

LOWER DOOR KIT



P/N 2879942

APPLICATION

Verify accessory fitment at Polaris.com.

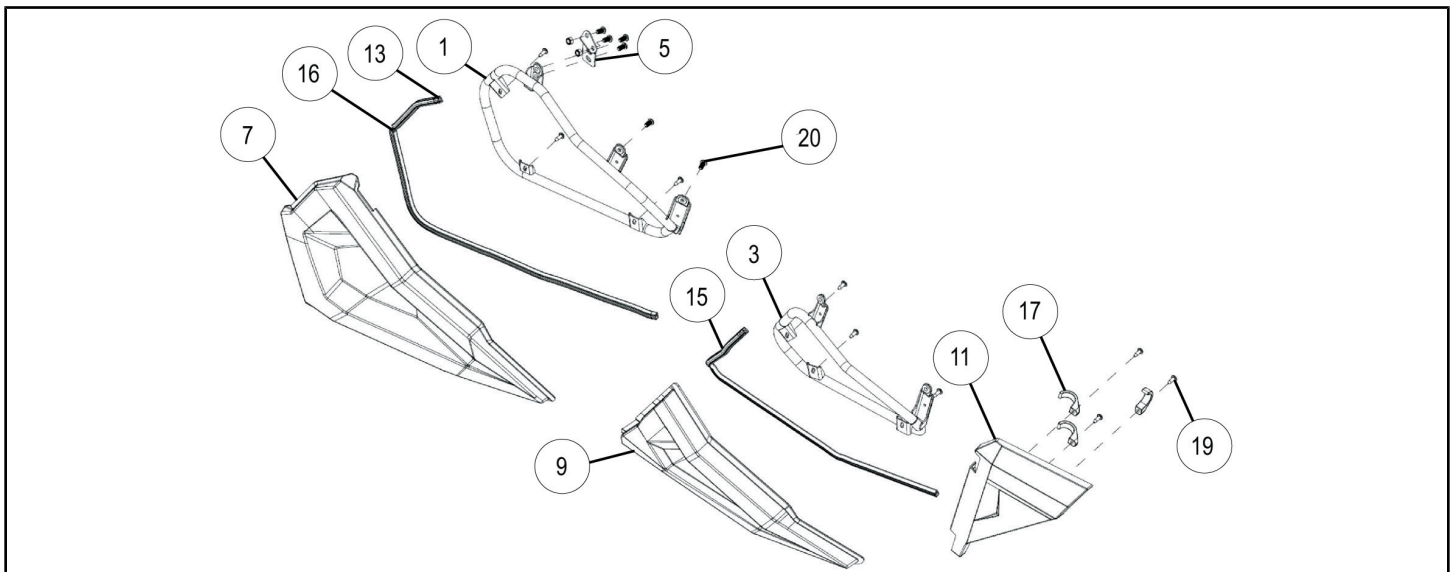
BEFORE YOU BEGIN

Read these instructions and check to be sure all parts and tools are accounted for. Please retain these installation instructions for future reference and parts ordering information.

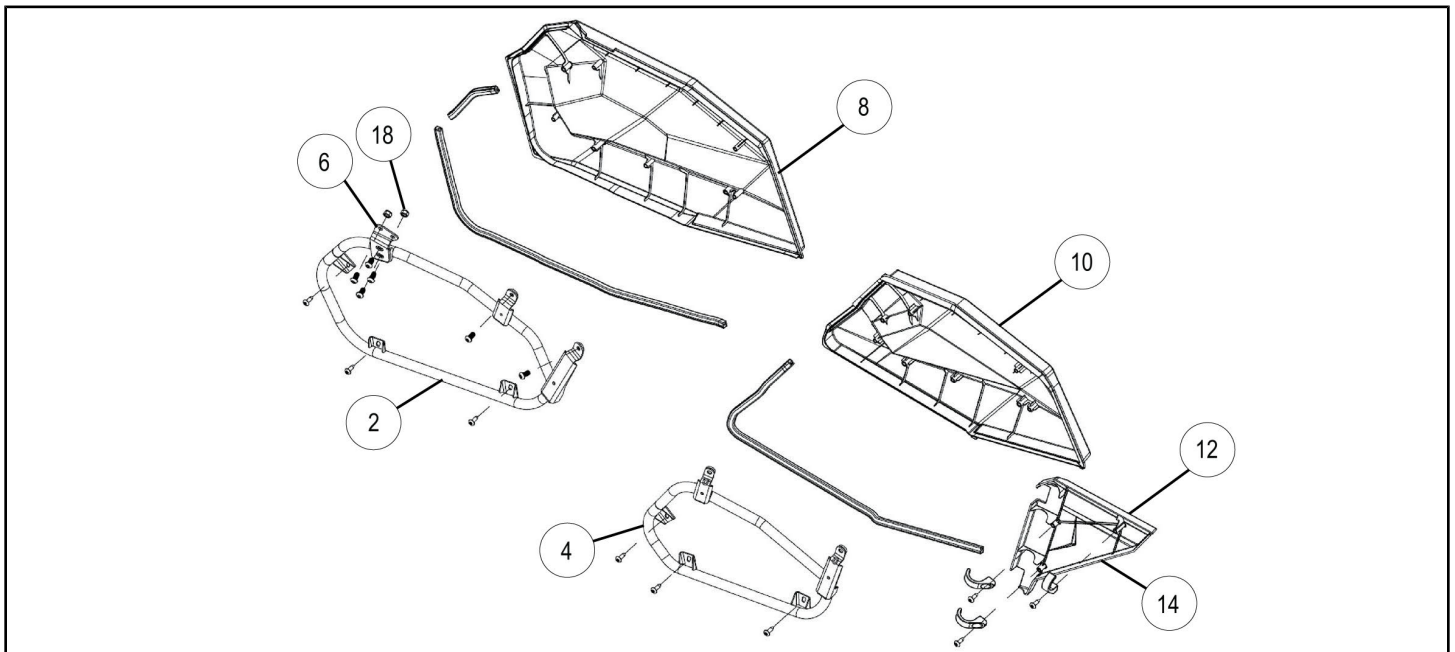
KIT CONTENTS

This Kit includes:

LHS



RHS



REF	QTY	PART DESCRIPTION	PART NUMBER
1	1	Frame, Lower Door, LH Front	1019994
2	1	Frame, Lower Door, RH Front	1019999
3	1	Frame, Lower Door, LH Rear	-
4	1	Frame, Lower Door, RH Rear	-
5*	1	Mount, Lower Door, LH Front	-
6*	1	Mount, Lower Door, RH Front	-
7	1	Panel, Lower Door, LH Front	5450616
8	1	Panel, Lower Door, RH Front	5450617
9	1	Panel, Lower Door, LH Rear	5450973
10	1	Panel, Lower Door, RH Rear	5450974
11	1	Panel, Bolster, LH Rear	5450755
12	1	Panel, Bolster, RH Rear	5450756
13*	2	Seal, Lower Door, Short	5522024-180
14*	2	Seal, Bolster	5522024-450
15*	2	Seal, Lower Door, Rear	5522024-828
16*	2	Seal, Lower Door, Long	5522024-837
17*	6	Clamp, J-Mount	5139082
18*	4	Nut - M8 X 1.25	7547144
19*	18	Screw, Torx® Hi/Lo - #14 X 3/4	7519045
20*	16	Screw, Torx® Button Head - M8 X 1.25 X 16	-
	1	Instructions	9924818

Items marked (*) are included in Hardware Kit PN 2205290.

TOOLS REQUIRED

- Safety Glasses
- Socket Set, Metric
- Socket Set, Torx® Bit
- Torque Wrench
- Wrench Set, Metric

IMPORTANT

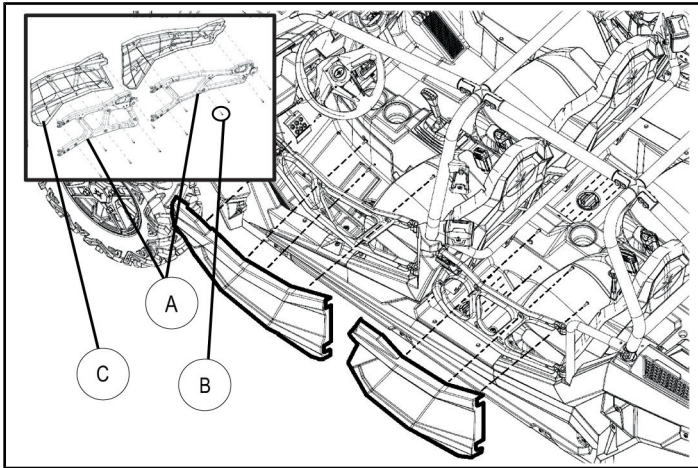
Your LOWER DOOR KIT is exclusively designed for your vehicle. Please read the installation instructions thoroughly before beginning. Installation is easier if the vehicle is clean and free of debris. For your safety, and to ensure a satisfactory installation, perform all installation steps correctly in the sequence shown.

ASSEMBLY TIME

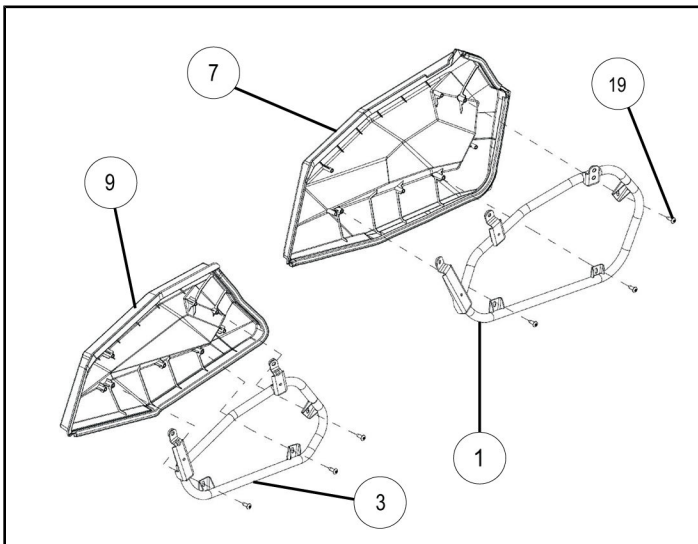
Approximately 50–60 minutes

INSTALLATION INSTRUCTIONS

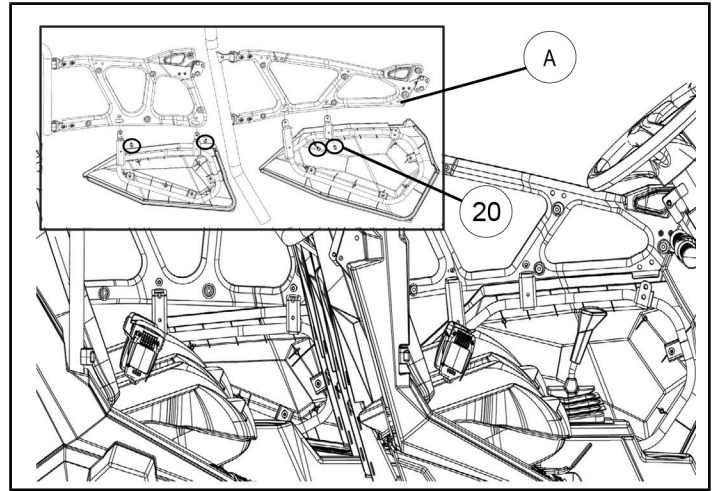
1. Shift vehicle transmission into "PARK". Turn key to "OFF" position and remove from vehicle.
2. Remove front and rear upper door panels (C) from upper door frames (A) by removing six screws (B) from each panel as shown. Retain screws.



3. Loosely install lower door panels (7) and (9) to lower door frames (1) and (3) using three screws (19) per door as shown.



4. Slide lower door subassembly brackets into slots in upper door frame (A), then loosely install two screws (20) per door as shown.



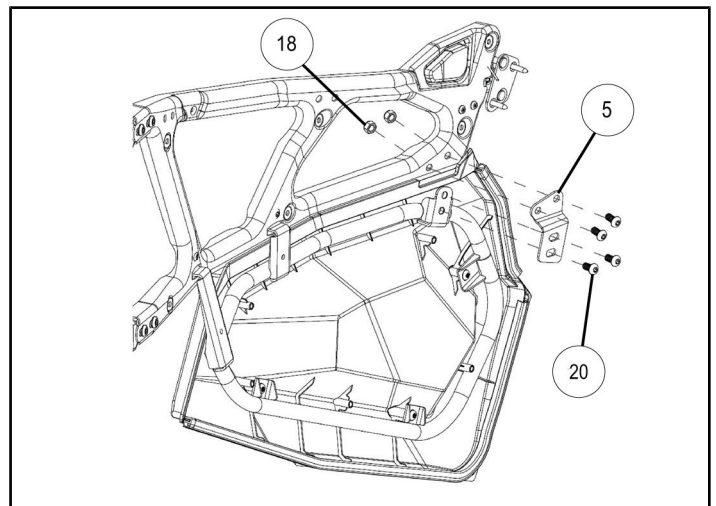
5. Install lower door mount (5) using four screws (20) and two nuts (18) as shown. Torque UPPER two screws to specification.

TORQUE

11 ft. lbs. (15 Nm)

NOTE

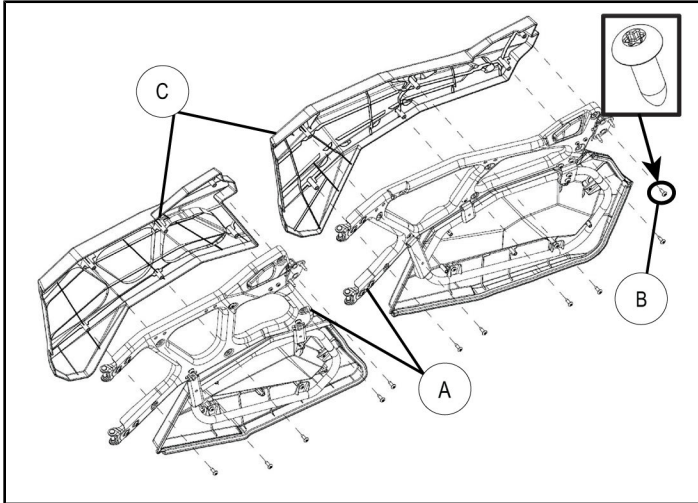
Do not tighten lower two screws at this time.



6. Reinstall front and rear upper door panels (C) to upper door frames (A) as shown using six retained screws (B) removed in Step 2. Torque to specification.

TORQUE

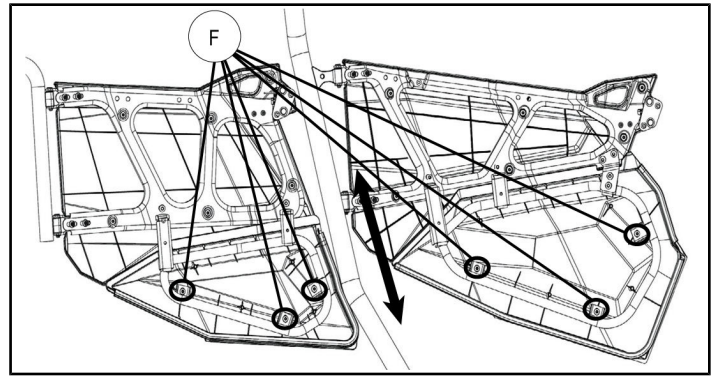
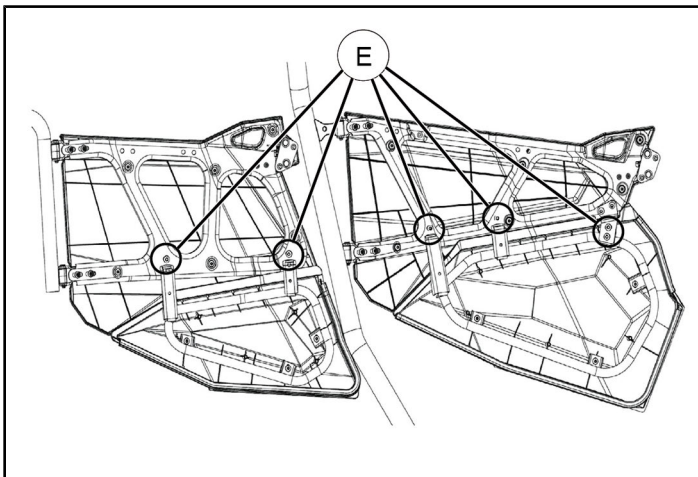
2 ft. lbs. (3 Nm)



7. Adjust lower door panels (7) and (9) using six slots (E) for horizontal adjustment and six slots (F) for vertical adjustment as shown. Torque screws to specification.

TORQUE

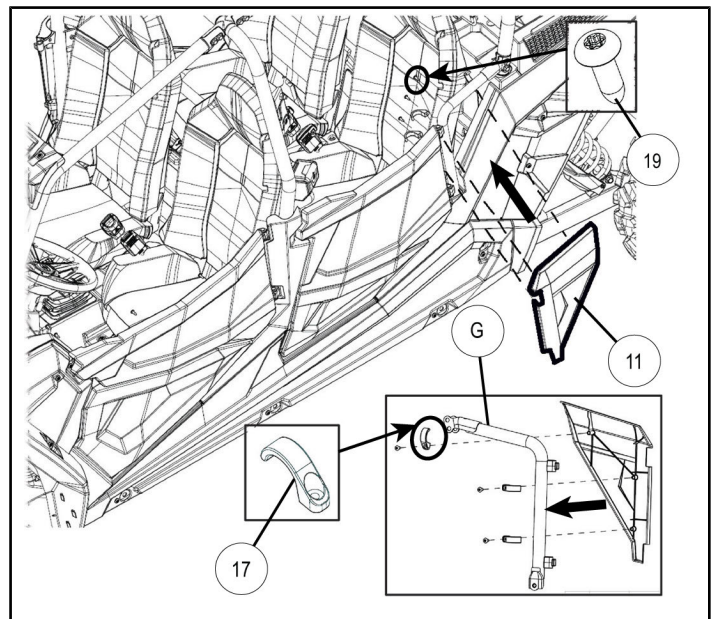
Slots E: 11 ft. lbs. (15 Nm)
Slots F: 2 ft. lbs. (3 Nm)



8. Install bolster panel (11) to bolster (G) using three each J-mount clamps (17) and screws (19) as shown.

TORQUE

2 ft. lbs. (3 Nm)



9. Repeat Steps 2–8 for RH side using lower door frames (2) and (4), lower door panels (8) and (10), lower door mount (6), and bolster panel (12). Torque to specification.