



AUTHENTIC ACCESSORIES

2019 CATALOG

U.S.A.



ONLY AUTHENTIC INDIAN MOTORCYCLE®
ACCESSORIES SHARE YOUR BIKE'S SOUL. THEY'RE
THE ONLY ONES THAT BELONG ON YOUR BIKE,
AND THEY KEEP IT A TRUE INDIAN MOTORCYCLE®.
PREMIUM LEATHER, BRILLIANT CHROME,
DYNAMIC PERFORMANCE, AND METICULOUS
CRAFTSMANSHIP. KEEP IT AUTHENTIC WITH
INDIAN MOTORCYCLE® ACCESSORIES.

INTRO
2-9

SCOUT®
10-25

INDIAN® CHIEF®
26-45

CHIEF® VINTAGE &
INDIAN SPRINGFIELD®
46-69

CHIEFTAIN®
70-91

ROADMASTER®
92-109

AUDIO
110-113

COLOR-MATCHED
ACCESSORIES
114-117

GARAGE
118-125



| | |
|-----------------------|-----------|
| Scout® Family | 10 |
| Engine Performance | 16 |
| Storage & Luggage | 17 |
| Seats & Backrests | 18 |
| Protection | 19 |
| Handlebars & Controls | 20 |
| Electrical | 21 |
| Wheels & Suspension | 21 |
| Crafted Style Pieces | 22 |

| | |
|---|-----------|
| Chief® Vintage, Indian Springfield® Family | 46 |
| Engine Performance | 52 |
| Storage & Luggage | 54 |
| Seats & Backrests | 58 |
| Protection | 60 |
| Handlebars & Controls | 62 |
| Lighting & Electrical | 65 |
| Wheels & Suspension | 65 |
| Crafted Style Pieces | 66 |

| | |
|--------------------------|-----------|
| Chieftain® Family | 70 |
| Engine Performance | 74 |
| Storage & Luggage | 76 |
| Seats & Backrests | 80 |
| Protection | 82 |
| Handlebars & Controls | 84 |
| Lighting & Electrical | 87 |
| Wheels & Suspension | 87 |
| Crafted Style Pieces | 88 |

| | |
|---------------------------|-----------|
| Roadmaster® Family | 92 |
| Engine Performance | 94 |
| Storage & Luggage | 96 |
| Seats & Backrests | 98 |
| Protection | 100 |
| Handlebars & Controls | 102 |
| Lighting & Electrical | 104 |
| Wheels & Suspension | 105 |
| Crafted Style Pieces | 106 |

| | |
|---|-----------|
| Indian® Chief®, Chief® Classic & Chief Dark Horse® | 26 |
| Engine Performance | 30 |
| Storage & Luggage | 32 |
| Seats & Backrests | 34 |
| Protection | 36 |
| Handlebars & Controls | 38 |
| Lighting & Electrical | 41 |
| Crafted Style Pieces | 42 |

| | |
|----------------------------------|------------|
| Audio | 110 |
| Color-Matched Accessories | 114 |
| Garage | 118 |



POWERBAND™ AUDIO

TAKE A FRONT ROW SEAT



Thank you to 4onthefloor for their musical contribution to the PowerBand™ Audio launch.



2019

INTRO
2-9

SCOUT™
10-25

INDIAN™ CHIEF™
26-45

CHIEF™ VINTAGE &
INDIAN SPRINGFIELD™
46-69

CHIEFTAIN™
70-91

ROADMASTER™
92-109

AUDIO
110-113

COLOR-MATCHED
ACCESSORIES
114-117

GARAGE
118-125

INTRODUCING THE LOUDEST AUDIO



PowerBand™ Audio 5 1/4" Amplified Speaker Kit

POWERBAND™ AUDIO

- 5 1/4" Amplified Fairing Speaker Kit
- Upgraded Fairing Audio
- 30% Louder than Stock
- 9 Band Equalizer
- Pre-Tuned Settings
- Integrated with Ride Command®

IN INDIAN MOTORCYCLE® HISTORY



PowerBand™ Audio Plus 6 1/2" Amplified Speaker Kit

POWERBAND™ AUDIO PLUS™

- 5 1/4" Amplified Fairing Speaker Kit + 6 1/2" Amplified Saddlebag Speaker Kit
- Upgraded Fairing and Saddlebag Audio
- 50% Louder than Stock
- 9 Band Equalizer
- Pre-Tuned Settings
- Integrated with Ride Command®
- No Additional Amp Required

*Additional parts required



PowerBand™ Audio 5 1/4" Amplified Speaker Kit



PERFORMANCE LINEUP

POWER. CONTROL. PERFORMANCE.

STAGE 1

FOR THE RIDER WHO WANTS A THROATY EXHAUST NOTE AND MORE POWER ON TAP

RICH SOUND, MORE POWER

SCOUT® FAMILY



Stage 1 Straights Slip-On Exhaust Kit
Pg. 16



Performance Air Intake
5% More Horsepower
Pg. 16

THUNDER STROKE® 111 MODELS

REQUIRED



Thunder Stroke® Stage 1 Slip-On Exhaust Kit
Pg. 30, 52, 74, 94

CHOOSE ONE



Thunder Stroke® Stage 1 Performance Air Intake
Pg. 30, 52, 74, 94

Thunder Stroke® High Flow Air Intake
Pg. 30, 52, 74, 94

STAGE 2

FOR PERFORMANCE RIDERS WHO DEMAND MORE POWER & TORQUE

AN INSTANT POWER BOOST



Thunder Stroke® Stage 2 Performance Cams
13% More Horsepower & 7% More Torque
Pg. 30, 52, 74, 94

STAGE 3

EXPERIENCE QUICKER ACCELERATION AND SIGNIFICANTLY INCREASED TORQUE, WITHOUT SACRIFICING RELIABILITY

OUT-PERFORM THE COMPETITION



Thunder Stroke® 116 ci Stage 3 Big Bore Kit
20% More Horsepower & 13% More Torque
Pg. 30, 52, 74, 94
Kit 2884062 shown



2019

INTRO
2-9

SCOUT®
10-25

INDIAN® CHIEF®
26-45

CHIEF® VINTAGE &
INDIAN SPRINGFIELD®
46-69

CHIEFTAIN®
70-91

ROADMASTER®
92-109

AUDIO
110-113

COLOR-MATCHED
ACCESSORIES
114-117

GARAGE
118-125



CRAFTED TO FIT

FOR THUNDER STROKE® 111 MODELS AND THE SCOUT® FAMILY



2019

INTRO
2-9

SCOUT®
10-25

INDIAN® CHIEF®
26-45

CHIEF® VINTAGE &
INDIAN SPRINGFIELD®
46-69

CHIEFTAIN®
70-91

ROADMASTER®
92-109

AUDIO
110-113

COLOR-MATCHED
ACCESSORIES
114-117

GARAGE
118-125

REDUCED & EXTENDED REACH SEATS & CONTROLS

SIZE YOUR BIKE WITH SEATS, HANDLEBARS AND FOOT CONTROLS TO
CREATE A BIKE THAT IS CRAFTED TO FIT YOU.

REDUCED REACH

FOR RIDERS
5'6"
& UNDER

STOCK BIKES

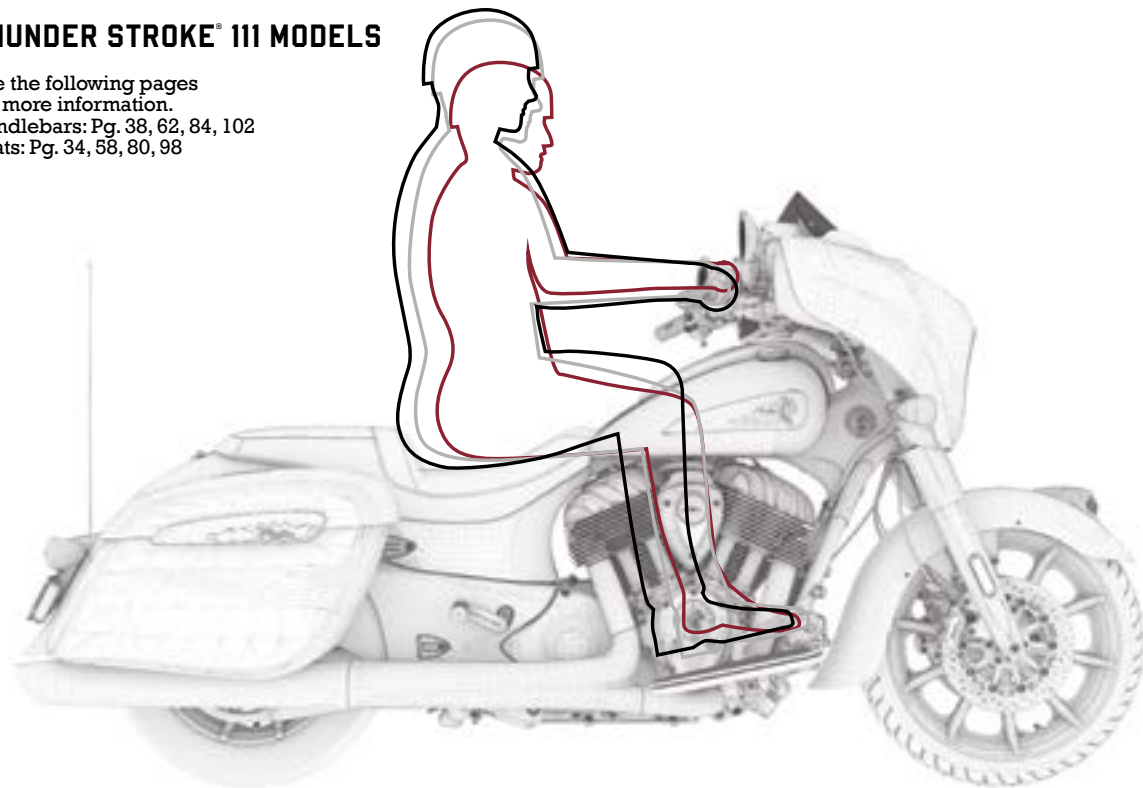
FOR RIDERS
5'7" TO
6'0"

EXTENDED REACH

FOR RIDERS
6'1"
& OVER

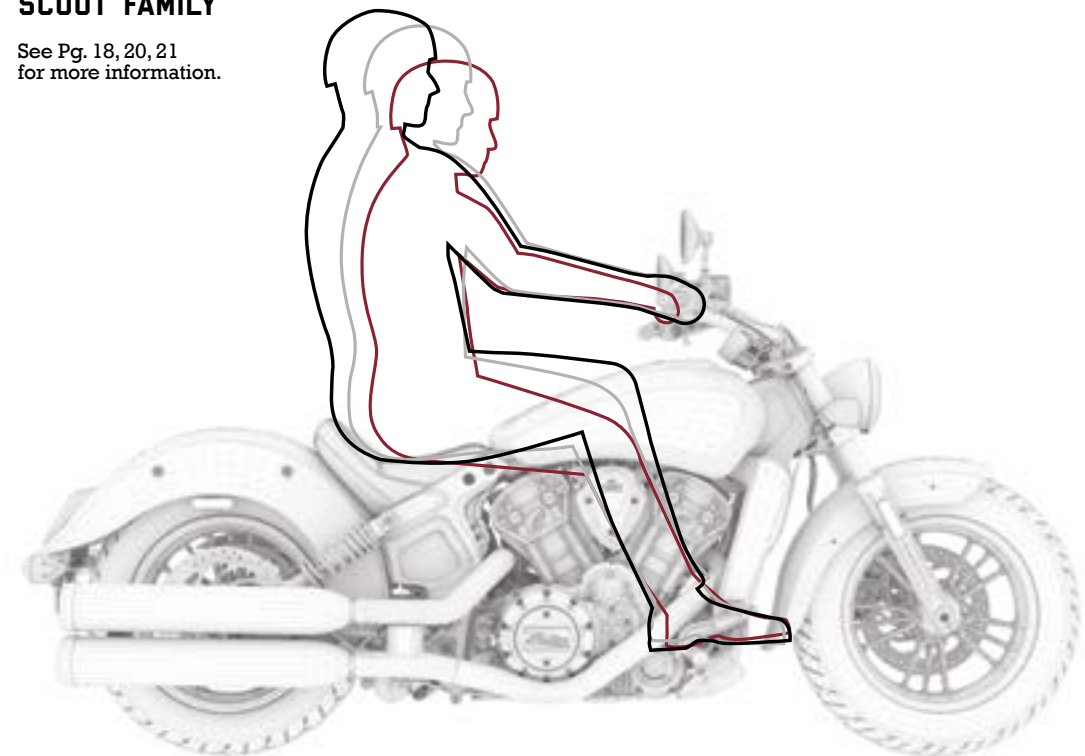
THUNDER STROKE® 111 MODELS

See the following pages
for more information.
Handlebars: Pg. 38, 62, 84, 102
Seats: Pg. 34, 58, 80, 98



SCOUT® FAMILY

See Pg. 18, 20, 21
for more information.





AUTHENTIC STYLE

Premium billet components infuse your Scout® Bobber with coordinated custom style that's enhanced by a set of laced wheels. The distinctive combo of ape hangers and the 1920 Solo Saddle Seat adds to its authentic style.

- 1. Billet Primary Cover, Pg 24
- 2. Solo Luggage Rack, Pg 17
- 3. Billet Midframe Cover, Pg 24
- 4. Billet Rider Pegs, Pg 25
- 5. Billet Front Caliper Cover, Pg 24
- 6. Stage I Straights Slip-On Exhaust Kit, Pg 16
- 7. 1920 Solo Saddle Seat, Pg 18



Scout

PERFORMANCE & STYLE

Experience greater performance and instant throttle response with a Stage 1 Exhaust Kit and complementary components. And give your Scout® a race-ready look with sporty and aggressive seating, bars, mirrors, and windscreen.



- 1. Indian® Performance Shocks by Fox®, Pg 21
- 2. 1901 Low Fly Windscreen, Pg 19
- 3. Rear Seat Fender Bolt, Pg 22
- 4. Sport Seat, Pg 18
- 5. Stage 1 Straights Slip-On Exhaust Kit & Exhaust Heat Shield, Pg 16



- 1. 19" Quick Release Windshield, Pg 19
- 2. Highway Bars, Pg 22
- 3. Genuine Leather Windshield Bag, Pg 17
- 4. Rider Floorboards, Pg 22
- 5. Solo Luggage Rack, Pg 17
- 6. Quick Release Genuine Leather Saddlebags, Pg 17

CARGO & COMFORT

With Scout® Sixty, it's easy to stow all your cargo conveniently and securely, and you can quickly install or remove your saddlebags as needed. Rider Floorboards enhance your comfort, and a Quick Release Windshield provides welcome protection.





5% Increase in HORSEPOWER

TOP SELLER

Performance Air Intake

2882519 \$104.99

This Performance Air Intake lets the engine inhale more freely and deliver more power, quicker acceleration, and crisper throttle response. This is a direct replacement for the stock motorcycle air intake and it's a perfect complement for the Stage 1 Straights Slip-On Exhaust Kit (sold separately). Dealer installation required. Fits model year 2015-2019.



Stage 1 Straights Slip-On Exhaust Kit

2882012-156 Chrome \$799.99
 2882012-266 Black \$799.99

Enhance the sound of your bike with this Stage 1 Straights Slip-On Exhaust system. Compliant with SAE J2825 standard. Does not void factory warranty. This complete kit conveniently includes the required Calibration Code that upgrades the Engine Control Module (ECM) software from stock to Stage 1, allowing this kit to be properly installed by your dealer. No additional software purchase necessary. Each kit is designated with a warning triangle to indicate the restrictions that may apply. Black exhaust kit is recommended with Exhaust Heat Shield (2883482-266), sold separately for Scout® and Scout® Sixty models. Fits model year 2017-2019.



Exhaust Heat Shield

2883482-266 Black \$184.99

For riders favoring the low-profile blacked-out look, this Exhaust Heat Shield, when combined with a Stage 1 Straights Slip-On Exhaust Kit (sold separately), provides a quick and simple way to complete the blacked-out look of your bike. Engineered with a vented, steel design and matte black finish. Fits model year 2015-2019.

This kit meets EPA and CARB emission limits. Non-competition street use may violate federal noise limits. Please see inside back cover for further information.

50 state emissions compliant. Non-competition street use may violate federal noise limits. Indian Motorcycle® recognizes the importance of environmental laws that regulate exhaust and noise emissions and is committed to developing performance parts that allow motorcycle enthusiasts to modify their vehicles in a safe and responsible manner for racing applications. Emissions / Safety: Federal and many state laws prohibit the removal, modification, or rendering inoperative any part installed on motor vehicles by Indian Motorcycle® affecting emissions or safety on motor vehicles manufactured for use on a public street or highway. Violation may result in fines. International markets, please consult your local laws for additional information. Noise: Certain Indian Motorcycle® performance parts are subject to noise-related usage restrictions. The warning statement for these parts includes the statement, "Non-competition street use may violate federal noise limits." These products are designed for use on closed course competition motorcycles only and do not conform to U.S. EPA noise emission standards. Use on motorcycles subject to EPA noise regulations constitutes tampering and is a violation of Federal law unless it can be shown that such use does not cause the motorcycle to exceed applicable Federal Standards.



2019

INTRO
2-9

SCOUT®
10-25

INDIAN® CHIEF™
26-45

CHIEF™ VINTAGE &
INDIAN SPRINGFIELD™
46-69

CHIEFTAIN™
70-91

ROADMASTER™
92-109

AUDIO
110-113

COLOR-MATCHED
ACCESSORIES
114-117

GARAGE
118-125



Saddlebag

2882518-01 Black \$279.99

Fits model year 2018-2019 Scout® Bobber.



TOP SELLER

QUICK RELEASE

Genuine Leather Saddlebags

2880234-01 Black \$929.99
 2880234-05 Desert Tan \$1029.99

Requires Quick Release Accessory Mounting Spools (2881166), sold separately. Fits model year 2015-2019 Scout® & Scout® Sixty.



Genuine Leather Windshield Bag

2880901-01 Black \$194.99
 2880901-05 Desert Tan \$194.99

Windshield required (2880236-156, 2880237-156 or 2880835-156), sold separately. Fits model year 2015-2019 Scout® & Scout® Sixty.



Genuine Leather Tank Pouch

2880619-01 Black \$154.99
 2880619-05 Desert Tan \$174.99

Does not fit Apple® iPhone® 6 or larger. Fits model year 2015-2019.



Solo Rack Bag

2882854-LNA Black* \$259.99

Fits model year 2018-2019 Scout® Bobber.
 *Shown attached to the Solo Luggage Rack (2882516-266), sold separately.



Sissy Bar Luggage Rack

2881539-156 Chrome* (shown) \$204.99
 2881539-658 Black \$204.99
 2880233-650 Titanium** (shown) \$204.99

Requires the following Backrest Pad (2880827-01, -05), *Quick Release Passenger Sissy Bar (2880232-156 or -658), **Bolt On Passenger Sissy Bar (2881127-650), each sold separately. Fits model year 2015-2019 Scout® & Scout® Sixty.



Solo Luggage Rack

2882516-266 Black \$239.99

Fits model year 2018-2019 Scout® Bobber.



TOP SELLER

Solo Luggage Rack

2880900-156 Chrome \$204.99

Fits model year 2015-2019 Scout® & Scout® Sixty.

QUICK RELEASE

Quick Release Accessory Mounting Spools

2881166 \$154.99



Required to mount quick release saddlebags and/or the Quick Release or Bolt-On Passenger Sissy Bar to your motorcycle. Fits model year 2015-2019.

SCOUT®, SCOUT® SIXTY & SCOUT® BOBBER
SEATS & BACKRESTS

Extended Reach Seat

2880240-01 Black \$204.99
 2880240-05 Desert Tan \$259.99



All weather black vinyl. Genuine leather desert tan. Recommended for riders 6'1" & over. Fits model year 2015-2019 Scout® & Scout® Sixty.

1920 Solo Saddle Seat

2880905-01 Black \$389.99
 2880905-05 Desert Tan \$389.99



Made from genuine leather. Kit includes close-off for Scout® and Scout® Sixty. Scout® Bobber requires 1920 Solo Saddle Seat Close-Off (2882718), sold separately to cover subframe and battery. Fits model year 2015-2019.

Sport Seat

2881997-01 Black \$259.99
 2881997-05 Desert Tan \$259.99



Add a sleek and modern seat to your bike. All weather black vinyl with genuine grab strap. Fits model year 2015-2019 Scout® & Scout® Sixty.

Passenger Seat

2883055-LNA \$339.99



Requires Passenger Pegs (2882251-650, -626), sold separately. Made from genuine leather that matches the stock rider seat. Fits model year 2018-2019 Scout® Bobber.

TOP SELLER

Backrest Pad

2880827-01 Black \$164.99
 2880827-05 Desert Tan \$204.99



Requires Driver Backrest Support (2880231-156, 2880985-156, or 2880871-156), Quick Release Passenger Sissy Bar (2880232-156, -658), Bolt On Passenger Sissy Bar (2881127-650), each sold separately. All weather black vinyl. Genuine leather desert tan. Fits model year 2015-2019 Scout® & Scout® Sixty.

TOP SELLER

QUICK RELEASE

Quick Release Passenger Sissy Bar

2880232-156 Chrome \$409.99
 2880232-658 Black \$409.99



Requires Backrest Pad (2880827-01, -05) and Mounting Spools (2881166), each sold separately. Fits model year 2015-2019 Scout® & Scout® Sixty.

Rider Backrest Support

2880231-156 Standard \$149.99
 2880985-156 Reduced Reach \$149.99
 2880871-156 Extended Reach \$149.99



Bolts into place at back of driver seat. Requires Backrest Pad (2880827-05, -01), sold separately. Standard recommended with standard Scout® and Scout® Sixty seats. Reduced Reach recommended with the Reduced Reach Seat. Extended Reach recommended with the Extended Reach Seat. Fits model year 2015-2019 Scout® & Scout® Sixty.

Reduced Reach Seat

2880241-01 Black \$204.99
 2880241-05 Desert Tan \$259.99



All weather black vinyl. Genuine leather desert tan. Recommended for riders 5'6" & under. Fits model year 2015-2019 Scout® & Scout® Sixty.

1920 Solo Saddle Seat Close-Off

2882718 \$49.99



Covers frame and battery when 1920 Solo Saddle Seat (2880905-05, -01, required, sold separately) is installed. Fits model year 2018-2019 Scout® Bobber.

Touring Passenger Seat

2880903-01 Black \$259.99
 2880903-05 Desert Tan \$279.99



Wider for more comfort. Requires Passenger Pegs (2882251-650, -626), sold separately. All weather black vinyl. Genuine leather desert tan. Fits model year 2015-2019 Scout® & Scout® Sixty.

Passenger Seat with Sissy Bar

2882853-LNA \$409.99



Requires Passenger Pegs (2882251-650, -626), sold separately. Made from genuine leather that matches the stock rider seat. Fits model year 2018-2019 Scout® Bobber.

Passenger Seat

2880134-01 Black \$204.99
 2880134-05 Desert Tan \$204.99



Requires Passenger Pegs (2882251-650, -626), sold separately. All weather black vinyl. Genuine leather desert tan. Fits model year 2015-2019 Scout® & Scout® Sixty. Stock on 2018 Scout®.

Bolt-On Passenger Sissy Bar

2881127-650 Titanium Powder Coat Paint \$309.99



Requires Backrest Pad (2880827-01, -05) and Quick Release Accessory Mounting Spools (2881166), each sold separately. Fits model year 2015-2019 Scout® & Scout® Sixty.

SCOUT®, SCOUT® SIXTY & SCOUT® BOBBER
PROTECTION



QUICK RELEASE

24" Quick Release Windshield

2880835-156 \$464.99

Fits model year 2015-2019 Scout® & Scout® Sixty.



TOP SELLER

QUICK RELEASE

21" Quick Release Windshield

2880237-156 \$464.99

Fits model year 2015-2019 Scout® & Scout® Sixty.



QUICK RELEASE

19" Quick Release Windshield

2880236-156 \$464.99

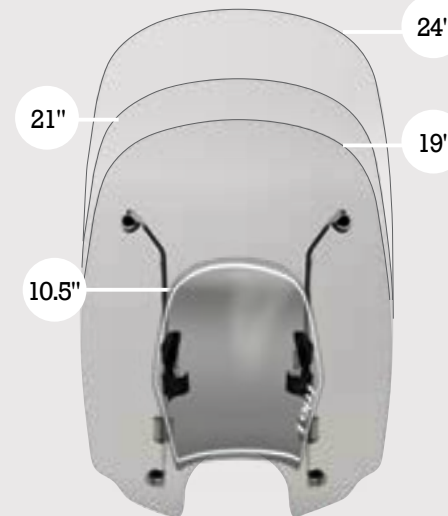
Fits model year 2015-2019 Scout® & Scout® Sixty.



1901 Low Fly Windscreen

2882010 \$204.99

Low fly dark tinted windscreen. Adds style to the front of the motorcycle. Fits model year 2015-2019 Scout® & Scout® Sixty.



Picking the Right Windshield

The 1901 Low Fly Windscreen will give your bike a style boost. For riders looking for wind protection, a windshield that stops shortly below eye level will prevent you from looking through bug splatter, while directing air over your head. For riders 5'6" and under, the 19" is recommended, for riders 5'6" to 6'1" the 21" is recommended and the 24" is recommended for riders 6'2" and above.

2880835-156 24" Quick Release Windshield

2880237-156 21" Quick Release Windshield

2880236-156 19" Quick Release Windshield

2882010 10.5" Low Fly Windscreen



2019

INTRO
2-9

SCOUT®
10-25

INDIAN® CHIEF®
26-45

CHIEF® VINTAGE &
INDIAN SPRINGFIELD®
46-69

CHIEFTAIN®
70-91

ROADMASTER®
92-109

AUDIO
110-113

COLOR-MATCHED
ACCESSORIES
114-117

GARAGE
118-125

**10" Ape Hanger Handlebar Kit**

2884012-266 Black \$154.99
 2880904-410 Polished Stainless \$154.99

Installation on Scout® Bobber requires Clutch Cable & Brake Line Kit, sold separately (see bottom of page for fitment information). Fits model year 2015-2019. Dealer installation required.

**Extended Reach Handlebar**

2880152-410 Polished Stainless \$154.99

Recommended for riders 6'1" & over. Installation on Scout® Bobber requires Clutch Cable & Brake Line Kit, sold separately (see bottom of page for fitment information). Fits model year 2015-2019. Dealer installation required.

**Reduced Reach Handlebar**

2880153-410 Polished Stainless \$154.99

Recommended for riders 5'6" & under. Installation on Scout® Bobber Clutch Cable & Brake Line Kit required, sold separately (see bottom of page for fitment information). Fits model year 2015-2019. Dealer installation required.

**1920 Beach Bar**

2882029-266 Black \$204.99

Installation on Scout® Bobber requires Clutch Cable & Brake Line Kit, sold separately (see bottom of page for fitment information). Fits model year 2015-2019. Dealer installation required.

**Drag Bar**

2883641-463 Black \$204.99

Fits model year 2015-2019 Scout® & Scout® Sixty. Stock on Scout® Bobber. Dealer installation required.

**Oversized Grips**

2881964-266 Black \$69.99

Black oversize grips with Scout® Logo. Fits model year 2015-2019.

**Handlebar Grips**

2882520-266 Black \$69.99

Open end handlebar grips for bar end mirrors. Fits model year 2015-2019.

**Clutch Cable & Brake Line Kit**

2883406 Non ABS models \$104.99
 2883864 2018-2019 ABS models \$104.99

Required for installation of accessory handlebars (listed above), sold separately. 2018-2019 Scout® Bobber requires 2883406, 2018-2019 Scout® Bobber with ABS requires 2883864. Fits model year 2018-2019 Scout® Bobber.

Reduced Reach Foot Controls

2880239-650 Titanium \$174.99
 2880239-626 Black (shown) \$174.99

Positions foot pegs and lower controls 2" closer than stock. Dealer installation recommended. Use stock foot pegs. Includes shortened shift linkage. Recommended for riders 5'6" & under. Fits model year 2015-2019 Scout® & Scout® Sixty.

**Extended Reach Foot Controls**

2880238-650* Titanium (shown) \$174.99
 2883271-626** Black \$174.99

Positions foot pegs and lower controls 2" farther forward than stock. Dealer installation recommended. Use stock foot pegs. Includes extended shift linkage. Recommended for riders 6'1" & over. *Fits model year 2015-2019 Scout® & Scout® Sixty. **Fits model year 2018-2019 Scout® Bobber.



SCOUT®, SCOUT® SIXTY & SCOUT® BOBBER

ELECTRICAL

NEW

USB Charging Port Harness

2883689 \$79.99

Kit makes it easy to charge or power phones, audio sources, or GPS while riding. Kit includes everything needed for easy installation and reliable power. Accepts standard USB connection. Will provide power to virtually any mobile electronic device. Fits model year 2019 Scout® Sixty.



NEW

USB Charging Port Kit

2883690 \$154.99

Kit makes it easy to charge or power phones, audio sources, or GPS while riding. Kit includes everything needed for easy installation and reliable power. Accepts standard USB connection. Will provide power to virtually any mobile electronic device. Fits model year 2014-2018. Stock on 2019 Scout® & Scout® Bobber.



SCOUT®, SCOUT® SIXTY & SCOUT® BOBBER

WHEELS & SUSPENSION

**Front Laced Wheel**

2880896-156 Chrome \$519.99
 2880896-266 Gloss Black \$519.99

Recommended with Front Tire, 130/90-16 (5415575), sold separately. Black option has chrome spokes and black rims. Fits model year 2015-2019.

Rear Laced Wheel

2880899-156 Chrome \$519.99
 2880899-266 Gloss Black \$519.99

Recommended with Rear Tire, 150/80-16 (5414555), sold separately. Black option has chrome spokes and black rims. Fits model year 2015-2019.

Indian® Performance Shocks by Fox®

2881790-463 Black \$929.99

Kit includes 2 shocks, spanner wrench and instructions. Preload adjustable, installs in place of stock shocks. Scout® Bobber gains 1" ride height. Fits model year 2015-2019.

These Indian® Scout® Performance Shocks are tuned specifically for the Indian® Scout® to optimize the bike's high-performance ride and handling. These shocks have a gas-charged mono-tube with internal floating piston (IFP). They give a rider wide-range rebound adjustability and the coil spring offers preload adjustability. They have advanced high-flow, deflective disk, velocity-sensitive damping, and are fully rebuildable and revalveable.



2019

INTRO
2-9SCOUT®
10-25INDIAN® CHIEF®
26-45CHIEF® VINTAGE &
INDIAN SPRINGFIELD®
46-69CHIEFTAIN®
70-91ROADMASTER®
92-109AUDIO
110-113COLOR-MATCHED
ACCESSORIES
114-117GARAGE
118-125

CRAFTED STYLE PIECES

2019

INTRO
2-9

SCOUT®
10-25

INDIAN® CHIEF™
26-45

CHIEF™ VINTAGE &
INDIAN SPRINGFIELD™
46-69

CHIEFTAIN™
70-91

ROADMASTER™
92-109

AUDIO
110-113

COLOR-MATCHED
ACCESSORIES
114-117

GARAGE
118-125



TOP SELLER

Highway Bars

2881756-156 Chrome \$309.99
2881756-266 Black \$309.99

Fits model year 2015-2019.



TOP SELLER

Passenger Pegs

2882251-650 Titanium* \$174.99
2882251-626 Black \$174.99

*Powder Coated Titanium. Fits model year 2015-2019.



TOP SELLER

Rider Floorboards

2883056-658 Black \$309.99

Forged aluminum driver floorboards to give the ride a more cruiser look and feel. Increases rider comfort. Fits model year 2015-2019.



TOP SELLER

Infinite Highway Pegs

2879572-156 Chrome \$309.99
2879572-266 Gloss Black \$309.99

Requires Highway Bars (2881756-156, -266), sold separately. Fits model year 2015-2019.



Primary Engine Cover

2881185-156 Chrome \$69.99
2881185-266 Black \$69.99
2881185-687 Bronze \$69.99

This Primary Engine Badge complements the bike's other accessories and features the Indian Motorcycle® script logo. Fits model year 2015-2019.



Head Light Bucket

2881328-156 Chrome \$89.99
2881328-687 Bronze \$89.99

This Head Light Bucket is a direct replacement for the stock headlight bucket and complements the other components and accessories on the bike. Fits model year 2015-2019.



Clutch & Brake Lever Kit

2883795-156 Chrome \$154.99
2883795-658 Black \$154.99
2883795-687 Bronze \$154.99

These Clutch & Brake Levers add style in a high-profile location on the bike. Levers install easily in place of the stock levers. Fits model year 2017-2019.



Exhaust End Caps

2881184-156 Chrome \$104.99
2881184-687 Bronze \$104.99

Exhaust End Caps enhance the custom treatment of Indian® Scout® and give the exhaust extra style. They install easily in place of the stock end caps. Only works with stock exhaust. Fits model year 2015-2019.



Belt Pulley Cover

2881326-156 Chrome \$204.99
2881326-687 Bronze \$204.99

This Belt Pulley Cover adds custom style and complements the bike's other chrome or bronze components and accessories (sold separately). Fits model year 2015-2019.



Clutch Arm Cover

2881188-156 Chrome \$69.99

This Clutch Arm Cover gives your bikes a clean, finished custom look, and it features a classic round Indian Motorcycle® logo. It installs easily and infuses a mechanical element with innovative custom style. Fits model year 2015-2019.



Speedometer Bezel

2881330-687 Bronze \$49.99

This bronze Speedometer Bezel adds handsome bronze color at a high-profile location and complements other bronze accessories on the bike (sold separately). Fits model year 2015-2019.



Wire Harness Cover

2880653-156 Chrome \$104.99

Add style to your bike with the Wire Harness Cover. The wire cover is a decorative plate with Indian Motorcycle® branding. It mounts right above the headlight and hides the wires in the front of the motorcycle. Fits model year 2015-2019 Scout® & Scout® Sixty.



Rear Seat Fender Bolt

2881187 Chrome \$39.99

This Seat Bolt features the classic Indian Motorcycle® headdress. It replaces the stock seat fender bolt and gives your bike a finished look. Fits model year 2015-2019.



Genuine Leather Lever Wraps

2880000-01 Black \$49.99
2880000-05 Desert Tan \$59.99

These Genuine Leather Lever Wraps install securely around your control levers and complement the other leather components on your Indian Motorcycle®. They provide a sure, comfortable grip on the levers, and give your Indian Motorcycle® a classic custom look that will always be in style. Fits model year 2015-2019.



Pinnacle Mirrors

2880132-156 Chrome \$154.99

These mirrors feature a dynamic, laterally tapered design and have Indian Motorcycle® script branding on the backsides. They are supported by forged arms for added strength and style. These mirrors directly replace the stock mirrors and provide outstanding visibility. Includes left and right-hand mirrors. Fits model year 2015-2019.



Black Mirrors

2881013-463 Black \$124.99

These Black Mirrors greatly enhance the style of your motorcycle by helping to complete the blacked-out styling. These mirrors directly replace the stock mirrors and provide outstanding visibility. Fits model year 2015-2019.



Upper Belt Guard

2881314-156 Chrome \$154.99

This Upper Belt Guard infuses an Indian® Scout® with additional bright chrome that coordinates with all of the bike's chrome components and accessories. It replaces the stock belt guard and delivers reliable protection for the belt. Fits model year 2015-2019.



Vented Upper Belt Guard

2882868-626 Black \$124.99

This Vented Upper Belt Guard infuses your bike with an extra dash of raw and aggressive style that complements the bike. Stock on 2018 Scout® Bobber. Fits model year 2015-2019.



Rear Fender Washers

2881186-156 Chrome \$39.99
2881186-687 Bronze \$39.99

To complete the custom treatment of an Indian® Scout®, install Rear Fender Washers to add bright style to the fender. Fits model year 2015-2019.



1920 Solo Saddle Grab Rail

2881963-156 Chrome \$204.99
2881963-266 Black \$204.99

Chrome or black finish to complete the look of the 1920 Solo Saddle Seat; required, sold separately. Scout® Bobber also requires the 1920 Solo Saddle Seat Close-Off, sold separately. Fits model year 2015-2019.





BILLET STYLE COLLECTION

This collection features authentic accessories that are made from forged billet aluminum. Choose between contrast cut or chrome to give your bike a high-quality custom look.

A. Billet Primary Cover

2881998-156 Chrome \$164.99
 2881998-468 Contrast Cut \$164.99



Fits model year 2015-2019.

B. Billet Stator Cover

2881999-156 Chrome \$164.99
 2881999-468 Contrast Cut \$164.99



Fits model year 2015-2019.

C. Billet Frame Neck Inserts

2882004-156 Chrome \$289.99
 2882004-468 Contrast Cut \$289.99



Fits model year 2015-2019.

D. Billet Midframe Cover

2882006-156 Chrome \$309.99
 2882006-468 Contrast Cut \$309.99



Fits model year 2015-2019.

E. Billet Front Caliper Cover

2882307-156 Chrome \$79.99
 2882307-468 Contrast Cut \$79.99



Fits model year 2017-2019.

F. Billet Shock Stem Cover Set

2882002-156 Chrome \$204.99
 2882002-468 Contrast Cut \$204.99



Fits model year 2015-2019.

G. Billet Shift / Brake Peg

2882005-156 Chrome \$59.99
 2882005-468 Contrast Cut \$59.99



Fits model year 2015-2019.

H. Billet Muffler Tip Set

2882003-156 Chrome \$259.99
 2882003-468 Contrast Cut \$259.99



Only compatible with stock exhaust. Fits model year 2015-2019.

I. Billet Shift Rods

| | | | | | |
|-----------------|----------------------|-----------------------|----------------------|----------------------|----------------------|
| Standard | | Extended Reach | | Reduced Reach | \$79.99 |
| 2881994-468 | Gloss Black Aluminum | 2881995-468 | Gloss Black Aluminum | 2881996-468 | Gloss Black Aluminum |
| 2881994-472 | | 2881995-472 | | 2881996-472 | |



Fits model year 2015-2019.

J. Billet Fender Strut Cover Set

2882007-156 Chrome \$184.99
 2882007-468 Contrast Cut \$184.99



Fits model year 2015-2019. Does not fit Scout® Bobber.

K. Billet Master Cylinder Covers

2882008-156 Chrome \$79.99
 2882008-468 Contrast Cut \$79.99



Fits model year 2015-2019.

L. Billet Ignition Cover

2882000-156 Chrome \$259.99
 2882000-468 Contrast Cut \$259.99



Fits model year 2015-2019. Does not fit Scout® Bobber.

M. Billet Thermostat Cover

2882001-156 Chrome \$259.99
 2882001-468 Contrast Cut \$259.99



Fits model year 2015-2019. Does not fit Scout® Bobber.

N. Billet Passenger Pegs

2882295-156 Chrome \$154.99
 2882295-468 Contrast Cut \$154.99



Fits model year 2015-2019. Does not fit Scout® Bobber.

O. Billet Rider Pegs

2882294-156 Chrome \$154.99
 2882294-468 Contrast Cut \$154.99



Fits model year 2015-2019.



- 1. Genuine Leather Passenger Seat, Pg 34
- 2. Thunder Stroke® High Flow Air Intake, Pg 30
- 3. Select Rider Floorboards, Pg 39
Select Toe Peg, Pg 39
Pinnacle Heel Shifter, Pg 39
& Select Heel Shifter Peg, Pg 39
- 4. Driving Lights, Pg 41
- 5. Pinnacle Mirrors, Pg 42
& Select Grips, Pg 38
- 6. Select Script Pegs, Pg 39

SELECT CUSTOM STYLE

Give your Chief® Classic distinctive, integrated, custom style with accessories from the Select Collection. And unleash higher performance with the Thunder Stroke® High Flow Air Intake.





GENUINE STYLE

Unleash extra power and a rich exhaust note with the Thunder Stroke® Stage 1 Slip-On Exhaust and Performance Air Intake. And give your Chief Dark Horse® distinctive, authentic style with Genuine Leather Rider and Passenger Seats and 16" Ape Hangers.



- 1. Genuine Leather Seat & Genuine Leather Passenger Seat, Pg 34
- 2. Select Rider Floorboards, Pg 39
- 3. Thunder Stroke® Stage 1 Performance Air Intake, Pg 30
- 4. 16" Ape Hanger Handlebar Kit, Pg 38
- 5. Select Toe Peg, Pg 39
- 6. Thunder Stroke® Stage 1 Slip-On Exhaust Kit, Pg 30
Fish Tail Exhaust Tips, Pg 31

INDIAN® CHIEF® CHIEF® CLASSIC & CHIEF DARK HORSE®
ENGINE PERFORMANCE



Thunder Stroke® Stage 1 Slip-On Exhaust Kit

2879768-156 Chrome \$699.99
 2879768-266 Matte Black \$699.99

Requires exhaust tips, sold separately. Compliant with SAE J2825 standard. Does not void factory warranty. This complete kit conveniently includes the required Calibration Code that upgrades the Engine Control Module (ECM) software from stock to Stage 1, allowing this kit to be properly installed by your dealer. No additional software purchase necessary. Each kit is designated with a warning triangle to indicate the restrictions that may apply. Fits model year 2014-2019.



Straight Exhaust Tips

2880671-156 Chrome \$259.99
 2880671-266 Matte Black \$259.99

Machined billet aluminum with the largest inner-diameter giving these straight tips the deepest sound. Requires Stage I Exhaust (2879768-156, -266), sold separately. Fits model year 2014-2019.



Fish Tail Exhaust Tips

2879532-156 Chrome \$204.99
 2879532-266 Matte Black \$204.99

Stamped steel and classic styling. Requires Stage I Exhaust (2879768-156, -266), sold separately. Fits model year 2014-2019.



TOP SELLER
Six Shooter Exhaust Tips

2879530-156 Chrome \$309.99
 2879530-266 Matte Black \$309.99

Choose between 4 different mounting screw hole locations to position the exhaust tips to suit your style. Made of cast aluminum. Requires Stage I Exhaust (2879768-156, -266), sold separately. Fits model year 2014-2019.



Grooved Billet Exhaust Tips

2880799-156 Chrome \$309.99
 2880799-266 Matte Black \$309.99

Most visible from the road. Made of billet aluminum. Requires Stage I Exhaust (2879768-156, -266), sold separately. Fits model year 2014-2019.



NEW
Thunder Stroke® Performance Clutch Kit

2883957 \$309.99

This Performance Clutch Kit enhances clutch durability and reliability on a bike equipped with Indian Motorcycle® high-performance stage kits. Fits model year 2014-2019.



Exhaust Shields

2883245 Matte Black \$289.99

Steel with a matte black finish. Direct replacement for existing heat shields. Fits model year 2014-2019. Stock on 2019 Chief Dark Horse®.



Oil Cooler

2880668 \$309.99

Installs in front of engine. Includes oil cooler assembly, oil lines, adapter and installation hardware. Fits model year 2016-2019.



TOP SELLER

Thunder Stroke® High Flow Air Intake

2880654-156 Chrome \$519.99
 2880654-266 Gloss Black \$519.99

Compliant with SAE J2825 standard. Does not void factory warranty. This complete kit conveniently includes the required Calibration Code that upgrades the Engine Control Module (ECM) software from stock to Stage I, allowing this kit to be properly installed by your dealer. No additional software purchase necessary. Each kit is designated with a warning triangle to indicate the restrictions that may apply. Fits model year 2014-2019.



TOP SELLER

Thunder Stroke® Stage 1 Performance Air Intake

2881779-156 Chrome \$519.99
 2881779-521 Matte Wrinkle Black \$519.99

Compliant with SAE J2825 standard. Does not void factory warranty. This complete kit conveniently includes the required Calibration Code that upgrades the Engine Control Module (ECM) software from stock to Stage I, allowing this kit to be properly installed by your dealer. No additional software purchase necessary. Each kit is designated with a warning triangle to indicate the restrictions that may apply. Fits model year 2014-2019.

3% increase in HORSEPOWER OVER STOCK AIR INTAKE

TOP SELLER

Thunder Stroke® Stage 2 Performance Cams

2881676 \$569.99

Requires Stage I Exhaust (2879768-156, -266) and either Thunder Stroke® High Flow Air Intake (2880654-156, -266) or Thunder Stroke® Stage I Performance Air Intake (2881779-156, -521). Increases horsepower 13% and increases torque 7%. Does not void factory warranty. This complete kit conveniently includes the required Calibration Code that upgrades the Engine Control Module (ECM) software from stock to Stage 2, allowing this kit to be properly installed by your dealer. No additional software purchase necessary. Each kit is designated with a warning triangle to indicate the restrictions that may apply. Fits model year 2014-2019.



over 13% more HORSEPOWER
over 7% more TORQUE

NEW

Thunder Stroke® 116 ci Stage 3 Big Bore Kit

2883921 2019 \$2749.99
 2884062 2014-2018 (shown) \$2749.99

This Stage 3 Performance 116 ci Big Bore Kit transforms a Thunder Stroke® III into a high-performance 116-ci power plant delivering 20% more horsepower and 15% more torque. This kit contains everything needed for the engine, including: connecting rods, new cylinders, big bore pistons, larger throttle body, and more. Also requires Stage I Exhaust, Exhaust Tips, and Thunder Stroke® Stage I Performance Air Intake or Thunder Stroke® High Flow Air Intake (each sold separately). Does not void factory warranty. This complete kit conveniently includes the required Calibration Code that upgrades the Engine Control Module (ECM) software from stock to Stage 3, allowing this kit to be properly installed by your dealer. No additional software purchase necessary. Each kit is designated with a warning triangle to indicate the restrictions that may apply. Fits model year 2014-2019.



20% more HORSEPOWER
15% more TORQUE

This kit meets EPA and CARB emission limits. Non-competition street use may violate federal noise limits. Please see inside back cover for further information.

50 state emissions compliant. Non-competition street use may violate federal noise limits. Indian Motorcycle® recognizes the importance of environmental laws that regulate exhaust and noise emissions and is committed to developing performance parts that allow motorcycle enthusiasts to modify their vehicles in a safe and responsible manner for racing applications. Emissions / Safety: Federal and many state laws prohibit the removal, modification, or rendering inoperative any part installed on motor vehicles by Indian Motorcycle® affecting emissions or safety on motor vehicles manufactured for use on a public street or highway. Violation may result in fines. International markets, please consult your local laws for additional information. Noise: Certain Indian Motorcycle® performance parts are subject to noise-related usage restrictions. The warning statement for these parts includes the statement, "Non-competition street use may violate federal noise limits." These products are designed for use on closed course competition motorcycles only and do not conform to U.S. EPA noise emission standards. Use on motorcycles subject to EPA noise regulations constitutes tampering and is a violation of Federal law unless it can be shown that such use does not cause the motorcycle to exceed applicable Federal Standards.

2019

INTRO
2-9

SCOUT®
10-25

INDIAN® CHIEF®
26-45

CHIEF® VINTAGE &
INDIAN SPRINGFIELD®
46-69

CHIEFTAIN®
70-91

ROADMASTER®
92-109

AUDIO
110-113

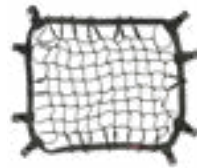
COLOR-MATCHED
ACCESSORIES
114-117

GARAGE
118-125

INDIAN® CHIEF®, CHIEF® CLASSIC & CHIEF DARK HORSE®
STORAGE & LUGGAGE

Cargo Net

2880299 Black \$34.99



Features Indian Motorcycle® branding and is made from strong nylon with elastic and plastic hooks. Recommended with the Pinnacle Solo Luggage Rack (2883403-156, -266) or the Pinnacle Trunk Rack (2880044-156), or Pinnacle Sissy Bar Luggage Rack (2880955-156, -266), each sold separately. Fits model year 2014-2019.

Genuine Leather Rear Highway Bar Bag

2880297-01 Black \$204.99
 2880297-05 Desert Tan \$229.99



Velcro® strips hold lid closed. Detachable genuine leather water bottle holder attaches to the left Rear Highway Bars (2879582-156, -266), required, sold separately. Fits model year 2014-2019.

Genuine Leather Tool Roll Insert

2880944-01 Black \$59.99
 2880944-05 Desert Tan \$69.99



Assemble your own assortment of tools to keep prepared, stow them away in the pockets and folds within this quality leather Tool Roll Insert and store them in the Genuine Leather Fork Bag (2879667-01, -05), sold separately — a perfect fit for convenient storage. Fits model year 2014-2019.

Genuine Leather Handlebar Bag

2879577-01 Black \$184.99
 2879577-05 Desert Tan \$204.99



Attaches securely to nacelle near handlebars. Formed liner maintains shape. Bag features a small strap for securing a power adapter/charger, which can be connected to the 12 Volt Power Cord (2880105), sold separately, to power small items while riding. Pinnacle Concho required (2879674-266, -639, -640, -670), sold separately. Fits model year 2014-2019.

QUICK RELEASE

Quick Release Accessory Mounting Kit

2879740 \$79.99



Quickly attach a Quick Release Passenger Sissybar (2880669-156 or 2880670-156, -266), required, sold separately. Fits model year 2014-2018.

NEW QUICK RELEASE

Quick Release Kit

2884045 \$154.99



Use this accessory to convert your Genuine Leather Saddlebags (2884005-02, -06), required, sold separately, to have Quick Release technology. Add or remove your saddlebags within seconds and without tools. Fender Strut Covers are also required and sold separately (5139598-156, -266 & 5139599-156, -266). Fits model year 2019.

Pinnacle Solo Luggage Rack

2883403-156 Chrome \$309.99
 2883403-266 Gloss Black \$309.99



Fits model year 2014-2019.

Genuine Leather Tank Pouch

2880142-01 Black \$104.99
 2880142-05 Desert Tan \$114.99



Felt lining, magnetic closure with three positions, sits on top of fuel tank for easy reach. Embossed Indian Motorcycle® branding. Fits model year 2014-2019.

Genuine Leather Fork Bag

2879667-01 Black \$154.99
 2879667-05 Desert Tan \$184.99



Attaches to motorcycle's forks. Mounting straps included. Pinnacle Concho required (2879674-266, -639, -640, -670), sold separately. 2016 Chief® Classic & Chief Dark Horse® require Driving Light Kit (2880732-156, -266, -463), sold separately. Fits model year 2014-2019.

NEW QUICK RELEASE

Genuine Leather Saddlebags

2884005-02 Black \$1389.99
 2884005-06 Tan \$1389.99



Premium leather exterior with durable molded interior. Strong buckles underneath leather straps. Strut Cover and Spool Kit (2883998-156, -266), required, sold separately. Fits model year 2014-2019.

NEW

Strut Cover & Spool Kit

2883998-156 Chrome \$309.99
 2883998-266 Black \$309.99



Install to easily attach a Quick Release Passenger Sissy Bar or Genuine Leather Saddlebags (sold separately). Fits model year 2014-2019.



2019

INTRO
2-9

SCOUT®
10-25

INDIAN® CHIEF®
26-45

CHIEF® VINTAGE &
INDIAN SPRINGFIELD®
46-69

CHIEFTAIN®
70-91

ROADMASTER®
92-109

AUDIO
110-113

COLOR-MATCHED
ACCESSORIES
114-117

GARAGE
118-125



NEW

Rogue Seat

2883663-VBA Black Vinyl \$409.99



Specially shaped cushioning. Integrates seats into stylish, single seat. Fits model year 2014-2019.

Genuine Leather Seat

2881765 Red \$464.99



Recommended with Genuine Leather Tank Strap (2882052-LRA), sold separately. Fits model year 2014-2019.

Genuine Leather Reduced Reach Heated Seat

2879578-02 Black \$619.99
2879578-06 Desert Tan \$699.99



Moves rider 1.5" forward. Fits model year 2014-2019 Chief® & Chief® Classic. Does not fit Chief Dark Horse®.

Genuine Leather Standard Heated Seat

2880733-02 Black \$619.99



Fits model year 2014-2019 Chief® & Chief® Classic. Does not fit Chief Dark Horse®.

Genuine Leather Touring Heated Seat

2882563-02 Black \$824.99
2882563-06 Desert Tan \$1129.99



Works with Quick Release Passenger Sissy Bar. Fits model year 2014-2019 Chief® & Chief® Classic. Does not fit Chief Dark Horse®.

NEW

Extended Reach Rogue Seat

2883664-VBA Black Vinyl \$409.99



Positions rider higher and 2" farther back than stock seat. Customized ergonomics for taller riders. Specially shaped cushioning. Integrates seats into stylish, single seat. Not compatible with rider backrest pads. Fits model year 2014-2019.

TOP SELLER

Passenger Seat

2880734-02 Heated Black w/ Studs* \$359.99
2880666 Black Vinyl w/ Studs** \$309.99
2882767-01 Black* \$309.99
2881766 Red* \$329.99



*Genuine Leather. **Leather look all weather black vinyl. Recommended with Passenger Pegs (2880667-626), sold separately. Heated option requires Genuine Leather Reduced Reach Heated Seat (2879578-02, -06) or Genuine Leather Heated Seat (2880733-02, -06), each sold separately. Fits model year 2014-2019.

TOP SELLER

Genuine Leather Passenger Backrest Pad

2879666-01 Black \$259.99
2879666-02 Black w/ Studs \$204.99
2879666-06 Desert Tan w/ Studs \$259.99
2879666-LRA Red w/ Studs \$259.99



Requires Quick Release Passenger Sissy Bar, sold separately. Fits model year 2014-2019.

TOP SELLER

Genuine Leather Rider Backrest Pad

2879542-01 Black \$389.99
2879542-02 Black w/ Studs \$359.99
2879542-06 Desert Tan w/ Studs \$389.99
2879542-LRA Red w/ Studs \$389.99
2879543 Backrest Mount (not shown) \$154.99



Does not work with Genuine Leather Extended Reach Seat. Requires Rider Backrest Mount (2879543), sold separately. Fits model year 2014-2019.

Genuine Leather Extended Reach Heated Seat

2882423-02 Black \$824.99
2882423-06 Desert Tan \$1029.99



Moves rider 2" back and 1" up. Moves passenger 1" up. Does not work with Genuine Leather Rider Backrest Pad. Fits model year 2014-2019 Chief® & Chief® Classic. Does not fit Chief Dark Horse®.

NEW

Rogue Rider Backrest Pad

2879542-VBA Black Vinyl \$389.99



This backrest pad coordinates with the Rogue Seat. It provides support to your lower back and keeps you in a comfortable, in-control position. Rider Backrest Mount (2879543), required, sold separately, is adjustable so you can customize your comfort. Fits model year 2014-2019.

TOP SELLER

Pinnacle Sissy Bar Luggage Rack

2880955-156 Chrome \$259.99
2880955-266 Gloss Black \$259.99



Requires Quick Release Passenger Sissy Bar (2880670-156, -266 or 2880669-156), sold separately. Fits model year 2014-2019.

TOP SELLER

QUICK RELEASE

Quick Release Passenger Sissy Bar

2880669-156 12" Standard Chrome (shown) \$449.99
2880670-156 14" Tall Chrome \$449.99
2880670-266 14" Tall Gloss Black \$449.99



Requires Quick Release Accessory Mounting Kit (2879740) and Passenger Backrest Pad (2879666-XX), each sold separately. Fits model year 2014-2018.

TOP SELLER

QUICK RELEASE

Quick Release Passenger Sissy Bar

2880832-156 12" Standard Chrome \$449.99
2880833-156 14" Tall Chrome (not shown) \$449.99
2880833-266 14" Tall Gloss Black \$449.99



Requires Passenger Backrest Pad (2879666-XX) and Strut Cover and Spool Kit (2883998-156, -266), each sold separately. Fits model year 2019.

Indian Motorcycle® Thunder Stroke® III models for 2019 now have a common spool mounting system.

NEW

Rogue Passenger Backrest Pad

2879666-VBA Black Vinyl \$259.99



Coordinates with the Rogue Seat. Provides cushioned back support for comfort and security. Passengers ride with confidence-inspiring support. Mounts on the Quick Release Passenger Sissy Bar (required, sold separately). Fits model year 2014-2019.

QUICK RELEASE

Quick Release Accessory Mounting Kit

2879740 \$79.99



Install to easily attach a Quick Release Passenger Sissy Bar or Genuine Leather Saddlebags (sold separately). Fits model year 2014-2018.

2019

INTRO

2-9

SCOUT®

10-25

INDIAN® CHIEF®

26-45

CHIEF® VINTAGE & INDIAN SPRINGFIELD®

46-69

CHIEFTAIN®

70-91

ROADMASTER®

92-109

AUDIO

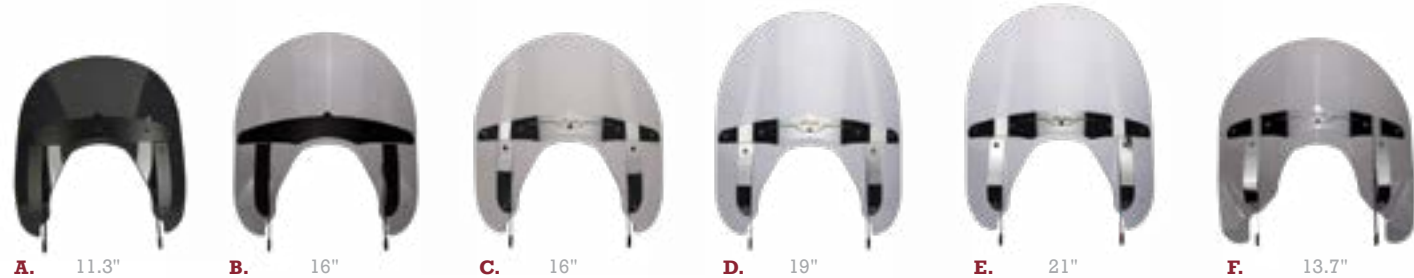
110-113

COLOR-MATCHED ACCESSORIES

114-117

GARAGE

118-125



QUICK RELEASE

Quick Release Windshields & Deflectors

- A. 2880724 11.3" Quick Release Wind Deflector - Tinted \$569.99
- B. 2879574-02* 16" Quick Release Windshield - Tinted \$619.99
- C. 2880725 16" Quick Release Windshield - Tinted \$569.99
- D. 2879575* 19" Quick Release Windshield - Clear \$569.99
- E. 2879576* 21" Quick Release Windshield - Clear \$619.99

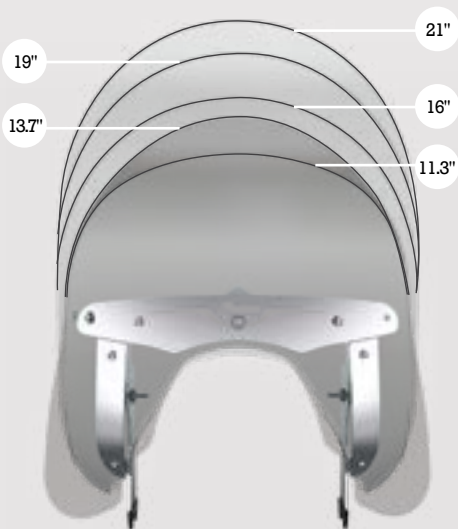
*Requires Top Mounted Spool Kit (2881476), sold separately for 2016-2019 models. Fits model year 2014-2019.

QUICK RELEASE

Quick Release Flare Windshield

- F. 2882220 13.7" Quick Release Flare Windshield - Tinted \$619.99

13.7" tall. Includes mounting brackets. Requires Top Mounted Spool Kit (2881476), sold separately for 2016-2019 models. Fits model year 2014-2019.



Picking the Right Windshield

The 11.3" Wind Deflector and the 13.7" Flare Windshield will give your bike a style boost. For riders looking for wind protection, a windshield that stops shortly below eye level will prevent you from looking through bug splatter, while directing air over your head. For riders 5'6" and under, the 16" is recommended, for riders 5'6" to 6'1" the 19" is recommended and the 21" is recommended for riders 6'2" and above.

- 2879576** 21"
- 2879575** 19"
- 2880725** 16"
- 2882220** 13.7"
- 2880724** 11.3"

Mustache Bar Soft Closeouts

- 2880941-01 Black \$154.99

Fits Mustache Highway Bar (stock on certain models). Made from vinyl for increased resistance to wear and tear from rocks, bugs and rain. Fits model year 2014-2019.



Front Highway Bar Soft Closeouts

- 2881125 Black \$154.99

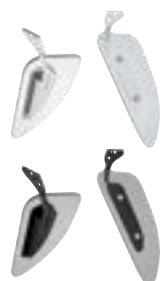
Requires Front Highway Bars or Classic Front Highway Bars (stock on certain models). Made from vinyl for increased resistance to wear and tear from rocks, bugs and rain. Fits model year 2014-2019.



Lower Wind Deflectors

- 2879548-156 Clear/Chrome \$184.99
- 2880786-463 Tinted/Black \$184.99

Set of two. Steel hardware and polycarbonate panels. Mounting hardware included. Fits model year 2014-2019.



Top Mounted Spool Kit

- 2881476 \$49.99

Easily add an accessory windshield to your Chief Dark Horse® or 2016 Chief® Classic. Required with select windshields. Fits model year 2016-2019.



NEW

Front Highway Bar

- 2884063-156 Chrome \$409.99
- 2884063-266 Gloss Black \$409.99

Fits model year 2014-2019. Required to install Hard Lower Fairings (2883984), sold separately.



Classic Front Highway Bar

- 2879581-156 Chrome \$409.99
- 2883407-266 Gloss Black \$409.99

Fits model year 2014-2019.



Mustache Highway Bar

- 2880287-156 Chrome \$409.99
- 2880287-266 Gloss Black \$359.99

Fits model year 2014-2019.



TOP SELLER

Rear Highway Bars

- 2879582-156 Chrome \$309.99
- 2879582-266 Gloss Black \$309.99

Fits model year 2014-2019.



Front Fender Bumper

- 2879551-156 Chrome \$204.99
- 2880750-266 Gloss Black \$204.99

Not compatible with Open Front Fender. Fits model year 2014-2019.



Rear Fender Bumper

- 2879550-156 Chrome \$154.99
- 2880751-266 Gloss Black \$154.99

Fits model year 2014-2019.

2019

INTRO
2-9

SCOUT®
10-25

INDIAN® CHIEF®
26-45

CHIEF® VINTAGE &
INDIAN SPRINGFIELD®
46-69

CHIEFTAIN®
70-91

ROADMASTER®
92-109

AUDIO
110-113

COLOR-MATCHED
ACCESSORIES
114-117

GARAGE
118-125



16" Ape Hanger Handlebar Kit

2882920-410 Polished Stainless \$309.99
 2883449-266 Gloss Black \$359.99

Dealer installation required. Includes Extended Clutch Cable.
 Fits model year 2018-2019.



Reduced Reach Handlebar

2882919-410 Polished Stainless \$204.99

Positions controls 2" closer. Fits model year 2018-2019.



Beach Bar Handlebar

2882921-410 Polished Stainless \$204.99
 2883448-266 Gloss Black \$204.99

Fits model year 2018-2019.



Heated Grips

2883268 Black \$309.99

Includes Wire Harness and Switch. Fits model year 2018-2019.



Select Grips

2882828-156 Chrome \$164.99
 2882828-468 Black \$164.99

Fits model year 2018-2019.

Select Rider Floorboards

2883021-156 Chrome \$519.99
 2883021-468 Black \$519.99

Fits model year 2014-2019.



Select Passenger Floorboards

2882866-156 Chrome \$409.99
 2882866-468 Black \$409.99
 2880288 Mount \$104.99

Requires Adjustable Passenger Floorboard Mounts (2880288), sold separately. Fits model year 2014-2019.



Select Toe Peg

2880728-156 Chrome \$59.99
 2880728-468 Black \$59.99

Installs in place of the stock toe shifter peg and adds a great looking accessory to your Indian Motorcycle®. Fits model year 2014-2019.



Select Heel Shifter Peg

2880729-156 Chrome \$49.99
 2880729-468 Black \$49.99

Attaches to the stock heel shifter in two integrated mounting points. Fits model year 2014-2019.



TOP SELLER

Infinite Highway Pegs

2879572-156* Chrome \$309.99
 2879572-266* Gloss Black \$309.99

Fits model year 2014-2019.



Pinnacle Passenger Peg Supports

2879993-156 Chrome \$149.99

Fits model year 2014-2019.



Toe Rests

2881848-156* Chrome \$174.99

Fits model year 2014-2019.



Headdress Rider Floorboard Pads

2879606-01 Polished Inlays \$204.99

Use the Headdress Rider Floorboard Pads with your standard floorboards for an extra boost of style. Fits model year 2014-2019.



TOP SELLER

Standard Passenger Floorboards

2880293 Chrome \$184.99
 2880288 Mount \$104.99

Requires Adjustable Passenger Floorboard Mounts (2880288), sold separately. Fits model year 2014-2019.



Select Script Pegs

2880106-156 Chrome \$154.99
 2880106-266 Black \$154.99

Can be installed on both the passenger pegs mount or highway bars peg mounts (highway bars, see page 37 and passenger pegs, 2879993-156 or 2880667-626, sold separately). Fits model year 2014-2019.



TOP SELLER

Pinnacle Heel Shifter

2880103-156 Chrome \$154.99
 2880103-463 Matte Black \$154.99

This heel shifter gives you the convenience and comfort of heel up-shifts and toe down-shifts. Fits model year 2014-2019.



TOP SELLER

Passenger Pegs

2880667-626 Matte Black \$204.99

Fits model year 2014-2019.



Mustache Highway Bar Foot Rest

2880866 \$49.99

Requires Mustache Highway Bar (2880287-156, -266), sold separately. Fits model year 2014-2019.



2019

INTRO
2-9

SCOUT®
10-25

INDIAN® CHIEF®
26-45

CHIEF® VINTAGE &
INDIAN SPRINGFIELD®
46-69

CHIEFTAIN®
70-91

ROADMASTER®
92-109

AUDIO
110-113

COLOR-MATCHED
ACCESSORIES
114-117

GARAGE
118-125

*Requires Mustache Highway Bar (2880287-156, -266), Classic Front Highway Bar (2879581-156, 2883407-266) or Front Highway Bar (2884063-156, -266), each sold separately.



INDIAN® CHIEF®, CHIEF® CLASSIC & CHIEF DARK HORSE®
LIGHTING & ELECTRICAL



2019

Pathfinder LED Headlight

2880289 \$409.99

Enhanced visibility with powerful, clean LED light. Branded with the Indian Motorcycle® script, "I". Dealer installation required. 2014 models require new VCM (4015220), sold separately. Fits model year 2014-2019.



Pathfinder LED Driving Lights

2880875 \$309.99

Dealer installation required. 2014 models require software update. 2016 Chief® Classic and 2016 Chief Dark Horse® require Driving Lights (2880732-156, -266, -463), sold separately. Fits model year 2014-2019.



Headdress Light

2880665-156 Chrome \$104.99
 2880665-266 Gloss Black \$104.99
 2880665-463 Matte Black \$124.99

Lit headdress to add classic Indian Motorcycle® styling for Valanced Fenders. Fits model year 2014-2019.



Rear Light Assembly

2880664-266 Gloss Black \$309.99

Use with existing tail light lens assembly. Fits model year 2014-2019.



Driving Lights

2880732-156 Chrome* (shown) \$289.99
 2880732-266 Gloss Black (shown) \$289.99
 2880732-463 Matte Black \$289.99

*Factory installed on 2014-2015 Chief Classic. Fits model year 2014-2019.



RAM Ball Mount

2880920 \$104.99

Fits on clutch perch. For RAM Ball accessories visit the RAM website. Fits model year 2014-2019.



12 Volt Power Cord

2880105 \$59.99

Recommended with Genuine Leather Fork Bag (2879667-01, -05) or Genuine Leather Handlebar Bag (2879577-01, -05), each sold separately. Allows 12v accessory power for inside Fork Bag. Fits model year 2014-2019.



INTRO
2-9

SCOUT®
10-25

INDIAN® CHIEF®
26-45

CHIEF® VINTAGE &
INDIAN SPRINGFIELD®
46-69

CHIEFTAIN®
70-91

ROADMASTER®
92-109

AUDIO
110-113

COLOR-MATCHED
ACCESSORIES
114-117

GARAGE
118-125

Strut Cover

2880662-266 Gloss Black \$309.99



Made from die-cast zinc metal with a quality powder coated gloss black finish. Fits model year 2014-2019.

Indian® Script License Plate Frame

2880800-156 Chrome* \$89.99
 2882863-156 Chrome \$89.99



*Check local laws as the frame may cover license plate information. Fits model year 2014-2019.

Pinnacle Fender Tip Accents

2879646-156 Chrome \$144.99
 2879646-266 Gloss Black \$144.99



Fits model year 2014-2019.

Fuel Gauge

2880731-156 Chrome \$204.99
 2880731-266 Gloss Black \$204.99



Fits model year 2014-2019.

Pinnacle Caliper Covers

2879991-156 Chrome \$154.99



Set of two with mounting hardware included. Stamped steel with chrome finish. Direct replacement for stock caliper covers. Fits model year 2014-2019.

Brake Banjo Bolt Cover

2880923-156 Chrome \$49.99



Chrome finish. Installs over existing brake banjo fitting. Fits model year 2014-2019.

Pinnacle Mirrors

2880132-156 Chrome \$154.99



These mirrors feature a dynamic, laterally tapered design and have Indian Motorcycle® script branding on the backsides. They are supported by forged arms for added strength and style. These mirrors directly replace the stock mirrors and provide outstanding visibility. Includes left and right-hand mirrors. Fits model year 2014-2019.

Pinnacle Oil Cooler Cover

2880138-156 Chrome \$79.99



Mounting hardware included. Model year 2016-2018 require Oil Cooler (2880668), sold separately. Fits model year 2014-2019.

Speedometer Bezel

2880723-266 Gloss Black \$49.99



Includes black power button. Fits model year 2014-2019.

Headdress License Plate Frame

2880801-156 Chrome* \$89.99
 2882864-156 Chrome \$89.99



*Check local laws as the frame may cover license plate information. Fits model year 2014-2019.

Pinnacle Solo Rider Grab Rail

2879604-156 Chrome \$259.99
 2880752-266 Gloss Black \$259.99



Fits model year 2014-2019.

Saddlebag Trim & Fender Trim

2881769 Black Saddlebag Trim \$69.99
 2880730 Black Fender Trim \$104.99



Fits model year 2014-2019.

Clutch Lifter Arm

2879992-156 Chrome \$49.99



Replaces stock clutch lifter arm. No additional hardware required. Fits model year 2014-2019.

Pinnacle Seat Bolt Cover

2880141-156 Chrome \$49.99



This chrome bracket covers the rear seat mounting bolt and has a chromed, knurled screw that prominently features Indian Motorcycle® branding. Fits model year 2014-2019.

Black Mirrors

2881013-463 Black \$124.99



These Black Mirrors greatly enhance the style of your motorcycle by helping to complete the blacked-out styling. These mirrors directly replace the stock mirrors and provide outstanding visibility. Fits model year 2014-2019.

Reduced Reach Side Stand

2881771-156 Chrome \$184.99
 2881771-463 Matte Black \$184.99



Allows shorter riders to reach the side stand while on the bike. Fits model year 2014-2019.

Black Dial Face Speedometer

2883444 Black \$204.99



This speedometer combines classic Indian Motorcycle® branding and a distinctive, black dial face for an iconic look every ride. Dealer installation required. Fits model year 2014-2019.

Backrest Plugs

2881788 \$19.99



Fits into open tubes of Quick Release Passenger Sissy Bar (required, sold separately) for a clean, finished custom look. Fits model year 2014-2019.

Black Dial Face Fuel Gauge

2883445-156 Black \$204.99



This gauge combines classic Indian Motorcycle® branding and a distinctive, black dial face for an iconic look every ride. Dealer installation required. Fits model year 2014-2019.

Cruiser Engine Cover Kit

- A. 2883322-09 Steel Gray \$124.99
- B. 2883322-10 Ivory Cream \$124.99
- C. 2883322-11 Gloss Pearl White \$124.99
- D. 2883322-12 Star Silver \$124.99
- E. 2883322-13 Thunder Black Pearl \$124.99



Clock-wise beginning top-left, this kit includes an Air Box Cover, Primary Cover, Horn Cover and Cam Cover. These components install in place of the stock covers and give the bike colorful and coordinated custom style. Fits model year 2014-2019.

Pinnacle Horn Cover

2879562-156 Chrome \$49.99



Fits model year 2014-2019.

Pinnacle Cam Cover

2879564-156 Chrome \$49.99



Fits model year 2014-2019.

Pinnacle Primary Cover

2879563-156 Chrome \$49.99



Fits model year 2014-2019.

Pinnacle Concho

2879674-266 Thunder Black \$49.99
 2879674-639 Indian Motorcycle® Red \$49.99
 2879674-640 Springfield Blue \$49.99
 2879674-670 Willow Green \$49.99



Kit includes two conchos. Fits model year 2014-2019.

Fuel Cap Set

2880663-266 Gloss Black \$89.99



Fits model year 2014-2019.

2019

INTRO

2-9

SCOUT®

10-25

INDIAN® CHIEF®

26-45

CHIEF® VINTAGE & INDIAN SPRINGFIELD®

46-69

CHIEFTAIN®

70-91

ROADMASTER®

92-109

AUDIO

110-113

COLOR-MATCHED ACCESSORIES

114-117

GARAGE

118-125

Genuine Leather Full Front Mustache Highway Bar Wraps

| | | |
|------------|------------|----------|
| 2880942-01 | Black | \$204.99 |
| 2880942-05 | Desert Tan | \$219.99 |

Requires Mustache Highway Bar (2880287-156), sold separately.
 Fits model year 2014-2019.



Genuine Leather Partial Front Mustache Highway Bar Wraps

| | | |
|------------|------------|----------|
| 2880943-01 | Black | \$154.99 |
| 2880943-05 | Desert Tan | \$164.99 |

Requires Mustache Highway Bar (2880287-156), sold separately.
 Fits model year 2014-2019.



Genuine Leather Front Mud Flap

| | | |
|------------|----------------------|---------|
| 2880008-01 | Black | \$89.99 |
| 2880008-05 | Desert Tan | \$89.99 |
| 2879583-01 | Black w/ Fringe | \$89.99 |
| 2879583-05 | Desert Tan w/ Fringe | \$89.99 |

Fits model year 2014-2019.



Genuine Leather Rear Mud Flap

| | | |
|------------|----------------------|---------|
| 2880009-01 | Black | \$89.99 |
| 2880009-05 | Desert Tan | \$89.99 |
| 2879584-01 | Black w/ Fringe | \$89.99 |
| 2879584-05 | Desert Tan w/ Fringe | \$89.99 |

Fits model year 2014-2019.



Genuine Leather Upper Saddlebag Fringe

| | | |
|------------|------------|----------|
| 2879879-01 | Black | \$104.99 |
| 2879879-05 | Desert Tan | \$134.99 |

Fits model year 2014-2019.



Genuine Leather Floorboard Trim

| | | |
|------------|---------------------|----------|
| 2880007-01 | Black | \$194.99 |
| 2880007-05 | Desert Tan | \$204.99 |
| 2880007-06 | Desert Tan w/ Studs | \$229.99 |

Fits model year 2014-2019.



Genuine Leather Floorboard Trim with Fringe

| | | |
|------------|---------------------|----------|
| 2879555-01 | Black | \$204.99 |
| 2879555-05 | Desert Tan | \$229.99 |
| 2879555-03 | Black w/ Studs | \$229.99 |
| 2879555-06 | Desert Tan w/ Studs | \$229.99 |

Fits model year 2014-2019.



Genuine Leather Tank Strap

| | | |
|-------------|-----|---------|
| 2882052-LRA | Red | \$49.99 |
|-------------|-----|---------|

Recommended with Genuine Leather Seat (2881765).
 Fits model year 2014-2019.



Genuine Leather Lever Wraps

| | | |
|------------|----------------------|---------|
| 2883473-01 | Black | \$49.99 |
| 2883473-05 | Desert Tan | \$59.99 |
| 2883472-01 | Black w/ Fringe | \$49.99 |
| 2883472-05 | Desert Tan w/ Fringe | \$59.99 |

Fits model year 2018-2019.



Genuine Leather Grip Wraps

| | | |
|------------|----------------------|---------|
| 2879999-01 | Black | \$59.99 |
| 2879999-05 | Desert Tan | \$69.99 |
| 2879553-01 | Black w/ Fringe | \$79.99 |
| 2879553-05 | Desert Tan w/ Fringe | \$89.99 |

Fits model year 2014-2019.



2019

INTRO
2-9

SCOUT®
10-25

INDIAN® CHIEF®
26-45

CHIEF® VINTAGE &
INDIAN SPRINGFIELD®
46-69

CHIEFTAIN®
70-91

ROADMASTER®
92-109

AUDIO
110-113

COLOR-MATCHED
ACCESSORIES
114-117

GARAGE
118-125



GENUINE LEATHER STYLE

Genuine leather accessories enhance the classic custom style of your Chief® Vintage, and Reduced Reach components enhance riding comfort and confidence. A stage 1 exhaust delivers a robust exhaust note, and stylish bags provide convenient storage solutions.

| | |
|---|---|
| Front Highway Bar Soft Closeouts, Pg 60 | 1 |
| Pinnacle Seat Bolt Cover, Pg 66 | 2 |
| Genuine Leather Fork Bag, Pg 54 | 3 |
| Genuine Leather Rear Highway Bar Bag, Pg 54 | 4 |
| Genuine Leather Handlebar Bag, Pg 54 & 12 Volt Power Cord, Pg 65 | 5 |
| Thunder Stroke® Stage I Slip-On Exhaust Kit & Fish Tail Exhaust Tips, Pg 52 | 6 |



OPEN ROAD

These innovative cargo solutions conveniently and securely hold all your gear for the long run, and stylish accessories from the Select Collection give your Indian Springfield® a distinctive custom look.

- Cargo Net & Deluxe Saddlebag Travel Bags, Pg 54 1
- Select Script Pegs, Pg 63 2
- Genuine Leather Tool Roll Insert, Pg 54 3
- Black Dial Face Speedometer & Black Dial Face Fuel Gauge, Pg. 67 4
- Pinnacle Solo Luggage Rack, Pg 54 5
- Mustache Bar Soft Closeouts, Pg 60 6



POWERFUL STYLE

The stage 1 exhaust kit and the High Flow Air Intake bring the thunder – and extra Thunder Stroke® power to own the road. Ape hangers and the Rogue Seat establish cool, modern style, while the highway bars create a distinctive, contemporary cruiser vibe.

- 1. Rogue Seat, Pg 58
- 2. 16" Ape Hanger Handlebar Kit, Pg 62
- 3. Quick Release Passenger Sissy Bar & Rogue Passenger Backrest Pad, Pg 59
- 4. Mustache Highway Bar, Pg 61
- 5. Cruiser Engine Cover Kit, Pg 67
- 6. Thunder Stroke® High Flow Air Intake, Pg 52
- 7. Thunder Stroke® Stage I Slip-On Exhaust Kit & Six Shooter Exhaust Tips, Pg 52

ENGINE PERFORMANCE



Chief® Vintage Thunder Stroke® Stage 1 Slip-On Exhaust Kit

2879768-156 Chrome \$699.99
2879768-266 Matte Black \$699.99

Requires exhaust tips, sold separately. Compliant with SAE J2825 standard. Does not void factory warranty. This complete kit conveniently includes the required Calibration Code that upgrades the Engine Control Module (ECM) software from stock to Stage I, allowing this kit to be properly installed by your dealer. No additional software purchase necessary. Each kit is designated with a warning triangle to indicate the restrictions that may apply. Fits model year 2014-2019 Chief® Vintage.



TOP SELLER
**Indian Springfield® Family
Thunder Stroke® Stage 1 Slip-On Exhaust Kit**

2879769-156 Chrome \$699.99
2879769-266 Matte Black \$699.99

Requires exhaust tips, sold separately. Compliant with SAE J2825 standard. Does not void factory warranty. This complete kit conveniently includes the required Calibration Code that upgrades the Engine Control Module (ECM) software from stock to Stage I, allowing this kit to be properly installed by your dealer. No additional software purchase necessary. Each kit is designated with a warning triangle to indicate the restrictions that may apply. Fits model year 2016-2019 Indian Springfield® & Indian Springfield® Dark Horse®.



Straight Exhaust Tips

2880671-156 Chrome \$259.99
2880671-266 Matte Black \$259.99

Machined billet aluminum with the largest inner-diameter giving these straight tips the deepest sound. Requires Stage I Exhaust (2879768-156, -266 or 2879769-156, -266), sold separately. Fits model year 2014-2019.



Fish Tail Exhaust Tips

2879532-156 Chrome \$204.99
2879532-266 Matte Black \$204.99

Stamped steel and classic styling. Requires Stage I Exhaust (2879768-156, -266 or 2879769-156, -266), sold separately. Fits model year 2014-2019.



TOP SELLER
Six Shooter Exhaust Tips

2879530-156 Chrome \$309.99
2879530-266 Matte Black \$309.99

Choose between 4 different mounting screw hole locations to position the exhaust tips to suit your style. Made of cast aluminum. Requires Stage I Exhaust (2879768-156, -266 or 2879769-156, -266), sold separately. Fits model year 2014-2019.



Grooved Billet Exhaust Tips

2880799-156 Chrome \$309.99
2880799-266 Matte Black \$309.99

Most visible from the road. Made of billet aluminum. Requires Stage I Exhaust (2879768-156, -266 or 2879769-156, -266), sold separately. Fits model year 2014-2019.



NEW
Thunder Stroke® Performance Clutch Kit

2883957 \$309.99

This Performance Clutch Kit enhances clutch durability and reliability on a bike equipped with Indian Motorcycle® high-performance stage kits. Fits model year 2014-2019.



Exhaust Shields

2883245 Matte Black \$289.99

Steel with a matte black finish. Direct replacement for existing heat shields. Fits model year 2014-2019. Stock on 2019 Indian Springfield® Dark Horse®.



Oil Cooler

2880668 \$309.99

Includes oil cooler assembly, oil lines, adapter and installation hardware. Fits model year 2016-2019.



TOP SELLER
Thunder Stroke® High Flow Air Intake

2880654-156 Chrome \$519.99
2880654-266 Gloss Black \$519.99

Compliant with SAE J2825 standard. Does not void factory warranty. This complete kit conveniently includes the required Calibration Code that upgrades the Engine Control Module (ECM) software from stock to Stage I, allowing this kit to be properly installed by your dealer. No additional software purchase necessary. Each kit is designated with a warning triangle to indicate the restrictions that may apply. Fits model year 2014-2019.



TOP SELLER
Thunder Stroke® Stage 1 Performance Air Intake

2881779-156 Chrome \$519.99
2881779-521 Matte Wrinkle Black \$519.99

Compliant with SAE J2825 standard. Does not void factory warranty. This complete kit conveniently includes the required Calibration Code that upgrades the Engine Control Module (ECM) software from stock to Stage I, allowing this kit to be properly installed by your dealer. No additional software purchase necessary. Each kit is designated with a warning triangle to indicate the restrictions that may apply. Fits model year 2014-2019.

3% increase in HORSEPOWER OVER STOCK AIR INTAKE

TOP SELLER
Thunder Stroke® Stage 2 Performance Cams

2881676 \$569.99

Requires Stage I Exhaust (2879768-156, -266) and either Thunder Stroke® High Flow Air Intake (2880654-156, -266) or Thunder Stroke® Stage I Performance Air Intake (2881779-156, -521). Increases horsepower 13% and increases torque 7%. Does not void factory warranty. This complete kit conveniently includes the required Calibration Code that upgrades the Engine Control Module (ECM) software from stock to Stage 2, allowing this kit to be properly installed by your dealer. No additional software purchase necessary. Each kit is designated with a warning triangle to indicate the restrictions that may apply. Fits model year 2014-2019.



over 13% more HORSEPOWER
over 7% more TORQUE

NEW
Thunder Stroke® 116 ci Stage 3 Big Bore Kit

2883921 2019 \$2749.99
2884062 2014-2018 (shown) \$2749.99

This Stage 3 Performance 116 ci Big Bore Kit transforms a Thunder Stroke® III into a high-performance 116-ci power plant delivering 20% more horsepower and 15% more torque. This kit contains everything needed for the engine, including: connecting rods, new cylinders, big bore pistons, larger throttle body, and more. Also requires Stage I Exhaust, Exhaust Tips, and Thunder Stroke® Stage I Performance Air Intake or Thunder Stroke® High Flow Air Intake (each sold separately). Does not void factory warranty. This complete kit conveniently includes the required Calibration Code that upgrades the Engine Control Module (ECM) software from stock to Stage 3, allowing this kit to be properly installed by your dealer. No additional software purchase necessary. Each kit is designated with a warning triangle to indicate the restrictions that may apply. Fits model year 2014-2019.



20% more HORSEPOWER
15% more TORQUE

This kit meets EPA and CARB emission limits. Non-competition street use may violate federal noise limits. Please see inside back cover for further information.

50 state emissions compliant. Non-competition street use may violate federal noise limits. Indian Motorcycle® recognizes the importance of environmental laws that regulate exhaust and noise emissions and is committed to developing performance parts that allow motorcycle enthusiasts to modify their vehicles in a safe and responsible manner for racing applications. Emissions / Safety: Federal and many state laws prohibit the removal, modification, or rendering inoperative any part installed on motor vehicles by Indian Motorcycle® affecting emissions or safety on motor vehicles manufactured for use on a public street or highway. Violation may result in fines. International markets, please consult your local laws for additional information. Noise: Certain Indian Motorcycle® performance parts are subject to noise-related usage restrictions. The warning statement for these parts includes the statement, "Non-competition street use may violate federal noise limits." These products are designed for use on closed course competition motorcycles only and do not conform to U.S. EPA noise emission standards. Use on motorcycles subject to EPA noise regulations constitutes tampering and is a violation of Federal law unless it can be shown that such use does not cause the motorcycle to exceed applicable Federal Standards.

2019

INTRO
2-9

SCOUT®
10-25

INDIAN® CHIEF®
26-45

CHIEF® VINTAGE &
INDIAN SPRINGFIELD®
46-69

CHIEFTAIN®
70-91

ROADMASTER®
92-109

AUDIO
110-113

COLOR-MATCHED
ACCESSORIES
114-117

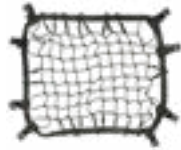
GARAGE
118-125



STORAGE & LUGGAGE

Cargo Net

2880299 Black \$34.99



Features Indian Motorcycle® branding and is made from strong nylon with elastic and plastic hooks. Recommended with the Pinnacle Solo Luggage Rack (2883403-156, -266) or the Pinnacle Trunk Rack (2880044-156) or Pinnacle Sissy Bar Luggage Rack (2880955-156, -266), each sold separately. Fits model year 2014-2019.

Saddlebag Lid Racks

2883402-156 Chrome \$359.99
2883402-266 Gloss Black \$359.99



Fits model year 2016-2019 Indian Springfield® & Indian Springfield® Dark Horse®.

Genuine Leather Rear Highway Bar Bag

2880297-01 Black \$204.99
2880297-05 Desert Tan \$229.99



Velcro® strips hold lid closed. Detachable genuine leather water bottle holder attaches to the left Rear Highway Bars (2879582-156, -266), required, sold separately. Fits model year 2014-2019.

Genuine Leather Handlebar Bag

2879577-01 Black \$184.99
2879577-05 Desert Tan \$204.99



Attaches securely to nacelle near handlebars. Formed liner maintains shape. Bag features a small strap for securing a power adapter/charger, which can be connected to the 12 Volt Power Cord (2880105), sold separately, to power small items while riding. Pinnacle Concho required (2879674-266, -639, -640, -670), sold separately. Fits model year 2014-2019.

NEW QUICK RELEASE

Genuine Leather Saddlebags

2884005-02 Black \$1389.99
2884005-06 Tan \$1389.99



Premium leather exterior with durable molded interior. Strong buckles underneath leather straps. Fits model year 2016-2019 Indian Springfield®, Indian Springfield® Dark Horse® and 2019 Chief® Vintage.

Deluxe Saddlebag Travel Bags

2880294 Black \$154.99



Fits model year 2016-2019 Indian Springfield® & Indian Springfield® Dark Horse®.

Pinnacle Solo Luggage Rack

2883403-156 Chrome \$309.99
2883403-266 Gloss Black \$309.99



Fits model year 2014-2019.

Genuine Leather Tank Pouch

2880142-01 Black \$104.99
2880142-05 Desert Tan \$114.99



Felt lining, magnetic closure with three positions, sits on top of fuel tank for easy reach. Embossed Indian Motorcycle® Branding. Fits model year 2014-2019.

Genuine Leather Fork Bag

2879667-01 Black \$154.99
2879667-05 Desert Tan \$184.99



Attaches to motorcycle's forks. Mounting straps included. Pinnacle Concho required (2879674-266, -639, -640, -670), sold separately. Fits model year 2014-2019.

Genuine Leather Tool Roll Insert

2880944-01 Black \$59.99
2880944-05 Desert Tan \$69.99



Assemble your own assortment of tools to keep prepared, stow them away in the pockets and folds within this quality leather Tool Roll Insert and store them in the Genuine Leather Fork Bag (2879667-01, -05), sold separately — a perfect fit for convenient storage. Fits model year 2014-2019.

Trunk Rack Bag

2881757-01 Black \$359.99
2881757-05 Desert Tan \$359.99



Includes mounting plates for the Solo Rack or Luggage Rack. Fits model year 2016-2019 Indian Springfield® & Indian Springfield® Dark Horse®.

Deluxe Trunk Travel Bag

2880295 Black \$144.99



Fits model year 2016-2019 Indian Springfield® & Indian Springfield® Dark Horse® equipped with an Quick Release Trunk (sold separately).



2019

INTRO
2-9

SCOUT®
10-25

INDIAN® CHIEF®
26-45

CHIEF® VINTAGE &
INDIAN SPRINGFIELD®
46-69

CHIEFTAIN®
70-91

ROADMASTER®
92-109

AUDIO
110-113

COLOR-MATCHED
ACCESSORIES
114-117

GARAGE
118-125

STORAGE & LUGGAGE - BUILD YOUR ACCESSORY TRUNK

Pump up your storage and organize your possessions with simple to install trunk accessories. Each trunk has ample storage space, enough to hold two full-face helmets. These trunks feature exceptional paint options, extra comfort and are the perfect addition to any ride.

STEP 1 - REQUIRED

NEW

Quick Release Trunk Base

2884048-156 Chrome \$519.99

Features Quick Release technology so riders can quickly remove their trunk without tools. Required for Quick Release Trunk. Mounts directly onto trunk to allow for trunk installation on bike. Made from steel with a chrome finish. Fits model year 2016-2019 Indian Springfield® & Indian Springfield® Dark Horse®.



STEP 2 - REQUIRED

NEW

Trunk Installation Kit

2884007 2019 (shown) \$154.99
2884008 2014-2018 \$154.99

Required for proper installation of an accessory Quick Release Trunk. Contains set of mounting spools and harnesses. Supplies electrical power to Quick Release Trunk. Fits model year 2014-2019.



STEP 2 - OPTIONAL

Add Audio

See audio system, page 110 for details.

STEP 3 - REQUIRED

QUICK RELEASE

Quick Release Trunk

2884046-XXX \$1849.99 - \$1949.99

Visit the painted parts section on page 116 for more information. Fits model year 2016-2019 Indian Springfield® & Indian Springfield® Dark Horse®.



STEP 4 - REQUIRED

NEW

Rogue Trunk Backrest Pad

2881009-VBA Black Vinyl \$359.99

Plush, cushioned backrest pads provide passenger with great comfort. Premium materials offer long-riding durability. Exterior surfaces are water-resistant, UV-resistant, and won't fade. Stylish, easy to clean and low maintenance. Fits model year 2016-2019 Indian Springfield® & Indian Springfield® Dark Horse®.



Genuine Leather Trunk Backrest Pad

2880284-02 Black \$359.99
2880284-06 Desert Tan \$499.99
2881009-02 Black, Non-quilted \$359.99

These backrests are recommended with coordinating genuine leather accessory seats or 2014-2019 stock Indian Springfield® or Indian Springfield® Dark Horse® seats on page 58. Fits model year 2016-2019 Indian Springfield® & Indian Springfield® Dark Horse®.



STEP 5 - OPTIONAL TRUNK ACCESSORIES

NEW

Rogue Passenger Armrest Pads

2880041-VBA Black Vinyl \$79.99

Plush, cushioned armrest pads provide great arm comfort. Premium materials offer long-riding durability. Exterior surfaces are water-resistant, UV-resistant, and won't fade. Stylish, easy to clean, low maintenance. Coordinates with the Rogue Seats. Armrest Support Kit (2880032-156) is required, sold separately. Fits model year 2016-2019 Indian Springfield® & Indian Springfield® Dark Horse®.



TOP SELLER

Trunk Passenger Armrest Support Kits & Genuine Leather Armrest Pads

2880041-01 Black \$79.99
2880041-05 Desert Tan \$104.99
2880032-156 Armrest Support Kit - Chrome \$339.99

Requires Quick Release Trunks (2884046-XXX). Fits model year 2016-2019 Indian Springfield® & Indian Springfield® Dark Horse®. See page 116 to choose your Quick Release Trunk color.



Pinnacle Trunk Rack

2880044-156 Chrome \$309.99

Requires Quick Release Trunk (2884046-XXX), sold separately. Fits model year 2016-2019 Indian Springfield® & Indian Springfield® Dark Horse®.



Trunk Organizer

2880298 Black \$49.99

Requires Quick Release Trunk (2884046-XXX), sold separately. Fits model year 2016-2019 Indian Springfield® & Indian Springfield® Dark Horse®.



Trunk Rack Bag

2881757-01 Black \$359.99
2881757-05 Desert Tan \$359.99

Includes mounting plates for the Solo Rack or Luggage Rack. Fits model year 2016-2019 Indian Springfield® & Indian Springfield® Dark Horse®.



Deluxe Trunk Travel Bag

2880295 Black \$144.99

Fits model year 2016-2019 Indian Springfield® & Indian Springfield® Dark Horse®.



Trunk Mirror

2880066 Black \$59.99

Requires Quick Release Trunk (2884046-XXX), sold separately. Fits model year 2016-2019 Indian Springfield® & Indian Springfield® Dark Horse®.



2019

INTRO
2-9

SCOUT®
10-25

INDIAN® CHIEF®
26-45

CHIEF® VINTAGE &
INDIAN SPRINGFIELD®
46-69

CHIEFTAIN®
70-91

ROADMASTER®
92-109

AUDIO
110-113

COLOR-MATCHED
ACCESSORIES
114-117

GARAGE
118-125

SEATS & BACKRESTS

NEW

Rogue Seat

2883663-VBA Black Vinyl \$409.99



Specially shaped cushioning. Integrates seats into stylish, single seat. Fits model year 2014-2019.

NEW

Extended Reach Rogue Seat

2883664-VBA Black Vinyl \$409.99



Positions rider higher and 2" farther back than stock seat. Customized ergonomics for taller riders. Specially shaped cushioning. Integrates seats into stylish, single seat. Not compatible with rider backrest pads. Fits model year 2014-2019.

NEW

Rogue Rider Backrest Pad

2879542-VBA Black Vinyl \$389.99



This backrest pad coordinates with the Rogue Seat. It provides support to your lower back and keeps you in a comfortable, in-control position. Rider Backrest Mount (2879543), required, sold separately, is adjustable so you can customize your comfort. Fits model year 2014-2019.

NEW

Rogue Passenger Backrest Pad

2879666-VBA Black Vinyl \$259.99



Coordinates with the Rogue Seat. Provides cushioned back support for comfort and security. Passengers ride with confidence-inspiring support. Mounts on the Quick Release Passenger Sissy Bar (required, sold separately). Fits model year 2014-2019.

Genuine Leather Seat

2881765 Red \$464.99



Recommended with Genuine Leather Tank Strap (2882052-LRA), sold separately. Fits model year 2014-2019.

TOP SELLER

Passenger Seat

2880734-02 Heated Black w/ Studs* \$359.99
 2880666 Black Vinyl w/ Studs** \$309.99
 2882767-01 Black* \$309.99
 2881766 Red* \$329.99



*Genuine Leather. **Leather look all weather black vinyl. Recommended with Passenger Pegs (2880667-626), sold separately. Heated option requires Genuine Leather Reduced Reach Heated Seat (2879578-02, -06) or Genuine Leather Heated Seat (2880733-02, -06), each sold separately. Fits model year 2014-2019.

TOP SELLER

Pinnacle Sissy Bar Luggage Rack

2880955-156 Chrome \$259.99
 2880955-266 Gloss Black \$259.99



Requires Quick Release Passenger Sissy Bar, sold separately. Fits model year 2014-2019.

Genuine Leather Reduced Reach Heated Seat

2879578-02 Black \$619.99
 2879578-06 Desert Tan \$699.99



Moves rider 1.5" forward. Fits model year 2014-2019.

TOP SELLER

Genuine Leather Passenger Backrest Pad

2879542-01 Black \$389.99
 2879542-02 Black w/ Studs \$359.99
 2879542-06 Desert Tan w/ Studs \$389.99
 2879542-LRA Red w/ Studs \$389.99
 2879543 Backrest Mount (not shown) \$154.99



Does not work with Genuine Leather Extended Reach Seat. Requires Rider Backrest Mount (2879543), sold separately. Fits model year 2014-2019.

TOP SELLER

QUICK RELEASE

Quick Release Passenger Sissy Bar

2880832-156 12" Standard Chrome \$449.99
 2880833-156 14" Tall Chrome (not shown) \$449.99
 2880833-266 14" Tall Gloss Black \$449.99



Requires Passenger Backrest Pad (2879666-XX), sold separately. Fits model year 2016-2019 Indian Springfield® & Indian Springfield® Dark Horse® & 2019 Chief® Vintage.

Genuine Leather Standard Heated Seat

2880733-02 Black \$619.99



Fits model year 2014-2019.

TOP SELLER

Genuine Leather Rider Backrest Pad

2879666-01 Black \$259.99
 2879666-02 Black w/ Studs \$204.99
 2879666-06 Desert Tan w/ Studs \$259.99
 2879666-LRA Red w/ Studs \$259.99



Requires Quick Release Passenger Sissy Bar, sold separately. Fits model year 2014-2019.

TOP SELLER

QUICK RELEASE

Quick Release Passenger Sissy Bar

2880669-156 12" Standard Chrome \$449.99
 2880670-156 14" Tall Chrome (not shown) \$449.99
 2880670-266 14" Tall Gloss Black \$449.99



Requires Passenger Backrest Pad (2879666-XX), sold separately. Fits model year 2014-2018 Chief® Vintage.

Genuine Leather Touring Heated Seat

2882563-02 Black \$824.99
 2882563-06 Desert Tan \$1129.99



Does not work with Quick Release Passenger Sissy Bar. Fits model year 2014-2019.

Genuine Leather Extended Reach Heated Seat

2882423-02 Black w/ Studs \$824.99
 2882423-06 Desert Tan w/ Studs \$1029.99



Moves rider 2" back and 1" up. Moves passenger 1" up. Does not work with Genuine Leather Rider Backrest Pad. -Fits model year 2014-2019.

2019

INTRO
2-9

SCOUT®
10-25

INDIAN® CHIEF®
26-45

CHIEF® VINTAGE &
INDIAN SPRINGFIELD®
46-69

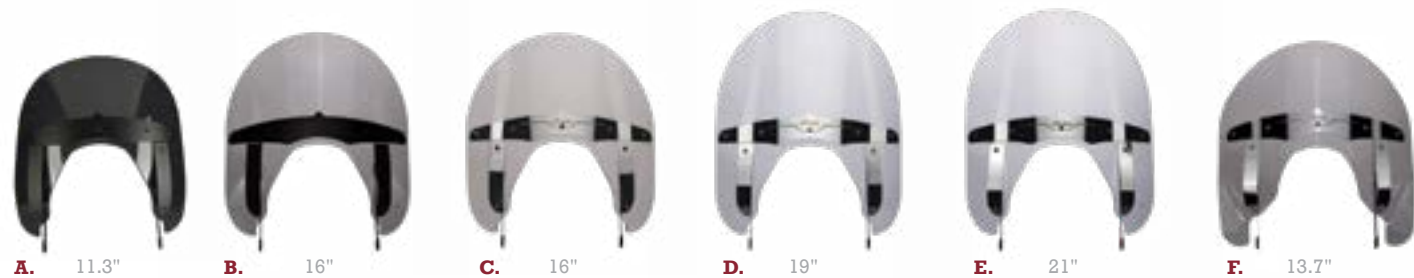
CHIEFTAIN®
70-91

ROADMASTER®
92-109

AUDIO
110-113

COLOR-MATCHED
ACCESSORIES
114-117

GARAGE
118-125



QUICK RELEASE

Chief® Vintage Quick Release Windshields & Deflectors

- A. 2880724 11.3" Quick Release Wind Deflector - Tinted \$569.99
- B. 2880725 16" Quick Release Windshield - Tinted \$569.99
- C. 2879574-02 16" Quick Release Windshield - Tinted \$619.99
- D. 2879575 19" Quick Release Windshield - Clear \$569.99
- E. 2879576 21" Quick Release Windshield - Clear \$619.99

Fits model year 2014-2019 Chief® Vintage.

QUICK RELEASE

Chief® Vintage Flare Windshield

- F. 2882220 13.7" Quick Release Flare Windshield - Tinted \$619.99

Fits model year 2014-2019 Chief® Vintage.

Picking the Right Windshield

The 11.3" Wind Deflector and the 14" Windshield will give your bike a style boost. For riders looking for wind protection, a windshield that stops shortly below eye level will prevent you from looking through bug splatter, while directing air over your head. For riders 5'6" and under, the 16" is recommended, for riders 5'6" to 6'1" the 19" is recommended and the 21" is recommended for riders 6'2" and above.



QUICK RELEASE

Indian Springfield® Quick Release Windshields & Deflectors

- A. 2883309-266 16" Quick Release Wind Deflector - Tinted \$569.99
- B. 2880916 16" Quick Release Windshield - Tinted \$619.99
- C. 2880915 21" Quick Release Windshield - Tinted \$619.99

Fits model year 2016-2019 Indian Springfield® & Indian Springfield® Dark Horse®.

QUICK RELEASE

Indian Springfield® Flare Windshield

- D. 2882221 14" Quick Release Flare Windshield - Tinted \$619.99
- E. 2883069-266 16" Quick Release Flare Windshield - Tinted \$569.99

Fits model year 2016-2019 Indian Springfield® & Indian Springfield® Dark Horse®.

Mustache Bar Soft Closeouts

- 2880941-01 Black \$154.99

Fits Mustache Highway Bar (stock on certain models). Made from vinyl for increased resistance to wear and tear from rocks, bugs and rain. Fits model year 2014-2019.



Front Highway Bar Soft Closeouts

- 2881125 Black \$154.99

Requires Front Highway Bars or Classic Front Highway Bars (stock on certain models). Made from vinyl for increased resistance to wear and tear from rocks, bugs and rain. Fits model year 2014-2019.



Chief® Vintage Lower Wind Deflectors

- 2879548-156 Clear/Chrome \$184.99
- 2880786-463 Tinted/Black \$184.99

Set of two. Steel hardware and polycarbonate panels. Mounting hardware included. Fits model year 2014-2019 Chief® Vintage.



Indian Springfield® Lower Wind Deflectors

- 2881023-156 Clear/Chrome \$259.99
- 2881024-156 Tinted/Chrome \$259.99

Fits model year 2016-2019 Indian Springfield® & Indian Springfield® Dark Horse®.



NEW

Front Highway Bar

- 2884063-156 Chrome \$409.99
- 2884063-266 Gloss Black \$409.99

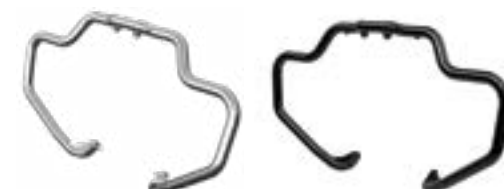
Fits model year 2016-2019 Indian Springfield® family & Chief® Vintage.



Classic Front Highway Bar

- 2879581-156 Chrome \$409.99
- 2883407-266 Gloss Black \$409.99

Chrome is stock on Chief® Vintage. Fits model year 2014-2019.



Mustache Highway Bar

- 2880287-156 Chrome \$409.99
- 2880287-266 Gloss Black \$359.99

Chrome Mustache Highway Bar is stock on Indian Springfield®, Black Mustache Highway is stock on 2018 Indian Springfield® Dark Horse®. Fits model year 2014-2019.



TOP SELLER

Rear Highway Bars

- 2879582-156 Chrome \$309.99
- 2879582-266 Gloss Black \$309.99

Chrome is stock on Indian Springfield®. Fits model year 2014-2019.



Front Fender Bumper

- 2879551-156 Chrome \$204.99
- 2880750-266 Gloss Black \$204.99

Not compatible with Open Front Fender. Fits model year 2014-2019.



Rear Fender Bumper

- 2879550-156 Chrome \$154.99
- 2880751-266 Gloss Black \$154.99

Fits model year 2014-2019.



Pinnacle Saddlebag Protector Rails

- 2880917-156 Chrome \$409.99

Fits model year 2016-2019 Indian Springfield® & Indian Springfield® Dark Horse®.

2019

INTRO
2-9

SCOUT®
10-25

INDIAN® CHIEF®
26-45

CHIEF® VINTAGE &
INDIAN SPRINGFIELD®
46-69

CHIEFTAIN®
70-91

ROADMASTER®
92-109

AUDIO
110-113

COLOR-MATCHED
ACCESSORIES
114-117

GARAGE
118-125



16" Ape Hanger Handlebar Kit

2882920-410 Polished Stainless \$309.99
 2883449-266 Gloss Black \$359.99

Dealer installation required. Includes Extended Clutch Cable.
 Fits model year 2018-2019.



Reduced Reach Handlebar

2882919-410 Polished Stainless \$204.99

Positions controls 2" closer. Fits model year 2018-2019.



Beach Bar Handlebar

2882921-410 Polished Stainless \$204.99
 2883448-266 Gloss Black \$204.99

Fits model year 2018-2019.



Heated Grips

2883268 Black \$309.99

Includes Wire Harness and Switch. Fits model year 2018-2019.



Select Grips

2882828-156 Chrome \$164.99
 2882828-468 Black \$164.99

Fits model year 2019.

Select Rider Floorboards

2883021-156 Chrome \$519.99
 2883021-468 Black \$519.99

Fits model year 2014-2019.



Select Passenger Floorboards

2882866-156 Chrome \$409.99
 2882866-468 Black \$409.99
 2880288 Mount* \$104.99

*Only Chief® Vintage requires mount.
 Fits model year 2014-2019.



Select Toe Peg

2880728-156 Chrome \$59.99
 2880728-468 Matte Black \$59.99

Installs in place of the stock toe shifter peg and adds a great looking accessory to your Indian Motorcycle®. Fits model year 2014-2019.



Select Heel Shifter Peg

2880729-156 Chrome \$49.99
 2880729-468 Matte Black \$49.99

Attaches to the stock heel shifter in two integrated mounting points. Fits model year 2014-2019.



TOP SELLER

Infinite Highway Pegs

2879572-156 Chrome \$309.99
 2879572-266 Gloss Black \$309.99

Fits model year 2014-2019.



Pinnacle Passenger Peg Supports

2879993-156 Chrome \$149.99

Fits model year 2014-2019.



Toe Rests

2881848-156 Chrome \$174.99

Requires a highway bar, sold separately, see page 61. Fits model year 2014-2019.



Headdress Rider Floorboard Pads

2879606-01 Polished Inlays \$204.99

Use the Headdress Rider Floorboard Pads with your standard floorboards for an extra boost of style. Fits model year 2014-2019.



TOP SELLER

Standard Passenger Floorboards

2880293 Chrome \$184.99
 2880288 Mount \$104.99

Chief® Vintage and Indian Springfield® Dark Horse® require Adjustable Passenger Floorboard Mounts (2880288), sold separately. Comes stock on Indian Springfield®. Fits model year 2014-2019.



Select Script Pegs

2880106-156 Chrome \$154.99
 2880106-266 Gloss Black \$154.99

Can be installed on both the passenger pegs mount or highway bars peg mounts (highway bars, see page 61 and passenger pegs, 2879993-156 or 2880667-626, sold separately). Requires Pinnacle Passenger Peg Supports (2879993-156) or Passenger Pegs (2880667-626), each sold separately. Fits model year 2014-2019.



TOP SELLER

Pinnacle Heel Shifter

2880103-156 Chrome \$154.99
 2880103-463 Matte Black \$154.99

This heel shifter gives you the convenience and comfort of heel up-shifts and toe down-shifts. Fits model year 2014-2019.



TOP SELLER

Passenger Pegs

2880667-626 Matte Black \$204.99

Comes stock on Chief® Vintage. Fits model year 2016-2019.



Mustache Highway Bar Foot Rest

2880866 \$49.99

Chief® Vintage requires Mustache Highway Bar (2880287-156, -266), sold separately. Mustache Highway Bar comes stock on Indian Springfield® & 2018 Indian Springfield® Dark Horse®. Fits model year 2016-2019.



2019

INTRO
2-9

SCOUT®
10-25

INDIAN® CHIEF®
26-45

CHIEF® VINTAGE &
INDIAN SPRINGFIELD®
46-69

CHIEFTAIN®
70-91

ROADMASTER®
92-109

AUDIO
110-113

COLOR-MATCHED
ACCESSORIES
114-117

GARAGE
118-125



CHIEF® VINTAGE, INDIAN SPRINGFIELD® & INDIAN SPRINGFIELD® DARK HORSE®
LIGHTING & ELECTRICAL



2019

Pathfinder LED Headlight

2880289 \$409.99

Enhanced visibility with powerful, clean LED light. Branded with the Indian Motorcycle® script, "I". Dealer installation required. 2014 models require new VCM (4015220), sold separately. Fits model year 2014-2019.



Pathfinder LED Driving Lights

2880875 \$309.99

Fits model year 2014-2019.



Headress Light

2880665-156 Chrome \$104.99
 2880665-266 Gloss Black \$104.99
 2880665-463 Matte Black \$124.99



Lit headress to add classic Indian Motorcycle® styling for Valenced Fenders. Does not work with Open Front Fender (288276I-XXX). Fits model year 2014-2019.

Rear Light Assembly

2880664-266 Gloss Black \$309.99

Stock on Indian Springfield® Dark Horse®. Fits model year 2014-2019.



Driving Lights

2880732-156 Chrome (shown) \$289.99
 2880732-266 Gloss Black (shown) \$289.99
 2880732-463 Matte Black \$289.99



Chrome is stock on Chief® Vintage. Fits model year 2014-2019 Chief® Vintage.

RAM Ball Mount

2880920 \$104.99

Fits on clutch perch. For RAM Ball accessories visit the RAM website. Fits model year 2014-2019.



12 Volt Power Cord

2880105 \$59.99

Recommended with Genuine Leather Fork Bag (2879667-01, -05) or Genuine Leather Handlebar Bag (2879577-01, -05), each sold separately. Allows 12v accessory power for inside Fork Bag. Fits model year 2014-2019.



CHIEF® VINTAGE, INDIAN SPRINGFIELD® & INDIAN SPRINGFIELD® DARK HORSE®
WHEELS & SUSPENSION



19" 10-Spoke Front Wheel

2883235-266 Black \$569.99
 2883235-440 Contrast Cut \$569.99

Recommended with Open Front Fender (288276I-XXX), 16" 10-Spoke Rear Wheel (2882760-266, -440), and Front Tire, 130/60B/19 (5415817), each sold separately. Fits model year 2016-2019 Indian Springfield® & Indian Springfield® Dark Horse®. Stock on 2018-2019 Indian Springfield® Dark Horse®.

16" 10-Spoke Rear Wheel

2882760-266 Black \$519.99
 2882760-440 Contrast Cut \$519.99

Recommended with 19" 10-Spoke Front Wheel (2883235-266, -440) and Rear Tire, 180/60 E3 Multi Compound (5414888), each sold separately. Fits model year 2016-2019 Indian Springfield® & Indian Springfield® Dark Horse®. Stock on 2018-2019 Indian Springfield® Dark Horse®.

NEW

Lowering Rear Shock Kit

2883667 \$464.99

Creates the stylish, low-slung look of a custom-built bike. Lowers bike 1" and maintains outstanding rear suspension performance. Lowers the seat for comfortable, confidence-inspiring riding position. Air-adjustable mono-tube shock and steel coil spring deliver reliable damping and rebound. Fits model year 2016-2019 Indian Springfield® & Indian Springfield® Dark Horse®.



INTRO
2-9

SCOUT®
10-25

INDIAN® CHIEF®
26-45

CHIEF® VINTAGE &
INDIAN SPRINGFIELD®
46-69

CHIEFTAIN®
70-91

ROADMASTER®
92-109

AUDIO
110-113

COLOR-MATCHED
ACCESSORIES
114-117

GARAGE
118-125

Strut Cover

2880662-266 Gloss Black* \$309.99
2882471-266 Gloss Black** \$309.99



Made from die-cast zinc metal with a quality powder coated gloss black finish. *Fits model year 2014-2019 Chief® Vintage. **Fits 2016-2019 Indian Springfield®, 2019 Chief® Vintage & comes stock on Indian Springfield® Dark Horse®.

Pinnacle Oil Cooler Cover

2880138-156 Chrome \$79.99



Mounting hardware included. Model year 2016-2017 require Oil Cooler (2880668), sold separately. Fits model year 2014-2019.

Indian® Script License Plate Frame

2880800-156 Chrome* \$89.99
2882863-156 Chrome \$89.99



*Check local laws as the frame may cover license plate information. Fits model year 2014-2019.

Pinnacle Fender Tip Accents

2879646-156 Chrome* \$144.99
2879646-266 Gloss Black \$144.99



*Stock on Chief® Vintage. Fits model year 2014-2019.

Fuel Gauge

2880731-156 Chrome \$204.99
2880731-266 Gloss Black \$204.99



Fits model year 2014-2019.

Pinnacle Caliper Covers

2879991-156 Chrome \$154.99



Set of two with mounting hardware included. Stamped steel with chrome finish. Direct replacement for stock caliper covers. Fits model year 2014-2019.

Brake Banjo Bolt Cover

2880923-156 Chrome \$49.99



Chrome finish. Installs over existing brake banjo fitting. Fits model year 2014-2019 Chief® Vintage.

Pinnacle Mirrors

2880132-156 Chrome \$154.99



These mirrors feature a dynamic, laterally tapered design and have Indian Motorcycle® script branding on the backsides. They are supported by forged arms for added strength and style. These mirrors directly replace the stock mirrors and provide outstanding visibility. Includes left and right-hand mirrors. Fits model year 2014-2019.

NEW

Headdress Fender Emblem

2883668-156 Chrome \$104.99
2883668-266 Black \$104.99



Evokes classic Indian Motorcycle® style and adds a custom look. Durable, die-cast emblem is engineered specifically for Open Front Fender. Proportions are perfect for this fender and emblem installs securely. Can also be installed on a tool box or in a rider cave. Fits model year 2016-2019 Indian Springfield® family.

Fuel Cap Set

2880663-266 Gloss Black \$89.99



Fits model year 2014-2019.

Headdress License Plate Frame

2880801-156 Chrome* \$89.99
2882864-156 Chrome \$89.99



*Check local laws as the frame may cover license plate information. Fits model year 2014-2019.

Pinnacle Solo Rider Grab Rail

2879604-156 Chrome \$259.99
2880752-266 Gloss Black \$259.99



Fits model year 2014-2019.

Saddlebag Trim & Fender Trim

2881769 Black Saddlebag Trim \$69.99
2880730 Black Fender Trim \$104.99



Fits model year 2014-2019.

Clutch Lifter Arm

2879992-156 Chrome \$49.99



Replaces stock clutch lifter arm. No additional hardware required. Fits model year 2014-2019.

Pinnacle Seat Bolt Cover

2880141-156 Chrome \$49.99



This chrome bracket covers the rear seat mounting bolt and has a chromed, knurled screw that prominently features Indian Motorcycle® branding. Fits model year 2014-2019.

Black Mirrors

2881013-463 Black \$124.99



These Black Mirrors greatly enhance the style of your motorcycle by helping to complete the blacked-out styling. These mirrors directly replace the stock mirrors and provide outstanding visibility. Fits model year 2014-2019.

Reduced Reach Side Stand

2881771-156 Chrome \$184.99
2881771-463 Matte Black \$184.99



Allows shorter riders to reach the side stand while on the bike. Fits model year 2014-2019.

Speedometer Bezel

2880723-266 Gloss Black \$49.99



Includes black power button. Fits model year 2014-2019.

Cruiser Engine Cover Kit

A. 2883322-09 Steel Gray \$124.99
B. 2883322-10 Ivory Cream \$124.99
C. 2883322-11 Gloss Pearl White \$124.99
D. 2883322-12 Star Silver \$124.99
E. 2883322-13 Thunder Black Pearl \$124.99



Clock-wise beginning top-left, this kit includes an Air Box Cover, Primary Cover, Horn Cover and Cam Cover. These components install in place of the stock covers and give the bike colorful and coordinated custom style. Fits model year 2014-2019.

Pinnacle Horn Cover

2879562-156 Chrome \$49.99



Fits model year 2014-2019.

Pinnacle Primary Cover

2879563-156 Chrome \$49.99



Fits model year 2014-2019.

Black Dial Face Speedometer

2883444 Black \$204.99



This speedometer combines classic Indian Motorcycle® branding and a distinctive, black dial face for an iconic look every ride. Dealer installation required. Fits model year 2014-2018. Stock on Indian Springfield® Dark Horse®.

Backrest Plugs

2881788 \$19.99



Fits into open tubes of Quick Release Passenger Sissy Bar (required, sold separately) for a clean, finished custom look. Fits model year 2014-2019.

Open Front Fender

2882761-XXX \$309.99 - \$619.99



Recommended with 19" 10-Spoke Front Wheel (2883235-266, -440), sold separately. Visit the painted parts section on page 116 for more information. Fits model year 2016-2019 Indian Springfield® & Indian Springfield® Dark Horse®.

Pinnacle Cam Cover

2879564-156 Chrome \$49.99



Fits model year 2014-2019.

Pinnacle Concho

2879674-266 Thunder Black \$49.99
2879674-639 Indian Motorcycle® Red \$49.99
2879674-640 Springfield Blue \$49.99
2879674-670 Willow Green \$49.99



Kit includes two conchos. Fits model year 2014-2019.

Black Dial Face Fuel Gauge

2883445-156 Black \$204.99



This gauge combines classic Indian Motorcycle® branding and a distinctive, black dial face for an iconic look every ride. Dealer installation required. Fits model year 2014-2018. Stock on Indian Springfield® Dark Horse®.

2019

INTRO
2-9

SCOUT®
10-25

INDIAN® CHIEF®
26-45

CHIEF® VINTAGE &
INDIAN SPRINGFIELD®
46-69

CHIEFTAIN®
70-91

ROADMASTER®
92-109

AUDIO
110-113

COLOR-MATCHED
ACCESSORIES
114-117

GARAGE
118-125

CRAFTED STYLE PIECES

Genuine Leather Full Mustache Highway Bar Wraps

| | | |
|------------|------------|----------|
| 2880942-01 | Black | \$204.99 |
| 2880942-05 | Desert Tan | \$219.99 |

Fits model year 2016-2019 Indian Springfield® & Indian Springfield® Dark Horse®.



Genuine Leather Partial Mustache Highway Bar Wraps

| | | |
|------------|------------|----------|
| 2880943-01 | Black | \$154.99 |
| 2880943-05 | Desert Tan | \$164.99 |

Requires Mustache Highway Bar (2880287-156), sold separately. Fits model year 2016-2019 Indian Springfield® & Indian Springfield® Dark Horse®.



Genuine Leather Front Mud Flap

| | | |
|------------|----------------------|---------|
| 2880008-01 | Black | \$89.99 |
| 2880008-05 | Desert Tan | \$89.99 |
| 2879583-01 | Black w/ Fringe | \$89.99 |
| 2879583-05 | Desert Tan w/ Fringe | \$89.99 |

Fits model year 2014-2019 Chief® Vintage.



Genuine Leather Rear Mud Flap

| | | |
|------------|----------------------|---------|
| 2880009-01 | Black | \$89.99 |
| 2880009-05 | Desert Tan | \$89.99 |
| 2879584-01 | Black w/ Fringe | \$89.99 |
| 2879584-05 | Desert Tan w/ Fringe | \$89.99 |

Fits model year 2014-2019.



Genuine Leather Upper Saddlebag Fringe

| | | |
|------------|------------|----------|
| 2879879-01 | Black | \$104.99 |
| 2879879-05 | Desert Tan | \$134.99 |

Fits model year 2014-2019 Chief® Vintage.



Genuine Leather Touring Front Mud Flap

| | | |
|------------|----------------------|---------|
| 2880102-01 | Black | \$89.99 |
| 2880102-05 | Desert Tan | \$89.99 |
| 2880101-01 | Black w/ Fringe | \$89.99 |
| 2880101-05 | Desert Tan w/ Fringe | \$89.99 |

Fits model year 2016-2019 Indian Springfield® & Indian Springfield® Dark Horse®.



Genuine Leather Floorboard Trim with Fringe

| | | |
|------------|---------------------|----------|
| 2879555-01 | Black | \$204.99 |
| 2879555-05 | Desert Tan | \$229.99 |
| 2879555-03 | Black w/ Studs | \$229.99 |
| 2879555-06 | Desert Tan w/ Studs | \$229.99 |

Fits model year 2014-2019 Chief® Vintage.



Genuine Leather Floorboard Trim

| | | |
|------------|---------------------|----------|
| 2880007-01 | Black | \$194.99 |
| 2880007-05 | Desert Tan | \$204.99 |
| 2880007-06 | Desert Tan w/ Studs | \$229.99 |

Fits model year 2014-2019 Chief® Vintage.



Genuine Leather Lever Wraps

| | | |
|------------|----------------------|---------|
| 2883473-01 | Black | \$49.99 |
| 2883473-05 | Desert Tan | \$59.99 |
| 2883472-01 | Black w/ Fringe | \$49.99 |
| 2883472-05 | Desert Tan w/ Fringe | \$59.99 |

Fits model year 2018-2019.



Genuine Leather Grip Wraps

| | | |
|------------|----------------------|---------|
| 2879999-01 | Black | \$59.99 |
| 2879999-05 | Desert Tan | \$69.99 |
| 2879553-01 | Black w/ Fringe | \$79.99 |
| 2879553-05 | Desert Tan w/ Fringe | \$89.99 |

Fits model year 2014-2019.



Genuine Leather Tank Strap

| | | |
|-------------|-----|---------|
| 2882052-LRA | Red | \$49.99 |
|-------------|-----|---------|

Recommended with Genuine Leather Seat (2881765), sold separately. Fits model year 2014-2019.



2019

INTRO
2-9

SCOUT®
10-25

INDIAN® CHIEF®
26-45

CHIEF® VINTAGE &
INDIAN SPRINGFIELD®
46-69

CHIEFTAIN®
70-91

ROADMASTER®
92-109

AUDIO
110-113

COLOR-MATCHED
ACCESSORIES
114-117

GARAGE
118-125



- 1. Thunder Stroke® Stage I Slip-On Exhaust Kit & Grooved Exhaust Tips, Pg 74
- 2. Thunder Stroke® 116 ci Stage 3 Big Bore Kit, Pg 74
- 3. Quick Release Passenger Sissy Bar, Rogue Passenger Backrest Pad & Rogue Rider Backrest Pad, Pg 81
- 4. PowerBand™ Audio Saddlebag Speaker Lids, Pg 115
- 5. PowerBand™ Audio, Pg 110
- 6. Thunder Stroke® Stage I Performance Air Intake, Pg 74



PEAK PERFORMANCE

Rule the road with the ultimate performance package, the powerful Stage 3 Big Bore Kit that maximizes your Thunder Stroke® power. The only sound system for your Chieftain® is the premium PowerBand™ Audio Plus, which delivers powerful sound with ultimate clarity.



PROVEN PERFORMANCE

The Stage 1 performance package delivers impressive extra Thunder Stroke® power, and the premium PowerBand™ Audio Plus serves up your favorite open road playlists. The Select Collection accessories fit perfectly and elevate the style of your Chieftain Dark Horse®. Mid Rise Handlebars and the Extended Reach Rogue Seat let you stretch out for extra comfort.

- 1. Headboard Rider Floorboard Pads & Select Toe Peg, Pg 85
- 2. Extended Reach Rogue Seat, Pg 80
- 3. Thunder Stroke® Stage I Performance Air Intake, Pg 74
- 4. Mid Rise Handlebar, Pg 84
- 5. PowerBand™ Audio Saddlebag Speaker Lids, Pg 115
- 6. Thunder Stroke® Stage I Slip-On Exhaust Kit & Straight Exhaust Tips, Pg 74



TOP SELLER

Thunder Stroke® Stage 1 Slip-On Exhaust Kit

2879769-156 Δ Chrome \$699.99
2879769-266 Δ Matte Black \$699.99

Requires exhaust tips, sold separately. Compliant with SAE J2825 standard. Does not void factory warranty. This complete kit conveniently includes the required Calibration Code that upgrades the Engine Control Module (ECM) software from stock to Stage I, allowing this kit to be properly installed by your dealer. No additional software purchase necessary. Each kit is designated with a warning triangle to indicate the restrictions that may apply. Fits model year 2014-2019.



Straight Exhaust Tips

2880671-156 Chrome \$259.99
2880671-266 Matte Black \$259.99

Machined billet aluminum with the largest inner-diameter giving these straight tips the deepest sound. Requires Stage I Exhaust (2879769-156, -266), sold separately. Fits model year 2014-2019.



Fish Tail Exhaust Tips

2879532-156 Chrome \$204.99
2879532-266 Matte Black \$204.99

Stamped steel and classic styling. Requires Stage I Exhaust (2879769-156, -266), sold separately. Fits model year 2014-2019.



TOP SELLER

Six Shooter Exhaust Tips

2879530-156 Chrome \$309.99
2879530-266 Matte Black \$309.99

Choose between 4 different mounting screw hole locations to position the exhaust tips to suit your style. Requires Stage I Exhaust (2879769-156, -266), sold separately. Fits model year 2014-2019.



Grooved Billet Exhaust Tips

2880799-156 Chrome \$309.99
2880799-266 Matte Black \$309.99

Most visible from the road. Made of billet aluminum. Requires Stage I Exhaust (2879769-156, -266), sold separately. Fits model year 2014-2019.



NEW

Thunder Stroke® Performance Clutch Kit

2883957 \$309.99

This Performance Clutch Kit enhances clutch durability and reliability on a bike equipped with Indian Motorcycle® high-performance stage kits. Fits model year 2014-2019.



Exhaust Shields

2883245 Matte Black \$289.99

Steel with a matte black finish. Direct replacement for existing heat shields. Fits model year 2014-2019. Stock on 2019 Chieftain Dark Horse®.



TOP SELLER

Thunder Stroke® High Flow Air Intake

2880654-156 Δ Chrome \$519.99
2880654-266 Δ Gloss Black \$519.99

Compliant with SAE J2825 standard. Does not void factory warranty. This complete kit conveniently includes the required Calibration Code that upgrades the Engine Control Module (ECM) software from stock to Stage I, allowing this kit to be properly installed by your dealer. No additional software purchase necessary. Each kit is designated with a warning triangle to indicate the restrictions that may apply. Fits model year 2014-2019.



TOP SELLER

Thunder Stroke® Stage 1 Performance Air Intake

2881779-156 Δ Chrome \$519.99
2881779-521 Δ Matte Wrinkle Black \$519.99

Compliant with SAE J2825 standard. Does not void factory warranty. This complete kit conveniently includes the required Calibration Code that upgrades the Engine Control Module (ECM) software from stock to Stage I, allowing this kit to be properly installed by your dealer. No additional software purchase necessary. Each kit is designated with a warning triangle to indicate the restrictions that may apply. Fits model year 2014-2019.

3% increase in HORSEPOWER OVER STOCK AIR INTAKE

TOP SELLER

Thunder Stroke® Stage 2 Performance Cams

2881676 Δ \$569.99

Requires Stage I Exhaust (2879769-156, -266) and either Thunder Stroke® High Flow Air Intake (2880654-156, -266) or Thunder Stroke® Stage I Performance Air Intake (2881779-156, -521). Increases horsepower 13% and increases torque 7%. Does not void factory warranty. This complete kit conveniently includes the required Calibration Code that upgrades the Engine Control Module (ECM) software from stock to Stage 2, allowing this kit to be properly installed by your dealer. No additional software purchase necessary. Each kit is designated with a warning triangle to indicate the restrictions that may apply. Fits model year 2014-2019.



over 13% more HORSEPOWER

over 7% more TORQUE

NEW

Thunder Stroke® 116 ci Stage 3 Big Bore Kit

2883921 Δ 2019 \$2749.99
2884062 Δ 2014-2018 (shown) \$2749.99

This Stage 3 Performance 116 ci Big Bore Kit transforms a Thunder Stroke® III into a high-performance 116-ci power plant delivering 20% more horsepower and 15% more torque. This kit contains everything needed for the engine, including: connecting rods, new cylinders, big bore pistons, larger throttle body, and more. Also requires Stage I Exhaust, Exhaust Tips, and Thunder Stroke® Stage I Performance Air Intake or Thunder Stroke® High Flow Air Intake (each sold separately). Does not void factory warranty. This complete kit conveniently includes the required Calibration Code that upgrades the Engine Control Module (ECM) software from stock to Stage 3, allowing this kit to be properly installed by your dealer. No additional software purchase necessary. Each kit is designated with a warning triangle to indicate the restrictions that may apply. Fits model year 2014-2019.



20% more HORSEPOWER

15% more TORQUE

Δ This kit meets EPA and CARB emission limits. Non-competition street use may violate federal noise limits. Please see inside back cover for further information.

50 state emissions compliant. Non-competition street use may violate federal noise limits. Indian Motorcycle® recognizes the importance of environmental laws that regulate exhaust and noise emissions and is committed to developing performance parts that allow motorcycle enthusiasts to modify their vehicles in a safe and responsible manner for racing applications. Emissions / Safety: Federal and many state laws prohibit the removal, modification, or rendering inoperative any part installed on motor vehicles by Indian Motorcycle® affecting emissions or safety on motor vehicles manufactured for use on a public street or highway. Violation may result in fines. International markets, please consult your local laws for additional information. Noise: Certain Indian Motorcycle® performance parts are subject to noise-related usage restrictions. The warning statement for these parts includes the statement, "Non-competition street use may violate federal noise limits." These products are designed for use on closed course competition motorcycles only and do not conform to U.S. EPA noise emission standards. Use on motorcycles subject to EPA noise regulations constitutes tampering and is a violation of Federal law unless it can be shown that such use does not cause the motorcycle to exceed applicable Federal Standards.

2019

INTRO
2-9

SCOUT®
10-25

INDIAN® CHIEF®
26-45

CHIEF® VINTAGE &
INDIAN SPRINGFIELD®
46-69

CHIEFTAIN®
70-91

ROADMASTER®
92-109

AUDIO
110-113

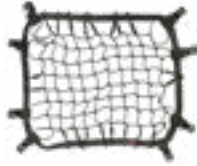
COLOR-MATCHED
ACCESSORIES
114-117

GARAGE
118-125



Cargo Net

2880299 Black \$34.99



Features Indian Motorcycle® branding and is made from strong nylon with elastic and plastic hooks. Recommended with the Pinnacle Solo Luggage Rack (2883403-156, -266) or the Pinnacle Trunk Rack (288044-156) or Pinnacle Sissy Bar Luggage Rack (2880955-156, -266), each sold separately. Fits model year 2014-2019.

Pinnacle Solo Luggage Rack

2883403-156 Chrome \$309.99
 2883403-266 Gloss Black \$309.99



Fits model year 2014-2019.

Saddlebag Lid Racks

2883402-156 Chrome \$359.99
 2883402-266 Gloss Black \$359.99



Fits model year 2014-2018 and 2019 Chieftain® Classic.

Genuine Leather Tank Pouch

2880142-01 Black \$104.99
 2880142-05 Desert Tan \$114.99



Felt lining, magnetic closure with three positions, sits on top of fuel tank for easy reach. Embossed Indian Motorcycle® Branding. Fits model year 2014-2019.

Genuine Leather Tool Roll Insert

2880944-01 Black \$59.99
 2880944-05 Desert Tan \$69.99



Assemble your own assortment of tools to keep prepared, stow them away in the pockets — a perfect fit for convenient storage. Fits model year 2014-2019.

Genuine Leather Rear Highway Bar Bag

2880297-01 Black \$204.99
 2880297-05 Desert Tan \$229.99



Velcro® strips hold lid closed. Detachable genuine leather water bottle holder attaches to the left Rear Highway Bars (2879582-156, -266), required, sold separately. Fits model year 2014-2019.

Trunk Rack Bag

2881757-01 Black \$359.99
 2881757-05 Desert Tan \$359.99



Includes mounting plates for the Solo Rack or Luggage Rack. Fits model year 2014-2019.

Deluxe Saddlebag Travel Bags

2880294 Black \$154.99



Fits model year 2014-2019.

Deluxe Trunk Travel Bag

2880295 Black \$144.99



Quick Release Trunk (2884046-XXX), required sold separately. Fits model year 2014-2019.



2019

INTRO
2-9

SCOUT®
10-25

INDIAN® CHIEF®
26-45

CHIEF® VINTAGE &
INDIAN SPRINGFIELD®
46-69

CHIEFTAIN®
70-91

ROADMASTER®
92-109

AUDIO
110-113

COLOR-MATCHED
ACCESSORIES
114-117

GARAGE
118-125

STORAGE & LUGGAGE- BUILD YOUR ACCESSORY TRUNK

Pump up your storage and organize your possessions with simple to install trunk accessories. Each trunk has ample storage space, enough to hold two full-face helmets. These trunks feature exceptional paint options, extra comfort and are the perfect addition to any ride.

STEP 1 - REQUIRED

NEW

Quick Release Trunk Base

2884048-156 Chrome \$519.99

Features Quick Release technology so riders can quickly remove their trunk without tools. Required for Chieftain® Quick Release Trunk. Mount directly onto trunk to allow for trunk installation on bike. Made from steel with a chrome finish. Fits model year 2014-2019.



STEP 2 - REQUIRED

NEW

Trunk Installation Kit

| | | |
|---------|--------------|----------|
| 2884007 | 2019 (shown) | \$154.99 |
| 2884008 | 2014-2018 | \$154.99 |

Required for proper installation of an accessory Quick Release Trunk. Contains set of mounting spools and harnesses. Supplies electrical power to Quick Release Trunk. Fits model year 2014-2019.



STEP 3 - REQUIRED

QUICK RELEASE

Quick Release Trunk

2884046-XXX \$1849.99 - \$1949.99

Visit the painted parts section on page 116 for more information. Fits model year 2014-2019.



STEP 2 - OPTIONAL

Add Audio

See audio system, page 110 for details.

STEP 4 - REQUIRED

NEW

Rogue Trunk Backrest Pad

2881009-VBA Black Vinyl \$359.99

Plush, cushioned backrest pads provide passenger with great comfort. Premium materials offer long-riding durability. Exterior surfaces are water-resistant, UV-resistant, and won't fade. Stylish, easy to clean and low maintenance. Fits model year 2014-2019.



Genuine Leather Trunk Backrest Pad

| | | |
|------------|--------------------|----------|
| 2880284-02 | Black | \$359.99 |
| 2880284-06 | Desert Tan | \$499.99 |
| 2881009-02 | Black, Non-quilted | \$359.99 |

These backrests are recommended with coordinating Genuine Leather accessory seats on page 80 or 2014-2018 stock Chieftain® Family and 2019 stock Chieftain® Classic seats. 2019 Chieftain®, Chieftain® Limited, Chieftain Dark Horse® come stock with a Rogue Seat. Fits model year 2014-2019.



STEP 5 - OPTIONAL TRUNK ACCESSORIES

NEW

Rogue Passenger Armrest Pads

2880041-VBA Black Vinyl \$79.99

Plush, cushioned armrest pads provide great arm comfort. Premium materials offer long-riding durability. Exterior surfaces are water-resistant, UV-resistant, and won't fade. Stylish, easy to clean, low maintenance. Coordinates with the Rogue Seats. Armrest Support Kit (2880032-156) is required, sold separately. Fits model year 2014-2019.



TOP SELLER

Trunk Passenger Armrest Support Kits & Genuine Leather Armrest Pads

| | | |
|-------------|------------------------------|----------|
| 2880041-01 | Black | \$79.99 |
| 2880041-05 | Desert Tan | \$104.99 |
| 2880032-156 | Armrest Support Kit - Chrome | \$339.99 |

Requires Quick Release Trunks (2884046-XXX) and Armrest Support Kit, each sold separately. Fits model year 2014-2019. See page 116 to choose your Quick Release Trunk color.



Pinnacle Trunk Rack

2880044-156 Chrome \$309.99

Requires Quick Release Trunk (2884046-XXX), sold separately. Fits model year 2014-2019.



Trunk Mirror

2880066 Black \$59.99

Requires Quick Release Trunk (2884046-XXX), sold separately. Fits model year 2014-2019.



Trunk Organizer

2880298 Black \$49.99

Requires Quick Release Trunk (2884046-XXX), sold separately. Fits model year 2014-2019.



2019

INTRO
2-9

SCOUT®
10-25

INDIAN® CHIEF®
26-45

CHIEF® VINTAGE &
INDIAN SPRINGFIELD®
46-69

CHIEFTAIN®
70-91

ROADMASTER®
92-109

AUDIO
110-113

COLOR-MATCHED
ACCESSORIES
114-117

GARAGE
118-125

NEW
Rogue Seat

2883663-VBA Black Vinyl \$409.99



Specially shaped cushioning. Integrates seats into stylish, single seat. Fits model year 2014-2019. Stock on 2019 Chieftain®.

NEW
Extended Reach Rogue Seat

2883664-VBA Black Vinyl \$409.99



Positions rider higher and 2" farther back than stock seat. Customized ergonomics for taller riders. Specially shaped cushioning. Integrates seats into stylish, single seat. Not compatible with rider backrest pads. Fits model year 2014-2019.

NEW
Rogue Rider Backrest Pad

2879542-VBA Black Vinyl \$389.99



This backrest pad coordinates with the Rogue Seat. It provides support to your lower back and keeps you in a comfortable, in-control position. Rider Backrest Mount (2879543), required, sold separately, is adjustable so you can customize your comfort. Fits model year 2014-2019.

NEW
Rogue Passenger Backrest Pad

2879666-VBA Black Vinyl \$259.99



Coordinates with the Rogue Seat. Provides cushioned back support for comfort and security. Passengers ride with confidence-inspiring support. Mounts on the Quick Release Passenger Sissy Bar (required, sold separately). Fits model year 2014-2019.

Genuine Leather Seat

2881765 Red \$464.99



Recommended with Genuine Leather Tank Strap (2882052-LRA), sold separately. Fits model year 2014-2019.

TOP SELLER
Passenger Seat

| | | |
|------------|------------------------|----------|
| 2880734-02 | Heated Black w/ Studs* | \$359.99 |
| 2880666 | Black Vinyl w/ Studs** | \$309.99 |
| 2882767-01 | Black* | \$309.99 |
| 2881766 | Red* | \$329.99 |



*Genuine Leather. **Leather look all weather black vinyl. Recommended with Passenger Pegs (2880667-626), sold separately. Heated option requires Genuine Leather Reduced Reach Heated Seat (2879578-02, -06) or Genuine Leather Heated Seat (2880733-02, -06), each sold separately. Fits model year 2014-2019.

TOP SELLER
Pinnacle Sissy Bar Luggage Rack

| | | |
|-------------|-------------|----------|
| 2880955-156 | Chrome | \$259.99 |
| 2880955-266 | Gloss Black | \$259.99 |



Requires Quick Release Passenger Sissy Bar, sold separately. Fits model year 2014-2019.

Genuine Leather Reduced Reach Heated Seat

| | | |
|------------|------------|----------|
| 2879578-02 | Black | \$619.99 |
| 2879578-06 | Desert Tan | \$699.99 |



Fits model year 2014-2019.

TOP SELLER
Genuine Leather Passenger Backrest Pad

| | | |
|-------------|---------------------|----------|
| 2879666-01 | Black | \$259.99 |
| 2879666-02 | Black w/ Studs | \$204.99 |
| 2879666-06 | Desert Tan w/ Studs | \$259.99 |
| 2879666-LRA | Red w/ Studs | \$259.99 |



Requires Quick Release Passenger Sissy Bar, sold separately. Fits model year 2014-2019.

TOP SELLER **QUICK RELEASE**
Quick Release Passenger Sissy Bar

| | | | |
|-------------|--------------|--------------------|----------|
| 2880832-156 | 12" Standard | Chrome | \$449.99 |
| 2880833-156 | 14" Tall | Chrome (not shown) | \$449.99 |
| 2880833-266 | 14" Tall | Gloss Black | \$449.99 |



Requires Passenger Backrest Pad (2879666-XX), sold separately. Fits model year 2014-2019.

Genuine Leather Standard Heated Seat

2880733-02 Black \$619.99



Fits model year 2014-2019.

TOP SELLER
Genuine Leather Rider Backrest Pad

| | | |
|-------------|----------------------------|----------|
| 2879542-01 | Black | \$389.99 |
| 2879542-02 | Black w/ Studs | \$359.99 |
| 2879542-06 | Desert Tan w/ Studs | \$389.99 |
| 2879542-LRA | Red w/ Studs | \$389.99 |
| 2879543 | Backrest Mount (not shown) | \$154.99 |



Does not work with Genuine Leather Extended Reach Seat. Fits model year 2014-2019.

Genuine Leather Touring Heated Seat

| | | |
|------------|------------|-----------|
| 2882563-02 | Black | \$824.99 |
| 2882563-06 | Desert Tan | \$1129.99 |



Works with Quick Release Passenger Sissy Bar. Fits model year 2014-2019.

Genuine Leather Extended Reach Heated Seat

| | | |
|------------|---------------------|-----------|
| 2882423-02 | Black w/ Studs | \$824.99 |
| 2882423-06 | Desert Tan w/ Studs | \$1029.99 |



Does not work with Genuine Leather Rider Backrest Pad. Fits model year 2014-2019.

2019

INTRO
2-9

SCOUT®
10-25

INDIAN® CHIEF®
26-45

CHIEF® VINTAGE &
INDIAN SPRINGFIELD®
46-69

CHIEFTAIN®
70-91

ROADMASTER®
92-109

AUDIO
110-113

COLOR-MATCHED
ACCESSORIES
114-117

GARAGE
118-125



11.3"

11.3" Windscreens

| | | |
|------------|--------|----------|
| 2881124-01 | Clear | \$159.99 |
| 2881124-02 | Tinted | \$169.99 |

11.3" tall. 6.5" lower than stock 2014-2015 Chieftain®. Fits model year 2014-2019.



13.7"

TOP SELLER

13.7" Flare Windshield

| | | |
|------------|--------|----------|
| 2880222-01 | Clear | \$204.99 |
| 2880222-02 | Tinted | \$229.99 |

13.7" tall. Fits model year 2014-2019.



13.9"

13.9" Low Pro Windshield

| | | |
|------------|--------|----------|
| 2881800-01 | Clear | \$184.99 |
| 2881800-02 | Tinted | \$184.99 |

13.9" tall. 4" lower than stock 2014-2015 Chieftain® windshield. Fits model year 2014-2019.



21"

21" Touring Windshield

| | | |
|---------|-------|----------|
| 2881799 | Clear | \$239.99 |
|---------|-------|----------|

21" tall. Fits model year 2014-2019.



NEW

Front Highway Bar

| | | |
|-------------|-------------|----------|
| 2884063-156 | Chrome | \$409.99 |
| 2884063-266 | Gloss Black | \$409.99 |

Fits model year 2014-2019. Required to install Hard Lower Fairings (2883984-XXX), sold separately.



Classic Front Highway Bar

| | | |
|-------------|-------------|----------|
| 2879581-156 | Chrome* | \$409.99 |
| 2883407-266 | Gloss Black | \$409.99 |

*Stock on Chieftain®. Fits model year 2014-2019.



Mustache Highway Bar

| | | |
|-------------|-------------|----------|
| 2880287-156 | Chrome | \$409.99 |
| 2880287-266 | Gloss Black | \$359.99 |

Fits model year 2014-2019.



TOP SELLER

Rear Highway Bars

| | | |
|-------------|-------------|----------|
| 2879582-156 | Chrome | \$309.99 |
| 2879582-266 | Gloss Black | \$309.99 |

Fits model year 2014-2019.



Front Fender Bumper

| | | |
|-------------|-------------|----------|
| 2879551-156 | Chrome | \$204.99 |
| 2880750-266 | Gloss Black | \$204.99 |

Not compatible with Open Front Fender. Fits model year 2014-2019.



Rear Fender Bumper

| | | |
|-------------|-------------|----------|
| 2879550-156 | Chrome | \$154.99 |
| 2880751-266 | Gloss Black | \$154.99 |

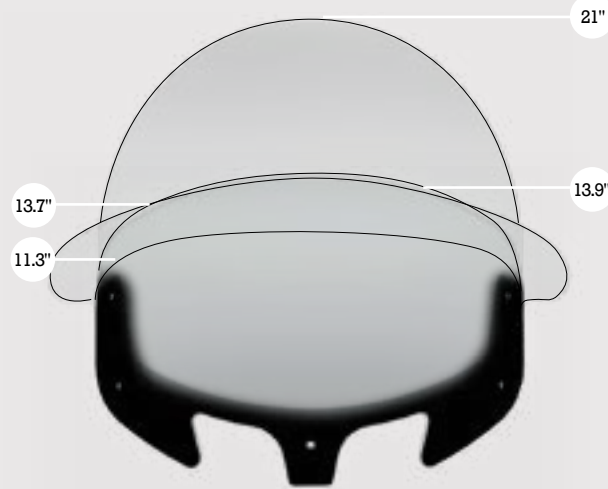
Fits model year 2014-2019.



Pinnacle Saddlebag Protector Rails

| | | |
|-------------|--------|----------|
| 2880917-156 | Chrome | \$409.99 |
|-------------|--------|----------|

Fits model year 2014-2018 Chieftain® family & 2019 Chieftain® Classic.



Picking the Right Windshield

The 13.7" Flare Windshield will give your bike a style boost while the 11.3" Windscreens will give your Chieftain® a more low-profile look. For riders looking for wind protection, a windshield that stops shortly below eye level will prevent you from looking through bug splatter, while directing air over your head. For touring riders, we recommend the 21" Touring Windshield.

2881799 21" Touring Windshield

2881800 13.9" Low Pro Windshield

2880222 13.7" Flare Windshield

2881797 11.3" Windscreens

NEW

Hard Lower Fairings

| | |
|-------------|----------|
| 2883984-XXX | \$929.99 |
|-------------|----------|

Includes Inner Lower Fairing. Visit the painted parts section on page 115 for more details and color options. Fits model year 2014-2019.



Lower Fairing Lock Kit

| | |
|---------|---------|
| 2881170 | \$49.99 |
|---------|---------|

Fits model year 2015-2019.



Mustache Bar Soft Closeouts

| | | |
|------------|-------|----------|
| 2880941-01 | Black | \$154.99 |
|------------|-------|----------|

Fits Mustache Highway Bar (stock on certain models). Made from vinyl for increased resistance to wear and tear from rocks, bugs and rain. Fits model year 2014-2019.



Front Highway Bar Soft Closeouts

| | | |
|---------|-------|----------|
| 2881125 | Black | \$154.99 |
|---------|-------|----------|

Requires Front Highway Bars or Classic Front Highway Bars (stock on certain models). Made from vinyl for increased resistance to wear and tear from rocks, bugs and rain. Fits model year 2014-2019.



Windshield Bolt Kit

| | |
|---------|---------|
| 2882230 | \$29.99 |
|---------|---------|

For black styling. Fits model year 2014-2019.



2019

INTRO
2-9

SCOUT®
10-25

INDIAN® CHIEF®
26-45

CHIEF® VINTAGE &
INDIAN SPRINGFIELD®
46-69

CHIEFTAIN®
70-91

ROADMASTER®
92-109

AUDIO
110-113

COLOR-MATCHED
ACCESSORIES
114-117

GARAGE
118-125



Reduced Reach Handlebar

2882922-410 Chrome \$239.99

Dealer installation required. Includes Extended Clutch Cable. Fits model year 2018-2019.



Mid Rise Handlebar

2882923-410 Polished Stainless \$409.99
 2883450-266 Black \$409.99

Fits model year 2018-2019.



Heated Grips

2883268 Black \$309.99

Includes Wire Harness and Switch. Fits model year 2018-2019.



Select Grips

2882828-156 Chrome \$164.99
 2882828-468 Black \$164.99

Fits model year 2019.

Select Rider Floorboards

2883021-156 Chrome \$519.99
 2883021-468 Black \$519.99

Fits model year 2015-2019.



Headdress Rider Floorboard Pads

2879606-01 Polished Inlays \$204.99

Use the Headdress Rider Floorboard Pads with your standard floorboards for an extra boost of style. Fits model year 2014-2019.



Select Passenger Floorboards

2882866-156 Chrome \$409.99
 2882866-468 Black \$409.99
 2880288 Mount \$104.99

Requires Adjustable Passenger Floorboard Mounts (2880288), sold separately. Fits model year 2015-2019.



TOP SELLER

Standard Passenger Floorboards

2880293 Chrome \$184.99
 2880288 Mount \$104.99

Fits model year 2014-2019.



Select Toe Peg

2880728-156 Chrome \$59.99
 2880728-468 Matte Black \$59.99

Installs in place of the stock toe shifter peg and adds a great looking accessory to your Indian Motorcycle®. Fits model year 2014-2019.



Select Script Pegs

2880106-156 Chrome \$154.99
 2880106-266 Gloss Black \$154.99

Can be installed on both the passenger pegs mount or highway bars peg mounts (highway bars, see page 83 and passenger pegs, 2879993-156 or 2880667-626, sold separately). Chieftain Dark Horse® requires Pinnacle Passenger Peg Supports (2879993-156) or Passenger Pegs (2880667-626), each sold separately. Fits model year 2014-2019.



Select Heel Shifter Peg

2880729-156 Chrome \$49.99
 2880729-468 Matte Black \$49.99

Attaches to the stock heel shifter in two integrated mounting points. Fits model year 2014-2019.



TOP SELLER

Pinnacle Heel Shifter

2880103-156 Chrome \$154.99
 2880103-463 Matte Black \$154.99

This heel shifter gives you the convenience and comfort of heel up-shifts and toe down-shifts. Fits model year 2014-2019.



TOP SELLER

Infinite Highway Pegs

2879572-156 Chrome \$309.99
 2879572-266 Gloss Black \$309.99

Will work with Hard Lower Fairings. Fits model year 2014-2019.



TOP SELLER

Passenger Pegs

2880667-626 Matte Black \$204.99

Fits model year 2014-2019. Stock on Chieftain® Limited & Chieftain® Classic.



Pinnacle Passenger Peg Supports

2879993-156 Chrome \$149.99

Fits model year 2014-2019.



Toe Rests

2881848-156 Chrome \$174.99

Will work with Hard Lower Fairings. Requires a front highway bar, see page 83. Fits model year 2014-2019.



2019

INTRO
2-9

SCOUT®
10-25

INDIAN® CHIEF®
26-45

CHIEF® VINTAGE &
INDIAN SPRINGFIELD®
46-69

CHIEFTAIN®
70-91

ROADMASTER®
92-109

AUDIO
110-113

COLOR-MATCHED
ACCESSORIES
114-117

GARAGE
118-125



CHIEFTAIN® FAMILY
LIGHTING & ELECTRICAL



2019

INTRO
2-9

SCOUT®
10-25

INDIAN® CHIEF®
26-45

CHIEF® VINTAGE &
INDIAN SPRINGFIELD®
46-69

CHIEFTAIN®
70-91

ROADMASTER®
92-109

AUDIO
110-113

COLOR-MATCHED
ACCESSORIES
114-117

GARAGE
118-125

Pathfinder LED Headlight

2880289 \$409.99

Enhanced visibility with powerful, clean LED light. Branded with the Indian Motorcycle® script, "I". Dealer installation required. 2014 models require new VCM (4015220), sold separately. Fits model year 2014-2019.



Pathfinder LED Driving Lights

2880621 \$309.99

Installs directly into stock light housings for powerful, brighter lighting. Fits model year 2014-2019.



Headdress Light

2880665-156 Chrome \$104.99
 2880665-266 Gloss Black (shown) \$104.99
 2880665-463 Matte Black \$124.99



Lit headdress to add classic Indian Motorcycle® styling for Valanced Fenders. Does not work with Open Front Fender (2882761-XXX). Fits model year 2014-2019 Chieftain® & Chieftain Dark Horse®, Chieftain® Limited and Chieftain® Elite.

Rear Light Assembly

2880664-266 Gloss Black \$309.99

Use with existing tail light lens assembly. Fits model year 2014-2019.



Ride Command® GPS Upgrade

2883040 \$519.99

Adds navigation functionality to Ride Command® for 2018 Chieftain®. Use Ride Command® to: view maps, plan routes, check location, get directions, and locate closest services. Stock on 2018-2019 Chieftain Dark Horse®, Chieftain® Limited & Chieftain® Classic. Fits model year 2018-2019 Chieftain®.



Indian
 MOTORCYCLE
 RIDE COMMAND®

RAM Ball Mount

2880920 \$104.99

Fits on clutch perch. For RAM Ball accessories visit the RAM website. Fits model year 2014-2019.



Garage Door Opener

2882132 \$154.99

Fits model year 2017-2019.



CHIEFTAIN® FAMILY
WHEELS & SUSPENSION



19" 10-Spoke Front Wheel

2883235-266 Black \$569.99
 2883235-440 Contrast Cut \$569.99

Recommended with Open Front Fender (2882761-XXX), 16" 10-Spoke Rear Wheel (2882760-266, -440) and Front Tire, 130/60B/19 (5415817), each sold separately. Fits model year 2018. Stock on 2018-2019 Chieftain®, Chieftain® Limited, Chieftain Dark Horse® & Chieftain® Elite.

16" 10-Spoke Rear Wheel

2882760-266 Black \$519.99
 2882760-440 Contrast Cut \$519.99

Recommended with 19" 10-Spoke Front Wheel (2883235 or 2882759, -266, -440) and Rear Tire, 180/60 E3 Multi Compound (5414888), each sold separately. Fits model year 2014-2019. Stock on 2018-2019 Chieftain®, Chieftain® Limited, Chieftain Dark Horse® & Chieftain® Elite.

NEW

Lowering Rear Shock Kit

2883667 \$464.99

Creates the stylish, low-slung look of a custom-built bike. Lowers bike 1" and maintains outstanding rear suspension performance. Lowers the seat for comfortable, confidence-inspiring riding position. Air-adjustable mono-tube shock and steel coil spring deliver reliable damping and rebound. Fits model year 2014-2019. Stock on 2019 Chieftain® family except Chieftain® Classic.



Strut Cover

2882471-266 Gloss Black \$309.99

Stock on 2018 Chieftain Dark Horse®. Fits model year 2014-2019.



Pinnacle Oil Cooler Cover

2880138-156 Chrome \$79.99

Mounting hardware included. Fits model year 2014-2019.



Indian® Script License Plate Frame

2880800-156 Chrome* \$89.99
2882863-156 Chrome \$89.99

*Check local laws as the frame may cover license plate information. Fits model year 2014-2019.



Pinnacle Fender Tip Accents

2879646-156 Chrome \$144.99
2879646-266 Gloss Black \$144.99

Fits model year 2014-2019.



Saddlebag Trim & Fender Trim

2881769 Saddlebag Trim - Black \$69.99
2880730 Fender Trim - Black \$104.99

Fits model year 2014-2019.



Pinnacle Caliper Covers

2879991-156 Chrome \$154.99

Set of two with mounting hardware included. Stamped steel with chrome finish. Direct replacement for stock caliper covers. Fits model year 2014-2019.



Pinnacle Mirrors

2880132-156 Chrome \$154.99

These mirrors feature a dynamic, laterally tapered design and have Indian Motorcycle® script branding on the backsides. They are supported by forged arms for added strength and style. These mirrors directly replace the stock mirrors and provide outstanding visibility. Includes left and right-hand mirrors. Fits model year 2014-2019.



Reduced Reach Side Stand

2881771-156 Chrome \$184.99
2881771-463 Black \$184.99

Allows shorter riders to reach the side stand while on the bike. Fits model year 2014-2019.



NEW

Headdress Fender Emblem

2883668-156 Chrome \$104.99
2883668-266 Black \$104.99

Evokes classic Indian Motorcycle® style and adds a custom look. Durable, die-cast emblem is engineered specifically for Open Front Fender. Proportions are perfect for this fender and emblem installs securely. Can also be installed on a tool box or in a rider cave. Fits model year 2014-2019.



Fuel Cap Set

2880663-266 Gloss Black \$89.99

Fits model year 2014-2019.



Headdress License Plate Frame

2880801-156 Chrome* \$89.99
2882864-156 Chrome \$89.99

*Check local laws as the frame may cover license plate information. Fits model year 2014-2019.



Pinnacle Solo Rider Grab Rail

2879604-156 Chrome \$259.99
2880752-266 Gloss Black \$259.99

Fits model year 2014-2019.



Pinnacle Seat Bolt Cover

2880141-156 Chrome \$49.99

This chrome bracket covers the rear seat mounting bolt and has a chromed, knurled screw that prominently features Indian Motorcycle® branding. Fits model year 2014-2019.



Pinnacle Cup Holder

2880137 Chrome \$79.99

Fits model year 2014-2019.



Black Mirrors

2881013-463 Black \$124.99

These Black Mirrors greatly enhance the style of your motorcycle by helping to complete the blacked-out styling. These mirrors directly replace the stock mirrors and provide outstanding visibility. Fits model year 2014-2019.



Clutch Lifter Arm

2879992-156 Chrome \$49.99

Replaces stock clutch lifter arm. No additional hardware required. Fits model year 2014-2019.



Backrest Plugs

2881788 \$19.99

Fits into open tubes of Quick Release Passenger Sissy Bar (required, sold separately) for a clean, finished custom look. Fits model year 2014-2019.



Bezel

2881770-XXX \$104.99 - \$154.99

Visit the painted parts section on page 116 for more information. Fits model year 2014-2019.



Black Dial Face Speedometer and Tachometer

2883443 Black \$309.99

Dealer installation only. Fits model year 2017-2019.



Touring Engine Cover Kit

- A. 2883321-09 Steel Gray \$204.99
- B. 2883321-10 Ivory Cream \$204.99
- C. 2883321-11 Gloss Pearl White \$204.99
- D. 2883321-12 Star Silver \$204.99
- E. 2883321-13 Thunder Black Pearl \$204.99



Clock-wise beginning top-left, this kit includes an Air Box Cover, Console Insert, Primary Cover, Horn Cover and Cam Cover. These components install in place of the stock covers and give the bike colorful and coordinated custom style. Fits model year 2014-2019.

Pinnacle Horn Cover

2879562-156 Chrome \$49.99

Fits model year 2014-2019.



Pinnacle Cam Cover

2879564-156 Chrome \$49.99

Fits model year 2014-2019.



Pinnacle Primary Cover

2879563-156 Chrome \$49.99

Fits model year 2014-2019.



Pinnacle Concho

2879674-266 Thunder Black \$49.99
2879674-639 Indian Motorcycle® Red \$49.99
2879674-640 Springfield Blue \$49.99
2879674-670 Willow Green \$49.99

Kit includes two conchos. Fits model year 2014-2019.



2019

INTRO
2-9

SCOUT®
10-25

INDIAN® CHIEF®
26-45

CHIEF® VINTAGE &
INDIAN SPRINGFIELD®
46-69

CHIEFTAIN®
70-91

ROADMASTER®
92-109

AUDIO
110-113

COLOR-MATCHED
ACCESSORIES
114-117

GARAGE
118-125

Genuine Leather Full Front Mustache Highway Bar Wraps

| | | |
|------------|------------|----------|
| 2880942-01 | Black | \$204.99 |
| 2880942-05 | Desert Tan | \$219.99 |

Requires Mustache Highway Bar (2880287-156), sold separately. Fits model year 2014-2019.



Genuine Leather Partial Front Mustache Highway Bar Wraps

| | | |
|------------|------------|----------|
| 2880943-01 | Black | \$154.99 |
| 2880943-05 | Desert Tan | \$164.99 |

Requires Mustache Highway Bar (2880287-156), sold separately. Fits model year 2014-2019.



Genuine Leather Rear Mud Flap

| | | |
|------------|----------------------|---------|
| 2880009-01 | Black | \$89.99 |
| 2880009-05 | Desert Tan | \$89.99 |
| 2879584-01 | Black w/ Fringe | \$89.99 |
| 2879584-05 | Desert Tan w/ Fringe | \$89.99 |

Fits model year 2014-2019.



Genuine Leather Touring Front Mud Flap

| | | |
|------------|----------------------|---------|
| 2880102-01 | Black | \$89.99 |
| 2880102-05 | Desert Tan | \$89.99 |
| 2880101-01 | Black w/ Fringe | \$89.99 |
| 2880101-05 | Desert Tan w/ Fringe | \$89.99 |

Fits model year 2014-2019.



Genuine Leather Floorboard Trim with Fringe

| | | |
|------------|---------------------|----------|
| 2879555-01 | Black | \$204.99 |
| 2879555-05 | Desert Tan | \$229.99 |
| 2879555-03 | Black w/ Studs | \$229.99 |
| 2879555-06 | Desert Tan w/ Studs | \$229.99 |

Fits model year 2014-2019.



Genuine Leather Floorboard Trim

| | | |
|------------|---------------------|----------|
| 2880007-01 | Black | \$194.99 |
| 2880007-05 | Desert Tan | \$204.99 |
| 2880007-06 | Desert Tan w/ Studs | \$229.99 |

Fits model year 2014-2019.



Genuine Leather Lever Wraps

| | | |
|------------|----------------------|---------|
| 2883473-01 | Black | \$49.99 |
| 2883473-05 | Desert Tan | \$59.99 |
| 2883472-01 | Black w/ Fringe | \$49.99 |
| 2883472-05 | Desert Tan w/ Fringe | \$59.99 |

Fits model year 2018-2019.



Genuine Leather Grip Wraps

| | | |
|------------|----------------------|---------|
| 2879999-01 | Black | \$59.99 |
| 2879999-05 | Desert Tan | \$69.99 |
| 2879553-01 | Black w/ Fringe | \$79.99 |
| 2879553-05 | Desert Tan w/ Fringe | \$89.99 |

Fits model year 2014-2019.



Genuine Leather Tank Strap

| | | |
|-------------|-----|---------|
| 2882052-LRA | Red | \$49.99 |
|-------------|-----|---------|

Recommended with Genuine Leather Seat (2881765). Fits model year 2014-2019.



2019

INTRO
2-9

SCOUT®
10-25

INDIAN® CHIEF®
26-45

CHIEF® VINTAGE &
INDIAN SPRINGFIELD®
46-69

CHIEFTAIN®
70-91

ROADMASTER®
92-109

AUDIO
110-113

COLOR-MATCHED
ACCESSORIES
114-117

GARAGE
118-125



CLASSIC CHROME

Enhance the rich heritage of Roadmaster® performance, convenience, and style with brilliant chrome accessories from the Pinnacle, Select, and Premium Collections. Experience increased power with Thunder Stroke® Stage 1 performance upgrades, and customize your seating and cargo capabilities for optimized touring.



- 1. Mid Rise Handlebar, Pg 102
- 2. Thunder Stroke® Stage I Slip-On Exhaust Kit & Fish Tail Exhaust Tips, Pg 94
- 3. Saddlebag Lid Racks, Pg 96
- 4. Pinnacle Caliper Covers, Pg 106
- 5. Thunder Stroke® High Flow Air Intake, Pg 94
- 6. Genuine Leather Extended Heated Reach Seat, Pg 98
- 7. Premium Tour Console & Inserts, Pg 107
- 8. Trunk Passenger Armrest Support & Pads, Pg 97



ENGINE PERFORMANCE



TOP SELLER

**Roadmaster®
Thunder Stroke® Stage 1 Slip-On Exhaust Kit**

2879769-156 Chrome \$699.99
2879769-266 Matte Black \$699.99

Requires exhaust tips, sold separately. Compliant with SAE J2825 standard. Does not void factory warranty. This complete kit conveniently includes the required Calibration Code that upgrades the Engine Control Module (ECM) software from stock to Stage I, allowing this kit to be properly installed by your dealer. No additional software purchase necessary. Each kit is designated with a warning triangle to indicate the restrictions that may apply. Fits model year 2015-2019 Roadmaster®.


**Roadmaster® Classic
Thunder Stroke® Stage 1 Slip-On Exhaust Kit**

2879768-156 Chrome \$699.99
2879768-266 Matte Black \$699.99

Requires exhaust tips, sold separately. Compliant with SAE J2825 standard. Does not void factory warranty. This complete kit conveniently includes the required Calibration Code that upgrades the Engine Control Module (ECM) software from stock to Stage I, allowing this kit to be properly installed by your dealer. No additional software purchase necessary. Each kit is designated with a warning triangle to indicate the restrictions that may apply. Fits model year 2017-2018 Roadmaster® Classic.

**Straight Exhaust Tips**

2880671-156 Chrome \$259.99
2880671-266 Matte Black \$259.99

Machined billet aluminum with the largest inner-diameter giving these straight tips the deepest sound. Requires Stage I Exhaust (2879768-156, -266, 2879769-156, -266), sold separately. Fits model year 2015-2019.

**Fish Tail Exhaust Tips**

2879532-156 Chrome \$204.99
2879532-266 Matte Black \$204.99

Stamped steel and classic styling. Requires Stage I Exhaust (2879768-156, -266 or 2879769-156, -266), sold separately. Fits model year 2015-2019.



TOP SELLER

Six Shooter Exhaust Tips

2879530-156 Chrome \$309.99
2879530-266 Matte Black \$309.99

Choose between 4 different mounting screw hole locations to position the exhaust tips to suit your style. Made of cast aluminum. Requires Stage I Exhaust (2879768-156, -266 or 2879769-156, -266), sold separately. Fits model year 2015-2019.

**Grooved Billet Exhaust Tips**

2880799-156 Chrome \$309.99
2880799-266 Matte Black \$309.99

Most visible from the road. Made of billet aluminum. Requires Stage I Exhaust (2879768-156, -266 or 2879769-156, -266), sold separately. Fits model year 2015-2019.



NEW

Thunder Stroke® Performance Clutch Kit

2883957 \$309.99

This Performance Clutch Kit enhances clutch durability and reliability on a bike equipped with Indian Motorcycle® high-performance stage kits. Fits model year 2015-2019.

**Exhaust Shields**

2883245 Matte Black \$289.99

Steel with a matte black finish. Direct replacement for existing heat shields. Fits model year 2015-2019.



TOP SELLER

Thunder Stroke® High Flow Air Intake

2880654-156 Chrome \$519.99
2880654-266 Gloss Black \$519.99

Compliant with SAE J2825 standard. Does not void factory warranty. This complete kit conveniently includes the required Calibration Code that upgrades the Engine Control Module (ECM) software from stock to Stage I, allowing this kit to be properly installed by your dealer. No additional software purchase necessary. Each kit is designated with a warning triangle to indicate the restrictions that may apply. Fits model year 2015-2019.



TOP SELLER

Thunder Stroke® Stage 1 Performance Air Intake

2881779-156 Chrome \$519.99
2881779-521 Matte Wrinkle Black \$519.99

Compliant with SAE J2825 standard. Does not void factory warranty. This complete kit conveniently includes the required Calibration Code that upgrades the Engine Control Module (ECM) software from stock to Stage I, allowing this kit to be properly installed by your dealer. No additional software purchase necessary. Each kit is designated with a warning triangle to indicate the restrictions that may apply. Fits model year 2015-2019.

**3% increase in
HORSEPOWER
OVER STOCK AIR INTAKE**

TOP SELLER

Thunder Stroke® Stage 2 Performance Cams

2881676 \$569.99

Requires Stage I Exhaust (2879768-156, -266) and either Thunder Stroke® High Flow Air Intake (2880654-156, -266) or Thunder Stroke® Stage 1 Performance Air Intake (2881779-156, -521). Increases horsepower 13% and increases torque 7%. Does not void factory warranty. This complete kit conveniently includes the required Calibration Code that upgrades the Engine Control Module (ECM) software from stock to Stage 2, allowing this kit to be properly installed by your dealer. No additional software purchase necessary. Each kit is designated with a warning triangle to indicate the restrictions that may apply. Fits model year 2015-2019.



**over 13% more
HORSEPOWER**

**over 7% more
TORQUE**

NEW

Thunder Stroke® 116 ci Stage 3 Big Bore Kit

2883921 2019 \$2749.99
2884062 2015-2018 (shown) \$2749.99

This Stage 3 Performance 116 ci Big Bore Kit transforms a Thunder Stroke® III into a high-performance 116-ci power plant delivering 20% more horsepower and 15% more torque. This kit contains everything needed for the engine, including: connecting rods, new cylinders, big bore pistons, larger throttle body, and more. Also requires Stage I Exhaust, Exhaust Tips, and Thunder Stroke® Stage 1 Performance Air Intake or Thunder Stroke® High Flow Air Intake (each sold separately). Does not void factory warranty. This complete kit conveniently includes the required Calibration Code that upgrades the Engine Control Module (ECM) software from stock to Stage 3, allowing this kit to be properly installed by your dealer. No additional software purchase necessary. Each kit is designated with a warning triangle to indicate the restrictions that may apply. Fits model year 2015-2019.



**20% more
HORSEPOWER**

**15% more
TORQUE**

This kit meets EPA and CARB emission limits. Non-competition street use may violate federal noise limits. Please see inside back cover for further information.

50 state emissions compliant. Non-competition street use may violate federal noise limits. Indian Motorcycle® recognizes the importance of environmental laws that regulate exhaust and noise emissions and is committed to developing performance parts that allow motorcycle enthusiasts to modify their vehicles in a safe and responsible manner for racing applications. Emissions / Safety: Federal and many state laws prohibit the removal, modification, or rendering inoperative any part installed on motor vehicles by Indian Motorcycle® affecting emissions or safety on motor vehicles manufactured for use on a public street or highway. Violation may result in fines. International markets, please consult your local laws for additional information. Noise: Certain Indian Motorcycle® performance parts are subject to noise-related usage restrictions. The warning statement for these parts includes the statement, "Non-competition street use may violate federal noise limits." These products are designed for use on closed course competition motorcycles only and do not conform to U.S. EPA noise emission standards. Use on motorcycles subject to EPA noise regulations constitutes tampering and is a violation of Federal law unless it can be shown that such use does not cause the motorcycle to exceed applicable Federal Standards.

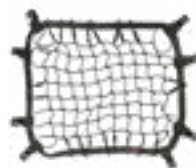
2019

INTRO
2-9SCOUT®
10-25INDIAN® CHIEF®
26-45CHIEF® VINTAGE &
INDIAN SPRINGFIELD®
46-69CHIEFTAIN®
70-91ROADMASTER®
92-109AUDIO
110-113COLOR-MATCHED
ACCESSORIES
114-117GARAGE
118-125

Cargo Net

2880299 Black \$34.99

Features Indian Motorcycle® branding and is made from strong nylon with elastic and plastic hooks. Fits Trunk Cargo Rack (2880044-156) stock on Roadmaster®. Fits model year 2015-2019 Roadmaster® and Roadmaster® Elite.



Saddlebag Lid Racks

2883402-156 Chrome \$359.99
2883402-266 Gloss Black \$359.99

Fits model year 2015-2019 Roadmaster® and Roadmaster® Elite.



Genuine Leather Tank Pouch

2880142-01 Black \$104.99
2880142-05 Desert Tan \$114.99

Felt lining, magnetic closure with three positions, sits on top of fuel tank for easy reach. Embossed Indian Motorcycle® Branding. Fits model year 2015-2019.



Genuine Leather Tool Roll Insert

2880944-01 Black \$59.99
2880944-05 Desert Tan \$69.99

Assemble your own assortment of tools to keep prepared, stow them away in the pockets — a perfect fit for convenient storage. Fits model year 2015-2019.



Genuine Leather Rear Highway Bar Bag

2880297-01 Black \$204.99
2880297-05 Desert Tan \$229.99

Velcro® strips hold lid closed. Detachable genuine leather water bottle holder attaches to the left Rear Highway Bar (2879582-156,-266), required, sold separately. Fits model year 2015-2019.



Deluxe Trunk Travel Bag

2880295 Black \$144.99

Fits model year 2015-2019.



Deluxe Saddlebag Travel Bags

2880294 Black \$154.99

Fits model year 2015-2019 Roadmaster® and Roadmaster® Elite.



Trunk Rack Bag

2881757-01 Black \$359.99
2881757-05 Desert Tan \$359.99

Includes mounting plates for the Solo Rack or Luggage Rack. Fits model year 2015-2019 Roadmaster® and Roadmaster® Elite.



Trunk Mirror

2880066 Black \$59.99

Fits model year 2015-2019 Roadmaster® and Roadmaster® Elite.



Trunk Organizer

2880298 Black \$49.99

Fits model year 2015-2019 Roadmaster® and Roadmaster® Elite.



Lower Fairing Lock Kit

2881170 \$49.99

Fits model year 2015-2019.



TOP SELLER

Trunk Passenger Armrest Support Kits & Genuine Leather Armrest Pads

2880041-01 Black \$79.99
2880041-05 Desert Tan \$104.99
2880032-156 Armrest Support Kit - Chrome* \$339.99
2880769 Armrest Support Kit - Chrome** \$359.99

*Fits Roadmaster®, only works with Quick Release Trunks (2884046-XXX). See page 116 to choose your Quick Release Trunk color.
**Only works with Quick Release Genuine Leather Trunk (2882296-05). Fits model year 2015-2019. Stock on Roadmaster® Elite.



NEW

Rogue Passenger Armrest Pads

2880041-VBA Black Vinyl \$79.99

Plush, cushioned armrest pads provide great arm comfort. Premium materials offer long-riding durability. Exterior surfaces are water-resistant, UV-resistant, and won't fade. Stylish, easy to clean and low maintenance. Coordinates with the Rogue Seats. Armrest Support Kit (2880032-156) is required, sold separately. Fits model year 2015-2019.



2019

INTRO
2-9

SCOUT®
10-25

INDIAN® CHIEF®
26-45

CHIEF® VINTAGE &
INDIAN SPRINGFIELD®
46-69

CHIEFTAIN®
70-91

ROADMASTER®
92-109

AUDIO
110-113

COLOR-MATCHED
ACCESSORIES
114-117

GARAGE
118-125

ROADMASTER® FAMILY
SEATS & BACKRESTS

NEW

Rogue Seat

2883663-VBA Black Vinyl \$409.99

Specially shaped cushioning. Integrates seats into stylish, single seat. Fits model year 2015-2019.



NEW

Extended Reach Rogue Seat

2883664-VBA Black Vinyl \$409.99

Positions rider higher and 2" farther back than stock seat. Customized ergonomics for taller riders. Specially shaped cushioning. Integrates seats into stylish, single seat. Not compatible with rider backrest pads. Fits model year 2015-2019.



Genuine Leather Extended Reach Heated Seat

2882423-02 Black w/ Studs \$824.99
2882423-06 Desert Tan w/ Studs \$1029.99

Does not work with Genuine Leather Rider Backrest Pad. Fits model year 2015-2019.



Genuine Leather Touring Heated Seat

2882563-02 Black \$824.99
2882563-06 Desert Tan \$1129.99

Works with Quick Release Passenger Sissy Bar. Stock on Roadmaster®. Fits model year 2015-2019.



Genuine Leather Standard Heated Seat

2880733-02 Black \$619.99

Fits model year 2015-2019.



Genuine Leather Reduced Reach Heated Seat

2879578-02 Black \$619.99
2879578-06 Desert Tan \$699.99

Fits model year 2015-2019.

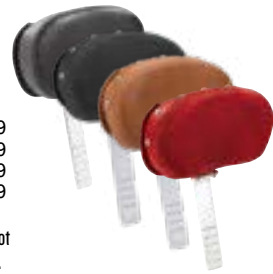


TOP SELLER

Genuine Leather Rider Backrest Pad

2879542-01 Black \$389.99
2879542-02 Black w/ Studs \$359.99
2879542-06 Desert Tan w/ Studs \$389.99
2879543 Backrest Mount (not shown) \$154.99

Requires Driver Backrest Mount (2879543), sold separately. Does not fit Genuine Leather Extended Reach Seat. Fits model year 2015-2019.



NEW

Rogue Rider Backrest Pad

2879542-VBA Black Vinyl \$389.99

This backrest pad coordinates with the Rogue Seat. It provides support to your lower back and keeps you in a comfortable, in-control position. Rider Backrest Mount (2879543), required, sold separately, is adjustable so you can customize your comfort. Fits model year 2015-2019.



2019

INTRO
2-9

SCOUT®
10-25

INDIAN® CHIEF®
26-45

CHIEF® VINTAGE &
INDIAN SPRINGFIELD®
46-69

CHIEFTAIN®
70-91

ROADMASTER®
92-109

AUDIO
110-113

COLOR-MATCHED
ACCESSORIES
114-117

GARAGE
118-125



11.3" Windscreen

2881797-01 Clear \$159.99
2881797-02 Tinted \$169.99

11.3" tall. Fits model year 2015-2019.



TOP SELLER

13.7" Flare Windshield

2880222-01 Clear \$204.99
2880222-02 Tinted \$229.99

13.7" tall. Fits model year 2015-2019.



NEW

Front Highway Bar

2884063-156 Chrome \$409.99
2884063-266 Gloss Black \$409.99

Fits model year 2015-2018 Roadmaster® Family. Stock on 2019 Roadmaster® Family.



Classic Front Highway Bar

2879581-156 Chrome \$409.99
2883407-266 Gloss Black \$409.99

Fits model year 2015-2019.



13.9" Low Pro Windshield

2881800-01 Clear \$184.99
2881800-02 Tinted \$184.99

13.9" tall. Fits model year 2015-2019.



21" Touring Windshield

2881799 Clear \$239.99

21" tall. 4" higher than stock Roadmaster® windshield. Fits model year 2015-2019.



Mustache Highway Bar

2880287-156 Chrome \$409.99
2880287-266 Gloss Black \$359.99

Fits model year 2015-2019.

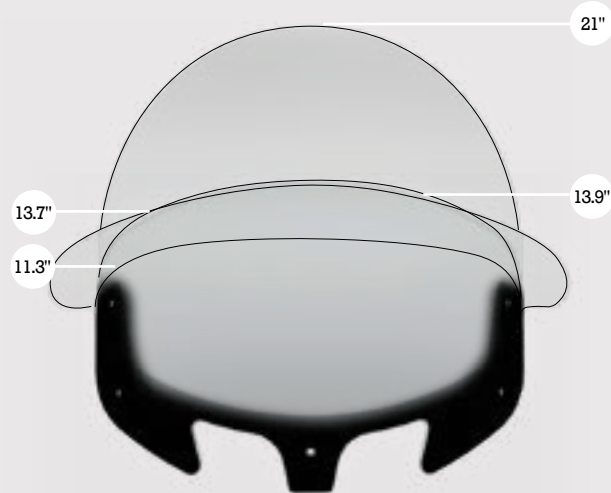


TOP SELLER

Rear Highway Bars

2879582-156 Chrome* \$309.99
2879582-266 Gloss Black \$309.99

*Chrome comes stock on Roadmaster®. Fits model year 2015-2019.



Picking the Right Windshield

The 13.7" Flare Windshield will give your bike a style boost while the 11.3" Windscreen will give your bike a more low-profile look. For riders looking for wind protection, a windshield that stops shortly below eye level will prevent you from looking through bug splatter, while directing air over your head. For touring riders, we recommend the 21" Touring Windshield.

2881799 21" Touring Windshield

2881800 13.9" Low Pro Windshield

2880222 13.7" Flare Windshield

2881797 11.3" Windscreen

Windshield Bolt Kit

2882230 \$29.99

For black styling. Fits model year 2015-2019.



Front Fender Bumper

2879551-156 Chrome \$204.99
2880750-266 Gloss Black \$204.99

Not compatible with Open Front Fender. Fits model year 2015-2019.



Rear Fender Bumper

2879550-156 Chrome \$154.99
2880751-266 Gloss Black \$154.99

Fits model year 2015-2019.



Pinnacle Saddlebag Protector Rails

2880917-156 Chrome \$409.99

Fits model year 2015-2019.

2019

INTRO
2-9

SCOUT®
10-25

INDIAN® CHIEF®
26-45

CHIEF® VINTAGE &
INDIAN SPRINGFIELD®
46-69

CHIEFTAIN®
70-91

ROADMASTER®
92-109

AUDIO
110-113

COLOR-MATCHED
ACCESSORIES
114-117

GARAGE
118-125



Reduced Reach Handlebar

2882922-410 Chrome \$239.99

Dealer installation required. Includes Extended Clutch Cable. Fits model year 2018-2019.



Mid Rise Handlebar

2882923-410 Polished Stainless \$409.99
2883450-266 Black \$409.99

Fits model year 2018-2019.



Select Grips

2882828-156 Chrome \$164.99
2882828-468 Black \$164.99

Fits model year 2018-2019.

Select Rider Floorboards

2883021-156 Chrome \$519.99
2883021-468 Black \$519.99

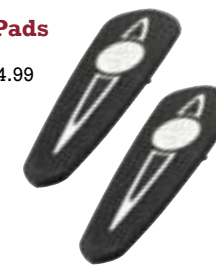
Fits model year 2015-2019.



Headdress Rider Floorboard Pads

2879606-01 Polished Inlays \$204.99

Use the Headdress Rider Floorboard Pads with your standard floorboards for an extra boost of style. Fits model year 2015-2019.



Select Passenger Floorboards

2882866-156 Chrome \$409.99
2882866-468 Black \$409.99

Fits model year 2015-2019.



Pinnacle Passenger Peg Supports

2879993-156 Chrome \$149.99

Fits model year 2015-2019.



Select Toe Peg

2880728-156 Chrome \$59.99
2880728-468 Matte Black \$59.99

Installs in place of the stock toe shifter peg and adds a great looking accessory to your Indian Motorcycle®. Fits model year 2015-2019.



Select Script Pegs

2880106-156 Chrome \$154.99
2880106-266 Gloss Black \$154.99

Can be installed on both the passenger pegs mount or highway bars peg mounts (highway bars, see page 101 and passenger pegs, 2879993-156 or 2880667-626, sold separately). Fits model year 2015-2019.



Select Heel Shifter Peg

2880729-156 Chrome \$49.99
2880729-468 Matte Black \$49.99

Attaches to the stock heel shifter in two integrated mounting points. Fits model year 2015-2019.



TOP SELLER

Pinnacle Heel Shifter

2880103-156 Chrome \$154.99
2880103-463 Matte Black \$154.99

This heel shifter gives you the convenience and comfort of heel up-shifts and toe down-shifts. Fits model year 2015-2019.



TOP SELLER

Infinite Highway Pegs

2879572-156 Chrome \$309.99
2879572-266 Gloss Black \$309.99

Fits model year 2015-2019.



TOP SELLER

Passenger Pegs

2880667-626 Matte Black \$204.99

Fits model year 2015-2019.



Toe Rests

2881848-156 Chrome \$174.99

Fits model year 2015-2019.



2019

INTRO
2-9

SCOUT®
10-25

INDIAN® CHIEF®
26-45

CHIEF® VINTAGE &
INDIAN SPRINGFIELD®
46-69

CHIEFTAIN®
70-91

ROADMASTER®
92-109

AUDIO
110-113

COLOR-MATCHED
ACCESSORIES
114-117

GARAGE
118-125

Headress Light

| | | |
|-------------|---------------------|----------|
| 2880665-156 | Chrome | \$104.99 |
| 2880665-266 | Gloss Black (shown) | \$104.99 |
| 2880665-463 | Matte Black | \$124.99 |



Lit headress to add classic Indian Motorcycle® styling for Valanced Fenders. Does not work with Open Front Fender (2882761-XXX). Fits model year 2015-2019.

Rear Light Assembly

| | | |
|-------------|-------------|----------|
| 2880664-266 | Gloss Black | \$309.99 |
|-------------|-------------|----------|



Use with existing tail light lens assembly. Fits model year 2015-2019.

RAM Ball Mount

| | |
|---------|----------|
| 2880920 | \$104.99 |
|---------|----------|



Fits on clutch perch. For RAM Ball accessories visit the RAM website. Fits model year 2015-2019.

Garage Door Opener

| | |
|---------|----------|
| 2882132 | \$154.99 |
|---------|----------|



Fits model year 2017-2019.

**19" 10-Spoke Front Wheel**

| | | |
|-------------|--------------|----------|
| 2883235-266 | Black | \$569.99 |
| 2883235-440 | Contrast Cut | \$569.99 |

Recommended with Open Front Fender (2882761-XXX), 16" 10-Spoke Rear Wheel (2882760-266, -440) and Front Tire, 130/60B/19 (5415817), each sold separately. Fits model year 2015-2019.

16" 10-Spoke Rear Wheel

| | | |
|-------------|--------------|----------|
| 2882760-266 | Black | \$519.99 |
| 2882760-440 | Contrast Cut | \$519.99 |

Recommended with 19" 10-Spoke Front Wheel (2883235 or 2882759, -266, -440) and Rear Tire, 180/60 E3 Multi Compound (5414888), each sold separately. Fits model year 2015-2019.

10-SPOKE STYLE KIT: 2018-2019 MODELS

| | | |
|-------------|----------------------------|---------------------|
| 2883235-XXX | 19" 10-Spoke Front Wheel** | \$569.99 |
| 2882761-XXX | Open Front Fender* | \$309.99 - \$619.99 |
| 2882760-XXX | 16" 10-Spoke Rear Wheel** | \$519.99 |

*See page 116 for color options. **Color options listed under wheels above.

**NEW****Lowering Rear Shock Kit**

| | |
|---------|----------|
| 2883667 | \$464.99 |
|---------|----------|

Creates the stylish, low-slung look of a custom-built bike. Lowers bike 1" and maintains outstanding rear suspension performance. Lowers the seat for comfortable, confidence-inspiring riding position. Air-adjustable mono-tube shock and steel coil spring deliver reliable damping and rebound. Fits model year 2015-2019.



2019

INTRO
2-9SCOUT®
10-25INDIAN® CHIEF®
26-45CHIEF® VINTAGE &
INDIAN SPRINGFIELD®
46-69CHIEFTAIN®
70-91ROADMASTER®
92-109AUDIO
110-113COLOR-MATCHED
ACCESSORIES
114-117GARAGE
118-125

Strut Cover

2882471-266 Gloss Black \$309.99

Fits model year 2015-2019.

**Fuel Cap Set**

2880663-266 Gloss Black \$89.99

Fits model year 2015-2019.

**Headdress License Plate Frame**2880801-156 Chrome* \$89.99
2882864-156 Chrome \$89.99

*Check local laws as the frame may cover license plate information. Fits model year 2015-2019.

**Saddlebag Trim & Fender Trim**2881769 Saddlebag Trim - Black \$69.99
2880730 Fender Trim - Black \$104.99

Fits model year 2015-2019.

**Pinnacle Seat Bolt Cover**

2880141-156 Chrome \$49.99

This chrome bracket covers the rear seat mounting bolt and has a chromed, knurled screw that prominently features Indian Motorcycle® branding. Fits model year 2015-2019.

**Pinnacle Oil Cooler Cover**

2880138-156 Chrome \$79.99

Mounting hardware included. Fits model year 2015-2019.

**Pinnacle Mirrors**

2880132-156 Chrome \$154.99

These mirrors feature a dynamic, laterally tapered design and have Indian Motorcycle® script branding on the backsides. They are supported by forged arms for added strength and style. These mirrors directly replace the stock mirrors and provide outstanding visibility. Includes left and right-hand mirrors. Fits model year 2015-2019.



NEW

Headdress Fender Emblem2883668-156 Chrome \$104.99
2883668-266 Black \$104.99

Evokes classic Indian Motorcycle® style and adds a custom look. Durable, die-cast emblem is engineered specifically for Open Front Fender. Proportions are perfect for this fender and emblem installs securely. Can also be installed on a tool box or in a rider cave. Fits model year 2015-2019.

**Pinnacle Fender Tip Accents**2879646-156 Chrome* \$144.99
2879646-266 Gloss Black \$144.99

*Chrome comes stock on Roadmaster®. Set of 2. Not compatible with Open Front Fender. Fits model year 2015-2019.

**Indian® Script License Plate Frame**2880800-156 Chrome* \$89.99
2882863-156 Chrome \$89.99

*Check local laws as the frame may cover license plate information. Fits model year 2015-2019.

**Pinnacle Caliper Covers**

2879991-156 Chrome \$154.99

Set of two with mounting hardware included. Stamped steel with chrome finish. Direct replacement for stock caliper covers. Fits model year 2015-2019.

**Pinnacle Cup Holder**

2880137 Chrome \$79.99

Fits model year 2015-2019.

**Clutch Lifter Arm**

2879992-156 Chrome \$49.99

Replaces stock clutch lifter arm. No additional hardware required. Fits model year 2015-2019.

**Black Mirrors**

2881013-463 Black \$124.99

These Black Mirrors greatly enhance the style of your motorcycle by helping to complete the blacked-out styling. These mirrors directly replace the stock mirrors and provide outstanding visibility. Fits model year 2015-2019.

**Bezel**

2881770-XXX \$104.99 - \$154.99

Visit the painted parts section on page 116 for more information. Fits model year 2015-2019.

**Open Front Fender**

2882761-XXX \$309.99 - \$619.99

Recommended with 19" 10-Spoke Front Wheel (2883235-266, -440), sold separately. Visit the painted parts section on page 116 for more information. Fits model year 2015-2019.

**Touring Engine Cover Kit**A. 2883321-09 Steel Gray \$204.99
B. 2883321-10 Ivory Cream \$204.99
C. 2883321-11 Gloss Pearl White \$204.99
D. 2883321-12 Star Silver \$204.99
E. 2883321-13 Thunder Black Pearl \$204.99

Clock-wise beginning top-left, this kit includes an Air Box Cover, Console Insert, Primary Cover, Horn Cover and Cam Cover. These components install in place of the stock covers and give the bike colorful and coordinated custom style. Fits model year 2015-2019.

Pinnacle Horn Cover

2879562-156 Chrome \$49.99

Fits model year 2015-2019.

**Pinnacle Cam Cover**

2879564-156 Chrome \$49.99

Fits model year 2015-2019.

**Pinnacle Primary Cover**

2879563-156 Chrome \$49.99

Fits model year 2015-2019.

**Pinnacle Concho**2879674-266 Thunder Black \$49.99
2879674-639 Indian Motorcycle® Red \$49.99
2879674-640 Springfield Blue \$49.99
2879674-670 Willow Green \$49.99

Kit includes two conchos. Fits model year 2015-2019.

**Black Dial Face Speedometer and Tachometer**

2883443 Black \$309.99

Dealer installation required. Fits model year 2017-2019.

**Headlight Bezel Bolt Kit**

2882229 Black \$19.99

Recommended with Bezel (2881770-XXX), sold separately. Fits model year 2015-2019.



2019

INTRO
2-9SCOUT®
10-25INDIAN® CHIEF®
26-45CHIEF® VINTAGE &
INDIAN SPRINGFIELD®
46-69CHIEFTAIN®
70-91ROADMASTER®
92-109AUDIO
110-113COLOR-MATCHED
ACCESSORIES
114-117GARAGE
118-125

**Genuine Leather Full Front
Mustache Highway Bar Wraps**

| | | |
|------------|------------|----------|
| 2880942-01 | Black | \$204.99 |
| 2880942-05 | Desert Tan | \$219.99 |

Must remove lower fairings. Fits model year 2015-2019.


**Genuine Leather Partial Front
Mustache Highway Bar Wraps**

| | | |
|------------|------------|----------|
| 2880943-01 | Black | \$154.99 |
| 2880943-05 | Desert Tan | \$164.99 |

Fits model year 2015-2019.


Genuine Leather Rear Mud Flap

| | | |
|------------|----------------------|---------|
| 2880009-01 | Black | \$89.99 |
| 2880009-05 | Desert Tan | \$89.99 |
| 2879584-01 | Black w/ Fringe | \$89.99 |
| 2879584-05 | Desert Tan w/ Fringe | \$89.99 |

Fits model year 2015-2019.


**Genuine Leather Touring
Front Mud Flap**

| | | |
|------------|----------------------|---------|
| 2880102-01 | Black | \$89.99 |
| 2880102-05 | Desert Tan | \$89.99 |
| 2880101-01 | Black w/ Fringe | \$89.99 |
| 2880101-05 | Desert Tan w/ Fringe | \$89.99 |

Fits model year 2015-2019.


**Genuine Leather Floorboard
Trim with Fringe**

| | | |
|------------|---------------------|----------|
| 2879555-01 | Black | \$204.99 |
| 2879555-05 | Desert Tan | \$229.99 |
| 2879555-03 | Black w/ Studs | \$229.99 |
| 2879555-06 | Desert Tan w/ Studs | \$229.99 |

Fits model year 2015-2019.


Genuine Leather Floorboard Trim

| | | |
|------------|---------------------|----------|
| 2880007-01 | Black | \$194.99 |
| 2880007-05 | Desert Tan | \$204.99 |
| 2880007-06 | Desert Tan w/ Studs | \$229.99 |

Fits model year 2015-2019.


Genuine Leather Lever Wraps

| | | |
|------------|----------------------|---------|
| 2883473-01 | Black | \$49.99 |
| 2883473-05 | Desert Tan | \$59.99 |
| 2883472-01 | Black w/ Fringe | \$49.99 |
| 2883472-05 | Desert Tan w/ Fringe | \$59.99 |

Fits model year 2018-2019.


Genuine Leather Grip Wraps

| | | |
|------------|----------------------|---------|
| 2879999-01 | Black | \$59.99 |
| 2879999-05 | Desert Tan | \$69.99 |
| 2879553-01 | Black w/ Fringe | \$79.99 |
| 2879553-05 | Desert Tan w/ Fringe | \$89.99 |

Fits model year 2015-2019.



2019

INTRO

2-9

SCOUT®

10-25

INDIAN® CHIEF™

26-45

**CHIEF™ VINTAGE &
INDIAN SPRINGFIELD™**

46-69

CHIEFTAIN™

70-91

ROADMASTER®

92-109

AUDIO

110-113

**COLOR-MATCHED
ACCESSORIES**

114-117

GARAGE

118-125

WHAT YOU NEED TO ADD POWERBAND™ AUDIO



INTRODUCING THE LOUDEST AUDIO IN INDIAN MOTORCYCLE® HISTORY

2019 CHIEFTAIN® MODELS (EXCEPT CHIEFTAIN® CLASSIC)

| POWERBAND™ AUDIO UPGRADED FAIRING AUDIO | POWERBAND™ AUDIO PLUS UPGRADED FAIRING & SADDLEBAG AUDIO | POWERBAND™ AUDIO PLUS UPGRADED FAIRING, SADDLEBAG & TRUNK AUDIO WITH ACCESSORY TRUNK |
|--|--|---|
| COMPONENTS PowerBand™ Audio 5 ¼" Amplified Speaker Kit 2883926 | COMPONENTS PowerBand™ Audio 5 ¼" Amplified Speaker Kit 2883926 PowerBand™ Audio Plus 6 ½" Amplified Speaker Kit 2883922 PowerBand™ Audio Saddlebag Installation Kit 2883924 PowerBand™ Audio Saddlebag Speaker Lids 2883666-XXX* PowerBand™ Audio Saddlebag Speaker Bezels 2883665-XXX** | COMPONENTS PowerBand™ Audio 5 ¼" Amplified Speaker Kit 2883926 PowerBand™ Audio Plus 6 ½" Amplified Speaker Kit 2883922 PowerBand™ Audio Quick Release Trunk Amplified Speaker Kit 2883927 PowerBand™ Audio Saddlebag Installation Kit 2883924 PowerBand™ Audio Saddlebag Speaker Lids 2883666-XXX* PowerBand™ Audio Saddlebag Speaker Bezels 2883665-XXX** Quick Release Trunk 2884046-XXX* Trunk Installation Kit 2884007*** |

POWERBAND™ AUDIO COMPONENTS

SPEAKER KITS

NEW

PowerBand™ Audio 5 ¼" Amplified Speaker Kit

2883926 \$629.99



5 ¼" Amplified Fairing Speaker Kit, upgraded fairing audio, 30% louder than stock, 9 band equalizer, pre-tuned setting, integrated with Ride Command®. Fits model year 2019 Chieftain® family & Roadmaster® family.

NEW

PowerBand™ Audio Plus 6 ½" Amplified Speaker Kit

2883922 \$849.99



PowerBand™ Audio Plus consists of the 5 ¼" Amplified Fairing Speaker Kit + 6 ½" Amplified Saddlebag Speaker Kit (sold separately). These two kits together will deliver upgraded fairing and saddlebag audio. Benefits include audio that is 50% louder than stock, 9 band equalizer, pre-tuned settings, integration with Ride Command® and no additional amp required. Fits model year 2019 Chieftain® family & Roadmaster® family.

SADDLEBAG AUDIO

NEW

PowerBand™ Audio Saddlebag Installation Kit

2883924 \$104.99

Accommodates installation of PowerBand™ Audio 6 ½" Amplified Speakers in Saddlebag Lids. Kit includes all necessary harnesses. Fits model year 2019 Chieftain® models.

NEW

PowerBand™ Audio Classic Saddlebag Installation Kit

2883923 \$104.99

Accommodates installation of PowerBand™ Audio 6 ½" Amplified Speakers in classic audio lids. Kit includes all necessary harnesses. Fits model year 2019 Chieftain® family & 2018-2019 Roadmaster® family.

NEW

PowerBand™ Audio Saddlebag Speaker Bezels

2883665-156 Chrome \$409.99
2883665-266 Thunder Black \$409.99



Add a clean, finished look to the PowerBand™ Audio 6 ½" Amplified Speakers (sold separately). Precision-engineered and precision manufactured. Install easily and fit perfectly. Fits model year 2019 Chieftain® family.

NEW

PowerBand™ Audio Classic Saddlebag Speaker Bezels

2883669-156 Chrome \$409.99
2883669-266 Thunder Black \$409.99



Add a clean, finished look to the PowerBand™ Audio 6 ½" Amplified Speakers (sold separately). These bezels install in Classic Saddlebag Lids. Precision-engineered and precision manufactured. Install easily and fit perfectly. Fits model year 2019 Chieftain® Classic & 2018-2019 Roadmaster®.

NEW

PowerBand™ Audio Saddlebag Speaker Lids

2883666-XXX \$519.99



Injection-molded lids are precision-engineered and manufactured like stock lids. They host PowerBand™ Audio 6 ½" Amplified Speakers and Speaker Bezels (each sold separately). These lids replace stock lids. Color-matched with same premium finishes as stock lids. Install easily and fit perfectly. See page 115 for color options. Fits model year 2019 Chieftain® family.

NEW

PowerBand™ Audio Classic Saddlebag Speaker Lids

2883670-XXX \$519.99 - \$669.99



Injection-molded lids are precision-engineered and manufactured like stock lids. They host PowerBand™ Audio 6 ½" Amplified Speakers and Speaker Bezels (each sold separately). These lids replace the Classic Saddlebag Lids. Color-matched with same premium finishes as stock lids. Install easily and fit perfectly. See page 115 for color options. Fits model year 2019 Chieftain® Classic & 2018-2019 Roadmaster®.

TRUNK AUDIO

NEW

PowerBand™ Audio Quick Release Trunk Amplified Speaker Kit

2883927 \$774.99



Accommodates installation of PowerBand™ Audio 5 ¼" Amplified Speakers in Quick Release Trunks. Kit includes all necessary power supplies, speakers and installation hardware. Fits model year 2019 Chieftain® models.

Build Your Accessory Trunk
Pg. 78

PowerBand™ Audio for 2019 Indian Springfield® Family Coming Soon

Keep up to date on indianmotorcycle.com/accessories

2019 ROADMASTER® MODELS

| POWERBAND™ AUDIO UPGRADED FAIRING & TRUNK AUDIO | POWERBAND™ AUDIO PLUS UPGRADED FAIRING, SADDLEBAG & TRUNK AUDIO |
|--|--|
| COMPONENTS PowerBand™ Audio 5 ¼" Amplified Speaker Kit 2883926 (Buy 2) <small>Two speaker kits required</small> | COMPONENTS PowerBand™ Audio 5 ¼" Amplified Speaker Kit 2883926 (Buy 2) <small>Two speaker kits required</small> PowerBand™ Audio Plus 6 ½" Amplified Speaker Kit 2883922 PowerBand™ Audio Classic Saddlebag Installation Kit 2883923 PowerBand™ Audio Classic Saddlebag Speaker Lids 2883670-XXX* PowerBand™ Audio Classic Saddlebag Speaker Bezels 2883669-XXX** |

2019 CHIEFTAIN® CLASSIC

| POWERBAND™ AUDIO UPGRADED FAIRING AUDIO | POWERBAND™ AUDIO PLUS UPGRADED FAIRING & SADDLEBAG AUDIO | POWERBAND™ AUDIO PLUS UPGRADED FAIRING, SADDLEBAG & TRUNK AUDIO WITH ACCESSORY TRUNK |
|--|--|---|
| COMPONENTS PowerBand™ Audio 5 ¼" Amplified Speaker Kit 2883926 | COMPONENTS PowerBand™ Audio 5 ¼" Amplified Speaker Kit 2883926 PowerBand™ Audio Plus 6 ½" Amplified Speaker Kit 2883922 PowerBand™ Audio Classic Saddlebag Installation Kit 2883923 PowerBand™ Audio Classic Saddlebag Speaker Lids 2883670-XXX* PowerBand™ Audio Classic Saddlebag Speaker Bezels 2883669-XXX** | COMPONENTS PowerBand™ Audio 5 ¼" Amplified Speaker Kit 2883926 PowerBand™ Audio Plus 6 ½" Amplified Speaker Kit 2883922 PowerBand™ Audio Quick Release Trunk Amplified Speaker Kit 2883927 PowerBand™ Audio Classic Saddlebag Installation Kit 2883923 PowerBand™ Audio Classic Saddlebag Speaker Lids 2883670-XXX* PowerBand™ Audio Classic Saddlebag Speaker Bezels 2883669-XXX** Quick Release Trunk 2884046-XXX* Trunk Installation Kit 2884007*** |



2019

INTRO
2-9

SCOUT®
10-25

INDIAN® CHIEF®
26-45

CHIEF® VINTAGE &
INDIAN SPRINGFIELD®
46-69

CHIEFTAIN®
70-91

ROADMASTER®
92-109

AUDIO
110-113

COLOR-MATCHED
ACCESSORIES
114-117

GARAGE
118-125

AUDIO FOR MODEL YEAR 2018 & OLDER



LOCATE YOUR MODEL & DESIRED AUDIO

TRUNK AUDIO

DO YOU CURRENTLY HAVE SADDLEBAG AUDIO?

NO

BUY THE FOLLOWING

Trunk Speakers
2882213
Non-Fairing Amplifier
2882216
Trunk System
See Pg. 56

YES

BUY THE FOLLOWING

Trunk Speakers
2882213
Non-Fairing Amplifier
2882216
Audio Splitter Harness
2882309
Trunk System
See Pg. 56

CHOOSE THE AUDIO

SADDLEBAG AUDIO

DO YOU CURRENTLY HAVE TRUNK AUDIO?

NO

BUY THE FOLLOWING

Saddlebag Speakers
2882212
Non-Fairing Amplifier
2882216
Saddlebag Audio Lids
2879656-XXX*

YES

BUY THE FOLLOWING

Saddlebag Speakers
2882212
Non-Fairing Amplifier
2882216
Audio Splitter Harness
2882309
Saddlebag Audio Lids
2879656-XXX*

DO YOU CURRENTLY HAVE SADDLEBAG AUDIO?

NO

BUY THE FOLLOWING

Trunk Speakers
2882213
Amplifier Kit
2882214
Trunk System
See Pg. 78

YES

BUY THE FOLLOWING

Trunk Speakers
2882213
2 Channel Amplifier Kit
2882215
Audio Splitter Harness
2882309
Trunk System
See Pg. 78

DO YOU CURRENTLY HAVE TRUNK AUDIO?

NO

BUY THE FOLLOWING

Saddlebag Speakers
2882212
Amplifier Kit
2882214
Saddlebag Audio Lids
2879656-XXX*

YES

BUY THE FOLLOWING

Saddlebag Speakers
2882212
2 Channel Amplifier Kit
2882215
Audio Splitter Harness
2882309
Saddlebag Audio Lids
2879656-XXX*

YOU WANT TO HAVE

SADDLEBAG & TRUNK AUDIO

DO YOU CURRENTLY HAVE SADDLEBAG AUDIO?

NO

DO YOU CURRENTLY HAVE TRUNK AUDIO?

NO

BUY THE FOLLOWING

Saddlebag Speakers 2882212
Saddlebag Audio Lids 2879656-XXX*
Non-Fairing Amplifier (Buy 2) 2882216
Audio Splitter Harness 2882309
Trunk Speakers 2882213
Trunk System See Pg. 56

YES

BUY THE FOLLOWING

Saddlebag Speakers 2882212
Non-Fairing Amplifier 2882216
Audio Splitter Harness 2882309
Saddlebag Audio Lids 2879656-XXX*

YES

BUY THE FOLLOWING

Trunk Speakers
2882213
Non-Fairing Amplifier
2882216
Audio Splitter Harness
2882309
Trunk System
See Pg. 56

DO YOU CURRENTLY HAVE SADDLEBAG AUDIO?

NO

DO YOU CURRENTLY HAVE TRUNK AUDIO?

NO

BUY THE FOLLOWING

Saddlebag Speakers 2882212
Saddlebag Audio Lids 2879656-XXX*
Amplifier Kit 2882214
2 Channel Amplifier Kit 2882215
Audio Splitter Harness 2882309
Trunk Speakers 2882213
Trunk System See Pg. 78

YES

BUY THE FOLLOWING

Saddlebag Speakers 2882212
2 Channel Amplifier Kit 2882215
Audio Splitter Harness 2882309
Saddlebag Audio Lids 2879656-XXX*

YES

BUY THE FOLLOWING

Trunk Speakers
2882213
2 Channel Amplifier Kit
2882215
Audio Splitter Harness
2882309
Trunk System
See Pg. 78

*XXX- Color options available on page 114.

2017-2018
ROADMASTER®
MODELS

WANT TO ADD SADDLEBAG AUDIO?

BUY THE FOLLOWING

Saddlebag Speakers 2882212
2 Channel Amplifier Kit 2882215
Audio Splitter Harness 2882309
Saddlebag Audio Lids 2879656-XXX*

AUDIO COMPONENTS

CONCERT AUDIO LIDS

Concert Audio Lids

2879656-XXX *\$309.99 - \$669.99



Visit the painted parts section on page 115 for more information. Fits model year 2014-2018 Chieftain® family, Roadmaster® family & Indian Springfield® family.

SPEAKER KITS

Premium Speaker Kit for Hard Saddlebags

2882212 *\$309.99



Fits model year 2014-2018 Chieftain® family, Roadmaster®, Indian Springfield® & Indian Springfield® Dark Horse®. Does not fit Roadmaster® Classic.

Speaker Kit for Trunks

2882213 *\$134.99



Fits model year 2014-2018 Chieftain® family & 2016-2018 Indian Springfield® & Indian Springfield® Dark Horse®.

AMPLIFIER KITS

Non-Fairing Amplifier Kit

2882216 *\$239.99



This amplifier is designed specifically for smart phone or MP3 player input. Fits model year 2016-2018 Indian Springfield® & Indian Springfield® Dark Horse®.

2 Channel Infotainment Amplifier Kit

2882215 *\$239.99



Required to use Saddlebag & Trunk Audio together. Fits model year 2017 Chieftain® & all 2018 Chieftain® Family, 2017-2018 Roadmaster®. Does not fit Roadmaster® Classic.

4 Channel Amplifier Kit

2882214 *\$359.99



4 channel amplifier for fairing speakers and Saddlebag or Trunk Audio. Fits model year 2017-2018 Chieftain® & Chieftain Dark Horse®.

ADDITIONAL AUDIO ACCESSORIES

Audio Splitter Harness

2882309 *\$104.99



This harness will allow the bike to have both Saddlebag Audio and Trunk Audio. Fits model year 2014-2017 Chieftain® family & Indian Springfield® family, 2015-2018 Roadmaster®. Does not fit Roadmaster® Classic.

Detailed Color-Matched Accessory Information

Pg. 114-117

2019

INTRO
2-9

SCOUT®
10-25

INDIAN® CHIEF®
26-45

CHIEF® VINTAGE &
INDIAN SPRINGFIELD®
46-69

CHIEFTAIN®
70-91

ROADMASTER®
92-109

AUDIO
110-113

COLOR-MATCHED
ACCESSORIES
114-117

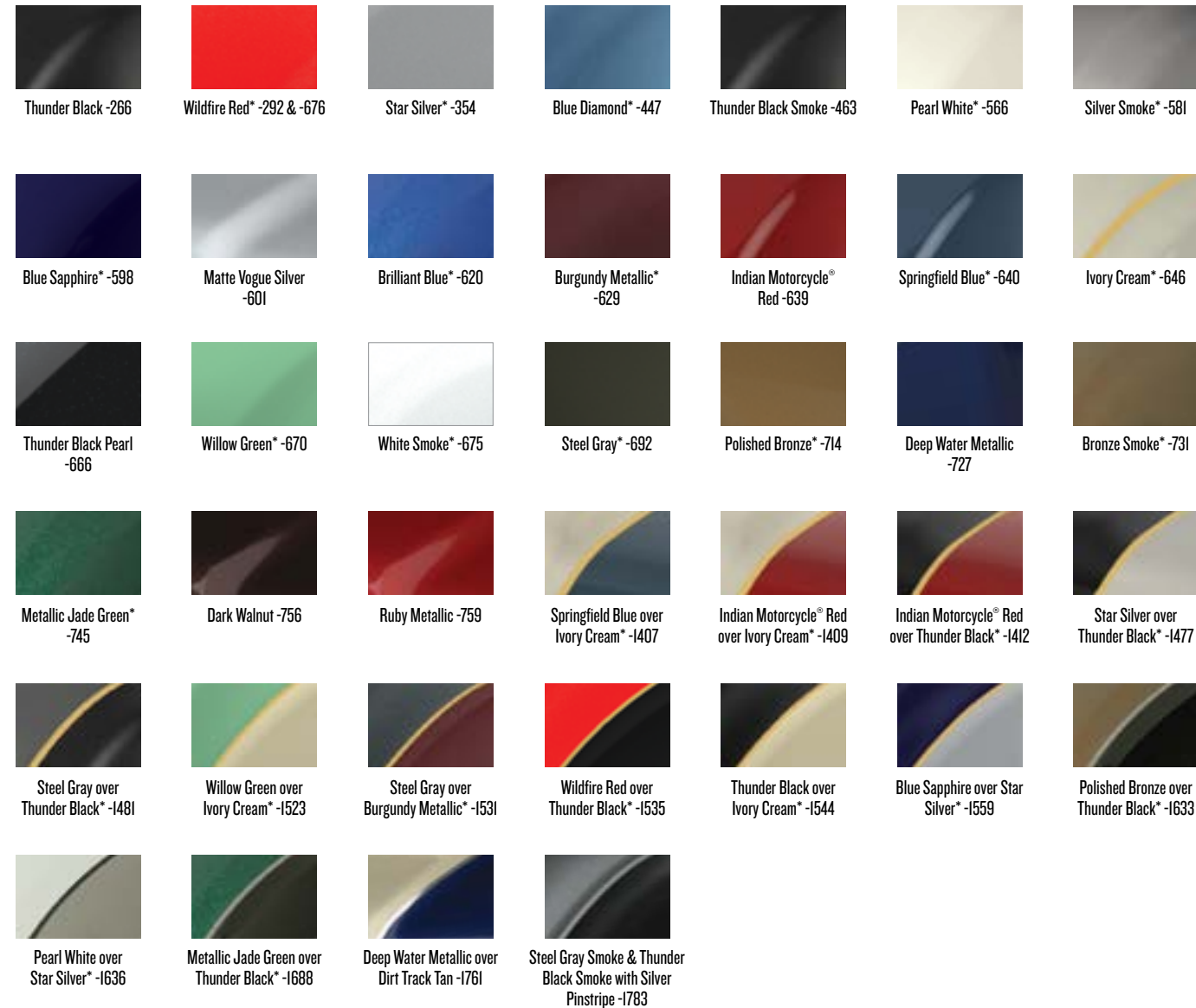
GARAGE
118-125

COLOR-MATCHED ACCESSORIES

Choosing to install authentic Indian Motorcycle® color-matched painted accessories means you get the best custom look for your bike direct from the paint factory. If you have the bike, we have the color to match it.



*Color Requires a 45-Day Lead Time.
See your Indian Motorcycle® dealer to order and for a full line of color options.



NEW POWERBAND™ AUDIO SADDLEBAG SPEAKER LIDS

| | | |
|-------------|---------------------|----------|
| 2883666-463 | Thunder Black Smoke | \$519.99 |
| 2883666-620 | NEW Brilliant Blue | \$519.99 |
| 2883666-666 | Thunder Black Pearl | \$519.99 |
| 2883666-675 | White Smoke | \$519.99 |
| 2883666-692 | Steel Gray | \$519.99 |
| 2883666-731 | Bronze Smoke | \$519.99 |
| 2883666-756 | NEW Dark Walnut | \$519.99 |
| 2883666-759 | NEW Ruby Metallic | \$519.99 |

Injection-molded lids are precision-engineered and manufactured like stock lids. They host PowerBand™ Audio 6.5" Amplified Speakers and Speaker Bezels (each sold separately). These lids replace stock lids. Color-matched with same premium finishes as stock lids. Install easily and fit perfectly. Fit model year 2019 Chieftain® family.



NEW POWERBAND™ AUDIO CLASSIC SADDLEBAG SPEAKER LIDS

| | | |
|--------------|--|----------|
| 2883670-266 | Thunder Black | \$519.99 |
| 2883670-463 | Thunder Black Smoke | \$519.99 |
| 2883670-629 | Burgundy Metallic | \$519.99 |
| 2883670-675 | White Smoke | \$519.99 |
| 2883670-1523 | Willow Green over Ivory Cream | \$519.99 |
| 2883670-1531 | Steel Gray over Burgundy Metallic | \$669.99 |
| 2883670-1544 | Thunder Black over Ivory Cream | \$669.99 |
| 2883670-1633 | Polished Bronze over Thunder Black | \$519.99 |
| 2883670-1636 | Pearl White over Star Silver | \$669.99 |
| 2883670-1688 | Metallic Jade Green over Thunder Black | \$669.99 |
| 2883670-1761 | NEW Deep Water Metallic over Dirt Track Tan | \$519.99 |
| 2883670-1783 | NEW Steel Gray Smoke & Thunder Black Smoke with Silver Pinstripe | \$519.99 |

Injection-molded lids are precision-engineered and manufactured like stock lids. They host PowerBand™ Audio 6.5" Amplified Speakers and Speaker Bezels (each sold separately). These lids replace the Classic Saddlebag Lids. Color-matched with same premium finishes as stock lids. Install easily and fit perfectly. Fit model year 2019 Chieftain® Classic, Indian Springfield® family & Roadmaster® family.

DON'T LET SCRATCHES RUIN YOUR DAY. PURCHASE INDIAN MOTORCYCLE® FACTORY ORIGINAL TOUCH-UP PAINT.

See page 125 for details.



CONCERT AUDIO LIDS

| | | |
|--------------|--|----------|
| 2879656 | Raw Part | \$309.99 |
| 2879656-266 | Thunder Black | \$519.99 |
| 2879656-447 | Blue Diamond | \$519.99 |
| 2879656-463 | Thunder Black Smoke | \$519.99 |
| 2879656-581 | Silver Smoke | \$519.99 |
| 2879656-620 | Brilliant Blue | \$519.99 |
| 2879656-629 | Burgundy Metallic | \$519.99 |
| 2879656-639 | Indian Motorcycle® Red | \$519.99 |
| 2879656-640 | Springfield Blue | \$519.99 |
| 2879656-646 | Ivory Cream | \$519.99 |
| 2879656-666 | Thunder Black Pearl | \$519.99 |
| 2879656-675 | White Smoke | \$519.99 |
| 2879656-692 | Steel Gray | \$519.99 |
| 2879656-731 | NEW Bronze Smoke | \$519.99 |
| 2879656-745 | NEW Metallic Jade Green | \$519.99 |
| 2879656-1407 | Springfield Blue over Ivory Cream | \$669.99 |
| 2879656-1409 | Indian Motorcycle® Red over Ivory Cream | \$669.99 |
| 2879656-1412 | Indian Motorcycle® Red over Thunder Black | \$669.99 |
| 2879656-1477 | Star Silver over Thunder Black | \$669.99 |
| 2879656-1481 | Steel Gray over Thunder Black | \$669.99 |
| 2879656-1523 | Willow Green over Ivory Cream | \$669.99 |
| 2879656-1531 | Steel Gray over Burgundy Metallic | \$669.99 |
| 2879656-1535 | Wildfire Red over Thunder Black | \$669.99 |
| 2879656-1544 | NEW Thunder Black over Ivory Cream | \$669.99 |
| 2879656-1559 | NEW Blue Sapphire over Star Silver | \$669.99 |
| 2879656-1633 | NEW Polished Bronze over Thunder Black | \$669.99 |
| 2879656-1636 | NEW Pearl White over Star Silver | \$669.99 |
| 2879656-1688 | NEW Metallic Jade Green over Thunder Black | \$669.99 |

Fits model year 2014-2018 Chieftain® family, Indian Springfield®, Indian Springfield® Dark Horse® & Roadmaster®.



NEW HARD LOWER FAIRINGS

| | | |
|-------------|-------------------------|----------|
| 2883984-266 | Thunder Black | \$929.99 |
| 2883984-354 | Star Silver | \$929.99 |
| 2883984-463 | Thunder Black Smoke | \$929.99 |
| 2883984-581 | Silver Smoke | \$929.99 |
| 2883984-620 | Brilliant Blue | \$929.99 |
| 2883984-639 | Indian Motorcycle® Red | \$929.99 |
| 2883984-640 | Springfield Blue | \$929.99 |
| 2883984-666 | Thunder Black Pearl | \$929.99 |
| 2883984-670 | Willow Green | \$929.99 |
| 2883984-675 | White Smoke | \$929.99 |
| 2883984-692 | Steel Gray | \$929.99 |
| 2883984-727 | NEW Deep Water Metallic | \$929.99 |
| 2883984-731 | NEW Bronze Smoke | \$929.99 |
| 2883984-756 | NEW Dark Walnut | \$929.99 |
| 2883984-759 | NEW Ruby Metallic | \$929.99 |

Fits model year 2014-2019 Chieftain® family & Roadmaster® family.



2019

INTRO
2-9

SCOUT®
10-25

INDIAN CHIEF®
26-45

CHIEF VINTAGE &
INDIAN SPRINGFIELD®
46-69

CHIEFTAIN®
70-91

ROADMASTER®
92-109

AUDIO
110-113

COLOR-MATCHED
ACCESSORIES
114-117

GARAGE
118-125



QUICK RELEASE

QUICK RELEASE TRUNK

| | | |
|--------------|--|------------|
| 2884046-266 | Thunder Black | \$1,849.99 |
| 2884046-463 | Thunder Black Smoke | \$1,849.99 |
| 2884046-581 | Silver Smoke | \$1,849.99 |
| 2884046-601 | Matte Vogue Silver | \$1,849.99 |
| 2884046-620 | Brilliant Blue | \$1,849.99 |
| 2884046-639 | Indian Motorcycle® Red | \$1,849.99 |
| 2884046-666 | Thunder Black Pearl | \$1,849.99 |
| 2884046-675 | White Smoke | \$1,849.99 |
| 2884046-692 | Steel Gray | \$1,849.99 |
| 2884046-731 | Bronze Smoke | \$1,849.99 |
| 2884046-756 | NEW Dark Walnut | \$1,849.99 |
| 2884046-759 | NEW Ruby Metallic | \$1,849.99 |
| 2884046-1407 | Springfield Blue over Ivory Cream | \$1,949.99 |
| 2884046-1409 | Indian Motorcycle® Red over Ivory Cream | \$1,949.99 |
| 2884046-1412 | Indian Motorcycle® Red over Thunder Black | \$1,949.99 |
| 2884046-1477 | Star Silver over Thunder Black | \$1,949.99 |
| 2884046-1531 | Steel Gray over Burgundy Metallic | \$1,949.99 |
| 2884046-1535 | Wildfire Red over Thunder Black | \$1,949.99 |
| 2884046-1544 | NEW Thunder Black over Ivory Cream | \$1,949.99 |
| 2884046-1559 | Blue Sapphire over Star Silver | \$1,949.99 |
| 2884046-1688 | Metallic Jade Green over Thunder Black | \$1,949.99 |
| 2884046-1761 | NEW Deep Water Metallic over Dirt Track Tan | \$1,949.99 |

Fits model year 2014-2019 Chieftain® family, Roadmaster®, Indian Springfield® & Indian Springfield® Dark Horse®. Stock on Roadmaster®.



OPEN FRONT FENDER

| | | |
|-------------|--------------------------|----------|
| 2882761 | Raw Part | \$309.99 |
| 2882761-266 | Thunder Black | \$499.99 |
| 2882761-354 | Star Silver | \$499.99 |
| 2882761-463 | Thunder Black Smoke | \$499.99 |
| 2882761-566 | Pearl White | \$499.99 |
| 2882761-581 | Silver Smoke | \$499.99 |
| 2882761-598 | Blue Sapphire | \$499.99 |
| 2882761-629 | Burgundy Metallic | \$499.99 |
| 2882761-639 | Indian Motorcycle® Red | \$499.99 |
| 2882761-640 | Springfield Blue | \$499.99 |
| 2882761-666 | Thunder Black Pearl | \$499.99 |
| 2882761-670 | Willow Green | \$499.99 |
| 2882761-675 | White Smoke | \$499.99 |
| 2882761-676 | Wildfire Red | \$499.99 |
| 2882761-692 | Steel Gray | \$499.99 |
| 2882761-731 | Bronze Smoke | \$619.99 |
| 2882761-745 | Metallic Jade Green | \$499.99 |
| 2882761-756 | NEW Dark Walnut | \$619.99 |
| 2882761-759 | NEW Ruby Metallic | \$619.99 |

Recommended with 19" 10-Spoke Front Wheel (part numbers vary), sold separately. Fits model year 2014-2019 Chieftain® family, Roadmaster®, Roadmaster® Classic, Indian Springfield® & Indian Springfield® Dark Horse®. Stock on Chieftain® Limited & Indian Springfield® Dark Horse®.



BEZEL

| | | |
|-------------|--------------------------------|----------|
| 2881770 | Raw Part | \$104.99 |
| 2881770-266 | Thunder Black | \$154.99 |
| 2881770-354 | Star Silver | \$154.99 |
| 2881770-447 | Blue Diamond | \$154.99 |
| 2881770-463 | Thunder Black Smoke | \$154.99 |
| 2881770-566 | Pearl White | \$154.99 |
| 2881770-581 | Silver Smoke | \$154.99 |
| 2881770-598 | Blue Sapphire | \$154.99 |
| 2881770-620 | Brilliant Blue | \$154.99 |
| 2881770-629 | Burgundy Metallic | \$154.99 |
| 2881770-639 | Indian Motorcycle® Red | \$154.99 |
| 2881770-640 | Springfield Blue | \$154.99 |
| 2881770-646 | Ivory Cream | \$154.99 |
| 2881770-666 | Thunder Black Pearl | \$154.99 |
| 2881770-670 | Willow Green | \$154.99 |
| 2881770-675 | White Smoke | \$154.99 |
| 2881770-692 | Steel Gray | \$154.99 |
| 2881770-714 | Polished Bronze | \$154.99 |
| 2881770-727 | NEW Deep Water Metallic | \$154.99 |
| 2881770-731 | Bronze Smoke | \$154.99 |
| 2881770-759 | NEW Ruby Metallic | \$154.99 |

Fits model year 2014-2018 Chieftain® family & 2015-2019 Roadmaster® family.



2019

INTRO

2-9

SCOUT®

10-25

INDIAN® CHIEF®

26-45

CHIEF® VINTAGE & INDIAN SPRINGFIELD®

46-69

CHIEFTAIN®

70-91

ROADMASTER®

92-109

AUDIO

110-113

COLOR-MATCHED ACCESSORIES

114-117

GARAGE

118-125



Indian MOTORCYCLE
AUTHENTIC PARTS & LUBRICANTS



Indian Motorcycle® invests millions in engine development, and part of that investment is making sure its lubricants—critical to engine performance—are the right formula for your specific engine. The amount of testing data and engineering resources used in developing Indian Motorcycle® lubricants would overwhelm an aftermarket company. Therefore, the aftermarket must produce an oil to an industry-wide standard that must account for a variety of operating parameters.

Thunder Stroke® 111 Oil Change Kit

2880067 5.5 Quarts – 20W-40 Semi Synthetic Motor Oil



Contains: 1 Oil Filter (2521421) and 2 Washers. Compatible with all Thunder Stroke® III air cooled Indian Motorcycle® engines.

Indian® Scout® Oil Change Kit

2880191 4 Quarts – 15W-60 Full Synthetic Motor Oil



Contains: 1 Oil Filter (2520799), and 2 Washers. Compatible with all Indian® Scout® family engines.

15W-60 Full Synthetic Motor Oil

2880187 Quart
2880188 Drum – 55 Gallons



Indian® 15W60 is approved for use in all air cooled and liquid cooled Indian Motorcycle® engines. Our wide viscosity range and advanced SN level additive system smooths shift effort, enhances clutch wear and feel for positive engagement under heavy loads, and delivers the best thermal heat and cam wear protection available. Extended 10k mile oil change interval on all Scout® engines.

20W-40 Semi-Synthetic Engine Oil

2880012 Quart
2880013 Drum – 55 Gallons



Approved for use in all Thunder Stroke® III air cooled Indian Motorcycle® engines. High heat shear stability, engine wear protection and enhanced clutch wear protection.

15W-60 Retro 4-pk Oil Kit

2830497 4 Quarts



Limited edition retro 4 pack 15W-60 synthetic oil can kit. Each kit consists of 4 retro steel quart cans filled with Indian 15W-60 Synthetic Engine Oil, packaged in a unique woodgrain crate-look carton.

Indian® Carbon Cleaner

2881911 12 fl oz.



Total fuel system cleaner. Stabilized fuel for up to 2 years. Removes carbon deposits from injectors, valves, piston rings and combustion chamber.

50/50 Premix Extended Life Anti-Freeze

2880966 1 Quart



Advanced extended life coolant designed for use in all liquid cooled Indian® motorcycles.

DOT-4 Brake Fluid

2880016 12 fl oz.



DOT-4 Brake Fluid maintains viscosity over a wide temperature range. Designed for use in all Indian® motorcycles, including ABS systems.

Indian® Transmission Fluid

2880014 Quart



Designed for use in all pre-2014 Indian Motorcycle® transmissions. Full Synthetic formula protects gears and bearing against scoring and wear.

Fork Oil

2880015 Quart



Developed with a high viscosity index to resist shear, foaming, heat and internal shock wear.

Oil Filter

2520799*
2521421**



*Compatible with Indian® Scout® family.
**Compatible with all Thunder Stroke® III models made after 2014.

Chrome Oil Filter

2880867-156



Compatible with all Thunder Stroke® III models made after 2014.

MAINTENANCE SCHEDULE

BREAK-IN MAINTENANCE

ENGINE OIL & FILTER:
CHANGE & REPLACE

AIR FILTER:
INSPECT
REPLACE AS NEEDED

SPARK PLUGS:
INSPECT
REPLACE AS NEEDED

DRIVE BELTS:
INSPECT & ADJUST TENSION
INSPECT FOR WEAR OR DAMAGE
REPLACE AS NEEDED

FRONT FORK OIL:
INSPECT
REPLACE AS NEEDED

2500 MILES

ENGINE OIL:
CHECK LEVEL

AIR FILTER:
INSPECT
REPLACE AS NEEDED

SPARK PLUGS:
INSPECT
REPLACE AS NEEDED

DRIVE BELTS:
INSPECT & ADJUST TENSION
INSPECT FOR WEAR OR DAMAGE
REPLACE AS NEEDED

FRONT FORK OIL:
INSPECT
REPLACE AS NEEDED

5000 MILES

ENGINE OIL:
CHANGE & REPLACE
THUNDER STROKE® III MODELS

AIR FILTER:
INSPECT
REPLACE AS NEEDED

SPARK PLUGS:
INSPECT
REPLACE AS NEEDED

DRIVE BELTS:
INSPECT & ADJUST TENSION
INSPECT FOR WEAR OR DAMAGE
REPLACE AS NEEDED

FRONT FORK OIL:
INSPECT
REPLACE AS NEEDED

10,000 MILES

ENGINE OIL:
CHANGE & REPLACE

AIR FILTER:
REPLACE
SCOUT® MODELS

SPARK PLUGS:
INSPECT
REPLACE AS NEEDED

DRIVE BELTS:
INSPECT & ADJUST TENSION
INSPECT FOR WEAR OR DAMAGE
REPLACE AS NEEDED

FRONT FORK OIL:
INSPECT
REPLACE AS NEEDED

15,000 MILES

ENGINE OIL:
CHANGE & REPLACE

AIR FILTER:
REPLACE
THUNDER STROKE® III MODELS

SPARK PLUGS:
INSPECT
REPLACE AS NEEDED

DRIVE BELTS:
INSPECT & ADJUST TENSION
INSPECT FOR WEAR OR DAMAGE
REPLACE AS NEEDED

FRONT FORK OIL:
REPLACE

CHECK YOUR OWNER'S MANUAL FOR ADDITIONAL RECOMMENDED SERVICE ITEMS AND VEHICLE-SPECIFIC TIMING

SERVICE PARTS

INDIAN MOTORCYCLE ENGINEERED™ SERVICE PARTS DELIVER UNMATCHED PERFORMANCE AND FIT FOR YOUR MOTORCYCLE.

All service parts are developed and tested for your vehicle. Electrical components, clutching components, fenders, and decals are the same parts that are manufactured on the factory lines for each specific model. This ensures it doesn't merely fit your motorcycle – it outperforms your expectations!

SHOP FOR SERVICE PARTS ONLINE OR VISIT YOUR INDIAN MOTORCYCLE® DEALER.

CHECK OUT OUR PARTS FINDER ON INDIANMOTORCYCLE.COM FOR EASY PARTS LOOK-UP, PARTS IDENTIFICATION, VIEWS OF ASSEMBLIES & MORE!



OVER 100,000 PARTS AVAILABLE!



2019

INTRO
2-9

SCOUT™
10-25

INDIAN™ CHIEF™
26-45

CHIEF™ VINTAGE &
INDIAN SPRINGFIELD™
46-69

CHIEFTAIN™
70-91

ROADMASTER™
92-109

AUDIO
110-113

COLOR-MATCHED
ACCESSORIES
114-117

GARAGE
118-125



STEP 1

Visit indianmotorcycle.com
Click “Parts & Service” tab
Click “Service Parts”



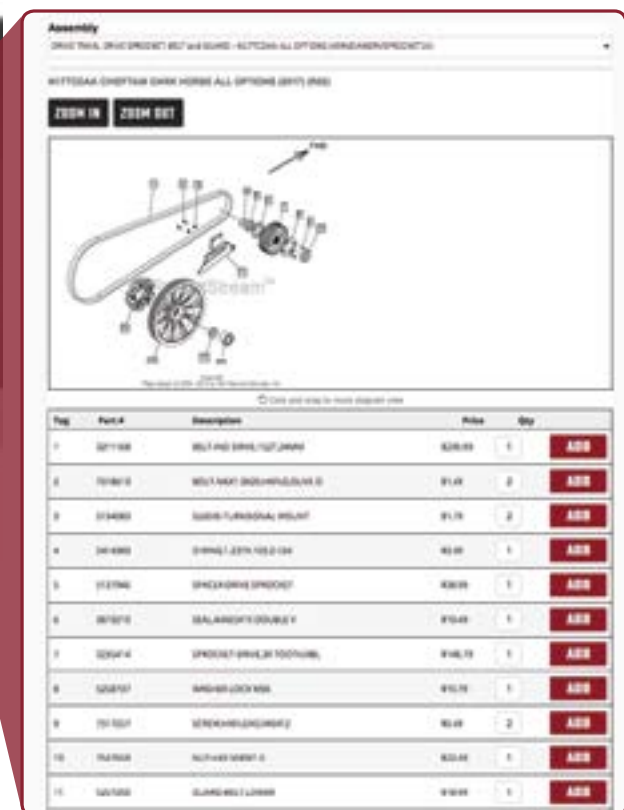
STEP 2

Enter **vehicle year/model** or shop by **part number**



STEP 3

Clearly see what parts are required and **order**



INTRO
2-9

SCOUT®
10-25

INDIAN® CHIEF®
26-45

CHIEF® VINTAGE &
INDIAN SPRINGFIELD®
46-69

CHIEFTAIN®
70-91

ROADMASTER®
92-109

AUDIO
110-113

COLOR-MATCHED
ACCESSORIES
114-117

GARAGE
118-125



ENSURE YOUR BIKE IS READY WHEN YOU ARE!

BatteryMINDER®

- Add years of capacity, power and range to new and older batteries, regardless of type or brand
- Never over or under charged in any temperature
- Leave your vehicle connected for months and return to fully charged and conditioned batteries
- Recover older-weak batteries that would normally need to be replaced
- Charge and maintain extra-backup batteries as well as those in your vehicle
- Automatic turn-on, sleeps while keeping your batteries at full-charge
- Easy push-button selector to change battery type or time

BATTERY MAINTENANCE TIPS

Extend your battery life with a BatteryMINDER® and these tips.

1. Store batteries in a cool, dry location.
2. Check that the battery connections are tight. Cables should not be able to be rotated or shifted by hand.
3. If your battery has a drain tube, make sure it is free of clogs.
4. Clean your battery - use a soft brush to scrub the top of the battery. Use baking soda to remove grease.
5. Connect a BatteryMINDER® after using your vehicle even if the vehicle is in regular use.



**BatteryMINDER®
2012 AGM 2 Amp**

2830438 \$99.99

- 12 Volt BatteryMINDER® with 2 AMP charging current and overcharge protection.
- Can maintain up to 6 batteries at a time.
- Compatible with 12 Volt sealed AGM lead-acid batteries.
- Comes with non-fused battery clip cord set with Quick Connector.
- Designed for high performance specialty AGM sealed batteries.
- Comes with 5 year warranty.

BatteryMINDER® ACCESSORIES



**VPP-12:12/24 Volt Vehicle
Power Plug**

2830518 \$10.00

Allows easy connection to vehicle's battery through lighter or 12/24V power port with replaceable 15 amp fuse.



Ring Terminal Kit

2830437 \$9.99

Features 24-inch long 18-gauge wire. Plug has standard 5/16" negative and 3/8" positive terminals. Replaceable 15 amp in-line fuse for circuit protection. SAE quick connector and cap.



12' Extension Cable

2830410 \$12.99

Made with heavy-duty 16 gauge black zip cord featuring automotive SAE bullet connectors.



Multi-Battery Splitter

2830409 \$24.99

A simple, safe, and affordable way to connect two batteries simultaneously for easy battery maintenance. Includes a set of ring terminals.



EZ Connect

2830411 \$34.99

Allows for quick and easy connecting and disconnecting of your BatteryMINDER®. Includes a set of ring terminals.

Indian® Chief® Covers

- A. 2861038-01 Indian® Chief® All Weather Cover \$154.99
- B. 2861039-01 Indian® Chief® Dust Cover \$164.99
- C. 2861040-01 Indian® Chief® Half Cover \$59.99
- D. 2861041-01 Indian® Chief® Travel Cover \$59.99

Fits 2014-2019 Indian® Chief®, Chief® Classic, Chief® Vintage, Chief Dark Horse®, Indian Springfield® & Indian Springfield® Dark Horse®.



Touring Covers

- A. 2881181 Touring Half Cover \$69.99
- B. 2881487 Touring Travel Cover \$79.99
- C. 2881168 Touring All Weather Cover \$174.99
- D. 2882498 Touring Soft Cover \$164.99

Fits 2014-2019 Chieftain® models, Roadmaster® models, Indian Springfield® & Indian Springfield® Dark Horse®.



Garage Door Opener

2882132 \$154.99

Fits 2017-2019 Chieftain® family & Roadmaster® family.



Indian® Chieftain® Covers

- A. 2861035-01 Indian® Chieftain® All Weather Cover \$164.99
- B. 2861036-01 Indian® Chieftain® Dust Cover \$154.99
- C. 2861037-01 Indian® Chieftain® Travel Cover \$79.99

Fits 2014-2019 Chieftain® models.



Scout® Cover

2863936 Scout® All Weather Cover \$154.99

Fits model year 2014-2019 Scout® family.



Seat Cover

2881126 \$39.99

Fits model year 2014-2019.



Tamper Proof Screw Sets

- 2880140-01 Kit 1 \$39.99
- 2880140-02 Kit 2 \$39.99
- 2880140-03 Kit 3 \$39.99
- 2880140-04 Kit 4 \$39.99

Unique head prevents Phillips or flathead screwdriver from removing screws. Driver handle has built-in storage. Screws replace stock mounting screws. Includes six screws, driver, and driver handle. Recommended use on Quick Release Passenger Sissy Bar.



PORTABLE POWER

NEW

Flex Jumpstarter

2830530 \$99.99

The Flex Jumpstarter is the perfect companion for any Indian Motorcycle® ride. Flex is small enough to store in your saddlebag, holds its charge so you can count on it when it's needed, and it doubles as a flashlight.

- Includes:
- 8,000 mAh Lithium Jump Starter
 - Thermoform Carrying Case
 - Micro USB Charging Cable
 - Jumper Cables
 - Battery Maintainer Cable

Fits all Indian® motorcycles, as well as any engine up to 4.6L.



Indian Motorcycle® Touch Up Paint

- | | | |
|----------------|----------------|-------------------|
| Paint Pen | 2859080-XXXXKI | \$13.99 - \$44.99 |
| 12 Oz. Aerosol | 2859078-XXXXKI | \$24.99 - \$74.99 |
| Quart | 2859079-XXXXKI | See Dealer |

Factory Original Touch-Up Paint. All kits contain 1-3 separate paint components. XXX in part numbers ties to a paint color code. See your dealer or www.indianmotorcycle.com/accessories for more information.



Indian Motorcycle® Magnetic Parts Tray

2830433 \$5.99



Leather Care Kit

2205789 \$54.99

Leather Care Kit with Tan Leather Dye, Leather Cleaner, Leather Sealer, sponge and towel.



Indian Motorcycle® 3-Position Garage Creeper

2830456 \$169.99



2019

INTRO
2-9

SCOUT®
10-25

INDIAN® CHIEF®
26-45

CHIEF® VINTAGE &
INDIAN SPRINGFIELD®
46-69

CHIEFTAIN®
70-91

ROADMASTER®
92-109

AUDIO
110-113

COLOR-MATCHED
ACCESSORIES
114-117

GARAGE
118-125



PREMIUM CARE

HASSLE FREE MAINTENANCE FOR YOUR MOTORCYCLE

Service at all participating Indian Motorcycle® dealerships in the US and Canada

Factory trained technicians & Genuine Indian Motorcycle® parts

No deductible

Transferable to next owner to increase resale value

A simple solution to keep you riding

Prepaid cost to protect against inflation

VISIT INDIANMOTORCYCLE.COM/PREMIUMCARE OR SEE YOUR DEALER FOR MORE INFORMATION.



COVERAGE LEVELS:

CARE:

3 YEARS / 15,000 MILES / 24,000 km (5 VISITS) **OR**
5 YEARS / 25,000 MILES / 40,000 km (7 VISITS)

COVERED SERVICES:

- Engine Oil & Filter Change
- Multi-Point Inspection* (including 2,500 mile inspection)

ADDITIONAL BENEFITS:

- Roadside Assistance
- 5% Off All Parts & Accessories

CARE PLUS:

3 YEARS / 15,000 MILES / 24,000 km (5 VISITS) **OR**
5 YEARS / 25,000 MILES / 40,000 km (7 VISITS)

COVERED SERVICES:

- Engine Oil & Filter Change
- Front Fork Oil Change
- Fuel Filter / Pump Replacement**
- Air Filter Replacement
- Brake Fluid Change
- Full Lubrication (Clutch Cable & Lever, Front Brake Lever, Shift Lever, Rear Suspension Rocker, Rear Brake Pedal, Side Stand)
- Multi-Point Inspection* (including 2,500 mile inspection)
- Test Ride to Ensure Performance

ADDITIONAL BENEFITS:

- Roadside Assistance
- 10% Off All Parts & Accessories

**Indicates Scout® only service.

All services performed will align with owner's manual recommended maintenance schedule.

EXPLANATION OF ADDITIONAL BENEFITS:

- **5% OR 10% OFF PARTS & ACCESSORIES**
Discount redeemable at Indian Motorcycle® dealerships only. (Discount not valid online, on apparel, or with any other offers.)
- **ROADSIDE ASSISTANCE**
Need a tow, out of gas, dead battery, need directions?
Call 1-888-684-9327

*MULTI-POINT INSPECTION INCLUDES:

ROAD TEST & VISUAL CHECK OF: Battery, Belt, Brake Pads, Cooling System, Electrical System, Exhaust System, Fuel Line, Head Lights/Tail Lights, Loose Hardware, Steering Connections, Tires & Rims, Engine Compression, Chassis & Control Components.

Inspection items that need to be replaced or repaired are not covered in services provided.

TERMS & CONDITIONS

- Non-cancellable after 60 days.
- Serviceable at all participating Indian Motorcycle® dealerships in the US or Canada.
- Check for dealer participation before scheduling services.
- Does not cover wear items. This is not a warranty program.

FOR PROGRAM QUESTIONS CALL YOUR INDIAN MOTORCYCLE® DEALER OR 1-877-204-3697.

PROVIDED AND ADMINISTERED BY INDIAN MOTORCYCLE® SALES INC.



2019

INTRO
2-9

SCOUT®
10-25

INDIAN® CHIEF®
26-45

CHIEF® VINTAGE &
INDIAN SPRINGFIELD®
46-69

CHIEFTAIN®
70-91

ROADMASTER®
92-109

AUDIO
110-113

COLOR-MATCHED
ACCESSORIES
114-117

GARAGE
118-125

AUTHENTIC APPAREL

Visit your local dealer or IndianMotorcycle.com to see the full line of rider-tailored gear and apparel.

2019

INTRO
2-9

SCOUT™
10-25

INDIAN® CHIEF™
26-45

CHIEF™ VINTAGE &
INDIAN SPRINGFIELD™
46-69

CHIEFTAIN™
70-91

ROADMASTER™
92-109

AUDIO
110-113

COLOR-MATCHED
ACCESSORIES
114-117

GARAGE
118-125



BUILD YOUR DREAM INDIAN MOTORCYCLE®

VISIT INDIANMOTORCYCLE.COM/BUILD

Hundreds of Accessories to Choose From
Explore All Models and Colors
Get a Customized Quote from Your Dealer

2019

INTRO
2-9

SCOUT®
10-25

INDIAN® CHIEF™
26-45

CHIEF™ VINTAGE &
INDIAN SPRINGFIELD™
46-69

CHIEFTAIN™
70-91

ROADMASTER™
92-109

AUDIO
110-113

COLOR-MATCHED
ACCESSORIES
114-117

GARAGE
118-125

1 CHOOSE MODEL



2 CHOOSE TRIM & COLOR



3 CHOOSE ACCESSORIES



Always wear a helmet, protective eyewear and clothing and insist your passenger does the same. Ride within the limits of the law and your own abilities. Read and understand your owner's manual. Never ride under the influence of drugs or alcohol. Indian Motorcycle® strongly recommends riders take a Motorcycle Safety Foundation® Rider Course. For a course near you, call 1-800-446-9227. Protect riders' rights by joining the American Motorcycle Association®. For the name of your nearest Indian Motorcycle® dealer, call 1-800-POLARIS or go to polarisindustries.com. Polaris Sales Inc. reserves the right without prior notice to discontinue at any time at its discretion any of the items herein or change specifications or designs without incurring any obligation to the customer. All items are subject to availability and prior sales by our dealers. Prices are subject to change at any moment. Catalog design by SAGA Marketing. Printed in the USA.

Unless noted, trademarks are the property of Indian Motorcycle International, LLC. Apple® is a registered trademark of Apple Inc., BatteryMINDER® is a registered trademark of VDC Electronics Inc., FOX® is a registered trademark of Fox Factory Inc., SAE® is a registered trademark of Society of Automotive Engineers, Inc., Velcro® is a registered trademark of Velcro BVDA. Prices, fitment and availability are subject to change at any moment. Copyright © 2018 Indian Motorcycle International, LLC. All rights reserved.

Indian Motorcycle® recognizes the importance of environmental laws that regulate exhaust and noise emissions and is committed to developing performance parts that allow motorcycle enthusiasts to modify their vehicles in a safe and responsible manner for racing applications. Parts and kits designated with a warning triangle ⚠ indicate that usage restrictions may apply.

Emissions / Safety: Federal and many state laws prohibit the removal, modification, or rendering inoperative any part installed on motor vehicles by Indian Motorcycle® affecting emissions or safety on motor vehicles manufactured for use on a public street or highway. Violation may result in fines.

Noise: Certain Indian Motorcycle® performance parts are subject to noise-related usage restrictions. The warning statement for these parts includes the statement, "Non-competition street use may violate federal noise limits." These products are designed for use on closed course competition motorcycles only and do not conform to U.S. EPA noise emission standards. Use on motorcycles subject to EPA noise regulations constitutes tampering and is a violation of Federal law unless it can be shown that such use does not cause the motorcycle to exceed applicable Federal Standards.



PREMIUM CARE

THE ONLY FACTORY AUTHORIZED PREPAID MAINTENANCE PLAN FOR YOUR INDIAN MOTORCYCLE[®]

TO LEARN MORE GO TO Pg. 126, INDIANMOTORCYCLE.COM/PREMIUMCARE
OR VISIT YOUR LOCAL DEALER.