

DRIVING LIGHT KIT



P/N 2880732-XXX, 2884470-XXX

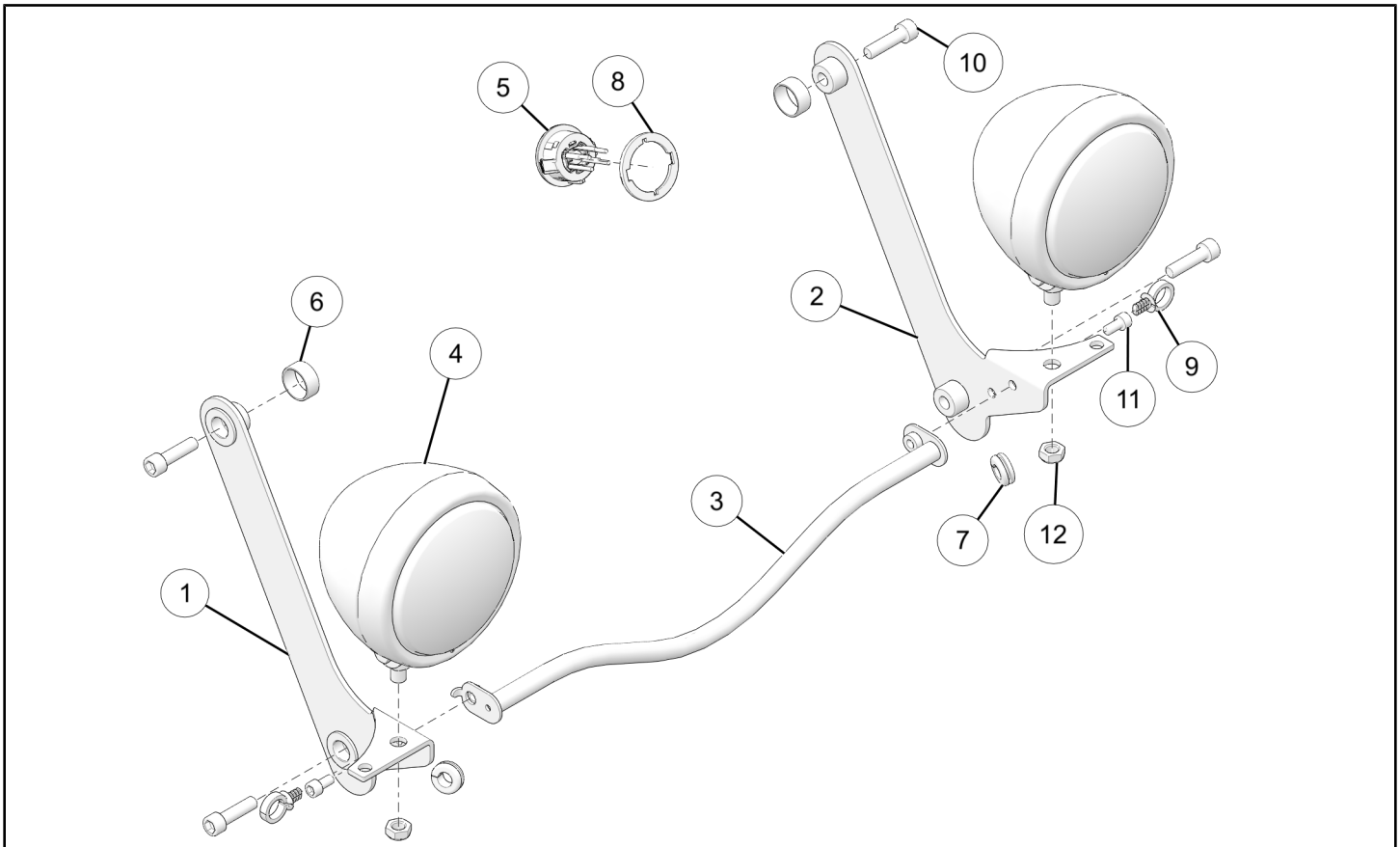
APPLICATION

Verify accessory fitment at www.indianmotorcycle.com.

BEFORE YOU BEGIN

Read these instructions and check to be sure all parts and tools are accounted for. Please retain these installation instructions for future reference and parts ordering information.

KIT CONTENTS: 2880732-XXX SHOWN



NOTE

XXX = Indian Motorcycle® color code (For example: 266 = Black)

REF	QTY	PART DESCRIPTION	P/N AVAILABLE SEPARATELY
1	1	Light Bar Bracket, RH (2880732-XXX) Light Bar Bracket, RH (2884470-XXX Only)	1020285-XXX, 5264375-XXX
2	1	Light Bar Bracket, LH (2880732-XXX) Light Bar Bracket, LH (2884470-XXX Only)	1020284-XXX, 5264376-XXX
3	1	Support Bar	1020416-XXX
4	2	Driving Light	2412458-XXX
5	1	Driving Light Switch	-

REF	QTY	PART DESCRIPTION	P/N AVAILABLE SEPARATELY
6	2	Windshield Bushing	5138827
7	2	Harness Grommet	5414884
8	1	Spacer-Switch Bezel	5451104
9	2	Push In Clip	7081968
10	4	Screw, M8 X 1.25 X 30 (2880732-XXX Only) Screw, M8 X 1.25 X 35 (2884470-XXX Only) (Not Shown)	7517361 7518347
11	2	Screw, M6 X 1.0 X 12	7517405
12	2	Thin Hex Nut, 3/8, 16 Nylon Locking	7547738
13	4	Spool, Windshield (2884470-XXX Only) (Not Shown)	5139779
14	4	Washer, 8.4 X 16.0 X 1.6 (2884470-XXX Only) (Not Shown)	7556254

TOOLS REQUIRED

- Safety Glasses
- Socket Set, Hex Bit, Metric
- Socket Set, Metric

CONSUMABLES REQUIRED

- Wire/Zip Ties

IMPORTANT

Your Indian Motorcycle® Driving Light Kit is exclusively designed for your vehicle. Please read the installation instructions thoroughly before beginning. Installation is easier if the vehicle is clean and free of debris. For your safety, and to ensure a satisfactory installation, perform all installation steps correctly in the sequence shown.

INSTALLATION INSTRUCTIONS

VEHICLE PREPARATION

GENERAL

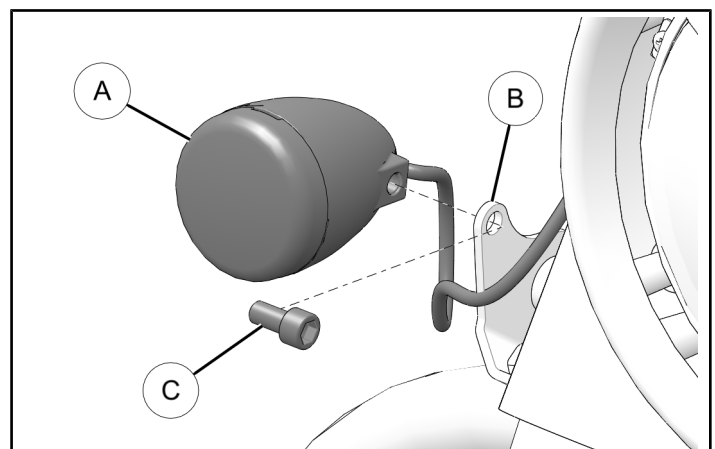
1. Turn key or ignition switch to **OFF** position and remove key. If equipped with keyless fob, remove fob from proximity of vehicle.
2. Ensure motorcycle is parked on a flat surface, kickstand is fully extended, and vehicle is stable prior to installation.
3. If equipped, remove trunk and store in a safe location.

DRIVING LIGHT INSTALLATION

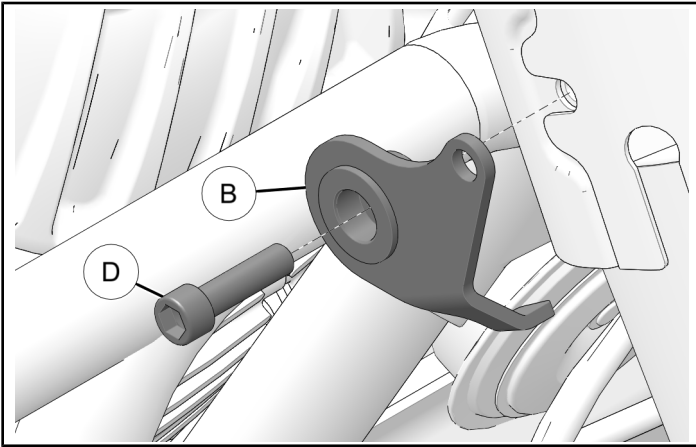
RIGHT SIDE REMOVAL

1. Turn bike to left steering stop.

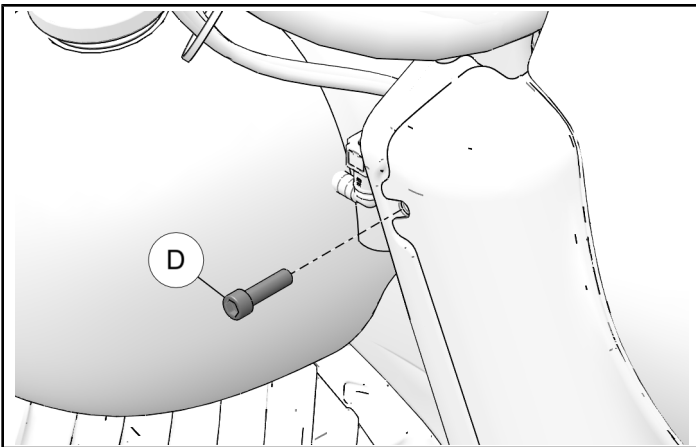
2. Remove and retain bolt (C) and turn signal (A) from bracket (B). Support and protect turn signal while leaving wiring in place.



3. Remove and discard bolt ⑩ and bracket ⑧.



4. Remove and discard top bolt ⑩ from the nacelle cover.



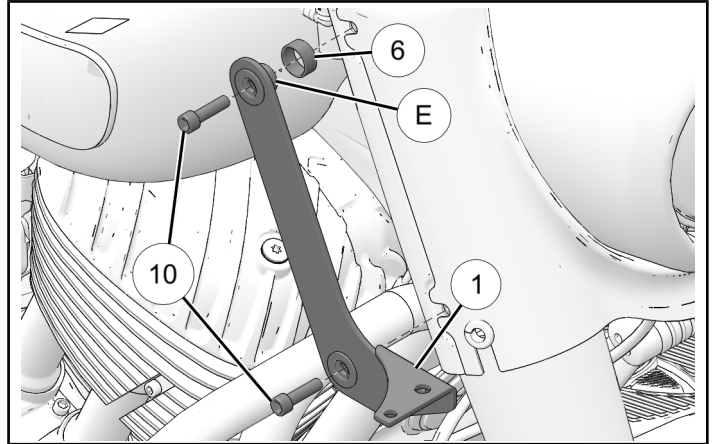
RIGHT SIDE INSTALLATION

1. Bracket Installation

- a. **Kit 2880732-XXX:** Place windshield bushing ⑥ around bracket spool ⑤ on top of light bar bracket ① and secure with screw ⑩. Install lower part of bracket using another screw ⑩. Torque Screws ⑩ to specification.

TORQUE

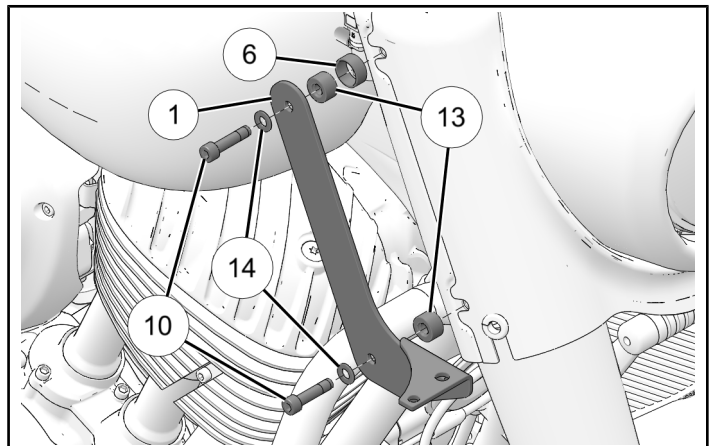
Bracket Screw ⑩:
18 ft-lbs (24.4 N·m)



- b. **Kit 2884470-XXX:** Place windshield bushing ⑥ around top spool ⑬, and install between nacelle and bracket ① using one screw ⑮ and one washer ⑭. Install lower spacer/spool ⑬ between nacelle and bracket using another washer and screw. Torque screws ⑩ to specification.

TORQUE

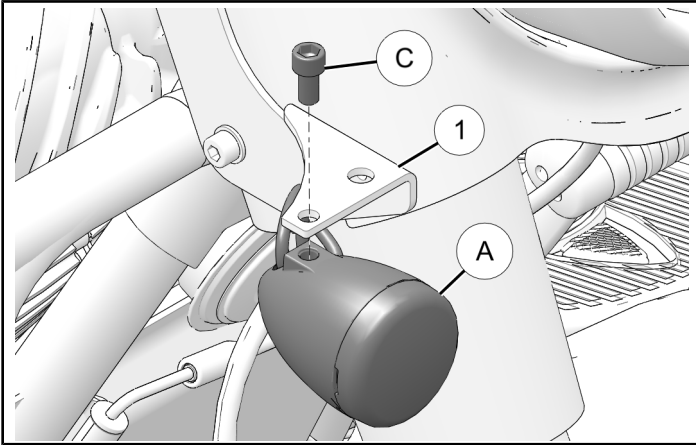
Bracket Screw ⑩:
18 ft-lbs (24.4 N·m)



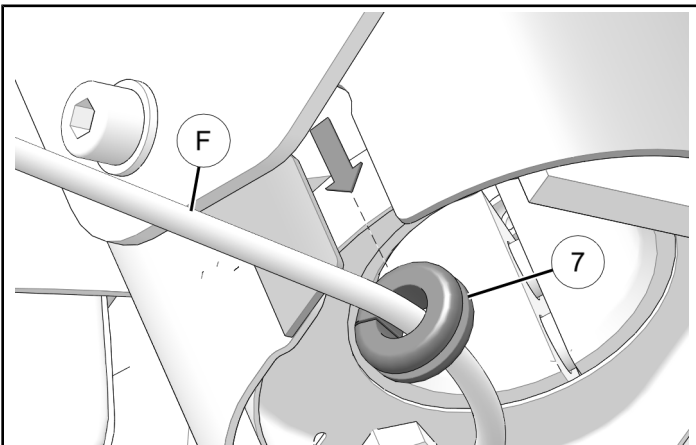
2. Install right hand turn signal **A** under horizontal section of bracket **1** using retained screw **C**. Align turn signal seam with bracket edge to ensure proper orientation. Torque signal screw **C** to specification.

TORQUE

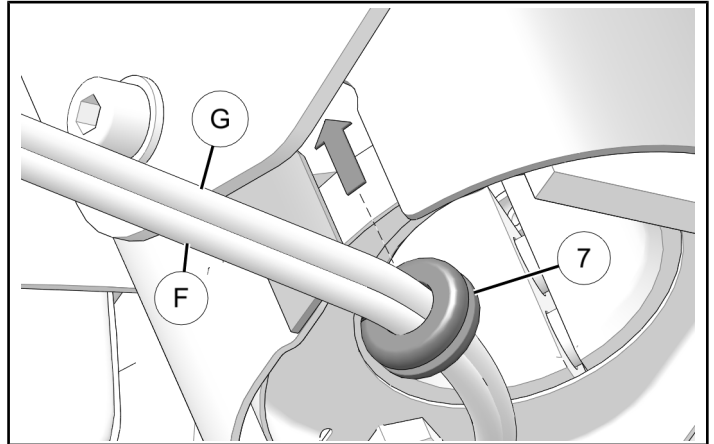
Turn Signal Screw **C**:
18 ft-lbs (24.4 N·m)



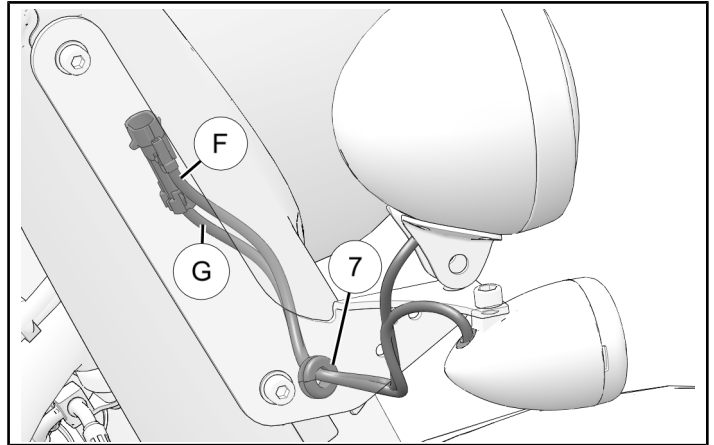
3. Slide rubber grommet **7** located around turn signal harness **F**, out of nacelle while keeping turn signal harness routed through grommet.



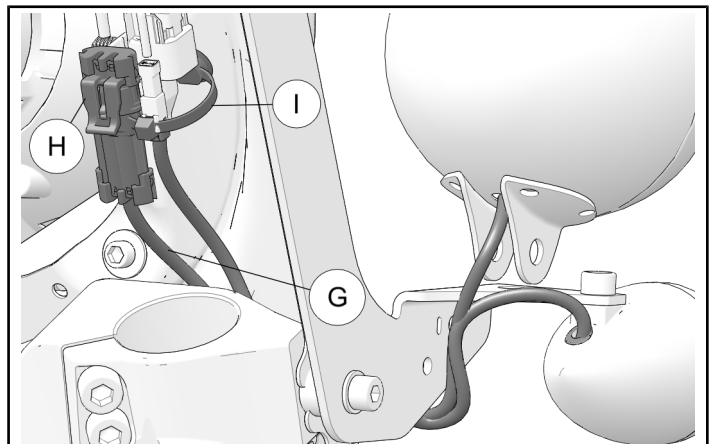
4. Route driving light harness **G** through rubber grommet **7** along with turn signal harness **F** and reinsert grommet into nacelle.



5. Slide driving light harness **G** in front of right shock and up behind main headlight. Route wire away from any pinch points.



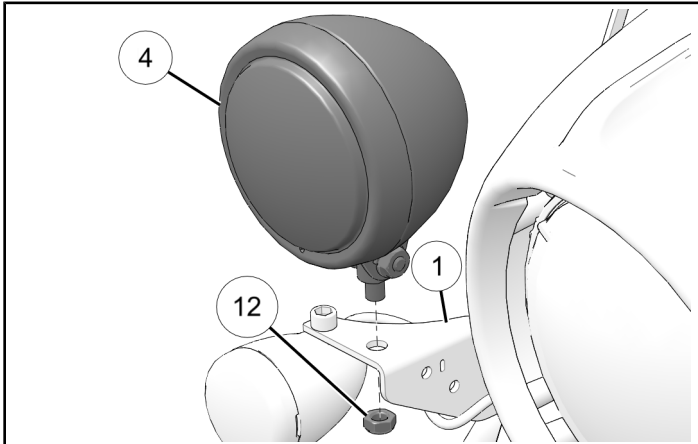
6. Locate right hand auxiliary light connector **H** behind main headlight and plug right hand driving light harness **G** into connector. Secure using wire tie **I**.



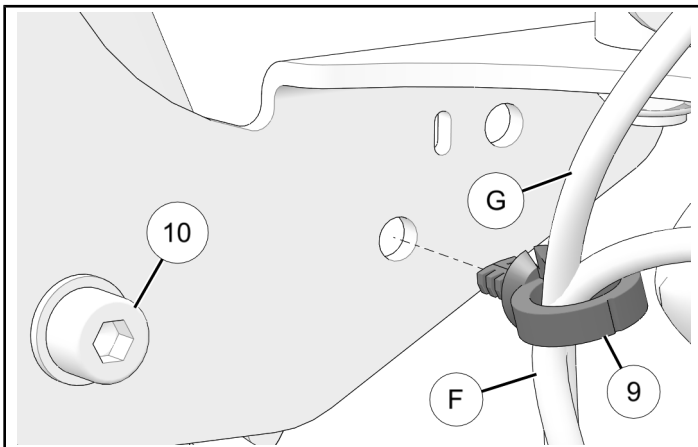
- Install right hand driving light ④ onto right hand light bracket ①. Secure with one hex nut ⑫. Align driving light with main headlight to ensure proper orientation. Torque nut to specification.

TORQUE

Driving Light Nut ⑫:
18 ft-lbs (24.4 N·m)

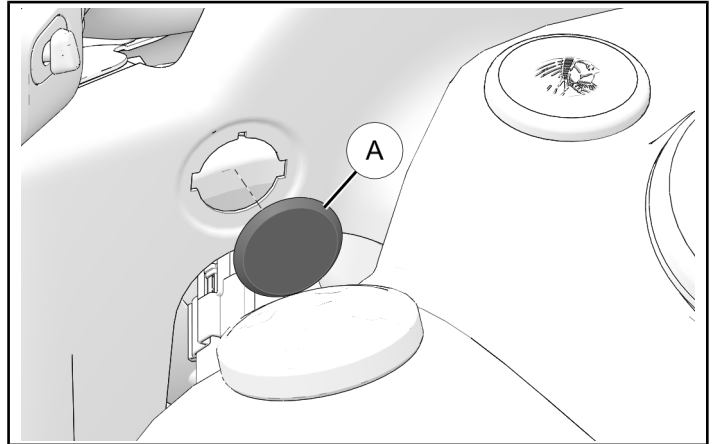


- Insert both driving light harness ⑥ and turn signal harness ⑦ into push in clip ⑨. Install into hole just above and to the right of lower right hand bracket mounting screw ⑩.

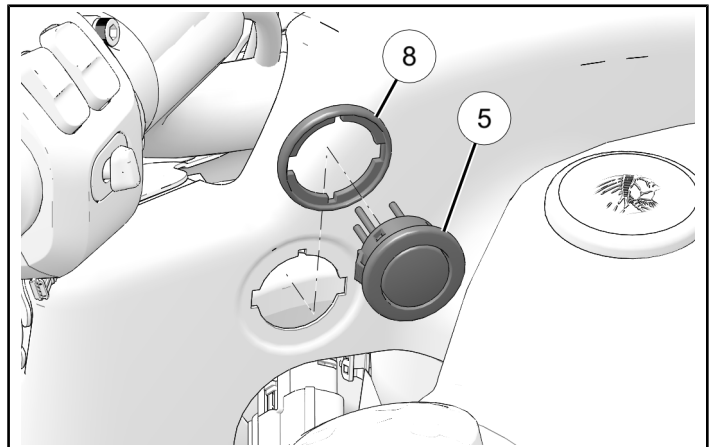


LIGHT SWITCH INSTALLATION

- Remove plug ① from main headlight nacelle.

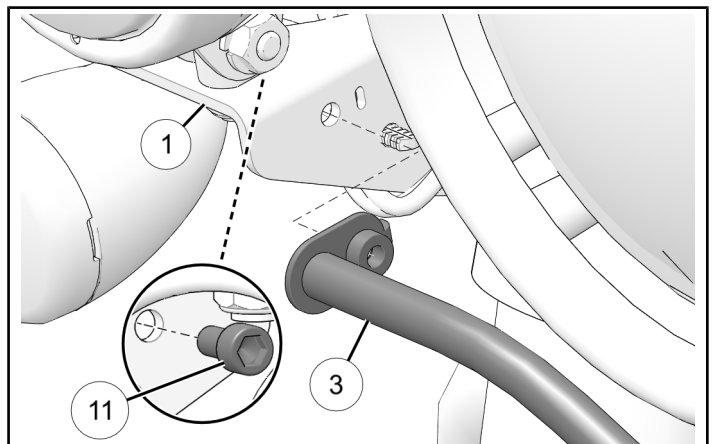


- Note locating tab on back of light switch, install switch ⑤ and spacer ⑧ as shown. Behind main headlight, locate vehicle harness connection labeled "Auxiliary Light Switch" and plug driving light switch harness ⑥ into connector. Route to prevent pinching.

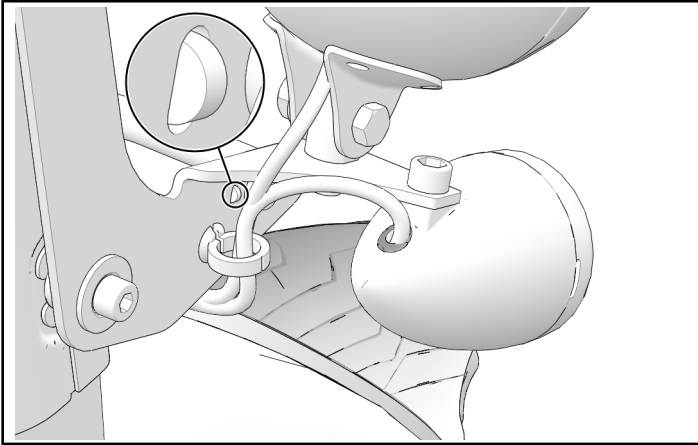


SUPPORT BAR INSTALLATION

- Install support bar ③ to right hand light bracket ① using one screw ⑪, loosely tighten.



2. Confirm tab on support bar is inserted into hole on right hand bracket.



LEFT SIDE REMOVAL

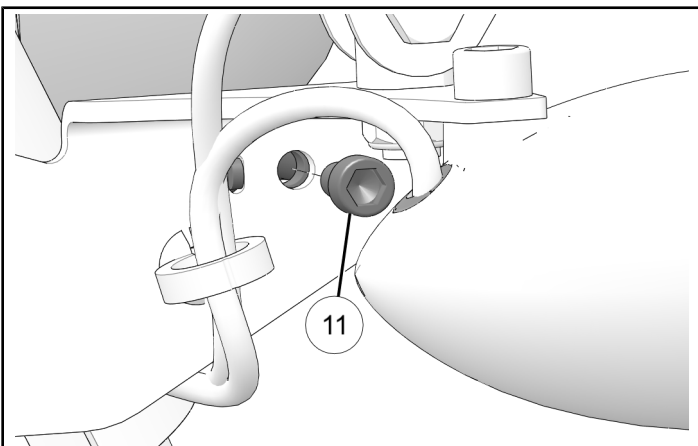
1. Turn bike to right steering stop.
2. Repeat “Right Side Removal” for left side removal.

LEFT SIDE INSTALLATION

1. Repeat “Right Side Installation” for left side installation.
2. Test functionality of driving light switch, driving lights, and turn signals.
3. Torque both loosely-tightened support bar screws ⑪ to specification.

TORQUE

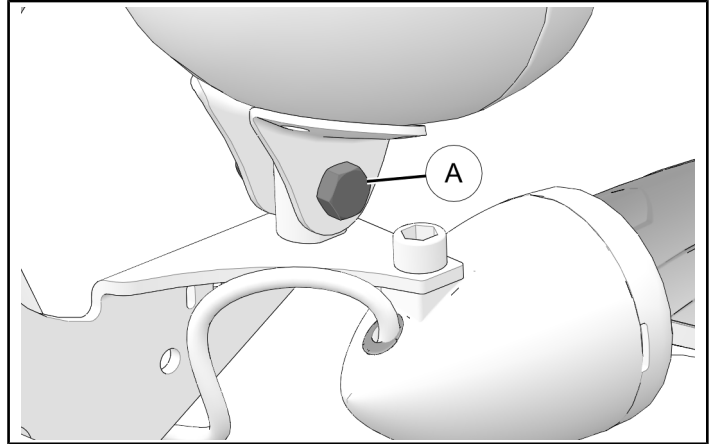
Support Bar Screw ⑪:
84 in-lbs (9.5 N·m)



4. Use “Headlight Aim Inspection” section to set position of driving light ④. Torque screw ① located in driving light bracket, to specification.

TORQUE

Light Bracket Screw ①:
18 ft-lbs (24.4 N·m)



HEADLIGHT AIM INSPECTION

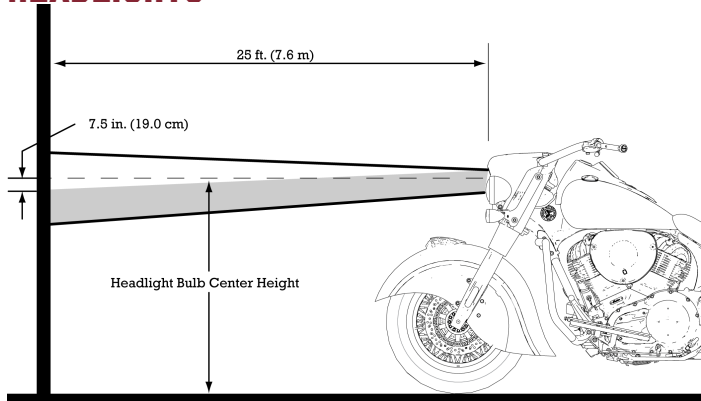
Adjust headlight aim when there is a change in load (rider, cargo, accessories, etc.) or after suspension adjustment.

HEADLIGHT INSPECTION PROCEDURE

Follow all steps below to ensure accurate aim inspection.

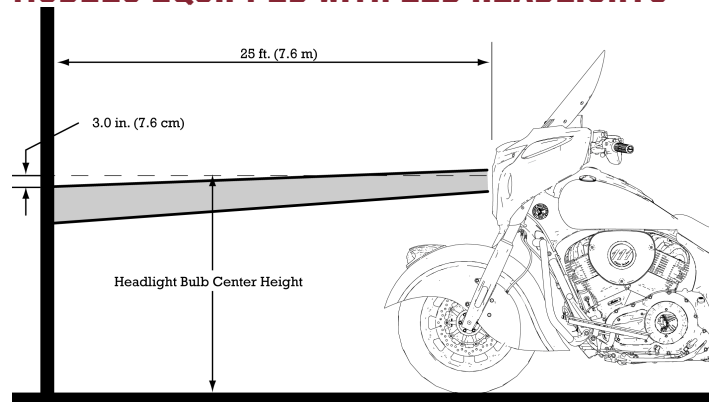
1. Check and adjust the tire pressure to specification.
2. Verify suspension ride height (preload) is set to specification.
3. Move the motorcycle to a clear area with a level floor and dim lighting, and place it so the top front edge of the headlight housing is 25 ft. (7.6 m) from the wall.
4. With the rider and passenger (if applicable) on board, bring the motorcycle to a fully upright position. Center the handlebars in a straight ahead position.
5. Start the engine and switch the headlight on to the specified mode:
 - **INCANDESCENT** = HIGH
 - **LED** = LOW
6. Compare the position of headlight beam on the wall to the illustration below and adjust if necessary.

MODELS EQUIPPED WITH INCANDESCENT HEADLIGHTS



With the headlight switched to HIGH beam, the center of highest intensity (appears as a diamond shape) should be 7.5 in (19 cm) below the height of the headlight bulb when centered straight ahead at 25 feet (7.62 m).

MODELS EQUIPPED WITH LED HEADLIGHTS



With the headlight switched to LOW beam, the top of the highest intensity (appears as a diamond shape) should be 3.0 in (7.6 cm) below the height of the headlight bulb when centered straight ahead at 25 feet (7.62 m).

FEEDBACK FORM

A feedback form has been created for the installer to provide any comments, questions or concerns about the installation instructions. The form is viewable on mobile devices by scanning the QR code or by clicking [HERE](#) if viewing on a PC.

