

GARAGE DOOR OPENER KIT



P/N 2882132

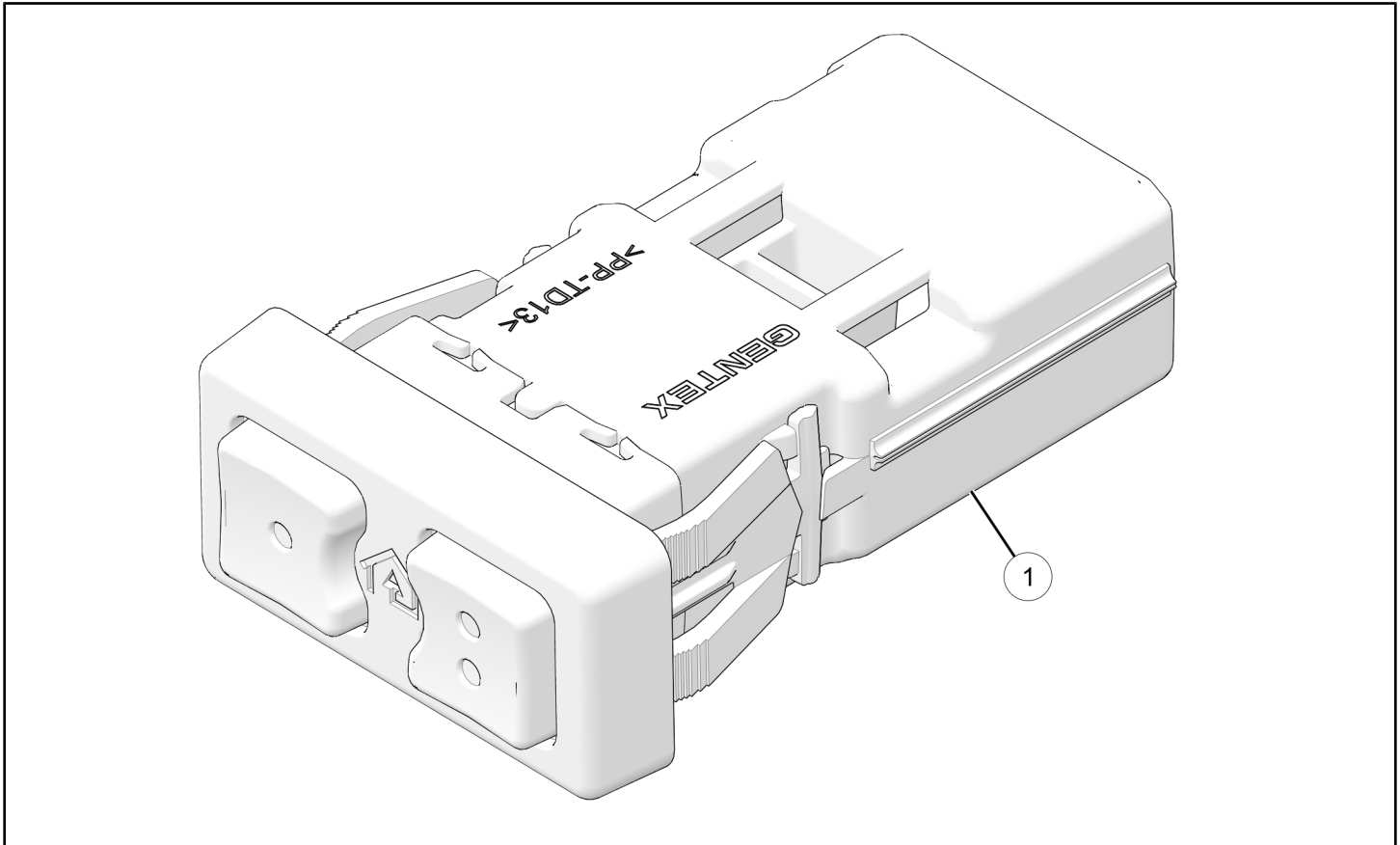
APPLICATION

Verify accessory fitment at www.indianmotorcycle.com.

BEFORE YOU BEGIN

Read these instructions and check to be sure all parts and tools are accounted for. Please retain these installation instructions for future reference and parts ordering information.

KIT CONTENTS



REF	QTY	PART DESCRIPTION	P/N AVAILABLE SEPARATELY
1	1	Module-Garage Door Opener	4015371

IMPORTANT

Your Indian Motorcycle® GARAGE DOOR OPENER KIT is exclusively designed for your vehicle. Please read the installation instructions thoroughly before beginning. Installation is easier if the vehicle is clean and free of debris. For your safety, and to ensure a satisfactory installation, perform all installation steps correctly in the sequence shown.

INSTALLATION INSTRUCTIONS

VEHICLE PREPARATION

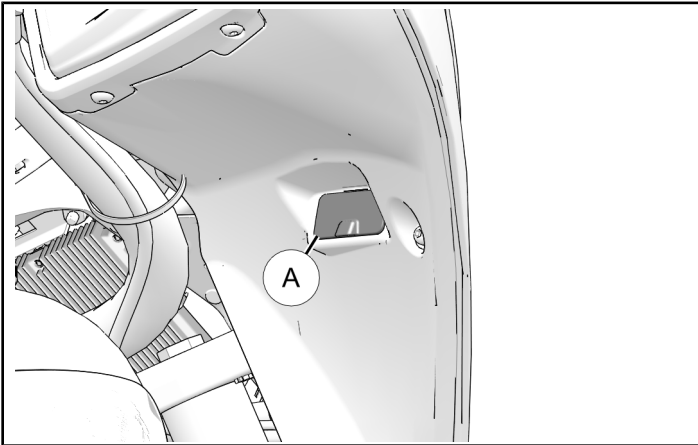
GENERAL

1. Turn key or ignition switch to **OFF** position and remove key. If equipped with keyless fob, remove fob from proximity of vehicle.

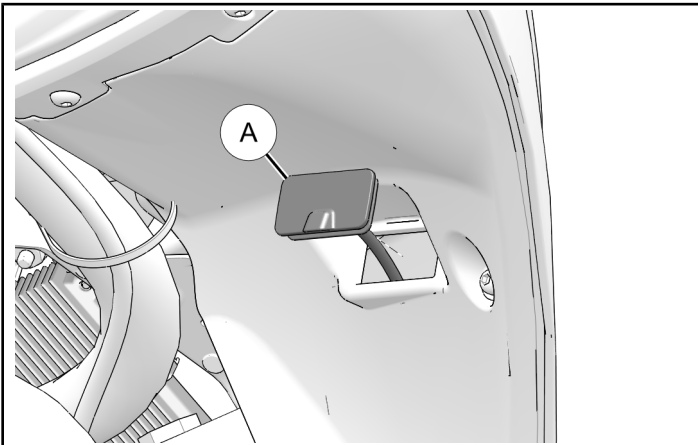
GARAGE DOOR OPENER INSTALLATION

FORK MOUNTED FAIRING BIKES

1. Locate grommet (A) on inside of right side fairing.



2. Remove grommet (A) from fairing.

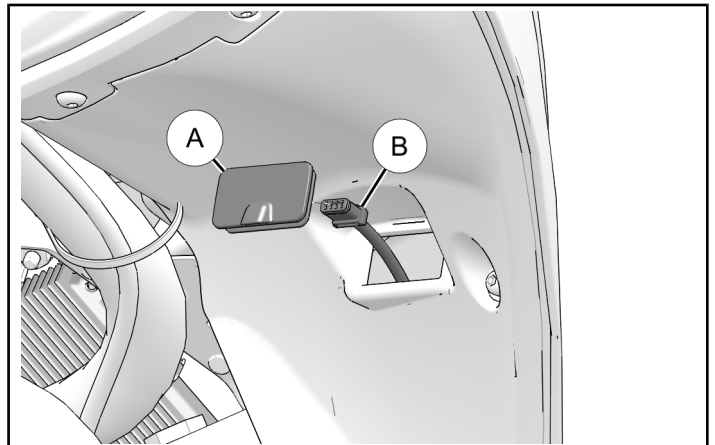


2. Ensure motorcycle is parked on a flat surface, kickstand is fully extended, and vehicle is stable prior to installation.

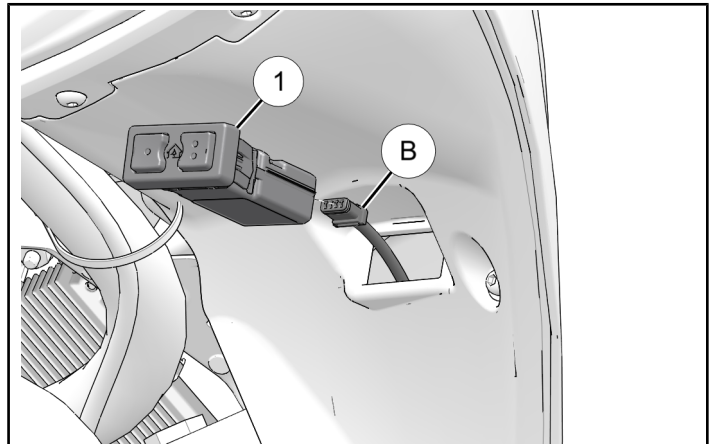
3. Grasp both grommet (A) and wire harness branch (B). Disconnect grommet from harness. Discard grommet.

NOTE

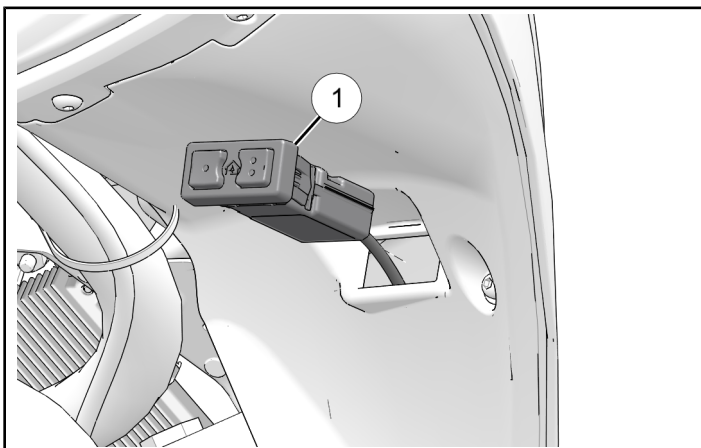
Do not let wire harness branch (B) fall back into hole.



4. Locate harness connection on back of Garage Door Opener (1). Click wire harness branch (B) into module.

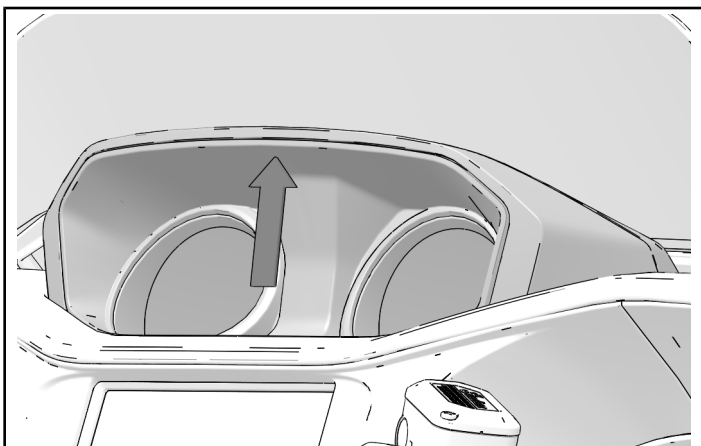


5. Insert Garage Door Opener ① into hole. Apply pressure until module clicks into place.

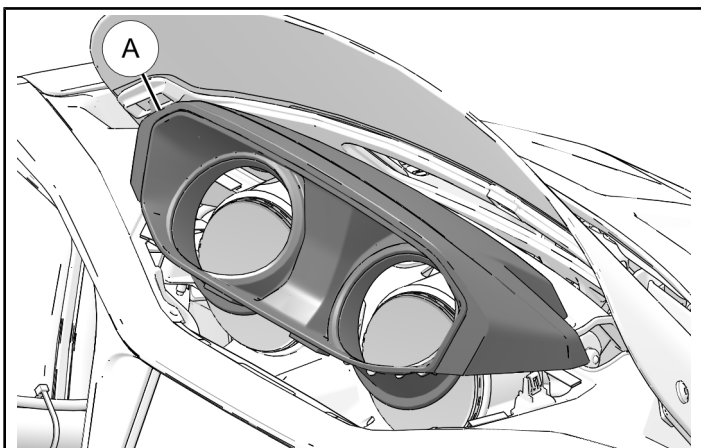


CHASSIS MOUNTED FAIRING BIKES

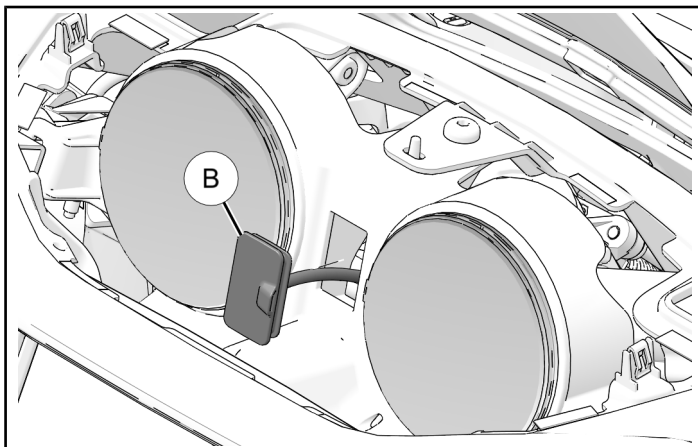
1. Apply force to gauge hood ① on underside of top lip as shown.



2. Apply force until gauge hood ① pops off dash support. Remove gauge hood.



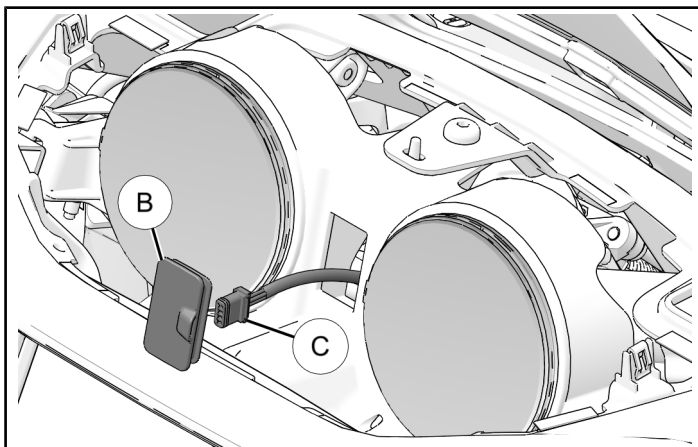
3. Remove center grommet ② from dash support.



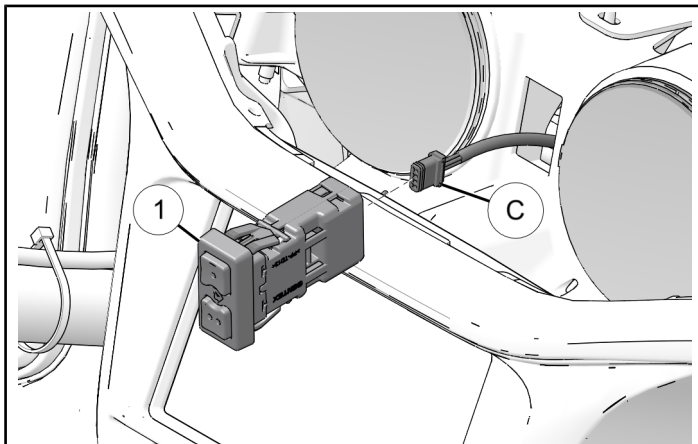
4. Grasp both grommet ② and wire harness branch ③. Disconnect grommet from harness. Discard grommet.

NOTE

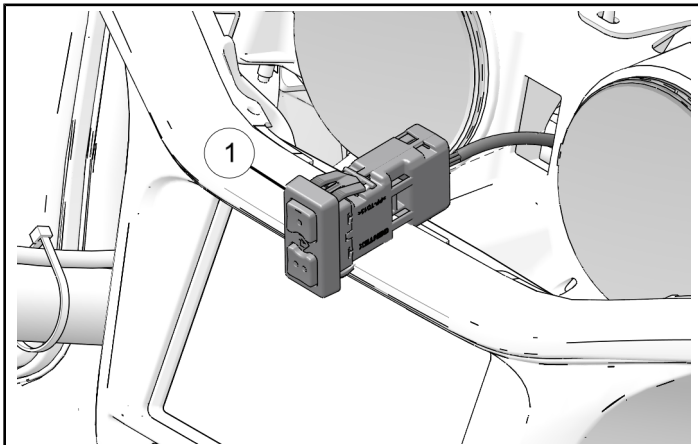
Do not let wire harness branch ③ fall back into hole.



5. Locate harness connection on back of Garage Door Opener ①. Click wire harness branch ③ into module.



6. Insert Garage Door Opener ① into hole. Apply pressure until module clicks into place.



PROGRAMMING 2-BUTTON HOMELINK

⚠ WARNING

Garage door openers, gates, and other devices may operate during programming. Ensure people and objects are clear of garage door or other devices to prevent injury or damage to property.

NOTE

It is recommended that a new battery be placed in the garage door remote for more accurate programming.

NOTE

Garage door openers manufactured after 1995 may be equipped with rolling code protection. In this case, a stepladder or other sturdy, safe device may be required to reach "Learn" or "Smart" button on garage door motor.

NOTE

Please note that instructions below apply to majority of HomeLink use cases. However, there are applications or compatible systems that require different instructions.

PROGRAMMING A BRAND NEW HOMELINK

1. Position garage door remote 1-3 inches away from HomeLink buttons, keeping indicator light in view.

2. Simultaneously press and hold both desired HomeLink button and garage door remote button. DO NOT release until HomeLink indicator light flashes slowly and then changes to solid or rapidly flashing.

NOTE

Some gate operators and garage door openers may require you to use "cycling" procedure noted in "Programming an entry gate" section.

3. Press and hold programmed HomeLink button and observe indicator light.
 - a. If indicator light is solid/continuous, programming is complete and your device should activate when button is pressed and released.
 - b. If indicator light blinks rapidly, proceed with following programming instructions for a rolling code device.

TIP

A second person may make the following steps quicker and easier.

Rolling Code

4. At garage door opener in garage, locate "learn" or "smart" button. Reference garage door opener's manual for location.
5. Press and release "learn" or "smart" button (name and color of button may vary by manufacturer).

NOTE

Once button is pressed, there are typically about 30 seconds in which to initiate next step.

6. Return to vehicle and press and release programmed HomeLink button. Repeat rolling code procedure up to 3 times to complete training process. HomeLink should now activate your rolling code equipped device.
7. To program additional HomeLink buttons, repeat this process.
8. Once programmed, both HomeLink and/or original garage door remote may be used to activate device.

PROGRAMMING AN ENTRY GATE (FOR U.S.A. OWNERS)/PROGRAMMING A DEVICE IN CANADIAN MARKET

1. Position garage door remote 1-3 inches away from HomeLink buttons, keeping indicator light in view.

2. Hold HomeLink button continuously, while simultaneously pressing and releasing garage door remote button at 2 second intervals. DO NOT release HomeLink button until indicator light flashes slowly and then changes to solid or rapidly flashing.
3. Press and hold programmed HomeLink button and observe indicator light.
 - a. If indicator light is solid/continuous, programming is complete and your device should activate when HomeLink button is pressed and released.
 - b. If indicator light blinks rapidly, proceed with following programming instructions for a rolling code device.

TIP

A second person may make following steps quicker and easier.

Rolling Code

4. At garage door opener/gate, locate “learn” or “smart” button. Reference the garage door opener/gate’s manual for location.
5. Press and release “learn” or “smart” button (name and color of button may vary by manufacturer).

NOTE

Once button is pressed, there are typically about 30 seconds in which to initiate next step.

6. Return to vehicle and press and release programmed HomeLink button. Repeat “press/release” sequence up to 3 times to complete training process. HomeLink should now activate your rolling code equipped device.
7. To program additional HomeLink buttons, repeat this process.
8. Once programmed, both HomeLink and/or original garage door remote may be used to activate device.

REPROGRAMMING A SINGLE HOMELINK BUTTON

When following procedure is performed, buttons which already have devices registered to them can be overwritten:

1. Press and hold desired HomeLink button.

2. After about 20 seconds, HomeLink indicator will start slowly flashing. While continuing to hold button, position garage door remote 1-3 inches away from HomeLink buttons, press and hold garage door remote until indicator light changes to solid or rapid flashing.

NOTE

Some gate operators and garage door openers may require you to use “cycling” procedure noted in “Programming an entry gate” section.

3. Press and hold programmed HomeLink button and observe indicator light.
 - a. If indicator light is solid/continuous, programming is complete and your device should activate when HomeLink button is pressed and released.
 - b. If indicator light blinks rapidly, proceed with instructions listed in “Rolling Code” section.
4. If you do not program a new device to button, it will revert to previously held programming.

ERASING YOUR HOMELINK MEMORY (BOTH BUTTONS)

1. Press and hold both buttons for 10 seconds until HomeLink indicator light changes from solid to flashing indicator.
2. If you sell your vehicle, be sure to erase HomeLink memory.

SOMMER ROLLING CODE PROGRAMMING STEPS

NOTE

If you are training two devices, and only one is a Sommer, you will need to train Sommer unit first, and then follow “Reprogramming a single HomeLink button” instructions for your second device.

TIP

A second person may make following steps quicker and easier.

1. Press and hold both HomeLink buttons for 20 seconds, until LED turns off. HomeLink is now ready to be programmed to Sommer rolling code garage door opener.
2. At garage door opener in garage, locate “learn” or “smart” button. Reference garage door opener’s manual for location.

3. Press and release “learn” or “smart” button (name and color of button may vary by model).

NOTE

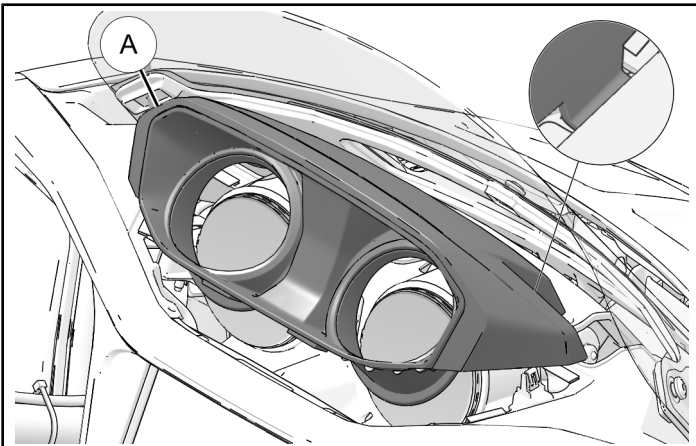
Once button is pressed, you have 10 seconds in which to initiate next step.

4. Return to vehicle and press and release programmed HomeLink button. Repeat “press/release” sequence up to 3 times to complete training process. HomeLink should now activate your Sommer rolling code equipped device.

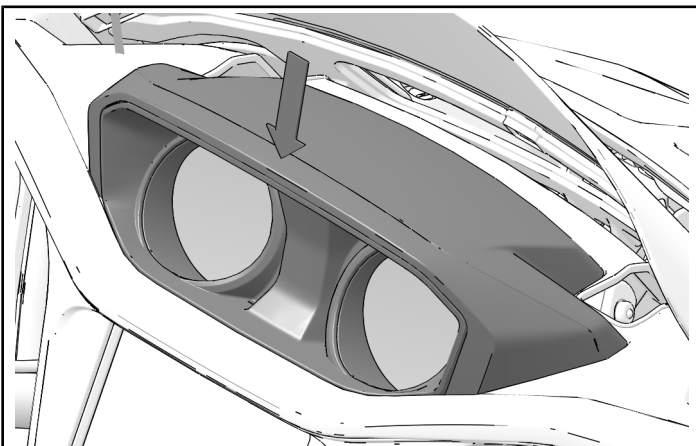
VEHICLE REASSEMBLY

CHASSIS MOUNTED FAIRING REASSEMBLY

1. Orient gauge hood (A) for reinstallation and make sure to insert tabs on back of hood as shown.



2. Apply pressure to top of gauge hood until hood snaps into place.



ADDING HOMELINK WIDGET

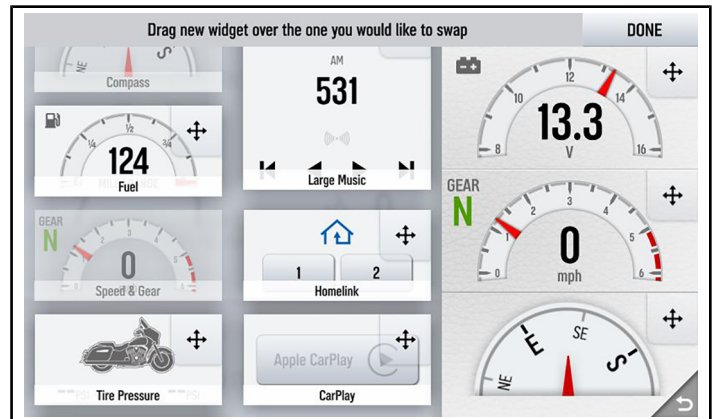
NOTE

HomeLink widget **CANNOT** be used to program doors.

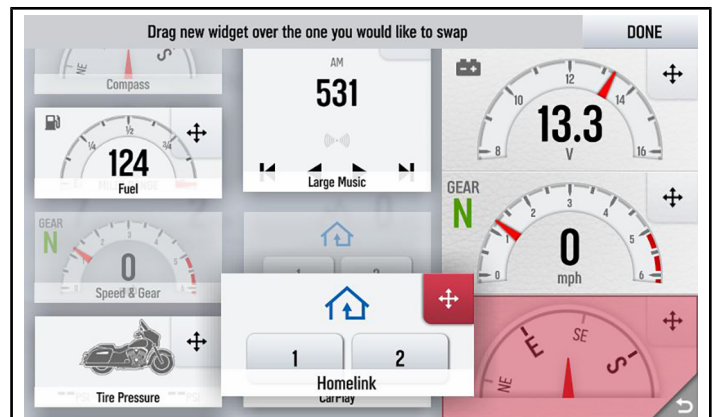
1. Once HomeLink device has been programmed, navigate to rider screen that you would like to add HomeLink Widget to on Ride Command display.



2. Tap settings button on lower right corner of screen.



3. Locate HomeLink button on left side of screen and drag it over to preferred location on right side of screen.



4. Tap **DONE** in upper right corner of screen or back arrow in lower right corner to get back to rider screens.

5. HomeLink widget is now available for use on rider screen for doors you have pre-programmed.



FEEDBACK FORM

A feedback form has been created for the installer to provide any comments, questions or concerns about the installation instructions. The form is viewable on mobile devices by scanning the QR code or by clicking [HERE](#) if viewing on a PC.

