

GENUINE LEATHER SADDLEBAGS KIT



P/N 2884005-XX

APPLICATION

Verify accessory fitment at www.indianmotorcycle.com.

IMPORTANT

The Indian Motorcycle® *Genuine Leather Saddlebags Kit* is not compatible with *Quick Release Accessory Mounting Kits* P/N 2879740 or 2014-2018 Chief® Vintage stock mounting spools.

BEFORE YOU BEGIN

Read these instructions and check to be sure all parts and tools are accounted for. Please retain these installation instructions for future reference and parts ordering information.

REQUIRED SOLD SEPARATELY

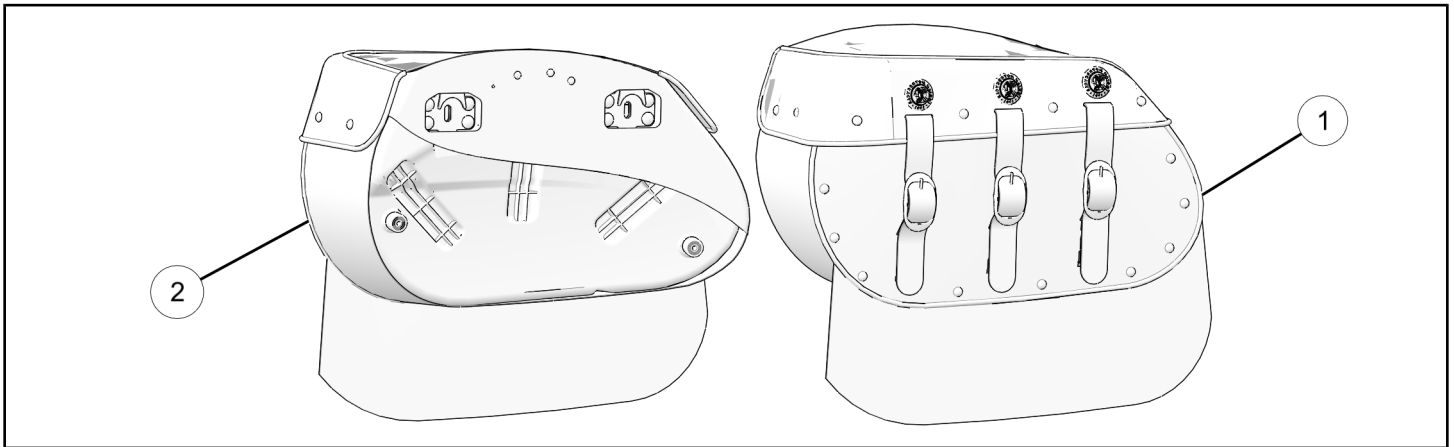
The Indian Genuine Leather Saddlebags Kit contains parts for installation of the Indian Genuine Leather Saddlebags Kit only. For complete installation, one of the following additional kits are also required (sold separately):

NOTE

XXX = Indian Motorcycle® color code (For example: 266 = Black)

		All Model Years				2019+		
		Chief®	Chief® Classic	Chief® Dark Horse®	Chief® Vintage	Springfield®	Chieftain®	Roadmaster®
Required For Quick Release	Quick Release Kit P/N 2884045	x	x	x		x	x	x
	Strut Covers Hardware: P/N 5139598-XXX, P/N 5139599-XXX 4 x P/N 7517272	x	x	x				
Required for Fixed Mounting	Strut Cover & Spool Kit P/N 2883998-XXX	x	x	x	x			
	Leather Saddlebag Mounting Hardware 4 x P/N 7521006 4 x P/N 5416820					x	x	x

KIT CONTENTS



NOTE

XX = Indian Motorcycle® color code (For example: 266 = Black)

REF	QTY	PART DESCRIPTION	P/N AVAILABLE SEPARATELY
1	1	Assembly–Saddlebags, Soft, LH	1022536-XX
2	1	Assembly–Saddlebags, Soft, RH	1022537-XX
3	4	Film–Protection, Rear Fender (not shown)	5814001
	1	Instructions	9929299

TOOLS REQUIRED

- Safety Glasses
- Socket Set, Metric
- Socket Set, Hex Bit, Metric
- Torque Wrench

CONSUMABLES REQUIRED

- Cleaning Solution (99% water + 1% mild dishwashing detergent)
- Cloth, Non-Abrasive (Cheesecloth or equivalent)

IMPORTANT

Your Indian Genuine Leather Saddlebags Kit is exclusively designed for your vehicle. Please read the installation instructions thoroughly before beginning. Installation is easier if the vehicle is clean and free of debris. For your safety, and to ensure a satisfactory installation, perform all installation steps correctly in the sequence shown.

INSTALLATION INSTRUCTIONS

VEHICLE PREPARATION

GENERAL

1. Remove keyless fob from proximity of vehicle.

2. Ensure motorcycle is parked on a flat surface, kickstand is fully extended, and vehicle is stable prior to installation.

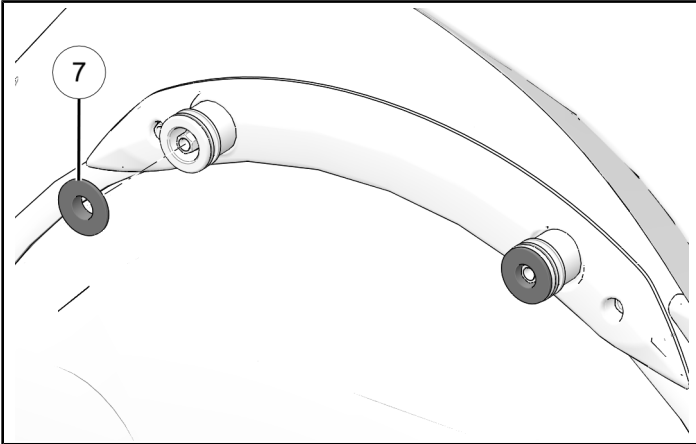
ACCESSORY INSTALLATION

MODELS WITH PRIOR INSTALLATION OF STRUT COVER & SPOOL KIT P/N 2883998-XXX

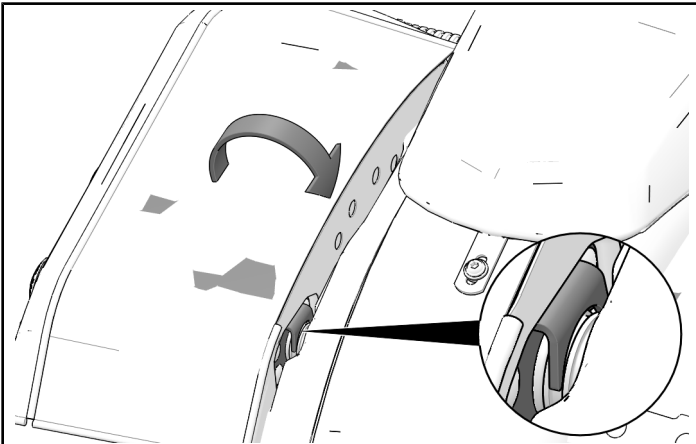
NOTE

This section refers to *Kit Contents* section of *Strut Cover & Spool Kit P/N 2883998-XXX* installation instructions.

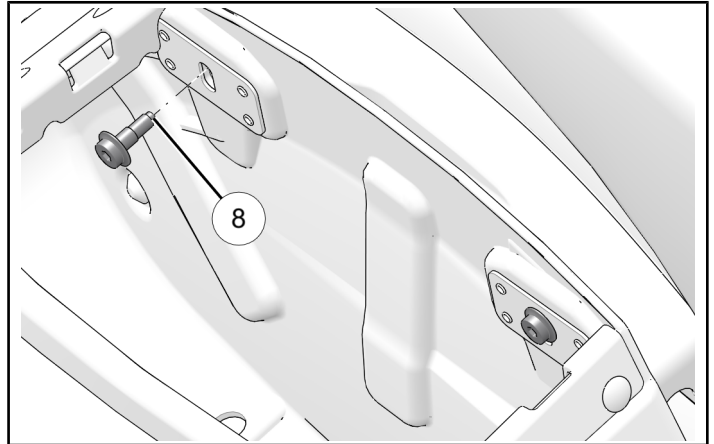
1. Ensure *Strut Cover & Spool Kit P/N 2883998-XXX* is installed as per instructions.
2. Place rubber bushings ⑦ into two installed spools, as shown.



3. Ensure saddlebag mounts hook onto ridge of spools.



4. Open saddlebag and insert two screws ⑧ through saddlebag and into spools. Hand-tighten two screws ⑧, to install saddlebag, before torquing to specification.



5. Proceed to *Wear-Resistant Decal Installation* section, if desired, before continuing with this section.
6. Torque two saddlebag mounting screws ⑧ to specification.

TORQUE

Two screws ⑧: 18 ft. lbs. (24 Nm)

7. Repeat this section for opposite saddlebag.

MODELS WITH PRIOR INSTALLATION OF SADDLEBAG QUICK RELEASE KIT P/N 2884045

1. *Saddlebag Quick Release Kit P/N 2884045* installation requires simultaneous installation of saddlebags. Refer to *Saddlebag Quick Release Kit P/N 2884045* instructions for saddlebag installation procedures.
2. After installation, proceed to *Wear-Resistant Decal Installation* section, if desired.

WEAR-RESISTANT DECAL INSTALLATION

1. Ensure fender is cleaned of dirt, dust, and debris. Dry fender before decal installation with lint-free cloth.
2. With saddlebags installed, note location where saddlebag bumpers contact fender.
3. Loosen saddlebag fasteners to allow enough room for decal ② application.
4. Apply decal ② at each point of bumper contact.
5. Reinstall saddlebags as per instructions above.

FEEDBACK FORM

A feedback form has been created for the installer to provide any comments, questions or concerns about the installation instructions. The form is viewable on mobile devices by scanning the QR code or by clicking [HERE](#) if viewing on a PC.

FEEDBACK FORM

