

# SOLO RACK KIT



P/N 2884672-XXX

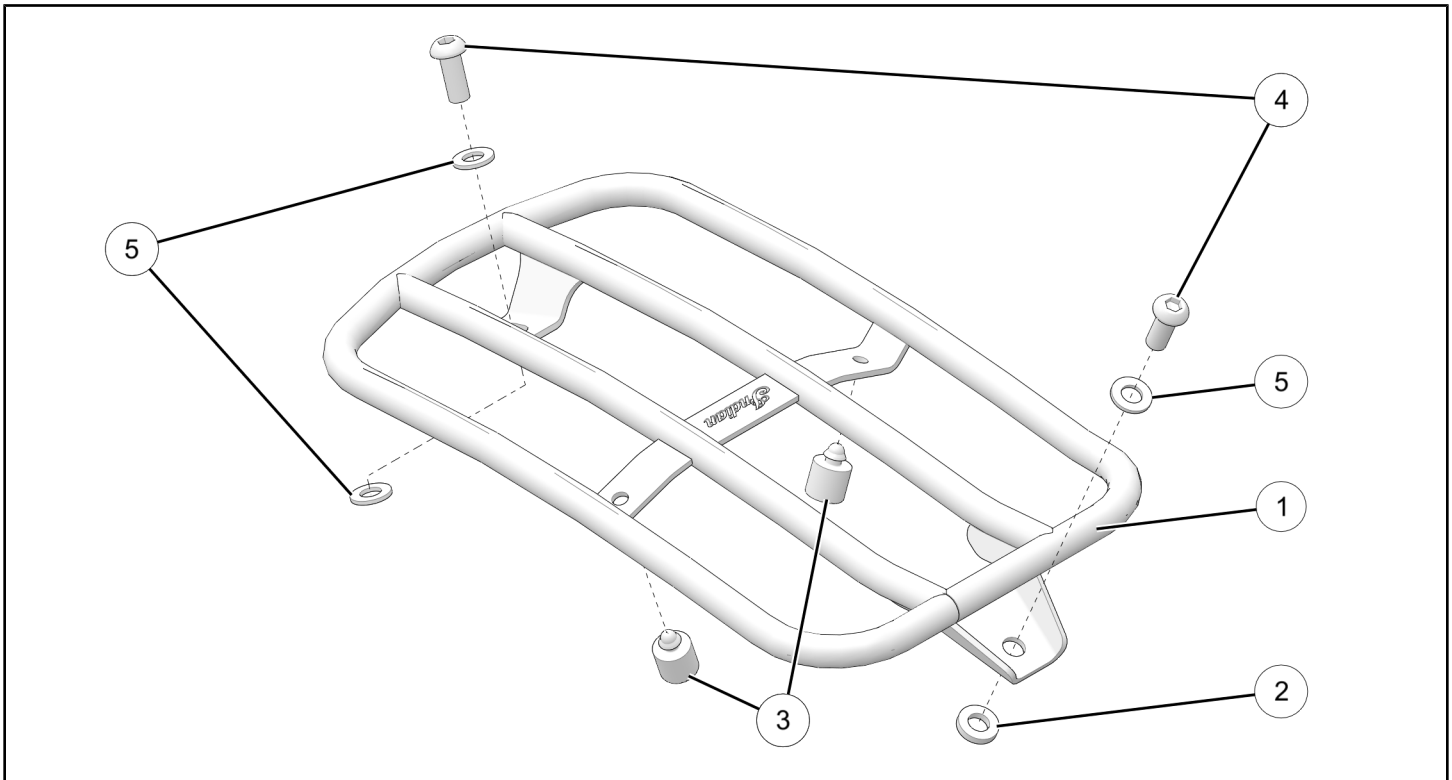
## BEFORE YOU BEGIN

Read these instructions and check to be sure all parts and tools are accounted for. Please retain these installation instructions for future reference and parts ordering information.

## APPLICATION

Verify accessory fitment at [www.indianmotorcycle.com](http://www.indianmotorcycle.com).

## KIT CONTENTS



### NOTICE

XXX = Indian Motorcycle® color code (For example: 266 = Black)

REF	QTY	PART DESCRIPTION	P/N AVAILABLE SEPARATELY
1	1	Rack, Solo	N/A
2	1	Bushing-Rack, Solo	5143502
3	2	Rubber Bumper	5417511
4	2	Screw, Hex Button Head, M8 x 1.25 x 20 mm	7527832
5	3	Washer, 8.4 x 16 x 1.6 mm	7556254

## TOOLS REQUIRED

- Safety Glasses
- Socket Set, Hex Bit, Metric
- Torque Wrench

## IMPORTANT

Your Indian Motorcycle® Solo Rack Kit is exclusively designed for your vehicle. Please read the installation instructions thoroughly before beginning. Installation is easier if the vehicle is clean and free of debris. For your safety, and to ensure a satisfactory installation, perform all installation steps correctly in the sequence shown.

## INSTALLATION INSTRUCTIONS

### VEHICLE PREPARATION

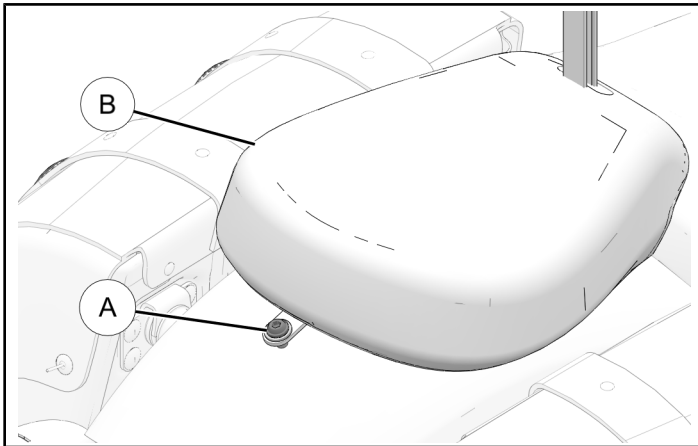
#### GENERAL

1. Park motorcycle on a flat surface, fully extend kickstand, and make sure vehicle is stable.
2. Turn key or ignition switch to OFF position and remove key. If equipped with keyless fob, remove fob from proximity of vehicle.

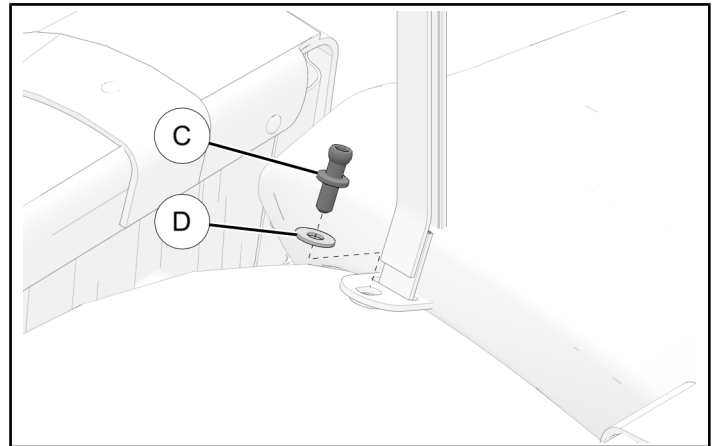
#### SEAT PREPARATION

##### PASSENGER SEAT REMOVAL (IF APPLICABLE)

1. Loosen the rear passenger seat screw (A) until it is free from the fender and remove the passenger seat by lifting up on the front edge of the seat to disengage the grommet from the seat stud. (B).

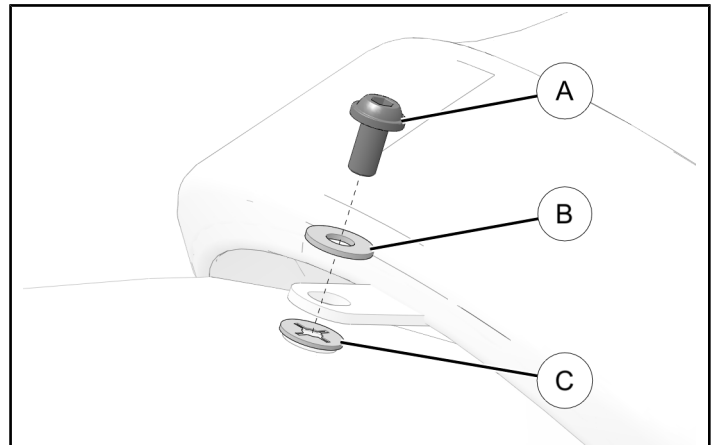


2. Remove seat stud (C) and washer (D). Leave the seat in place.

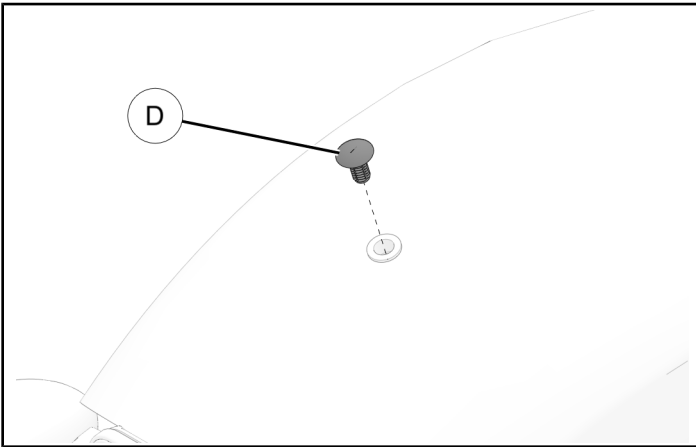


##### DRIVER SEAT ONLY PREPARATION

1. Remove and discard seat screw (A), washer (B), and plastic washer (C). Leave the seat in place.



- If applicable, remove the plastic dart clip ① from the rear fender.



## ACCESSORY INSTALLATION

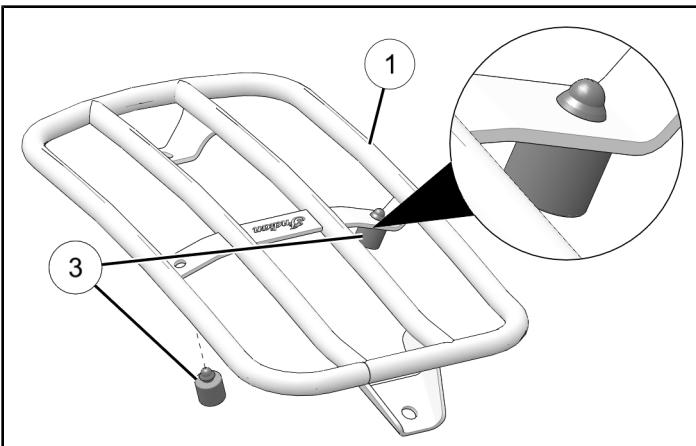
### ⚠ WARNING

Maximum load weight = **10 lb (4.5 kg)**  
 Do not exceed recommended weight capacity.  
 Uneven load distribution can cause loss of control  
 resulting in serious injury or death.

- Install the rubber bumpers ③ into the rack ①.

### NOTICE

Use soapy water to aid in installation.



## RACK INSTALL FOR ALL SEATS EXCEPT 1920 SOLO RIDER SADDLE SEAT

### NOTICE

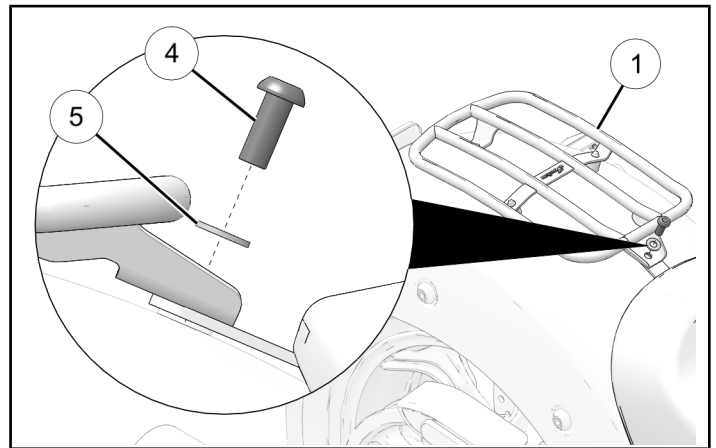
The rack bushing ② is not used in this seat configuration.

- Position rack ① on fender and align mounting holes. Loosely install washer ⑤ and screw ④ in front hole.

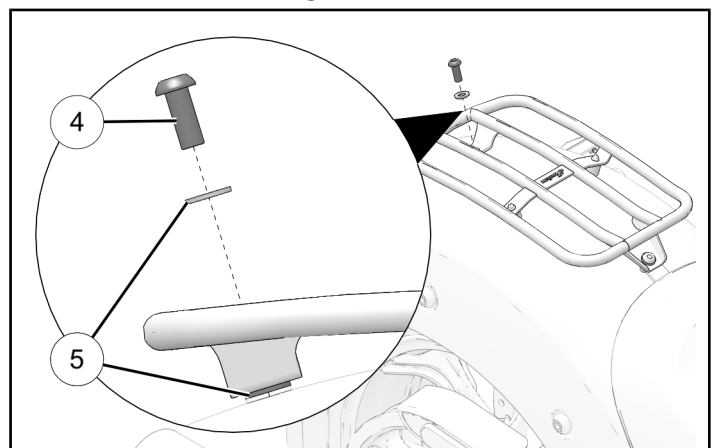
### NOTICE

The stacking order of components from top to bottom should be as follows: screw ④, washer ⑤, solo rack ①, and seat bracket.

Do not torque screw at this time.



- Lift rear of rack slightly and secure one washer ⑤ under rack mount and one washer ⑤ above mount with screw ④.



3. Torque rack mount screws to specification.

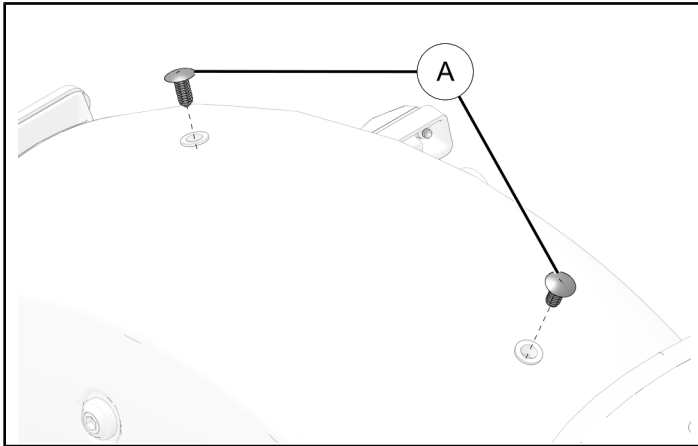
Torque front screw first.

**TORQUE**

Rack Mount Screws ④:  
**13 ft-lbs (18 N·m)**

**RACK INSTALL FOR 1920 SOLO RIDER SADDLE SEAT**

1. If applicable, remove the plastic dart clips ① from the rear fender.

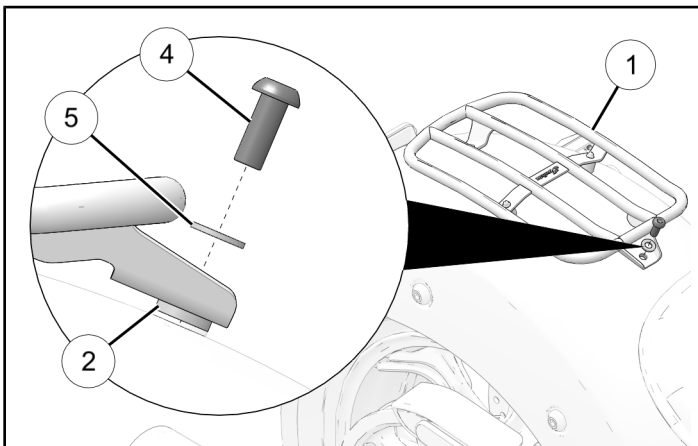


2. Position rack ① on fender and align mounting holes. Install the bushing ② under rack mount and loosely install washer ⑤ and screw ④ in front hole.

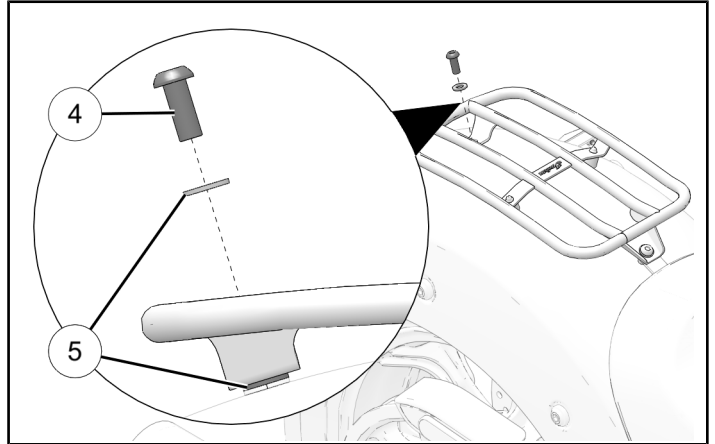
**NOTICE**

The stacking order of components from top to bottom should be as follows: screw ④, washer ⑤, solo rack ①, and bushing ②.

Do not torque screw at this time.



3. Lift rear of rack slightly and secure one washer ⑤ under rack mount and one washer ⑤ above rack mount with screw ④.



4. Torque rack mount screws to specification.

Torque front screw first.

**TORQUE**

Rack Mount Screws ④:  
**13 ft-lbs (18 N·m)**

## INSTRUCTION FEEDBACK FORM

A feedback form has been created for the installer to provide any comments, questions or concerns about the installation instructions. The form is viewable on mobile devices by scanning the QR code or by clicking [HERE](#) if viewing on a PC.

