

SOLO SEAT KIT



P/N MULTIPLE

BEFORE YOU BEGIN

Read these instructions and check to be sure all parts and tools are accounted for. Please retain these installation instructions for future reference and parts ordering information.

APPLICATION

Verify accessory fitment at www.indianmotorcycle.com.

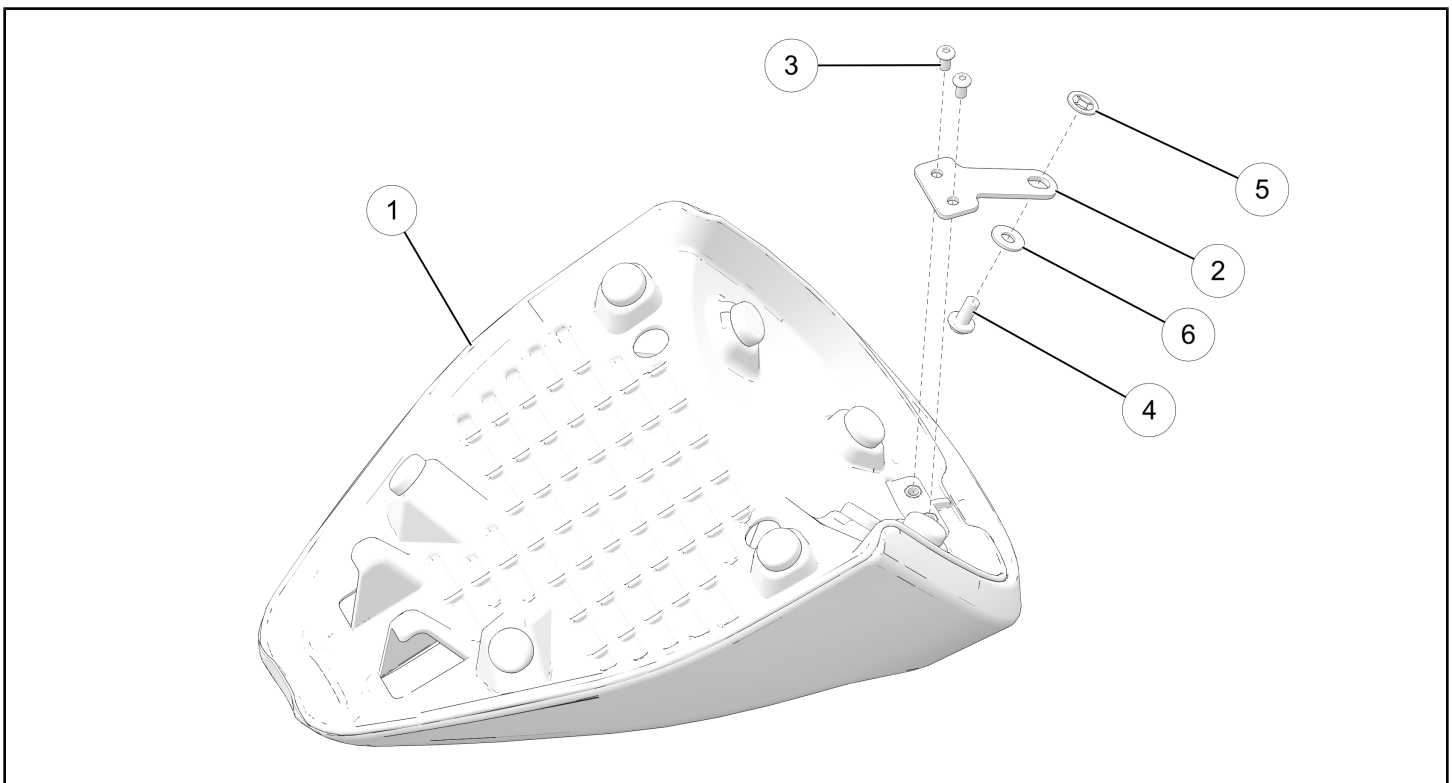
IMPORTANT

This *Solo Seat Kit* cannot be used with *Passenger Seat Kit*, P/N 2884644-XXX.

KIT CONTENTS

NOTICE

Kit P/N 2884641, other kits similar.



NOTICE

XXX = Indian Motorcycles® color code (For example: 266 = Black)

REF	QTY	PART DESCRIPTION	P/N AVAILABLE SEPARATELY
1	1	Seat	N/A
2	1	Seat Bracket	5270398-XXX

REF	QTY	PART DESCRIPTION	P/N AVAILABLE SEPARATELY
3	2	Screw, Hex Button Head M6 x 1.0 x 12 mm	7519000
4	1	Screw, Hex Button Head M8 x 1.25 x 16 mm	7520456
5	1	Washer, Plastic, M8 x 18.6 x 1.3 mm	7556884
6	1	Washer, 8.4 x 20.0 x 1.6 mm	7556969

TOOLS REQUIRED

- Hex Key Set, Metric
- Safety Glasses
- Socket Set, Metric
- Torque Wrench

IMPORTANT

Your Indian Motorcycle® Solo Seat Kit is exclusively designed for your vehicle. Please read the installation instructions thoroughly before beginning. Installation is easier if the vehicle is clean and free of debris. For your safety, and to ensure a satisfactory installation, perform all installation steps correctly in the sequence shown.

INSTALLATION INSTRUCTIONS

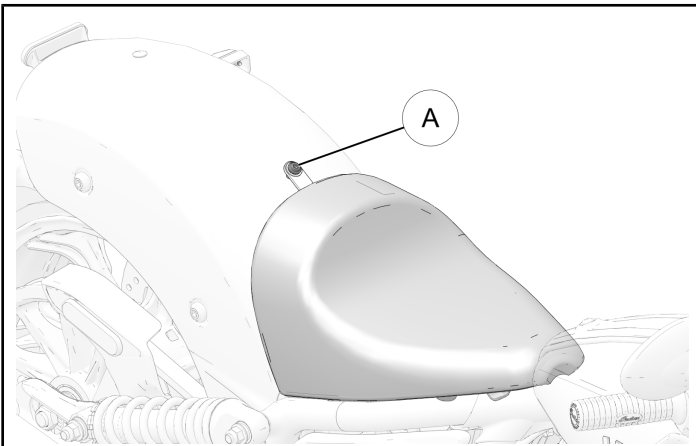
VEHICLE PREPARATION

GENERAL

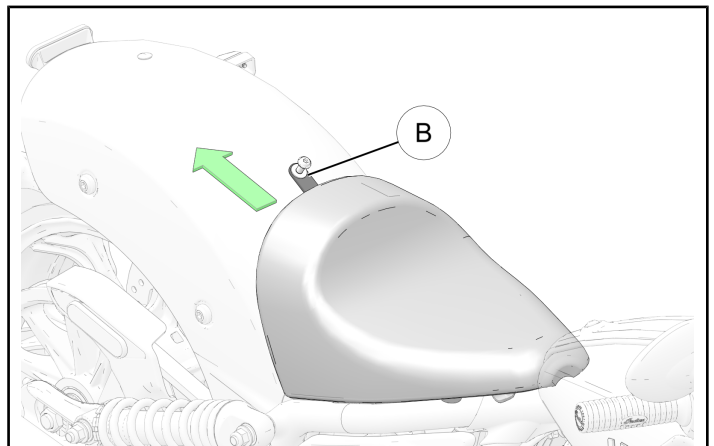
1. Park motorcycle on a flat surface, fully extend kickstand, and make sure vehicle is stable.
2. Turn key or ignition switch to OFF position and remove key. If equipped with keyless fob, remove fob from proximity of vehicle.

DRIVER'S SEAT REMOVAL

1. Loosen the driver's seat screw (A) until it is free from the fender.

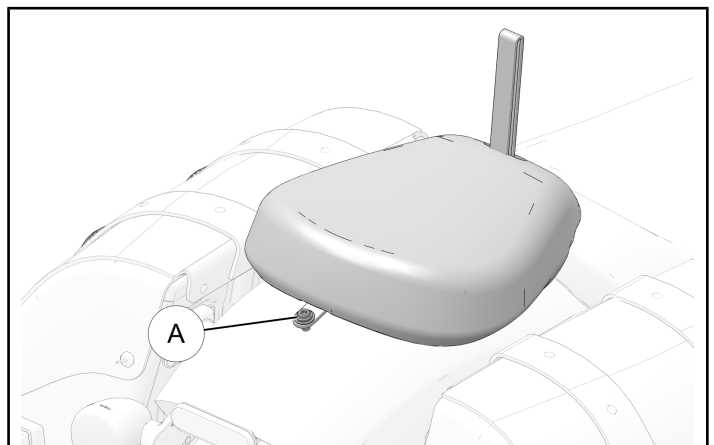


2. Remove the driver's seat by lifting up on the seat bracket (B) and pulling the seat towards the rear of the vehicle.

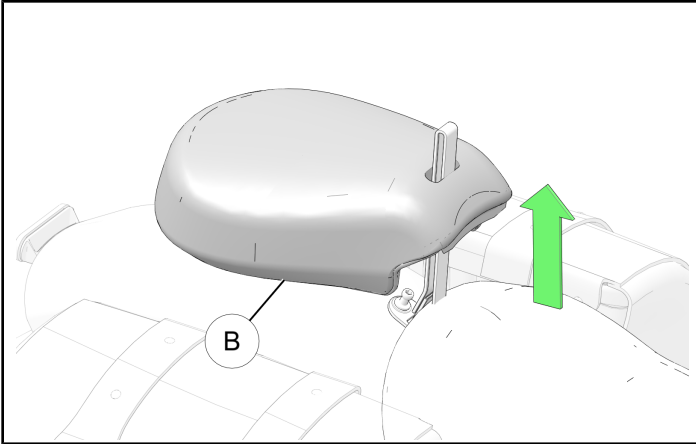


DRIVER / PASSENGER SEAT REMOVAL

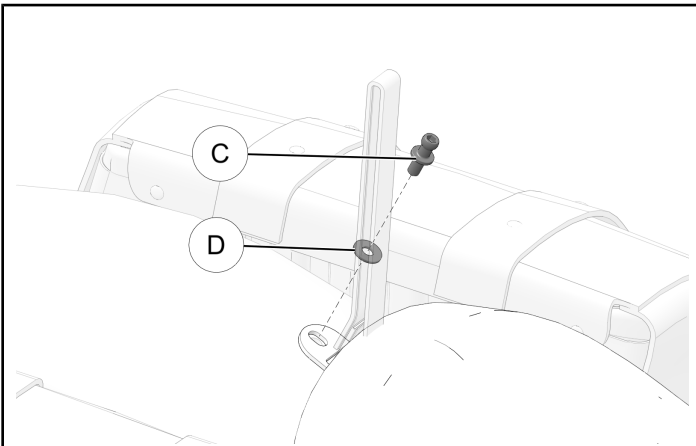
1. Loosen the passenger seat screw (A) until it is free from the fender.



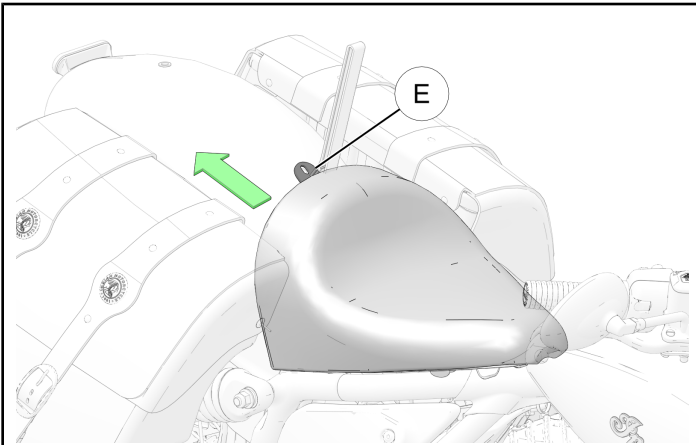
- Remove the passenger seat ② by lifting up on the front edge of the seat to disengage the grommet from the seat stud.



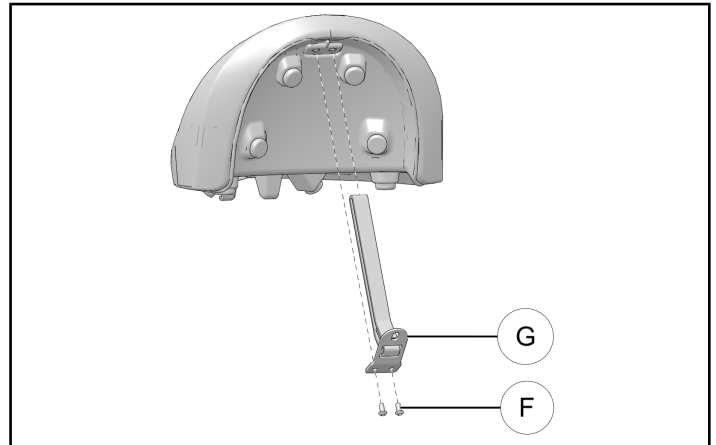
- Remove the seat stud ③ and washer ④ from the strap bracket.



- Remove the driver's seat by lifting up on the strap bracket ⑤ and pulling the seat towards the rear of the vehicle.



- Remove the screws ⑥ and strap bracket ⑦ from the bottom of the driver's seat.



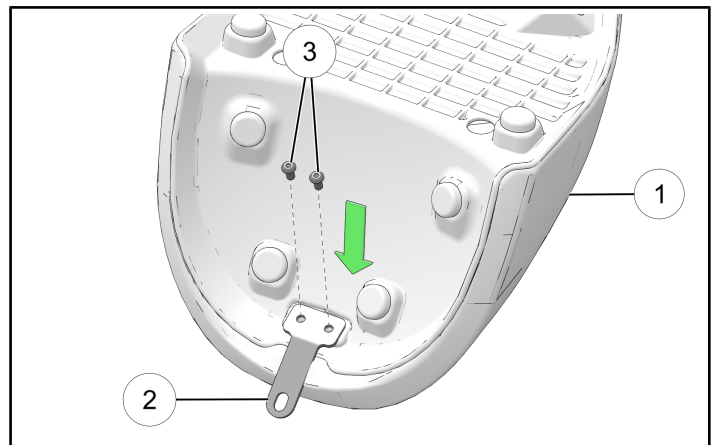
BRACKET ASSEMBLY

MODELS WITHOUT A PASSENGER SEAT

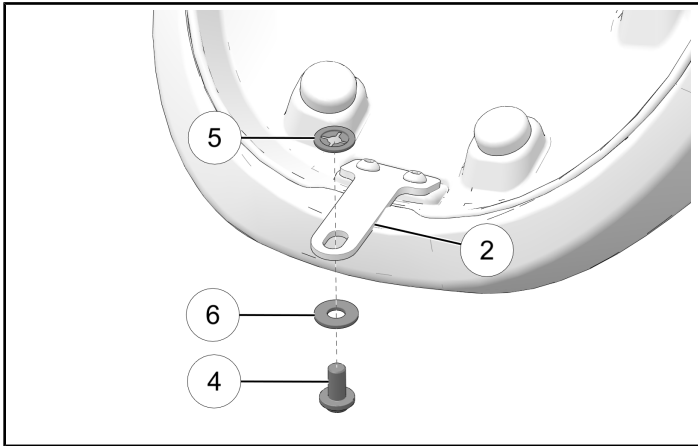
- Install two screws ③ through the seat bracket ② and into the bottom of the seat ①. Torque the screws to specification.

TORQUE

Bracket Screws ③:
53 in-lbs (6 N·m)



2. Install the plastic washer ⑤ onto the seat bracket ②. Then loosely install the washer ⑥ and screw ④ onto the seat bracket ② and through the plastic washer ⑤ as shown.

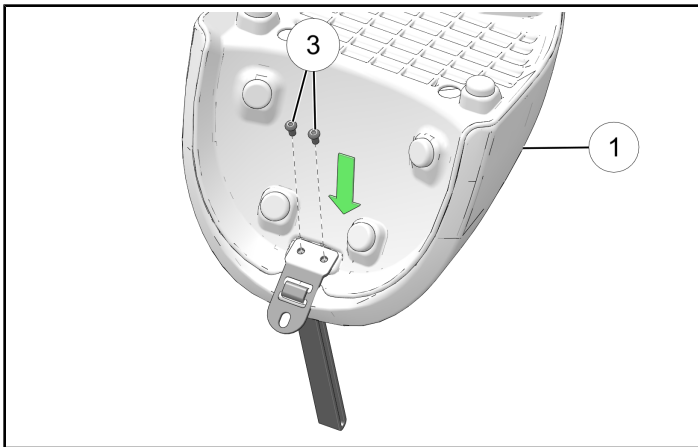


MODELS WITH A PASSENGER SEAT

1. Install two screws ③ through the strap bracket that was previously removed and into the bottom of the seat ①. Torque the screws to specification.

TORQUE

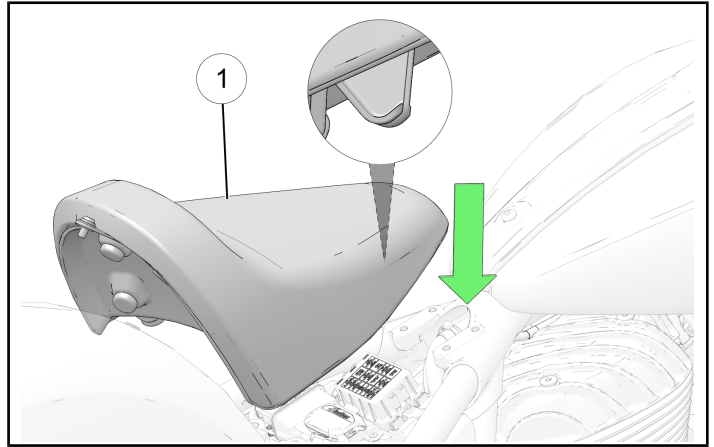
Bracket Screws ③:
53 in-lbs (6 N·m)



ACCESSORY INSTALLATION

MODELS WITHOUT A PASSENGER SEAT

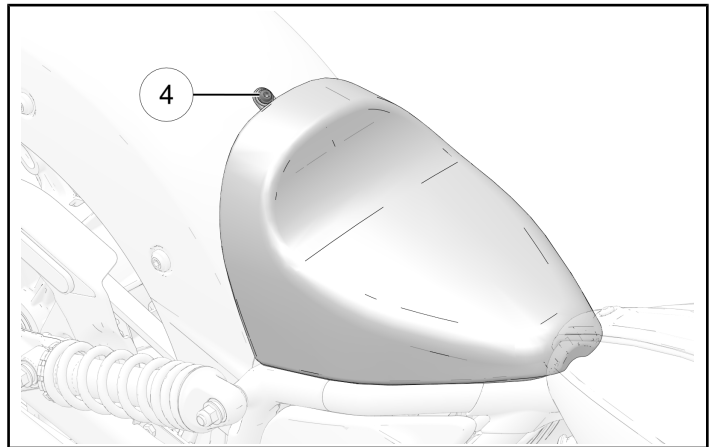
1. Install the seat ① by engaging the two hooks on the front of the seat to the vehicle frame and pushing down and forward.



2. Insert the seat bracket screw ④ into the rear fender. Torque the screw to specification.

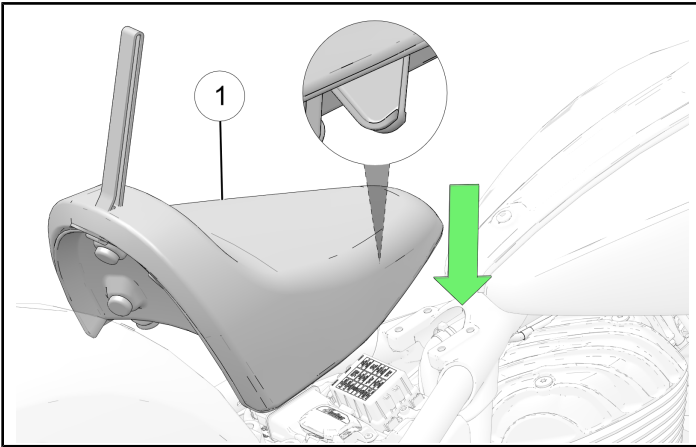
TORQUE

Seat Bracket Screw ④:
13 ft-lbs (18 N·m)



MODELS WITH A PASSENGER SEAT

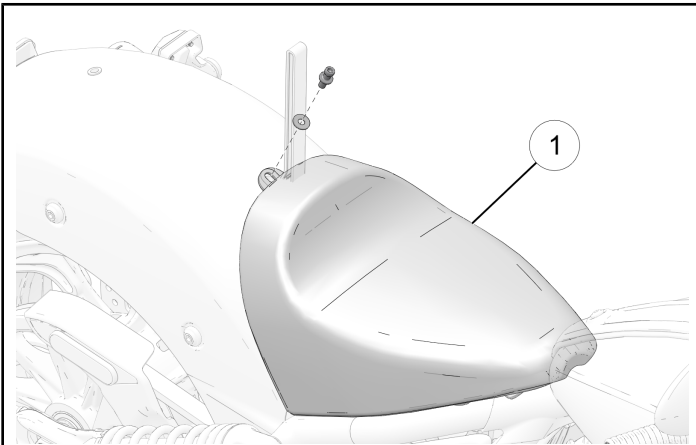
1. Install the seat ① by engaging the two hooks on the front of the seat to the vehicle frame and pushing down and forward.



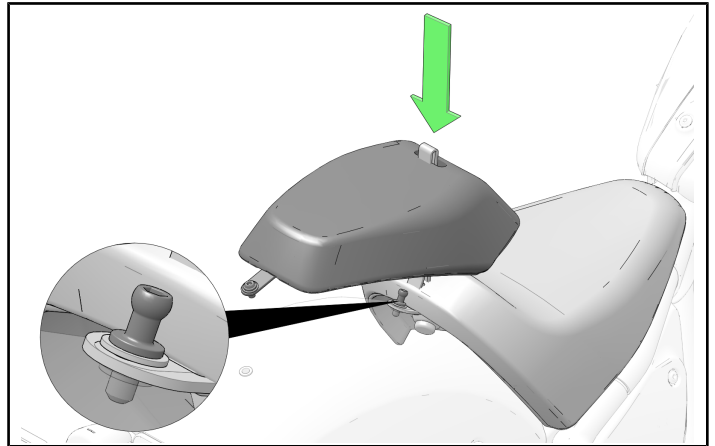
2. Install the washer and seat stud that were previously removed through the strap bracket on the seat ①. Torque the seat stud to specification.

TORQUE

Seat Stud:
13 ft-lbs (18 N·m)



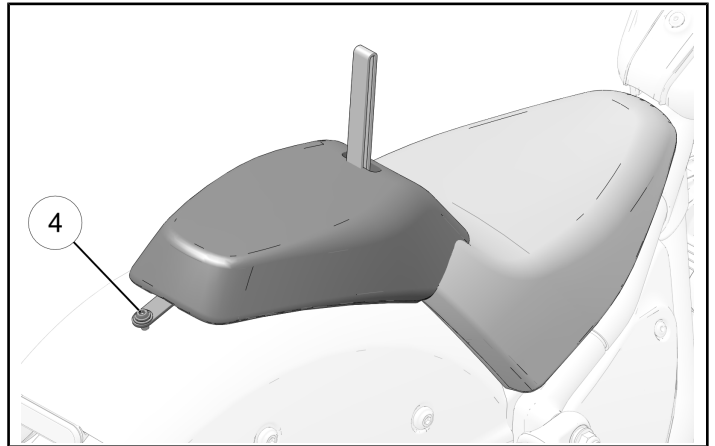
3. Insert the strap through the opening in the passenger seat. Engage the seat grommet to the seat stud by pressing down on the front of the passenger seat.



4. Insert the seat bracket screw ④ into the rear fender. Torque the screw to specification.

TORQUE

Seat Bracket Screw ④:
13 ft-lbs (18 N·m)



INSTRUCTION FEEDBACK FORM

A feedback form has been created for the installer to provide any comments, questions or concerns about the installation instructions. The form is viewable on mobile devices by scanning the QR code or by clicking [HERE](#) if viewing on a PC.

