

WINDSHIELD KIT



P/N 2884693-XXX; 2884940-XXX; 2884941-XXX

BEFORE YOU BEGIN

Read these instructions and check to be sure all parts and tools are accounted for. Please retain these installation instructions for future reference and parts ordering information.

APPLICATION

Verify accessory fitment at www.indianmotorcycle.com.

REQUIRED SOLD SEPARATELY

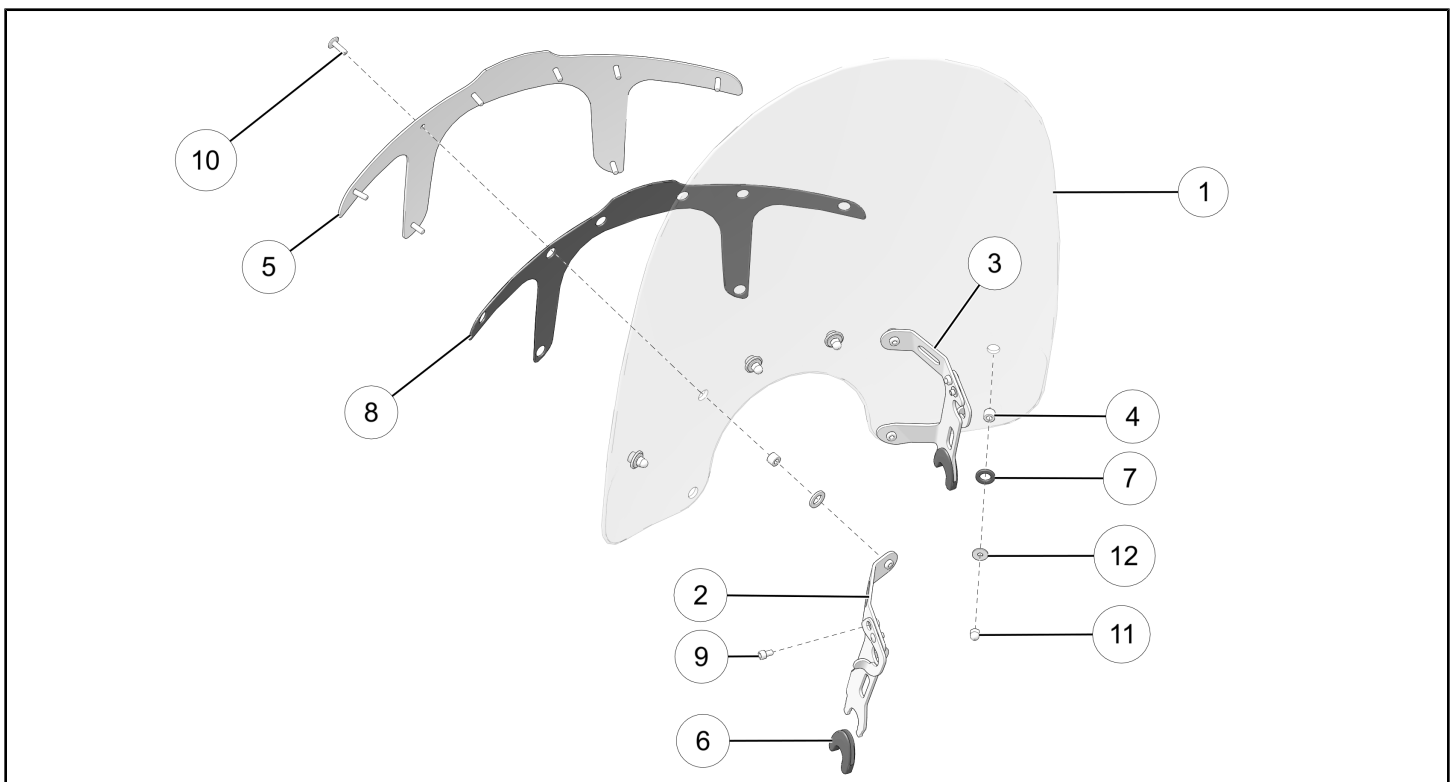
Only parts for installation of the Indian Motorcycle® Windshield Kit are included. Prior installation of the following additional kits are also required if windshield spools are not factory installed (sold separately):

- *Windshield Mount Kit*, P/N 2884864 (Non-nacelle models)
- *Windshield Mount Spool Kit*, P/N 2884902-XXX (Nacelle models only, if not factory installed)

KIT CONTENTS

NOTICE

Kit P/N 2884693-XXX, other kits similar.



NOTICE

XXX = Indian Motorcycles® color code (For example: 266 = Black)

| REF | QTY | PART DESCRIPTION | P/N AVAILABLE SEPARATELY |
|-----|-----|---|-------------------------------|
| 1 | 1 | Windshield, Tall, Clear (Kit P/N 2884693-XXX) Windshield, Low, Tint (Kit P/N 2884940-XXX) Windshield, Mid, Tint (Kit P/N 2884941-XXX) | 5457100 5457102 5457493 |
| 2 | 1 | Bracket Mount, Left-Hand | 1025720-XXX |
| 3 | 1 | Bracket Mount, Right-Hand | 1025721-XXX |
| 4 | 8 | Bushing | 5143493 |
| 5 | 1 | Outer Cross Bracket (Kit P/N 2884693-XXX; 2884941-XXX) Outer Cross Bracket (Kit P/N 2884940-XXX) | 5269456-XXX 5269457-XXX |
| 6 | 2 | Rubber Boot End Cap | 5417359 |
| 7 | 8 | Rubber Washer | 5814987 |
| 8 | 1 | Rubber Windshield Pad (Kit P/N 2884693-XXX; 2884941-XXX) Rubber Windshield Pad, Low (Kit P/N 2884940-XXX) | 5815001 5815024 |
| 9 | 2 | Screw, Socket Head M6 x 1.0 x 10 mm | 7517337 |
| 10 | 8 | Screw, Torx® Drive Truss Head M6 x 1.0 x 20 mm | 7519184 |
| 11 | 4 | Nut, Acorn M6 | 7547115 |
| 12 | 4 | Washer, 6.4 x 18.0 x 1.6 mm | 7556064 |

TOOLS REQUIRED

- Safety Glasses
- Socket Set, Metric
- Socket Set, Hex Bit, Metric
- Torque Wrench

IMPORTANT

Your Indian Motorcycle® Windshield Kit is exclusively designed for your vehicle. Please read the installation instructions thoroughly before beginning. Installation is easier if the vehicle is clean and free of debris. For your safety, and to ensure a satisfactory installation, perform all installation steps correctly in the sequence shown.

INSTALLATION INSTRUCTIONS

VEHICLE PREPARATION

GENERAL

1. Park motorcycle on a flat surface, fully extend kickstand, and make sure vehicle is stable.
2. Turn key or ignition switch to OFF position and remove key. If equipped with keyless fob, remove fob from proximity of vehicle.

SPOOL INSTALLATION (NON-NACELLE MODELS ONLY)

NOTICE

The *Windshield Mount Kit*, P/N 2884864 is sold separately. Refer to the instructions in that kit for installation.

SPOOL INSTALLATION (NACELLE MODELS ONLY)

NOTICE

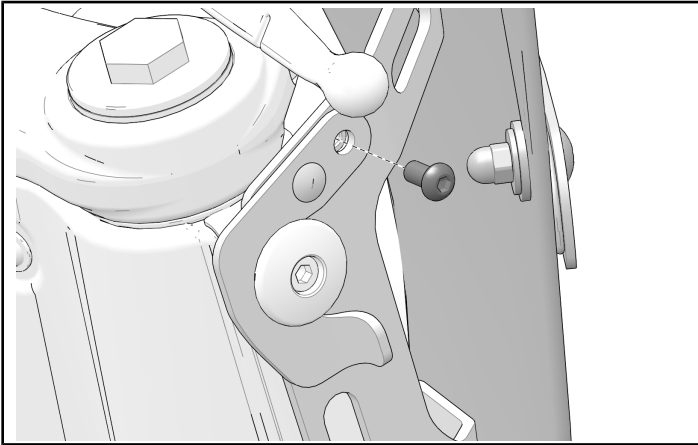
The *Windshield Mount Spool Kit*, P/N 2884902-XXX is sold separately. Refer to the instructions in that kit for installation.

WINDSHIELD REMOVAL (IF APPLICABLE)

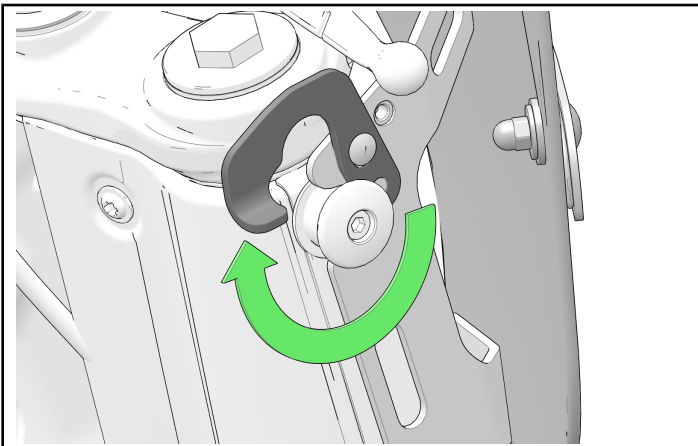
NOTICE

Right-hand side shown.

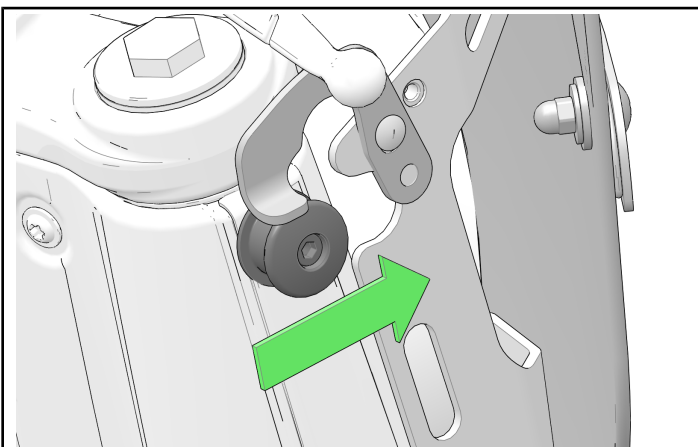
1. Remove the screw from the left-hand and right-hand bracket mount on each side of the vehicle.



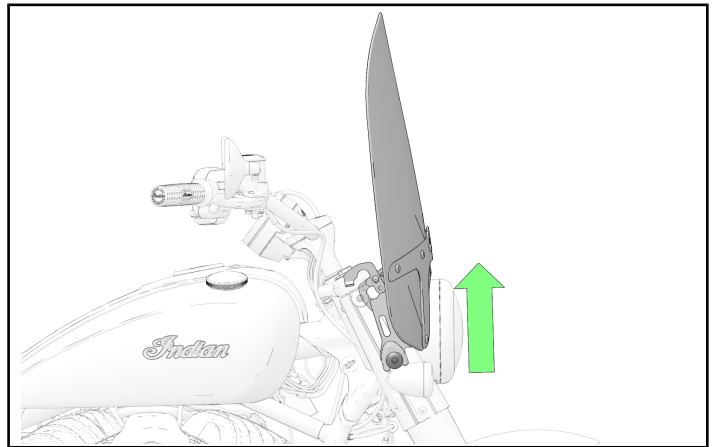
2. Locate and open the bracket mount latch on each side of the vehicle.



3. Standing in front of the vehicle, hold each side of the windshield and pull the windshield towards you to disengage the bracket mounts from the upper spools.



4. Lift the windshield straight up off the lower spools and off the vehicle.

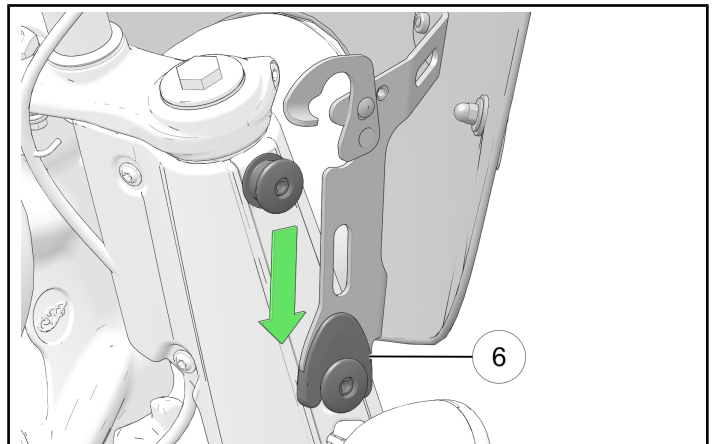


ACCESSORY INSTALLATION

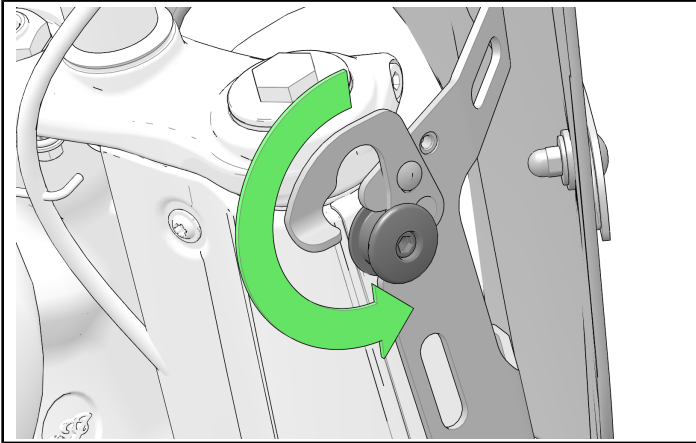
NOTICE

Right-hand side shown.

1. Position the windshield onto the front of the vehicle and seat the rubber boot end cap ⑥ onto the lower spool on each side of the vehicle.



2. With the bracket mount latch open, push the windshield towards the rear of the vehicle to install into the upper spools. Rotate the latch around the upper spool on each side of the vehicle and close each latch.



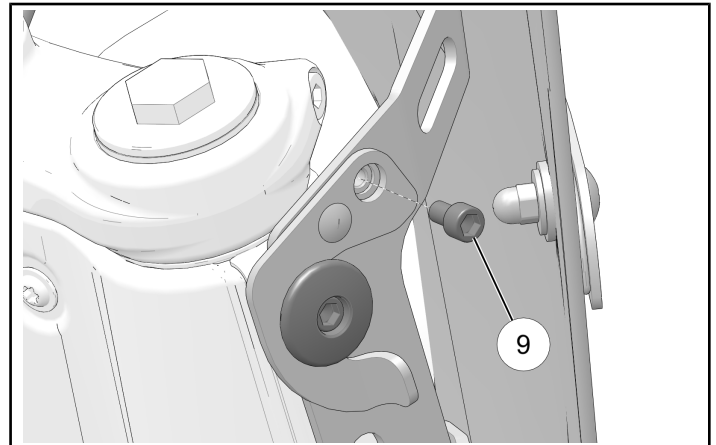
3. (Optional) Install one screw ⑨ through each latch and into the left-hand and right-hand bracket mount on each side of the vehicle. Torque the screws to specification.

NOTICE

The screw should pass through the latch and seat against the bracket mount. Make sure the latch is not compressed when you torque the screw against the bracket.

TORQUE

Bracket Mount Screw ⑨:
89 in-lbs (10 N·m)



INSTRUCTION FEEDBACK FORM

A feedback form has been created for the installer to provide any comments, questions or concerns about the installation instructions. The form is viewable on mobile devices by scanning the QR code or by clicking [HERE](#) if viewing on a PC.

