

Polaris RZR 200 EFI Windshield & Roof Kit

Product Instructions | Part No: 2110



Application: Verify accessory fitment at Kolpin.com.

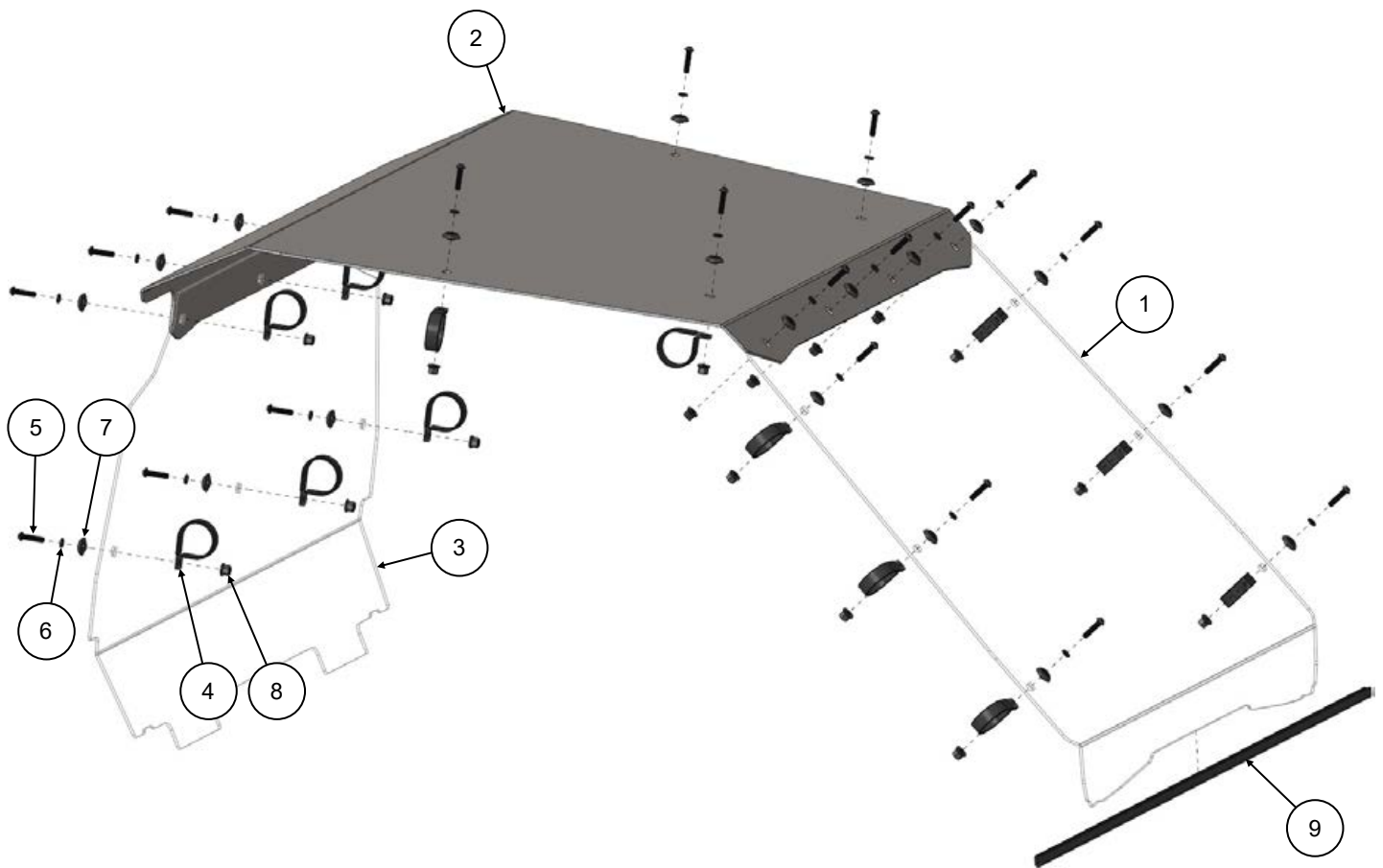
Before You Begin: Read these instructions and check to be sure all parts are accounted for. If any items are missing, do not return to the store. Call us at 1-877-956-5746 for assistance. Please retain these instructions for future reference and parts ordering information.

Dealers: Provide Instruction Manual to customer at time of purchase.

Tools Required: 4mm Hex Wrench or Driver and Side Cutters or Scissors

Product Contents:

Item	Description	Qty	Part Number
1	Front Windshield	1	
2	Roof	1	
3	Rear Windshield	1	
4	P-Clamp	16	K100378
5	Button Head Screw - M6 x 26mm	20	K100381 (Qty 4)
6	Lock Washer - M6	20	
7	Domed Shoulder Washer - M6	20	
8	Locknut - M6	20	
9	Edge Seal - 48" Length	1	PUR3371
10	Adhesive Backed Foam - 60" Length (Not Shown)	1	PUR3357



Kolpin Outdoors, Inc. | 9955 59th Ave N | Plymouth, MN 55442

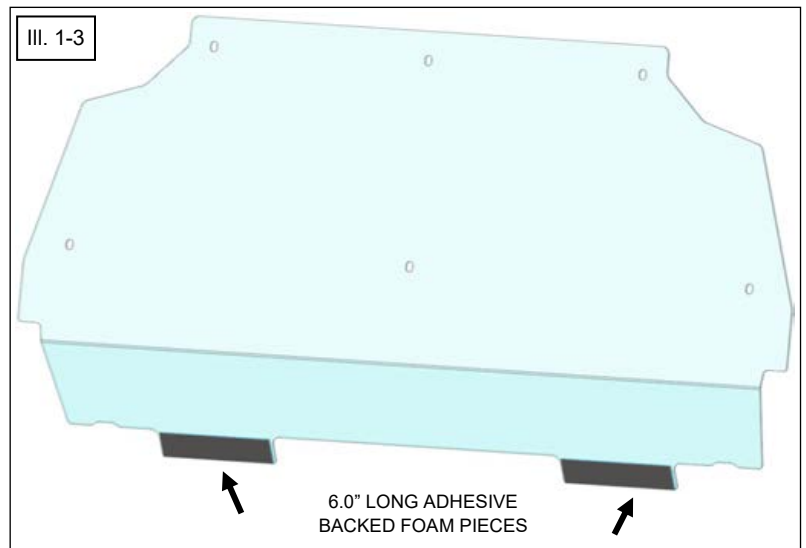
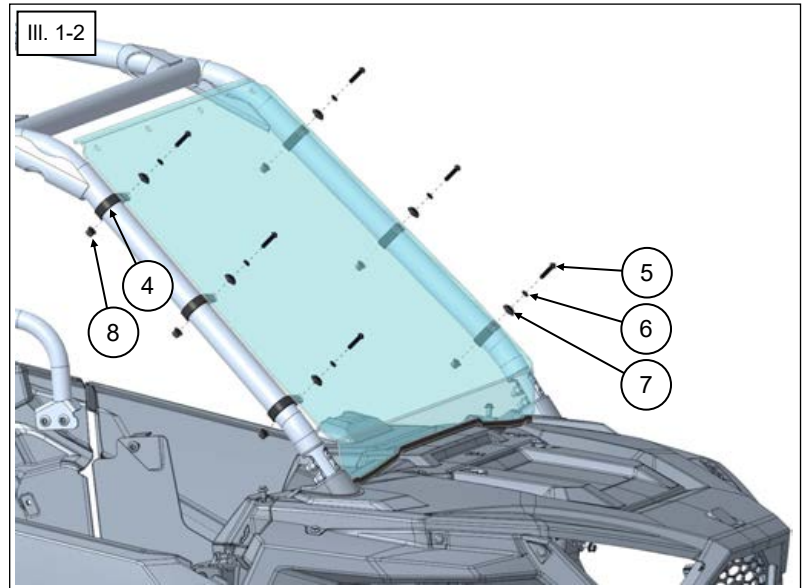
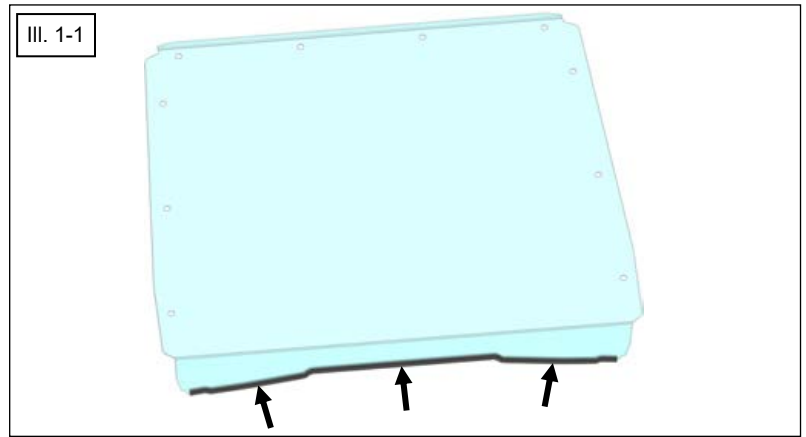
(877) 956-5746 or (763) 478-5800 | www.kolpin.com | customerservice@kolpin.com

Assembly Time: Approximately 25 minutes

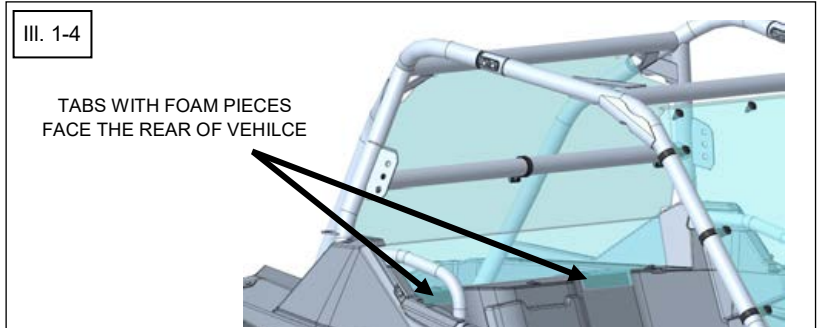
Important: This product is exclusively designed for your vehicle. Please read the installation instructions thoroughly before beginning. Installation is easier if the vehicle is clean and free of debris. For your safety, and to ensure a satisfactory installation, perform all installation steps correctly in the sequence shown.

Installation Instructions:

1. Shift vehicle transmission into PARK. Turn key to OFF position and remove from vehicle.
2. During the installation procedure we recommend keeping the protective film on the Windshield panels and only peeling back the film at the mounting and seal locations. The protective film will help avoid scratches during the installation.
3. Press the Edge Seal [Item 9] onto the bottom edge of the Front Windshield [Item 1]. Cut off the excess Bulb Seal length. See Illustration 1-1.
4. During the initial assembly process, leave the hardware finger tight to allow for alignment and adjustments later on.
5. Attach the Front Windshield [Item 1] to the vehicle roll cage with six P-Clamps. See illustration 1-2.
6. Cut two 6.0" (152mm) long pieces of Adhesive Backed Foam [Item 10] and adhere to the bottom tabs of the Rear Windshield on the side facing the rear of the vehicle. See Illustration 1-3.

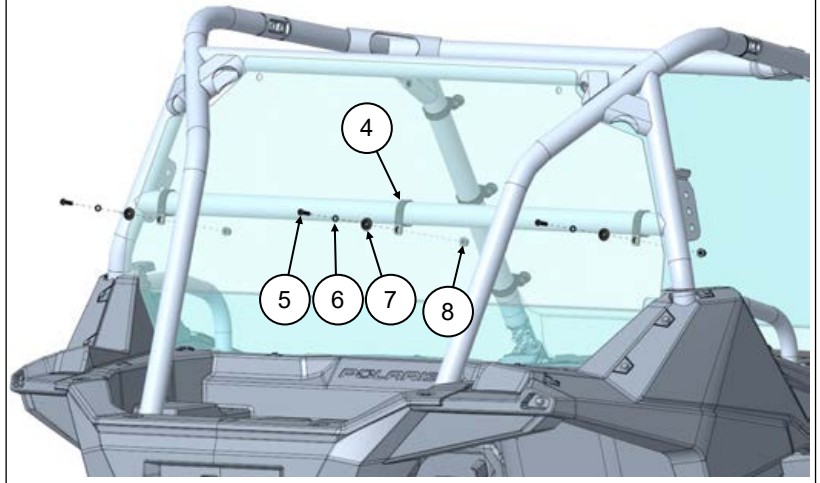


7. Pass the Rear Windshield through the two horizontal roll cage tubes near the headrests, starting from inside the cab. The lower section of the Rear Windshield will need to be bent slightly to get it into the position on the vehicle. Attach the Rear Windshield to the vehicle roll cage with three P-Clamps as shown. See illustration 1-4.

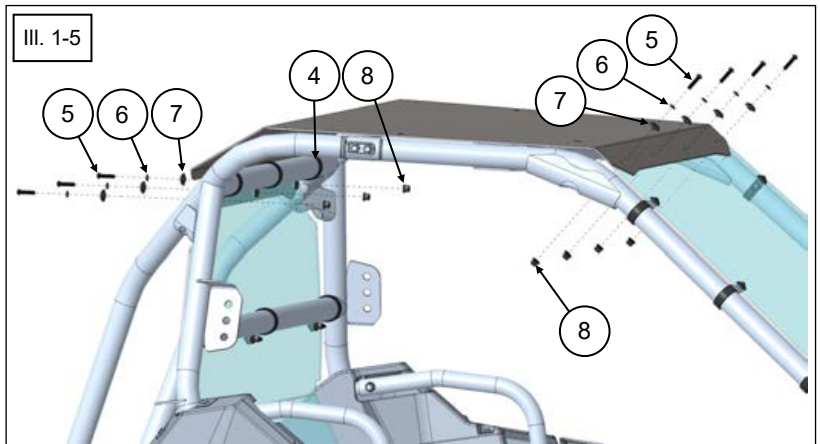


8. Before installing the Roof, align it to the roll cage and adhere pieces of the remaining Adhesive Backed Foam [Item 10] in preferred locations to eliminate rattling between the Windshield + Roof Panels and the roll cage.

9. Place the Roof onto the vehicle roll cage and fasten the Roof to the Rear Windshield and cage using three P-Clamps as shown. Fasten the front of the Roof to the Front Windshield using four fasteners as shown. See illustration 1-5.

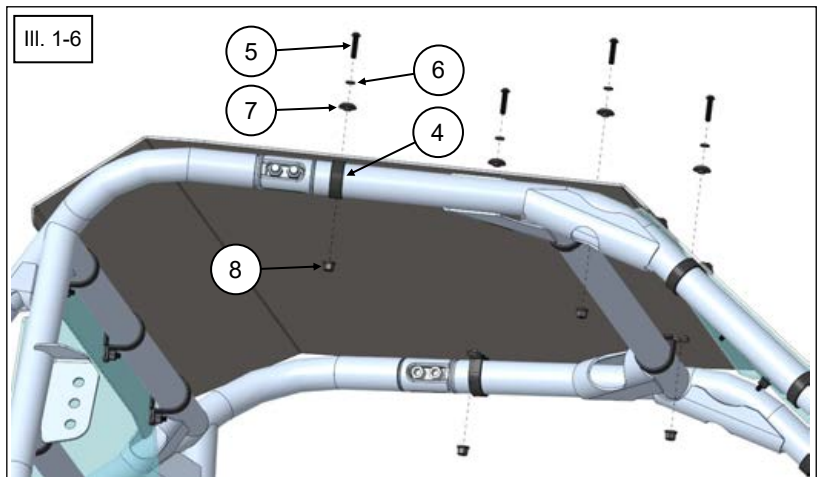


10. Connect the Roof to the roll cage using the four remaining P-Clamps. See illustration 1-6.



11. Adjust the alignment of Windshield and Roof panels as necessary, then tighten all Locknuts.

12. Remove the protective film from **BOTH** sides of the Windshield Panel. Protective film may be clear on one or both sides which can be difficult to see.



13. Re-inspect hardware tightness before and after riding or trailering.

DANGER

TO AVOID SERIOUS INJURY OR DEATH:

1. UTVs ARE TO ONLY BE DRIVEN WITH CLEAN WINDSHIELDS FOR DRIVING VISIBILITY. IF DIRT OR DEBRIS ACCUMULATES ON THE WINDSHIELD WHEN RIDING, STOP THE UTV AT THE NEXT SAFE LOCATION ON THE TRAIL TO CLEAR OFF THE WINDSHIELD BEFORE YOU RESUME RIDING.
2. ONLY INSTALL WINDSHIELDS THAT ARE DESIGNED FOR THE MAKE AND MODEL OF THE UTV. INSTALLATION OF A WINDSHIELD THAT WAS NOT DESIGNED FOR THE UTV MAKE AND MODEL CAN IMPACT WINDSHIELD DURABILITY AND PERFORMANCE.
3. READ AND UNDERSTAND WINDSHIELD INSTRUCTION SHEETS AND UTV OWNER MANUAL BEFORE WINDSHIELD INSTALLATION OR OPERATING THE VEHICLE.
4. PERIODICALLY CHECK FOR WEAR AND TIGHTNESS OF ALL FASTENERS. ALWAYS INSPECT BEFORE AND AFTER RIDING OR TRAILERING. REPLACE OR RE-TORQUE FASTENERS AS NECESSARY.

Windshield Cleaning Information:

- Remove all dirt, mud, dust and debris from Windshield with water before cleaning.
- Use a mild soap or dishwashing detergent along with a soft sponge or soft cotton cloth to clean Windshield surface. Do not apply in direct sunlight. Rinse with water immediately and dry with a soft cotton cloth or chamois.
- Always test cleaning agents in a small inconspicuous area prior to cleaning entire panel.
- Never use Windshield cleaning fluids (409, Windex, etc.), gasoline, high alkaline cleaners, or solvents.
- Never use abrasives, brushes, razor blades, scrapers, squeegees, gloves or dirty cloths.

ONE YEAR LIMITED WARRANTY

For the period of one (1) year from the purchase date, Kolpin will replace for the original purchaser, free of charge, any part or parts found upon examination by Kolpin to be defective in material, workmanship, or both.

All transportation costs incurred submitting product to Kolpin for warranty consideration must be borne by the purchaser. If Kolpin determines that the product must be returned to the factory for credit, please call 1-877-956-5746 for a Return Merchandise Authorization (RMA) number and shipping instructions.

This warranty does not apply to parts that have been damaged by accident, alteration, abuse, improper maintenance, normal wear, or other causes beyond the manufacturer's control. In order to protect you and your ATV, certain parts of the accessory system and/or hardware are designed to fail when the equipment is over-stressed. Parts that are lost due to loosening and improper maintenance are not covered under warranty. This warranty does not cover removal or reinstallation labor fees of the accessory system and related components. Most hardware is general in nature and is easily obtained locally. Be sure to replace with minimum metric class 8.8 specification.

Kolpin Outdoors, Inc.

Telephone: (763)-478-5800

Toll Free: (877)-956-5746

www.kolpin.com

customerservice@kolpin.com