

POLARIS RANGER 150 ROOF-WINDSHIELD-BACK PANEL KIT



Product Instructions | Part No: 2150

Application: Polaris Ranger 150, verify accessory fitment at Kolpin.com.

This Kit Includes:

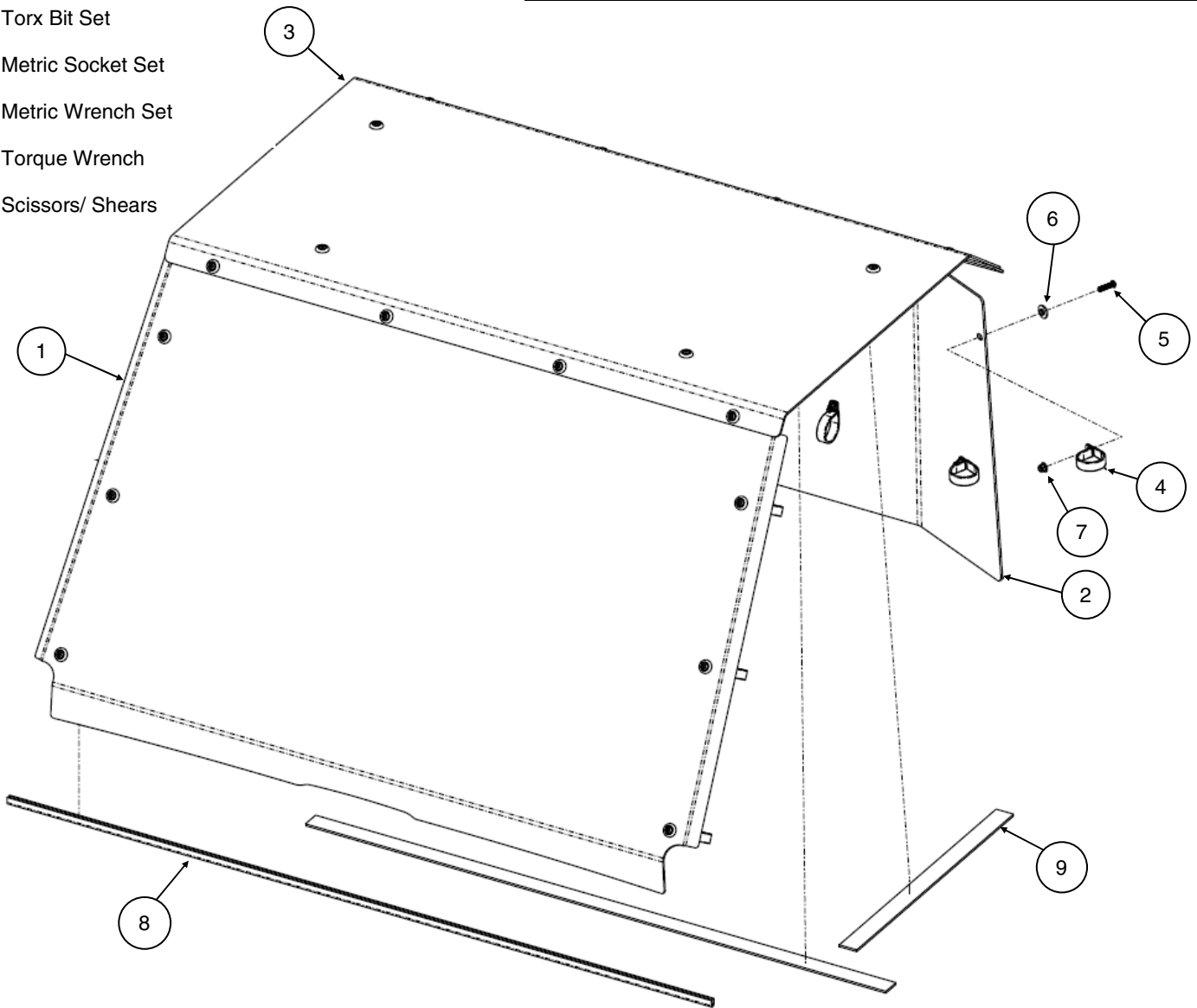
Before You Begin: Read these instructions and check to be sure all parts and tools are accounted for. Please retain these instructions for future reference and parts ordering information.

Note: *If any hardware is missing, do not return to the store. Call us to help, Toll Free 1-877-956-5746.*

Item	Description	Qty	Part Number
1	Windshield Panel	1	
2	Back Panel	1	
3	Roof Panel	1	
4	P-Camp, Steel Vinyl Coated, 1.5" Dia.	16	K100454 (Qty 4)
5	Button Head Screw, M6-1.0 x 26mm LG	24	K100381 (Qty 6)
6	Domed Shoulder Washer - M6	24	
7	Hex Flange Locknut, M6 - 1.0	24	
8	Edge Seal	1	PUR3371
9	Adhesive Backed Foam Pad	2	PUR3357

Tools Required:

- Torx Bit Set
- Metric Socket Set
- Metric Wrench Set
- Torque Wrench
- Scissors/ Shears



Kolpin Outdoors, Inc. | 9955 59th Ave N | Plymouth, MN 55442

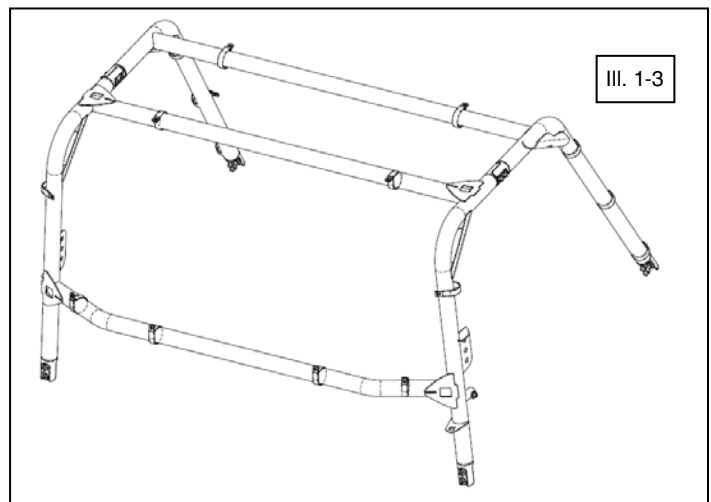
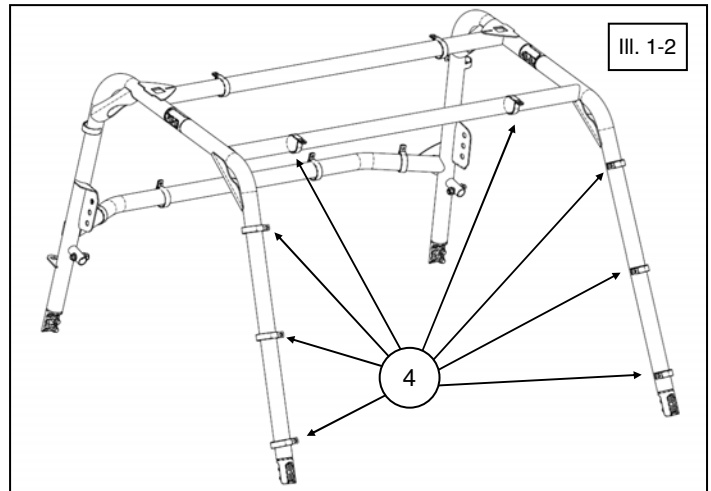
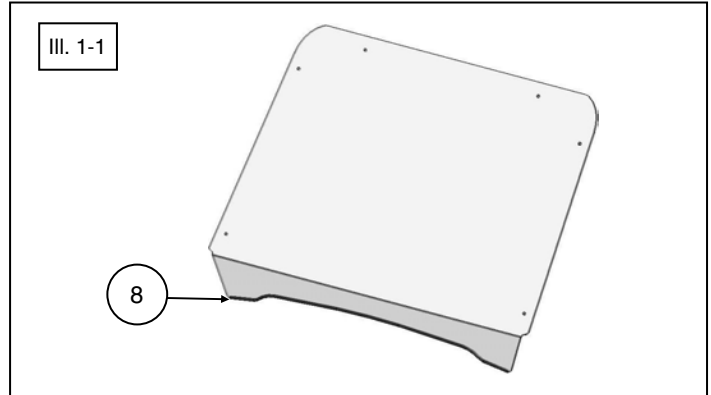
(877) 956-5746 or (763) 478-5800 | www.kolpin.com | customerservice@kolpin.com

Assembly Time: Approximately 36 minutes

Important: Your Kolpin Windshield-Roof-Back Panel Kit is exclusively designed for your vehicle. Please read the installation instructions thoroughly before beginning. Installation is easier if the vehicle is clean and free of debris. For your safety, and to ensure a satisfactory installation, perform all installation steps correctly in the sequence shown. For better cab assembly procedure, install kit in the following order: Front window, rear window, and roof. Keep hands clean and free of grease and dirt when handling glass and plastic products.

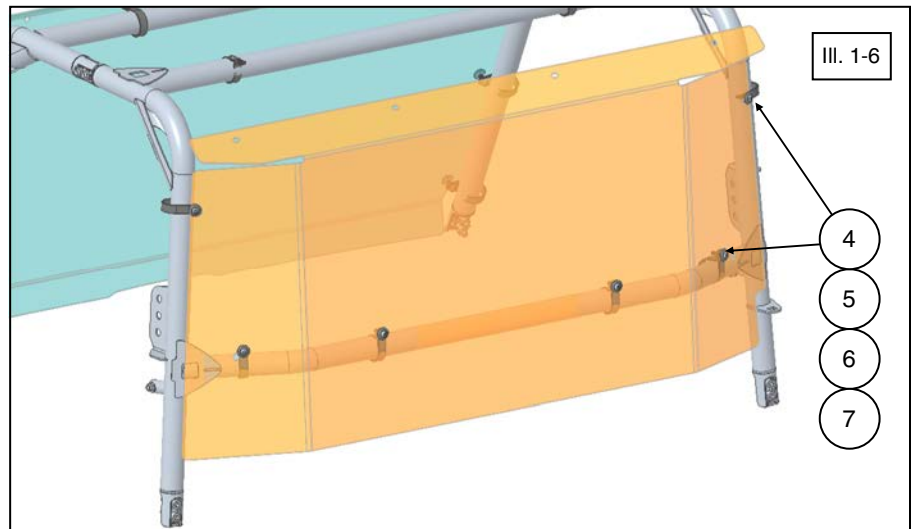
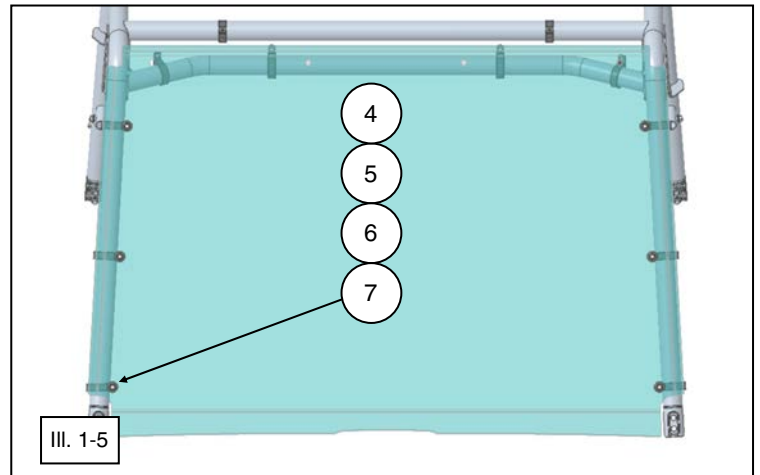
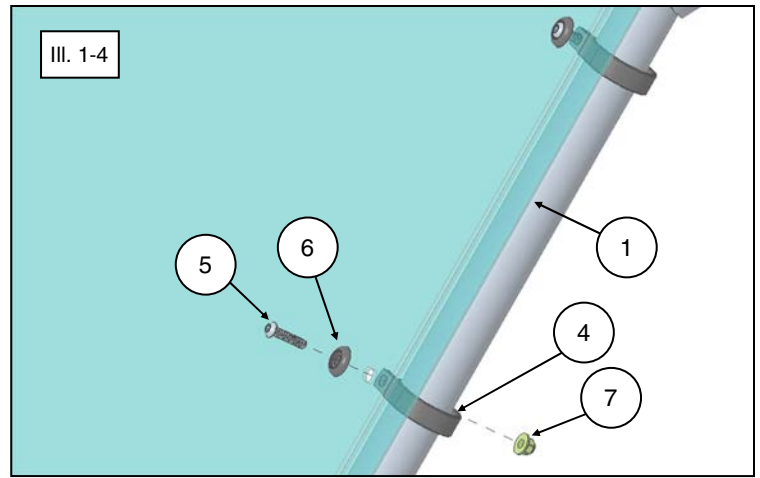
Installation Instructions:

1. Shift vehicle transmission into PARK. Turn key to OFF position and remove from vehicle.
2. Carefully remove the Windshield panel from the box and place on a clean flat surface that won't scratch the windshield. We recommend leaving the protective film on both sides of the Windshield panel during assembly and only partially peeling it back in locations where mounting components are attached.
3. On the bottom edge, peel back ~2 inches of protective film from the inside and outside surfaces. Press the Edge Seal (item #8) into position along the bottom edge and cut the end to length using shears or a scissors. (See illustration 1-1.)
4. Place the steel clamps (item #4) into the approximate locations indicated on the cab frame of the vehicle without hardware as shown. Make sure the clamps are orientated as shown. (See illustrations 1-2 and 1-3). **Note: Some components are hidden for clarity.**



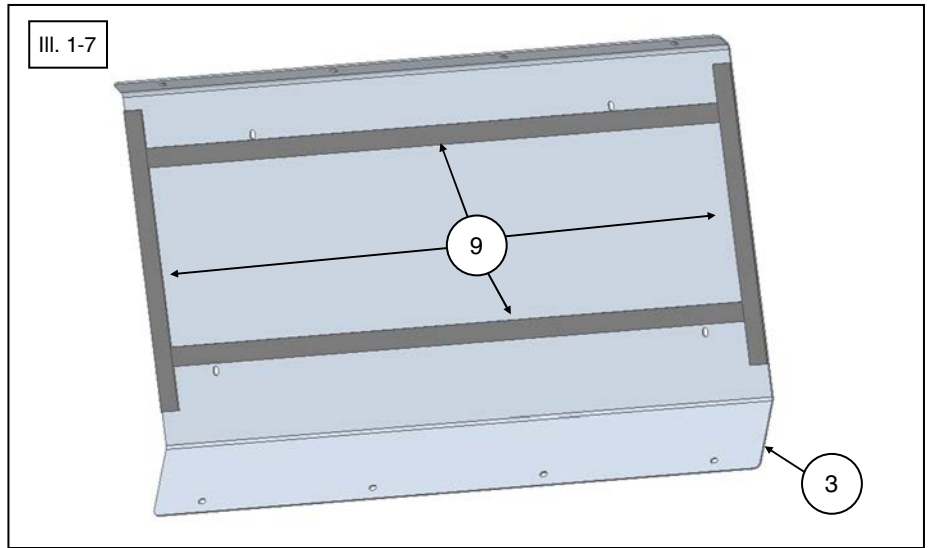
Installation Instructions (continued):

5. Remove the protective film completely and place front windshield panel (item #1) onto front cab frame and adjust the Windshield to the most centered position. Install windshield to the p-clamps (item #4) using the button screws (item #5), the domed plastic shoulder washer (item #6) and locknuts (item #7). Keep loose and do not tighten at this time. (See illustrations 1-4 and 1-5). **Note: Some items are hidden for clarity.**
6. Install the back panel (item #2) to the outside of the rear cab frame using the p-clamps (item #4), button screws (item #5), the domed plastic shoulder washer (item #6) and locknuts (item #7). Keep loose and do not tighten at this time. (See illustration 1-6). **Note: Some items are hidden for clarity.**



Installation Instructions (continued):

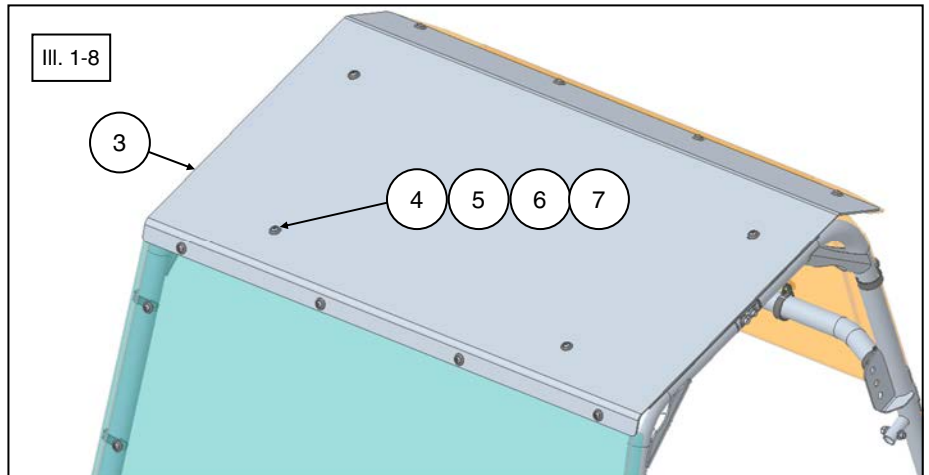
7. Install provided adhesive backed foam pads (item #9) to the INTERIOR side of the roof panel (item #3) in the locations where the edge of the poly roof may come in contact with the ROPS tubes such as shown. The provided pads will assist in limiting excessive rattling noise between the cab and ROPS tubes. (See illustration 1-7). **Note: Use a scissors or shears to trim the foam pad to length.**
8. Install roof (item #3) onto the cab frame using the p-clamps (item #4), button head screws (item #5), domed shoulder washers (item #6) and locknuts (item #7). Keep loose and do not tighten at this time. (See illustration 1-8).



IMPORTANT

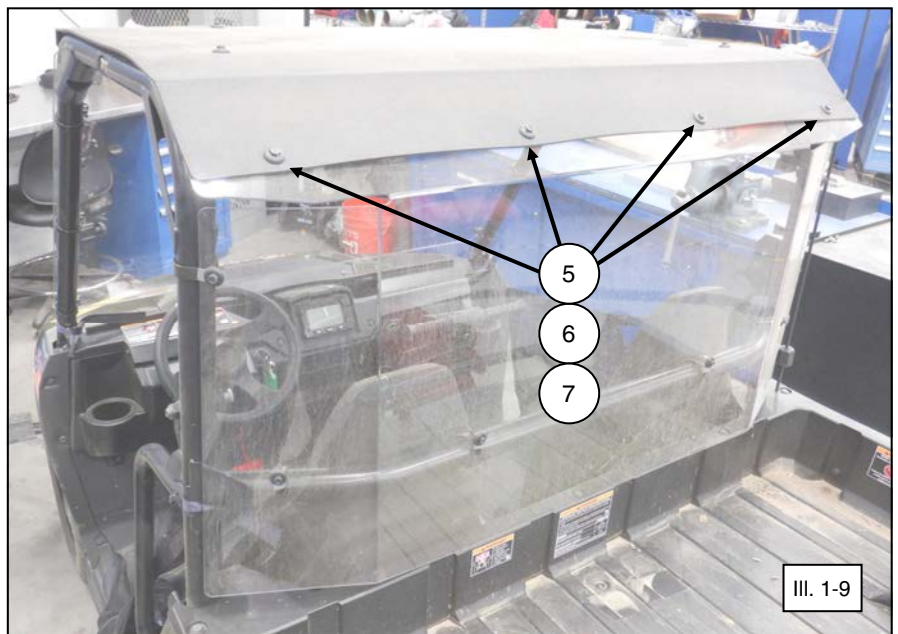
Make sure to rotate clamps up to contact the panels before tightening. If the panels begin to deform during tightening, loosen the fastener and rotate the clamp more closely to the panel to prevent deforming the panels.

9. Assemble the roof to the top edge of the windshield and to the top edge of the back panel using button head screws (item #5), domed shoulder washers (item #6) and locknuts (item #7). (See illustrations 1-8 and 1-9).
10. Tighten hardware to specification.



$\text{E} = \text{T}$
6MM FASTENER TORQUE:
42 in.-lbs. (4.75 Nm)

11. Re-inspect hardware before and after riding or trailering.





Windshield Cleaning Information:

- Remove all dirt, mud, dust and debris from Windshield with water before cleaning.
- Use a mild soap or dishwashing detergent along with a soft sponge or soft cotton cloth to clean Windshield surface. Do not apply in direct sunlight. Rinse with water immediately and dry with a soft cotton cloth or chamois.
- Always test cleaning agents in a small inconspicuous area prior to cleaning entire panel.
- Never use Windshield cleaning fluids (409, Windex, etc.), gasoline, high alkaline cleaners, or solvents.
- Never use abrasives, brushes, razor blades, scrapers, squeegees, gloves or dirty cloths.

For additional assistance, please contact Kolpin customer service department at (877) 956-5746 or (763) 478-5800 or email customerservice@kolpin.com.

One Year Limited Warranty

For the period of one (1) year from the purchase date, Kolpin will replace for the original purchaser, free of charge, any part or parts found upon examination by Kolpin to be defective in material, workmanship, or both.

All transportation costs incurred submitting product to Kolpin for warranty consideration must be borne by the purchaser. If Kolpin determines that the product must be returned to the factory for credit, please call 1-877-956-5746 for a Return Merchandise Authorization (RMA) number and shipping instructions.

This warranty does not apply to parts that have been damaged by accident, alteration, abuse, improper maintenance, normal wear, or other causes beyond the manufacturer's control. In order to protect you and your ATV, certain parts of the accessory system and/or hardware are designed to fail when the equipment is over-stressed. Parts that are lost due to loosening and improper maintenance are not covered under warranty. This warranty does not cover removal or reinstallation labor fees of the plow system and related components.

Peripheral products such as engines, electric motors, and actuators may carry an original manufacturer's warranty. Most hardware is general in nature and is easily obtained locally. Be sure to replace with minimum metric class 8.8 specification.