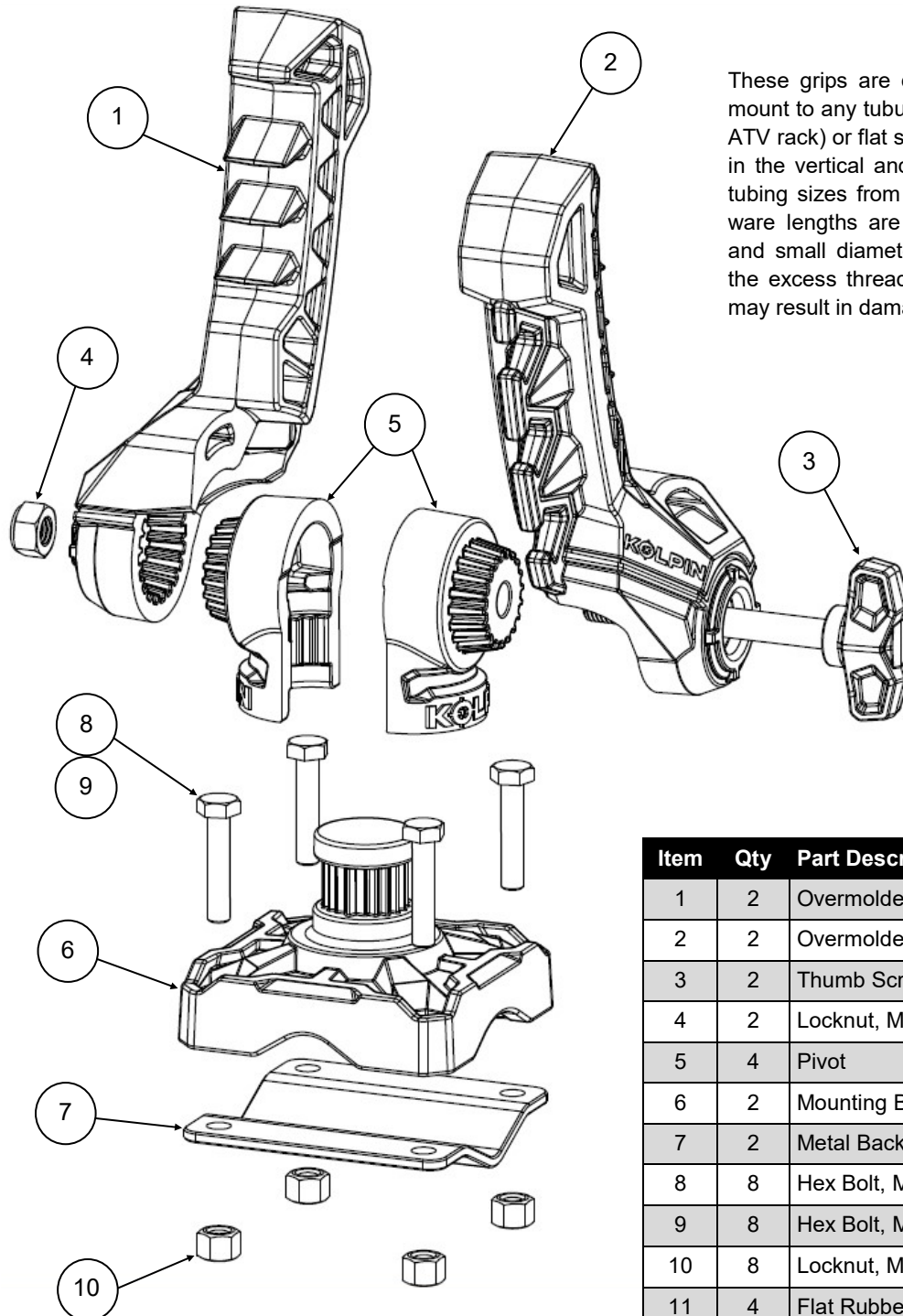


Rhino Grip XLR



Product Instructions | Part No: 21550

Before you begin, read these instructions and check to be sure all parts and tools are accounted for. Please retain these instructions for future reference and part ordering information. Note: If any hardware is missing, do not return to the store. Call us to help, toll free at 1-877-956-5746.



These grips are designed to quickly and easily mount to any tubular bar (example UTV roll cage or ATV rack) or flat surface. The grips can be mounted in the vertical and horizontal positions. The kit fits tubing sizes from 3/4" to 2.0" diameter. Two hardware lengths are provided to accommodate large and small diameter tubing. You may need to trim the excess thread once installed. Failure to do so may result in damage to your vehicle.

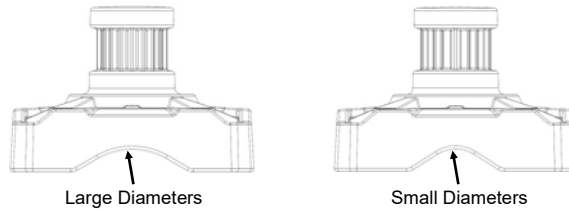
Item	Qty	Part Description	Spare P/N
1	2	Overmolded Grip Arm - A	-
2	2	Overmolded Grip Arm - B	-
3	2	Thumb Screw - Grip	-
4	2	Locknut, M8 - 1.25	-
5	4	Pivot	-
6	2	Mounting Base	-
7	2	Metal Backer Plate	71512
8	8	Hex Bolt, M6—1.0 x 30mm	K100149
9	8	Hex Bolt, M6—1.0 x 60mm	
10	8	Locknut, M6—1.0	
11	4	Flat Rubber Pad (Not Shown)	-
12	2	Rubber Strap (Not Shown)	21591

Kolpin Outdoors, Inc. | 9955 59th Ave N | Plymouth, MN 55442

(877) 956-5746 or (763) 478-5800 | kolpin.com | customerservice@kolpin.com

Mounting Instructions:

1. Position the Mounting Base (Item #6) on the roll bar/rack/flat surface where desired. The bottom of the Mounting Base has two different shaped surfaces to fit large and small diameters, see below. Flat surface mounting will required drilling at this time to continue.



2. Insert the Hex Bolts [Item #8 or #9 depending on length needed] thru the Mounting Base [Item #6] and Metal Backer Plate [Item #7] on the opposite side of the roll bar/rack/flat surface. The Flat Rubber Pad [Item #11] can be placed between the Metal Backer Plate [Item #7] and the roll bar/rack to help eliminate the possibility of the Grips rotating and protect paint. Now loosely fasten the Locknuts [Item #10].
3. At this time the Grip Opening, Angle, and Rotation can be adjusted to fit desired items and vehicle accordingly. To do so, remove the Thumb Screw [Item #3] to allow the assembly to be disassembled and adjusted. Once adjusted, re-install the Thumb Screw [Item #3] and tighten to secure the Grip assembly.

4. Tighten the Locknuts [Item #10] evenly to torque specification.

WARNING: Do not over tighten hardware or damage can occur.

Item	N*m	kgf*m	lbf*ft
10	5	0.5	4

5. Repeat above steps for installing the other grip assembly onto the opposite side.
6. Place desired item in Grips and connect Rubber Straps [Item #12] to the hooks on the outside of the Grips. Tension can be adjusted using different connection points and/or segments of the Strap.

Use and Care Information:

- Check the accessory mounts frequently and retighten if necessary.
- Replace this accessory with a new one if it is damaged or discolored excessively.
- When this accessory becomes dirty, rinse thoroughly with cool water to remove loose dirt, then wipe with a clean cloth or sponge.
- Never use petroleum solvents such as gasoline, thinner, benzene, acid or alkaline cleaners.
- Its recommended to keep out of direct sunlight exposure during long periods of time.

For additional assistance, please contact Kolpin customer service department at (877) 956-5746 or (763) 478-5800 or email customerservice@kolpin.com

One Year Limited Warranty

For the period of one (1) year from the purchase date, Kolpin will replace for the original purchaser, free of charge, any part or parts found upon examination by Kolpin to be defective in material, workmanship, or both.

All transportation costs incurred submitting product to Kolpin for warranty consideration must be borne by the purchaser. If Kolpin determines that the product must be returned to the factory for credit, please call 1-877-956-5746 for a Return Merchandise Authorization (RMA) number and shipping instructions.

This warranty does not apply to parts that have been damaged by accident, alteration, abuse, improper maintenance, normal wear, or other causes beyond the manufacturer's control. In order to protect you and your ATV, certain parts of the accessory system and/or hardware are designed to fail when the equipment is over-stressed. Parts that are lost due to loosening and improper maintenance are not covered under warranty. This warranty does not cover removal or reinstallation labor fees of the accessory system and related components.

Peripheral products such as engines, electric motors, and actuators may carry an original manufacturer's warranty. Most hardware is general in nature and is easily obtained locally. Be sure to replace with minimum metric class 8.8 specification.