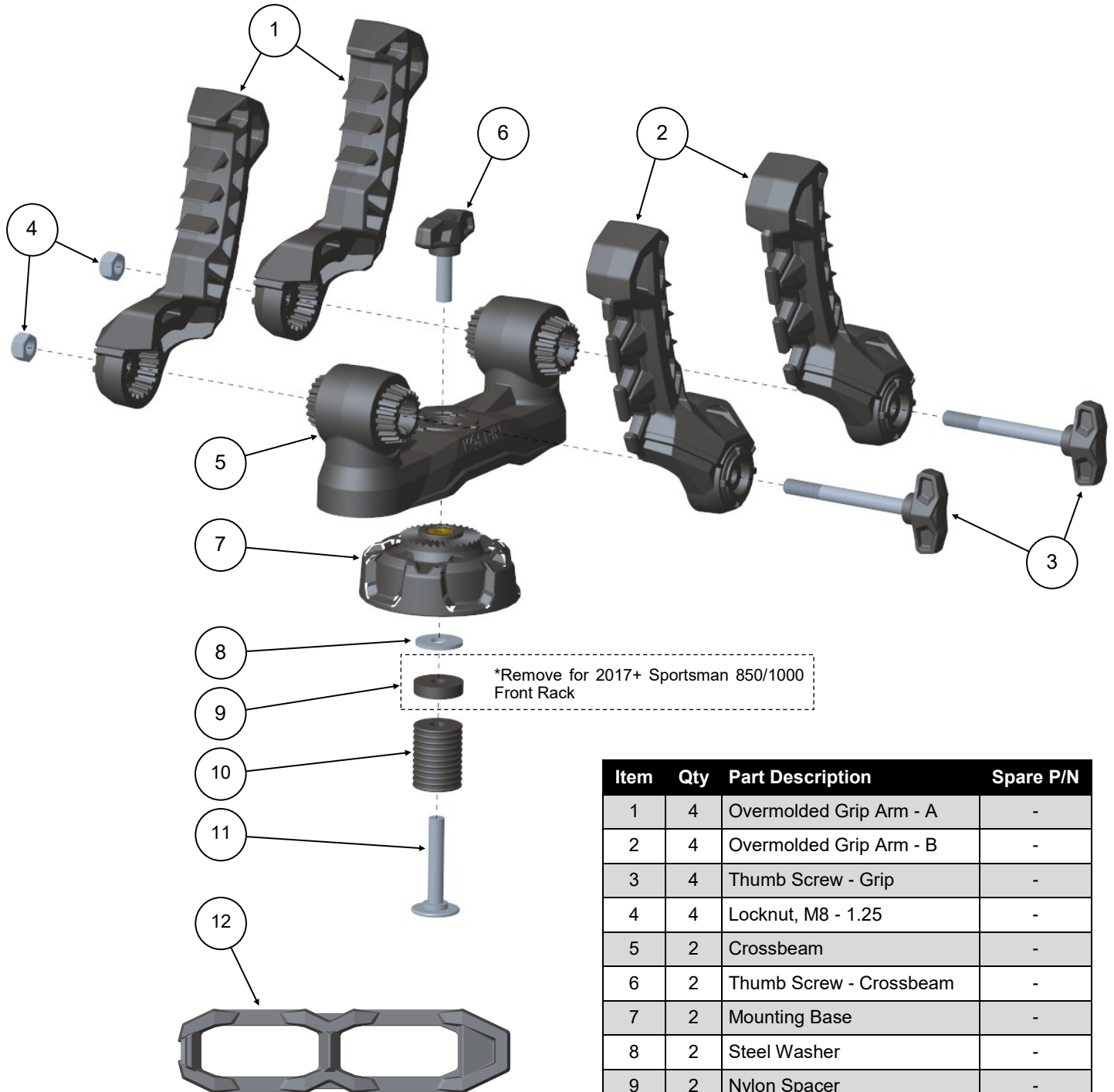


Rhino Grip XLR Double - Polaris ATV Lock & Ride

Product Instructions | Part No: 21553

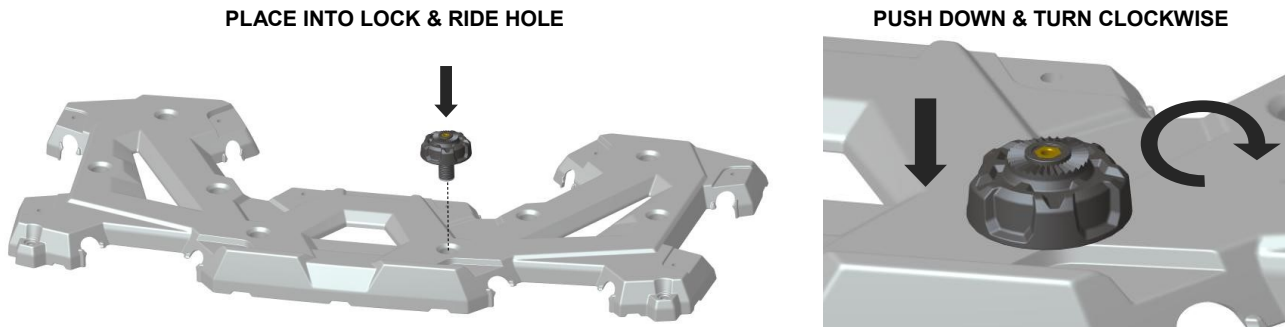
Before you begin, read these instructions and check to be sure all parts and tools are accounted for. Please retain these instructions for future reference and part ordering information. Note: If any hardware is missing, do not return to the store. Call us to help, toll free at 1-877-956-5746.



Item	Qty	Part Description	Spare P/N
1	4	Overmolded Grip Arm - A	-
2	4	Overmolded Grip Arm - B	-
3	4	Thumb Screw - Grip	-
4	4	Locknut, M8 - 1.25	-
5	2	Crossbeam	-
6	2	Thumb Screw - Crossbeam	-
7	2	Mounting Base	-
8	2	Steel Washer	-
9	2	Nylon Spacer	-
10	2	Rubber Bushing	-
11	2	Threaded Post	-
12	4	Rubber Strap	21591

Mounting Instructions:

1. Attach the Lock & Ride components [Items 8 thru 11] into the threaded hole on the bottom of the Mounting Base [Item 7].
Note: Remove the Nylon Spacer [Item 9] to mount onto the **front** rack of a **2017+ Polaris Sportsman 850/1000**.
2. Adjust the tightness of the Rubber Bushing [Item 10] until it expands enough to make light contact with the Lock & Ride hole on the vehicle but can still be pushed in far enough so the bottom of the Mounting Base [Item 7] makes contact with the vehicle rack.
3. Place into vehicle's Lock & Ride hole and push down while turning the Mounting Base clockwise to tighten. The Rubber Bushing [Item 10] will expand and draw the Mounting Base tight to the vehicle rack.



4. Attach Crossbeam [Item 5] to the Mounting Base [Item 7] using the Thumb Screw [Item 6]. **Tighten Thumb Screw securely.** The upper Grip Arms [Items 1 & 2] can be left assembled or removed during install.
5. To remove from vehicle, turn the Mounting Base counter-clockwise until the Rhino Grip can be pulled out of the Lock & Ride hole.

Grip Adjustment Instructions:

1. Remove the Thumb Screws [Item 3] and Arms [Items 1 & 2] from the Crossbeam.
2. Re-assemble in desired position and tighten Thumb Screw securely.

Use and Care Information:

- Check the accessory mounts frequently and retighten if necessary.
- Replace this accessory with a new one if it is damaged or discolored excessively.
- When this accessory becomes dirty, rinse thoroughly with cool water to remove loose dirt, then wipe with a clean cloth or sponge.
- Never use petroleum solvents such as gasoline, thinner, benzene, acid or alkaline cleaners.
- Its recommended to keep out of direct sunlight exposure during long periods of time.

For additional assistance, please contact Kolpin customer service department at (877) 956-5746 or (763) 478-5800 or email customerservice@kolpin.com

One Year Limited Warranty

For the period of one (1) year from the purchase date, Kolpin will replace for the original purchaser, free of charge, any part or parts found upon examination by Kolpin to be defective in material, workmanship, or both.

All transportation costs incurred submitting product to Kolpin for warranty consideration must be borne by the purchaser. If Kolpin determines that the product must be returned to the factory for credit, please call 1-877-956-5746 for a Return Merchandise Authorization (RMA) number and shipping instructions.

This warranty does not apply to parts that have been damaged by accident, alteration, abuse, improper maintenance, normal wear, or other causes beyond the manufacturer's control. In order to protect you and your ATV, certain parts of the accessory system and/or hardware are designed to fail when the equipment is over-stressed. Parts that are lost due to loosening and improper maintenance are not covered under warranty. This warranty does not cover removal or reinstallation labor fees of the accessory system and related components.

Most hardware is general in nature and is easily obtained locally. Be sure to replace with minimum metric class 8.8 specification.