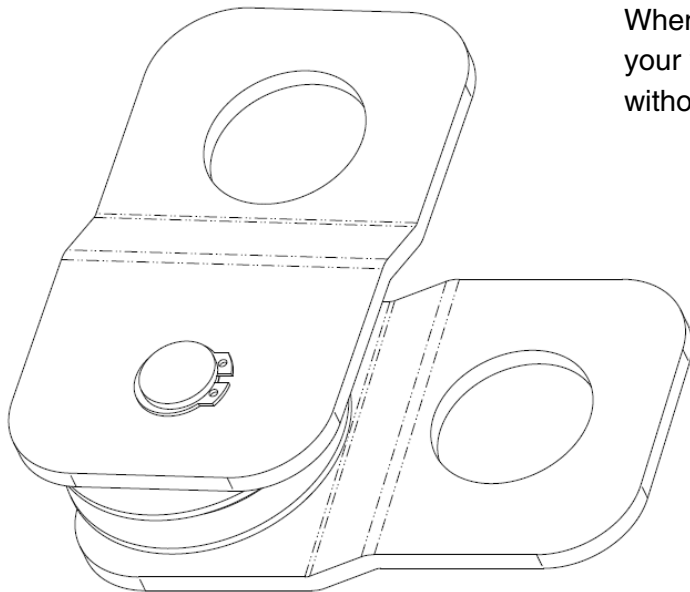


4-Ton Snatch Block Pulley

Product Instructions | Part No: 25-0400

Before You Begin: Read these instructions and check to be sure all parts and tools are accounted for. Please retain these installation instructions for future reference and parts ordering information.

Note: *If any hardware is missing, do not return to the store. Call us to help, Toll Free 1-877-956-5746.*



When properly used, the snatch block allows you to increase your winch's pulling power and change your pulling direction without damaging the cable.

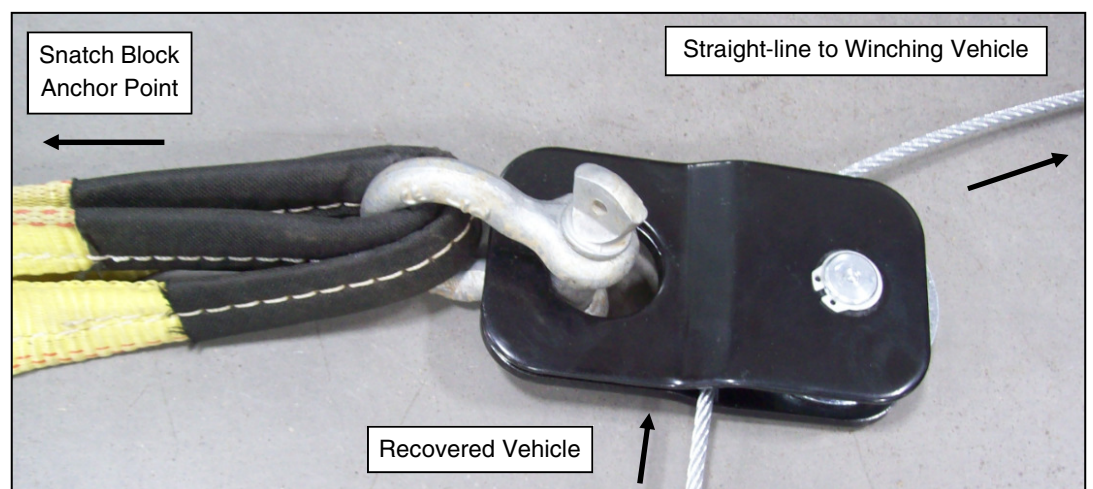
Use a clevis D-shackle to safely connect the snatch block to a choke chain or looped ends of recovery strap.

Use a choker chain to hook-up to another vehicle or sharp objects for an anchor point.

When trees are used as an anchor point, use a recovery tree trunk strap to prevent damage.

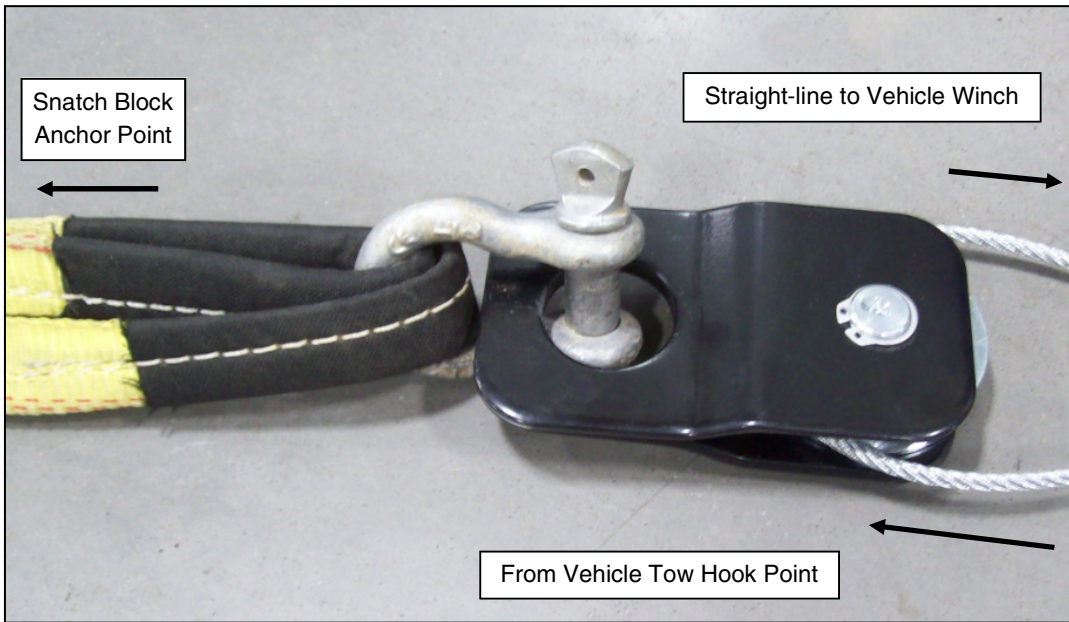
Change the pulling direction:

To prevent the cable from collecting on one side of the winch spool while winching, utilize a straight line from the winch to the object being pulled. You can change your pulling direction and still allow the cable to be 90° to wind properly on the spool by securing the snatch block to a point directly in front of the vehicle. Secure the recovery strap or choker chain to an anchor point.



Increase pulling power:

You may have recovery cases where more pulling power is needed. The snatch block pulley increases the mechanical advantage and that increases pulling power. Pulling power decreases with the number of layers of cable on winch spool, you can use a snatch block to double line out more cable. More cable out reduces the number of layers on winch spool and increases pulling power. Start by feeding out enough cable to free the winch hook. Attach the hook to vehicle tow hook point and run cable through snatch block. Pull out enough cable to reach your anchor point. Secure the recovery strap or choker chain to an anchor point. Using a clevis shackle, attach the snatch block to the two ends of the recovery strap or choker chain.



For additional assistance, please contact Kolpin customer service department at (877) 956-5746 or (763) 478-5800 or email customerservice@kolpin.com

One Year Limited Warranty

For the period of one (1) year from the purchase date, Kolpin will replace for the original purchaser, free of charge, any part or parts found upon examination by Kolpin to be defective in material, workmanship, or both.

All transportation costs incurred submitting product to Kolpin for warranty consideration must be borne by the purchaser. If Kolpin determines that the product must be returned to the factory for credit, please call 1-877-956-5746 for a Return Merchandise Authorization (RMA) number and shipping instructions.

This warranty does not apply to parts that have been damaged by accident, alteration, abuse, improper maintenance, normal wear, or other causes beyond the manufacturer's control. In order to protect you and your ATV, certain parts of the accessory system and/or hardware are designed to fail when the equipment is over-stressed. Parts that are lost due to loosening and improper maintenance are not covered under warranty. This warranty does not cover removal or reinstallation labor fees of the plow system and related components.

Peripheral products such as engines, electric motors, and actuators may carry an original manufacturer's warranty. Most hardware is general in nature and is easily obtained locally. Be sure to replace with minimum metric class 8.8 specification.