



WINCH MOUNT KIT

FOR HONDA FOREMAN 500 / RUBICON 500

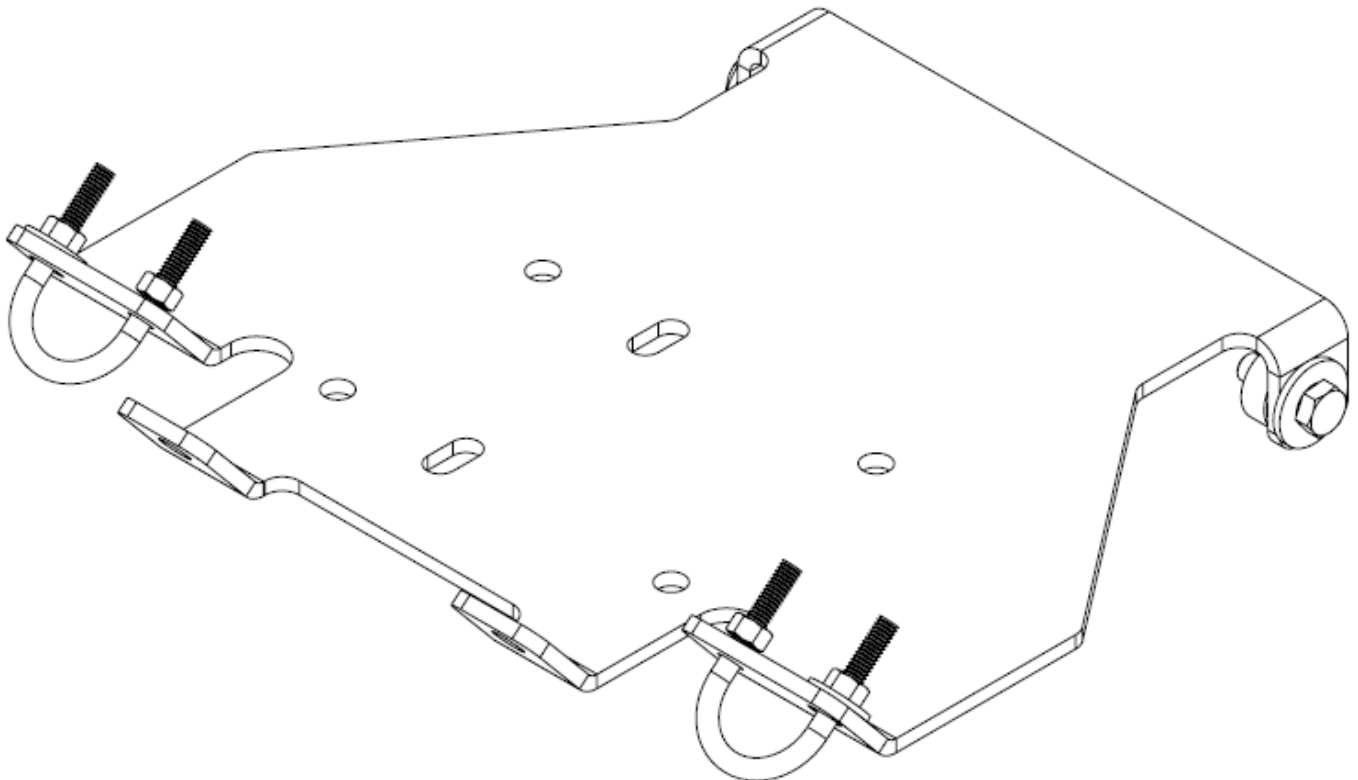
P/N 25-1200

ASSEMBLY / OWNERS MANUAL

Application

WINCH KIT NO. 25-9xxx

Before you begin, please read these instructions and check to be sure all parts and tools are accounted for. The following instructions contain details required to install and service the contents of this kit.



OPERATING INSTRUCTIONS

Congratulations! You've just purchased the most durable accessory component in the industry. Our accessories work great all year round! With proper care and maintenance, your Kolpin accessory will last for years to come! Please read and understand all assembly instructions, notices and warnings before assembling and using your Kolpin accessory.

Follow these guidelines to ensure a successful and satisfactory installation:

Read, understand this manual before beginning installation

Periodically check for wear and tightness of all fasteners.

Replace or re-torque fasteners as necessary.

SAFETY & GENERAL PRODUCT INFORMATION

Kolpin accessories are designed with your safety in mind.

In order to protect you and your vehicle, certain parts of the accessory and/or hardware may be designed to collapse or break when the equipment is over-stressed.

Kolpin winch mount kits are designed to be compatible with Kolpin and Cycle Country winches along with many others, but may not be compatible with some winches. Kolpin winch mount kits have design features that benefit snow plow applications.



! DANGER ! ! WARNING ! ! CAUTION !

To avoid personal injury or damage to your vehicle:

Read and understand all notices for:

Caution

Warning

Danger

Follow instructions for your vehicle, winch, winch mount and other items used in combination with this product.

Do not winch unsecured loads at any time.

Disconnect battery during winch installation or service to prevent electrical hazards.

Do not lift loads overhead.

Do not exceed the load capacity of the winch.

Always wear gloves when handling wire winch cable.

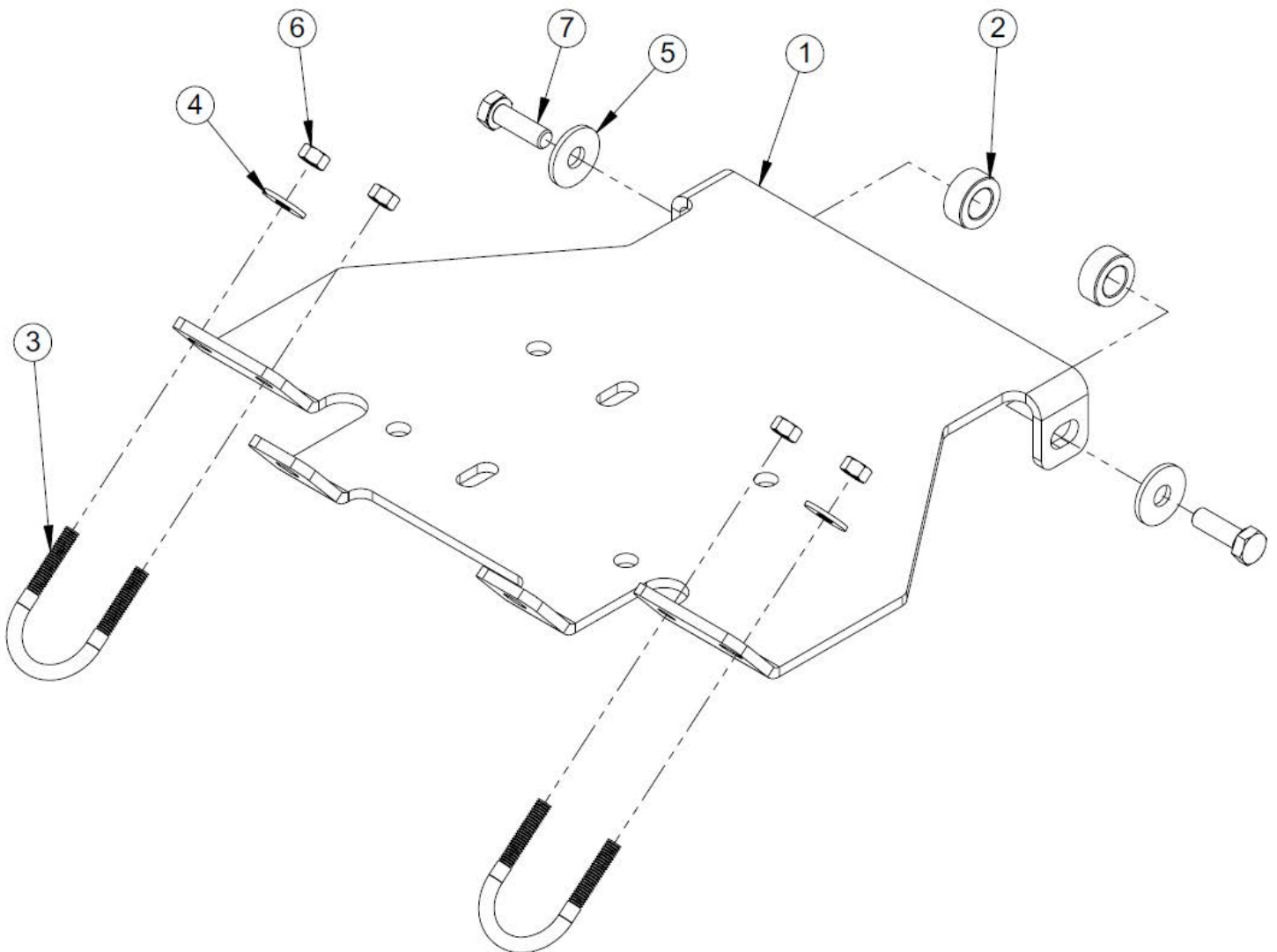
Do not use your winch or winch mount for towing.

Do not shock load the winch, cable or winch mount.

Keep fingers, hands and loose clothing away from roller fairlead and winch cable drum when in use.

Kit Contents:

Item	Qty	Part Description	Part Number
1	1	Foreman Rubicon Winch Mount Plate	-
2	2	Steel Bushing Spacer 7/8"	-
3	2	Round U-Bolt, Zinc Plated, M6-1.0 x 30mm x 50mm	-
4	2	Flat Washer, Zinc Plated, M6	-
5	2	Flat Washer, Zinc Plated, M8	-
6	4	Locknut, Zinc Plated, M6-1.0	-
7	2	Hex Bolt, Zinc Plated, M8-1.25 x 25mm LG	-
8	1	Instruction Guide (not shown)	-



BEFORE YOU BEGIN:

- Your Kolpin accessory is exclusively designed for your vehicle
- Please read and understand all instructions
- Verify all parts and tools are accounted for
- To ensure a satisfactory installation, follow all steps correctly and in the sequence described
- Keep these instructions for future reference or for informational requests
- To facilitate installation, make sure that your vehicle is clean and free of debris
- All directions referring to right and left are when the rider is sitting on the machine

TOOLS REQUIRED:

- Basic Metric Wrench and Socket Set
- Pliers
- Do not use impact tools to install hardware

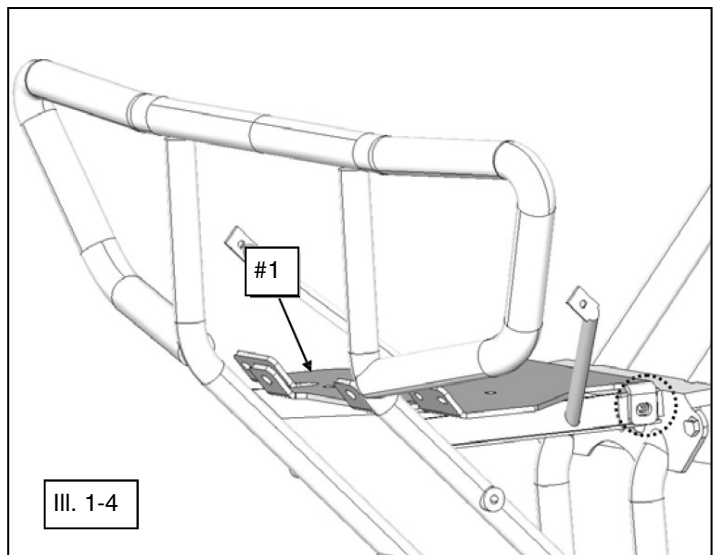
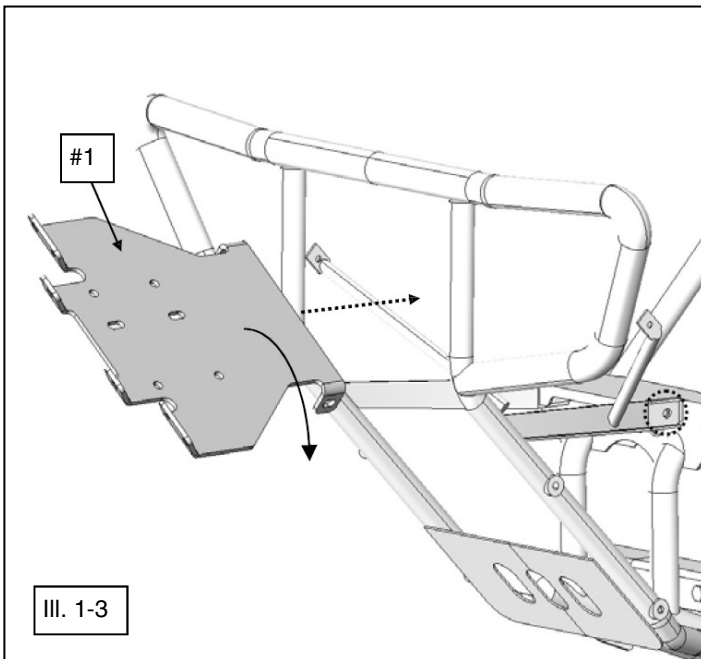
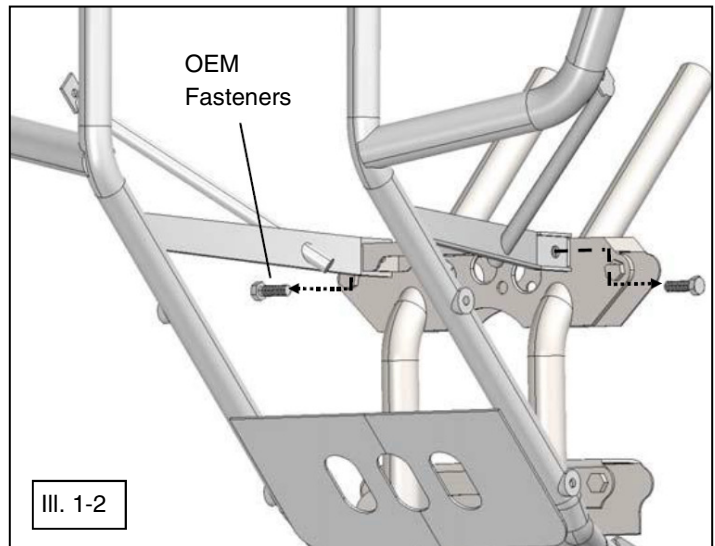
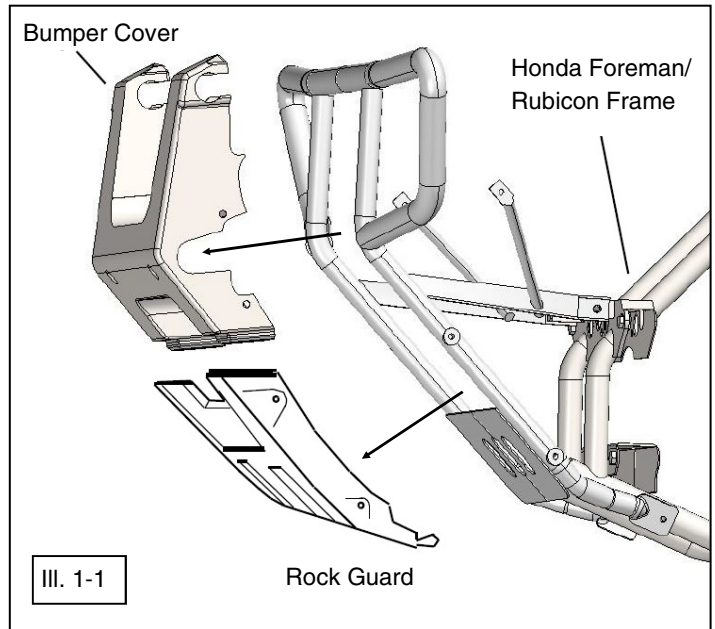
APPROXIMATE ASSEMBLY TIME: 30 minutes

Note: If any hardware is missing, do not return to the store. Call us to help, Toll Free 1-877-956-5746.

SPARE KITS		Hardware kit P/N CYC1982
Item	Description	
2	Steel Bushing Spacer 7/8"	2x
3	Round U-Bolt, Zinc Plated, M6-1.0 x 30mm x 50mm	2x
4	Flat Washer, Zinc Plated, M6	2x
5	Flat Washer, Zinc Plated, M8	2x
6	Locknut, Zinc Plated, M6-1.0	4x
7	Hex Bolt, Zinc Plated, M8-1.25 x 25mm LG	2x

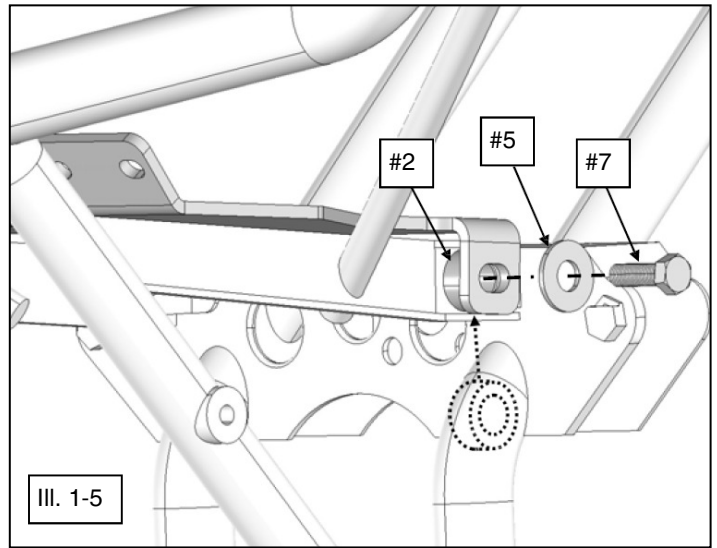
Mount Plate Installation:


1. Remove the bumper cover and lower rock guard from the ATV as shown. (See illustration 1-1).
2. Remove the two OEM bumper bolts located on the upper portion of the frame as shown. (See illustration 1-2). **Note, the OEM bolts will not be re-used to install the winch mount plate.**
3. Place the winch mount plate (item #1) on the frame supports as shown in illustration 1-2. Insert winch mount at an angle through the front of the frame, then place on top of bumper supports. (See illustrations 1-3 and 1-4).




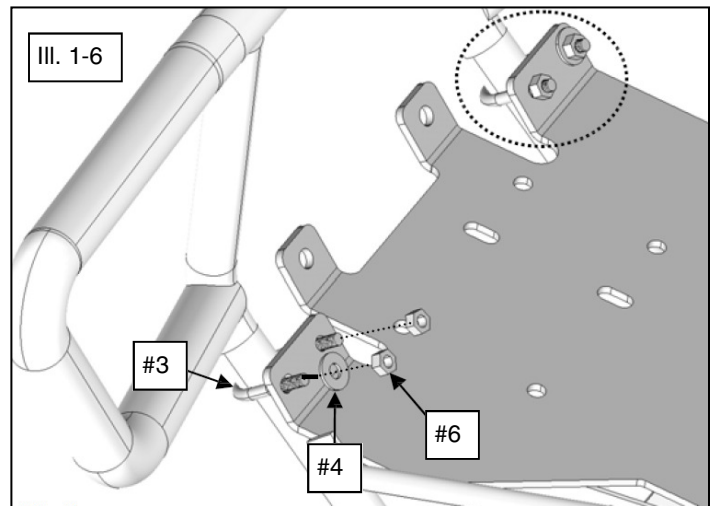
Mount Plate Installation (continued):

4. Place bushings (item #2) between the left and right bumper support mount holes and the winch mount. Place M8 washers (item #5) over the mount holes and fasten with M8 metric bolts (item #7) as shown. (See illustration 1-5). **Note, do not tighten the fasteners at this time.**
5. Install u-bolts (item #3) around the bumper frame and through the front mount holes. Place M6 washers (item #4) over the slotted holes and fasten with M6 locknuts (item #6).
6. Torque all mount fasteners to specifications.



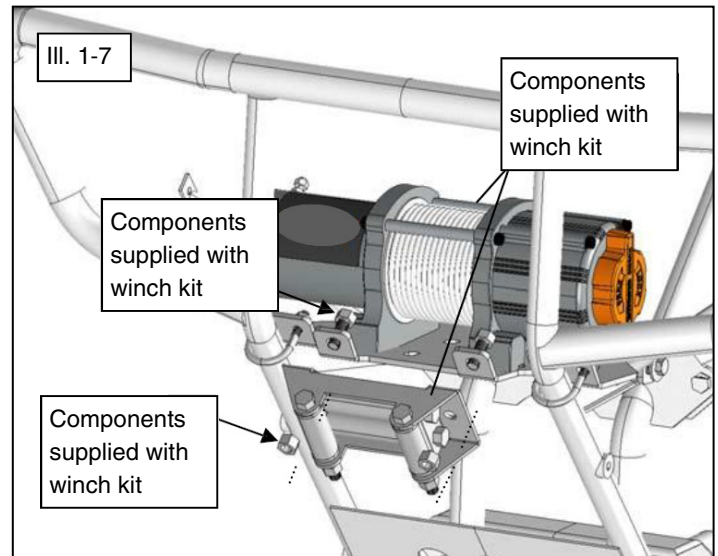
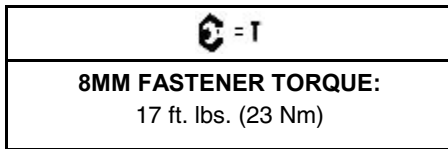
 = T
6MM FASTENER TORQUE: 7 ft. lbs. (9.5 Nm)

 = T
8MM FASTENER TORQUE: 17 ft. lbs. (23 Nm)



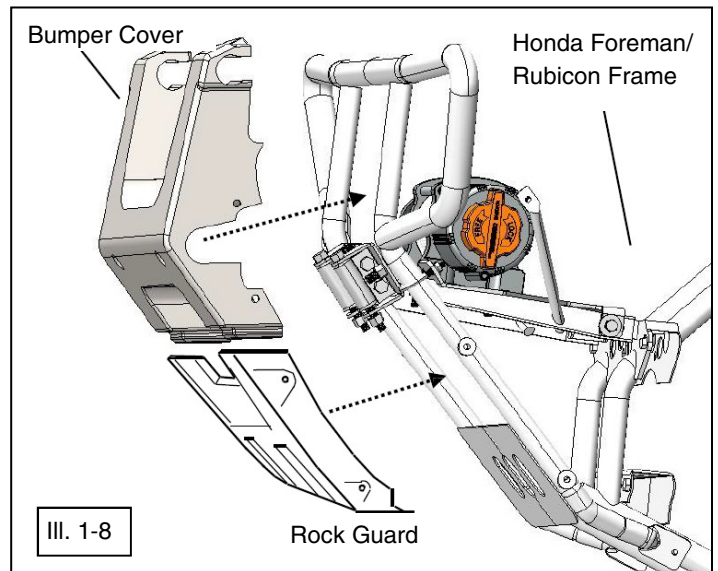
Roller Fairlead Installation:

7. Install winch and roller fairlead per the instructions that came with the kit. Use fasteners included with winch kit to secure the fairlead to the winch mount. Tighten to M8 specification. (See illustration 1-7).
8. Re-install the OEM bumper cover and rock guard. Tighten fasteners to manufacture specifications. (See illustration 1-8).



Winch Wiring and Connections:

9. Using the winch kit instructions, route and connect the electrical cables and components for the winch system.
10. Secure all harnesses using cable ties (provided with winch kit) to prevent contact with hot components, sharp edges or moving parts.
11. Reconnect red positive (+) cable and black negative (-) cable to battery.
12. With the vehicle key in the ON position, check winch for proper operation.
13. Retighten all hardware after 30 minutes of riding.





One Year Limited Warranty

For the period of one (1) year from the purchase date, Kolpin will replace for the original purchaser, free of charge, any part or parts found upon examination by Kolpin to be defective in material, workmanship, or both.

All transportation costs incurred submitting product to Kolpin for warranty consideration must be borne by the purchaser. If Kolpin determines that the product must be returned to the factory for credit, please call 1-877-956-5746 for a Return Merchandise Authorization (RMA) number and shipping instructions.

This warranty does not apply to parts that have been damaged by accident, alteration, abuse, improper maintenance, normal wear, or other causes beyond the manufacturer's control. In order to protect you and your ATV, certain parts of the accessory system and/or hardware are designed to fail when the equipment is over-stressed. Parts that are lost due to loosening and improper maintenance are not covered under warranty. This warranty does not cover removal or reinstallation labor fees of the plow system and related components.

Peripheral products such as engines, electric motors, and actuators may carry an original manufacturer's warranty. Most hardware is general in nature and is easily obtained locally. Be sure to replace with minimum metric class 8.8 specification.

Kolpin Outdoors, Inc.

Telephone: (763)-478-5800

Toll Free: (877)-956-5746

Fax Number: (800)-245-7569

www.kolpin.com

Email: customerservice@kolpin.com