



# WINCH MOUNT KIT

FOR HONDA PIONEER

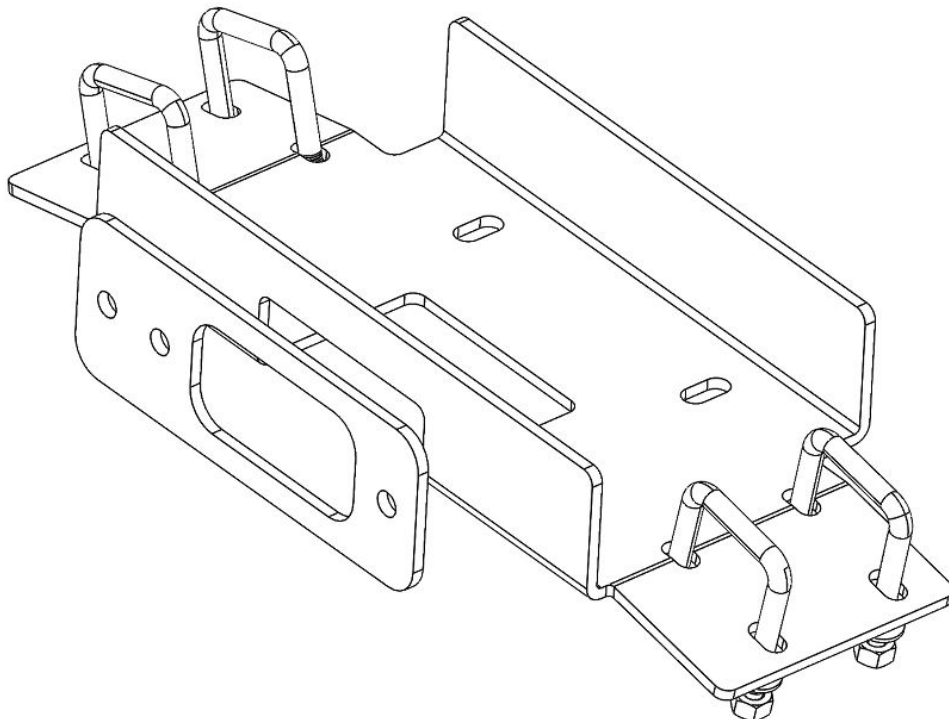
P/N 25-1260

ASSEMBLY / OWNERS MANUAL

Application

WINCH KIT NO. 25-9xxx

Before you begin, please read these instructions and check to be sure all parts and tools are accounted for. The following instructions contain details required to install and service the contents of this kit.



# OPERATING INSTRUCTIONS

Congratulations! You've just purchased the most durable accessory component in the industry. Our accessories work great all year round! With proper care and maintenance, your Kolpin accessory will last for years to come! Please read and understand all assembly instructions, notices and warnings before assembling and using your Kolpin accessory.

## Follow these guidelines to ensure a successful and satisfactory installation:

Read, understand this manual before beginning installation

Periodically check for wear and tightness of all fasteners.

Replace or re-torque fasteners as necessary.

## SAFETY & GENERAL PRODUCT INFORMATION

Kolpin accessories are designed with your safety in mind.

In order to protect you and your vehicle, certain parts of the accessory and/or hardware may be designed to collapse or break when the equipment is over-stressed.

Kolpin winch mount kits are designed to be compatible with Kolpin and Cycle Country winches along with many others, but may not be compatible with some winches. Kolpin winch mount kits have design features that benefit snow plow applications.



### **! DANGER ! ! WARNING ! ! CAUTION !**

#### **To avoid personal injury or damage to your vehicle:**

Read and understand all notices for:

Caution

Warning

Danger

Follow instructions for your vehicle, winch, winch mount and other items used in combination with this product.

Do not winch unsecured loads at any time.

Disconnect battery during winch installation or service to prevent electrical hazards.

Do not lift loads overhead.

Do not exceed the load capacity of the winch.

Always wear gloves when handling wire winch cable.

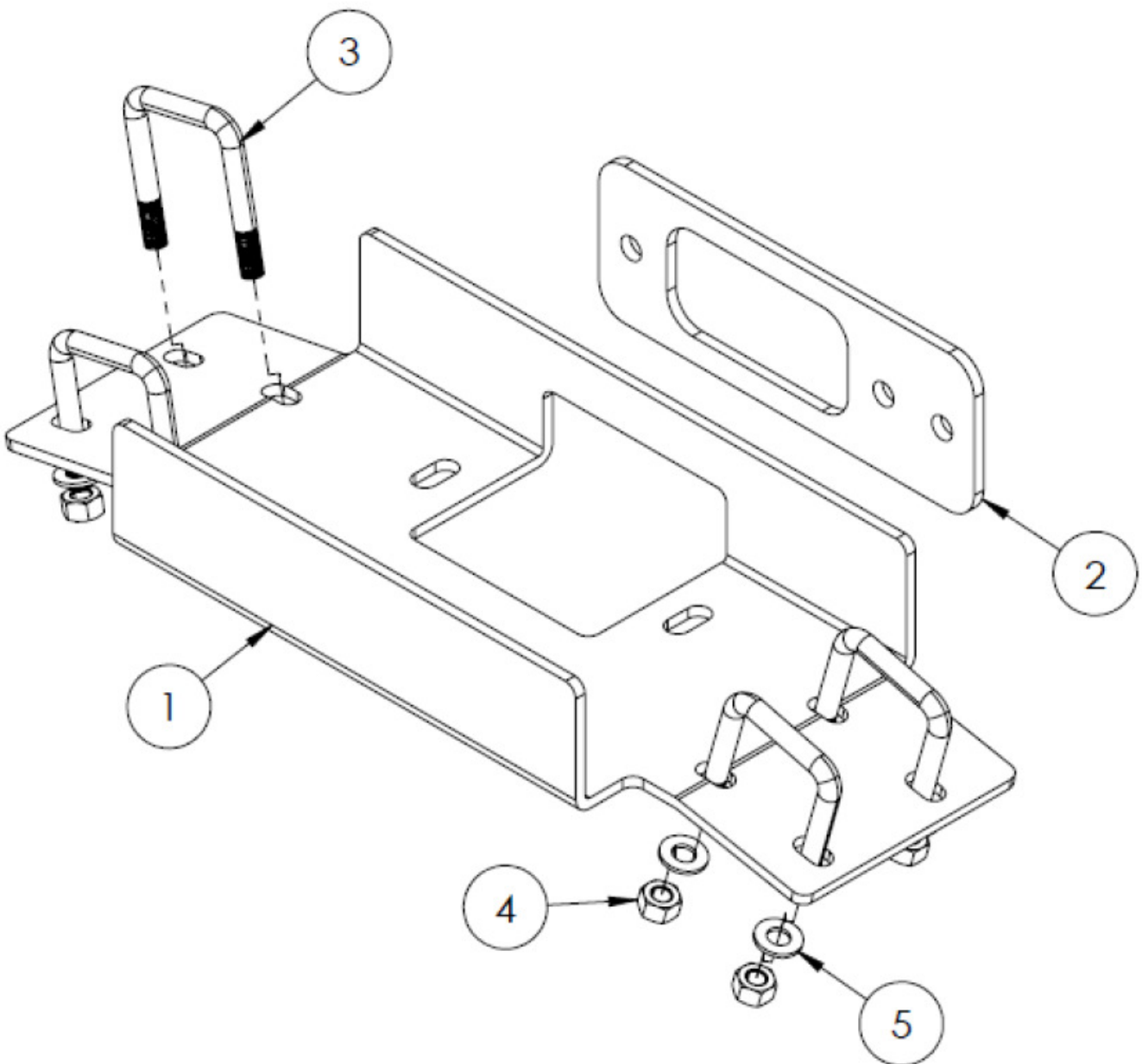
Do not use your winch or winch mount for towing.

Do not shock load the winch, cable or winch mount.

Keep fingers, hands and loose clothing away from roller fairlead and winch cable drum when in use.

## Kit Contents:

Item	Qty	Part Description	Part Number
1	1	Winch Mount Plate	-
2	1	Fairlead Adapter Plate	CYC6425
3	4	Square U-Bolts, Zinc Plated, M8-1.25 x 40mm x 65mm	-
4	8	Locknut, Zinc Plated, M8-1.25	-
5	8	Flat Washer, Zinc Plated, M8	-
6	1	Instruction Guide (not shown)	-



## BEFORE YOU BEGIN:

- Your Kolpin accessory is exclusively designed for your vehicle
- Please read and understand all instructions
- Verify all parts and tools are accounted for
- To ensure a satisfactory installation, follow all steps correctly and in the sequence described
- Keep these instructions for future reference or for informational requests
- To facilitate installation, make sure that your vehicle is clean and free of debris
- All directions referring to right and left are when the rider is sitting on the machine

## TOOLS REQUIRED:

- Basic Metric wrench and socket set
- Pliers
- 5mm hex allen key wrench or socket
- Do not use impact tools to install hardware

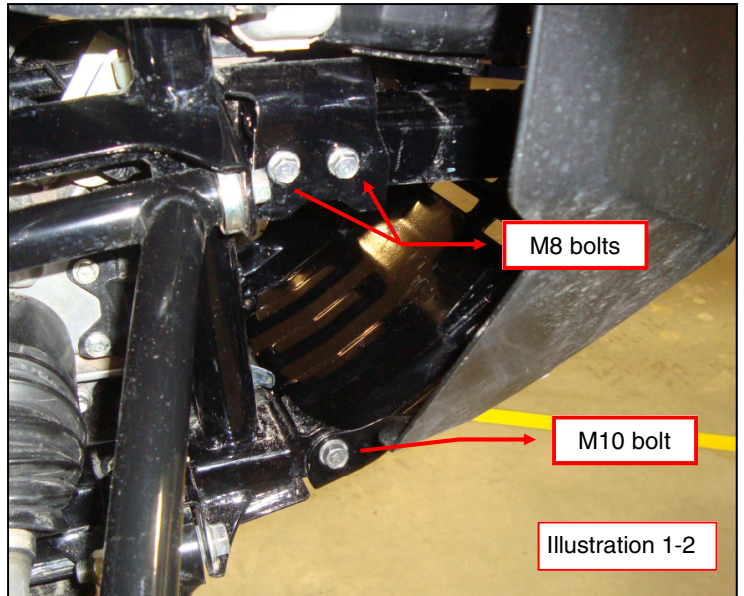
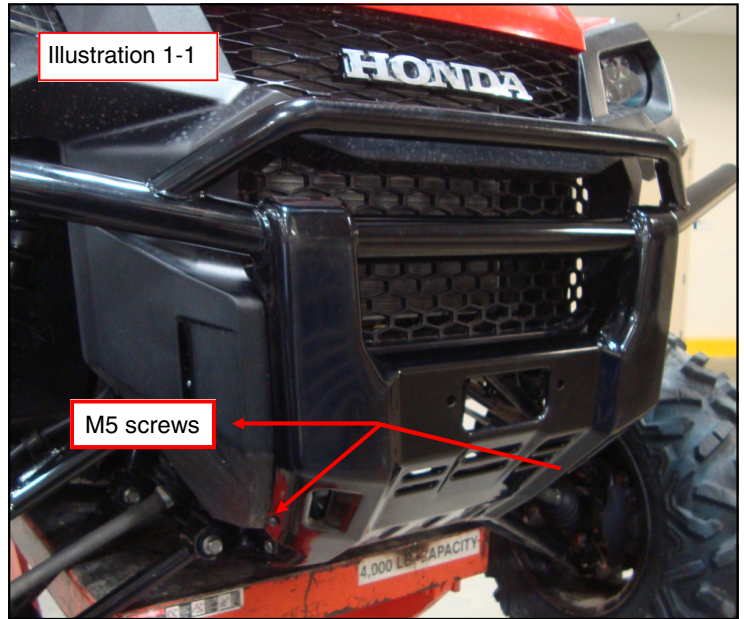
## APPROXIMATE ASSEMBLY TIME: 30 minutes

Note: If any hardware is missing, do not return to the store. Call us to help, Toll Free 1-877-956-5746.

<b>SPARE KITS</b>		<b>Hardware kit P/N CYC6476</b>
<b>Item</b>	<b>Description</b>	
2	Square U-Bolts, Zinc Plated, M8-1.25 x 40mm x 65mm	4x
3	Locknut, Zinc Plated, M8-1.25	8x
4	Flat Washer, Zinc Plated, M8	4x


**Installation Prep:**

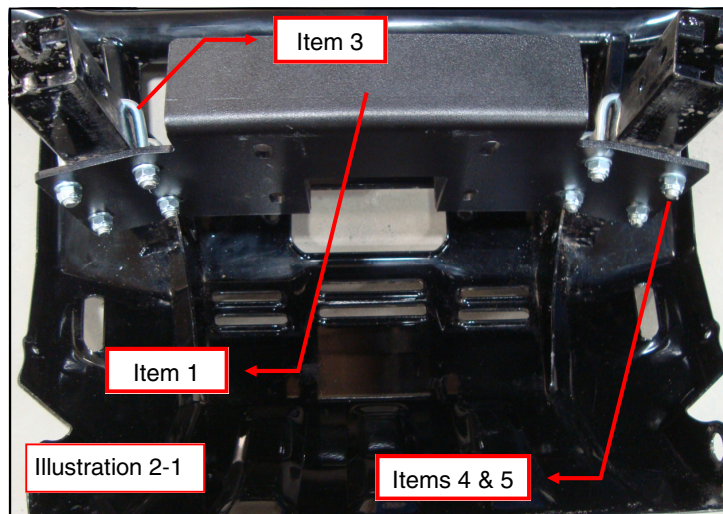
1. To gain access to install winch assembly, detach the front bumper from the vehicle. Remove the two M5 truss screws that secure plastic grille to bumper as shown. Remove the four M8 and two M10 bolts that secure bumper to frame as shown. Save all fasteners for re-install later. (See Illustrations 1-1 and 1-2).



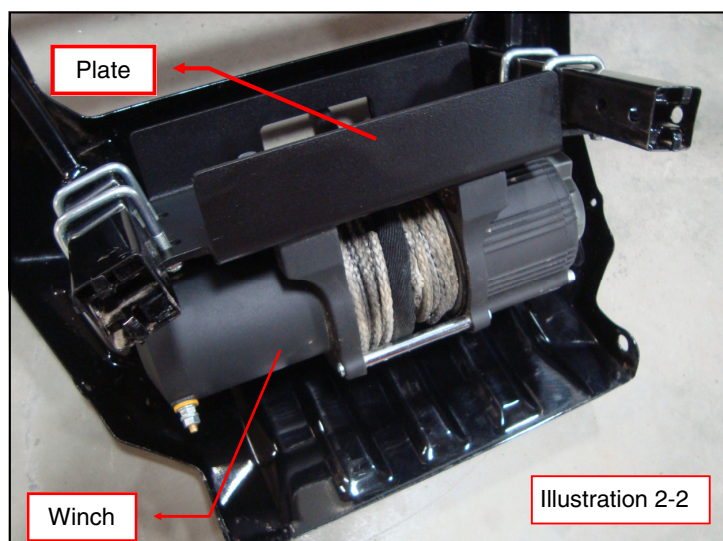
**Winch Assembly:**

1. Position the winch mount plate, item 1, into the front bumper as far forward as it will go. Install square u-bolts, item 3, over frame tube and fasten with M8 flat washers, item 5, and M8 nuts, item 4, as shown. Torque to specification. (See Illustration 2-1).

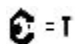
 = T
<b>8MM FASTENER TORQUE:</b> 17 ft. lbs. (23 Nm)

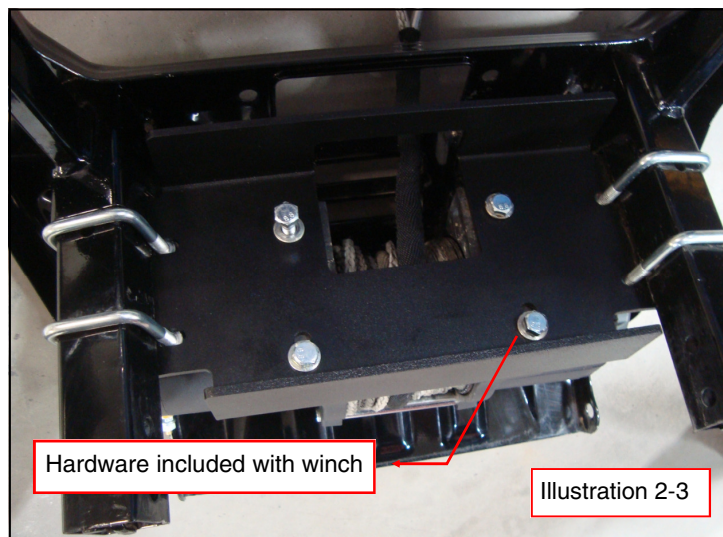


2. Position the winch in the front bumper assembly as shown. (See Illustration 2-2). **NOTE:** Winch is installed upside down and will function in this orientation.



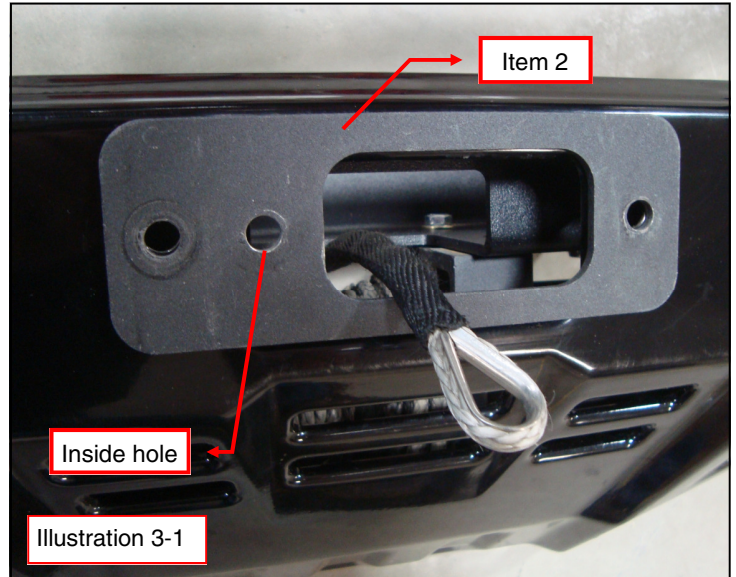
3. Fasten the winch to the winch mount plate using hardware included with winch. Tighten and torque winch fasteners to specification. (See Illustration 2-3).

 = T
<b>8MM FASTENER TORQUE:</b> 17 ft. lbs. (23 Nm)




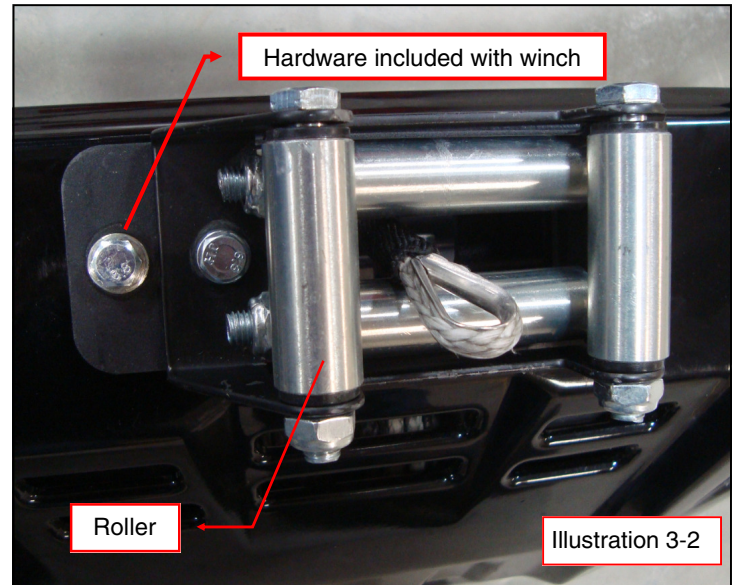
### Roller Fairlead Installation:

1. If installing a standard mount roller fairlead, use the inside hole of the fairlead adapter plate, item 2, to mount the roller fairlead. (See Illustration 3-1).
2. If installing a wide mount roller fairlead, the roller assembly will mount directly to vehicle bumper without using fairlead adapter plate, item 2.

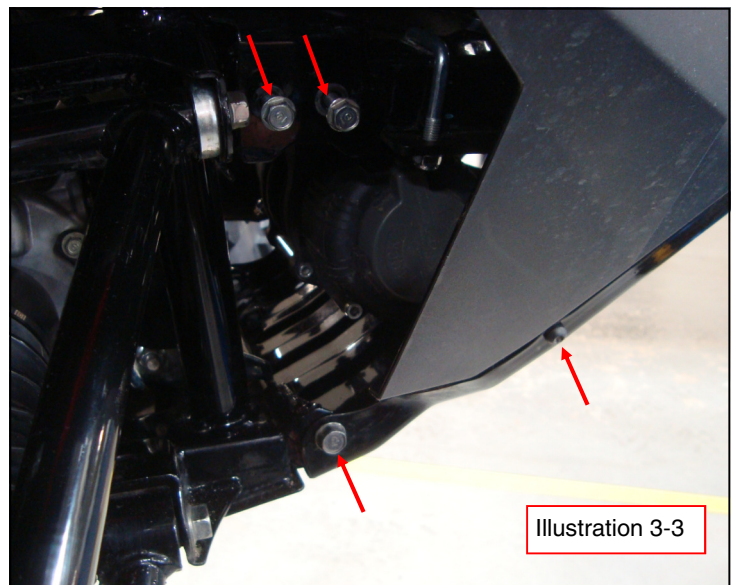


3. Using the hardware included with winch, fasten roller fairlead and the adapter plate to front bumper using bolts, washers and nuts. Tighten to specification. (See Illustration 3-2).

 = T
<b>8MM FASTENER TORQUE:</b> 17 ft. lbs. (23 Nm)

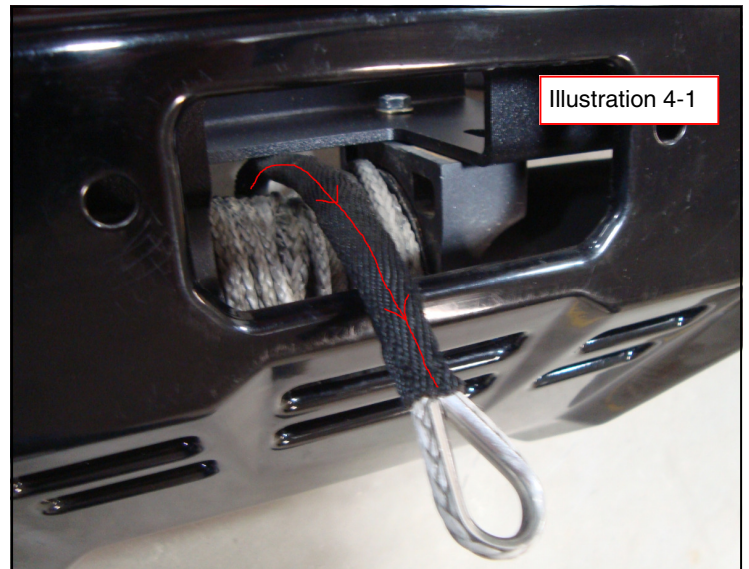


4. Re-install the bumper assembly to the vehicle following step 1 in reverse order as shown. (See Illustration 3-3).
5. Wire the winch according to your winch manufacturer's instructions.



**Winch Cable Wrap Installation on Spool Drum:**

1. The winch cable or rope should be wrapped around spool drum, feeding from top, as shown. Spooling the cable as shown will prolong cable life and enhance winch performance. (See Illustration 4-1).
2. Connect the hook to cable or rope by using hardware included in winch kit.







## **One Year Limited Warranty**

For the period of one (1) year from the purchase date, Kolpin will replace for the original purchaser, free of charge, any part or parts found upon examination by Kolpin to be defective in material, workmanship, or both.

All transportation costs incurred submitting product to Kolpin for warranty consideration must be borne by the purchaser. If Kolpin determines that the product must be returned to the factory for credit, please call 1-877-956-5746 for a Return Merchandise Authorization (RMA) number and shipping instructions.

This warranty does not apply to parts that have been damaged by accident, alteration, abuse, improper maintenance, normal wear, or other causes beyond the manufacturer's control. In order to protect you and your ATV, certain parts of the system and/or hardware are designed to fail when the equipment is over-stressed. Parts that are lost due to loosening and improper maintenance are not covered under warranty. This warranty does not cover removal or reinstallation labor fees of the plow system and related components.

Peripheral products such as engines, electric motors, and actuators may carry an original manufacturer's warranty. Most hardware is general in nature and is easily obtained locally. Be sure to replace with minimum metric class 8.8 specification.

**Kolpin Outdoors, Inc.**

**Telephone: (763)-478-5800**

**Toll Free: (877)-956-5746**

**Fax Number: (800)-245-7569**

**[www.kolpin.com](http://www.kolpin.com)**

**Email: [customerservice@kolpin.com](mailto:customerservice@kolpin.com)**