



# WINCH MOUNT KIT

FOR KAWASAKI TERYX 750/800, TERYX 4 750/800

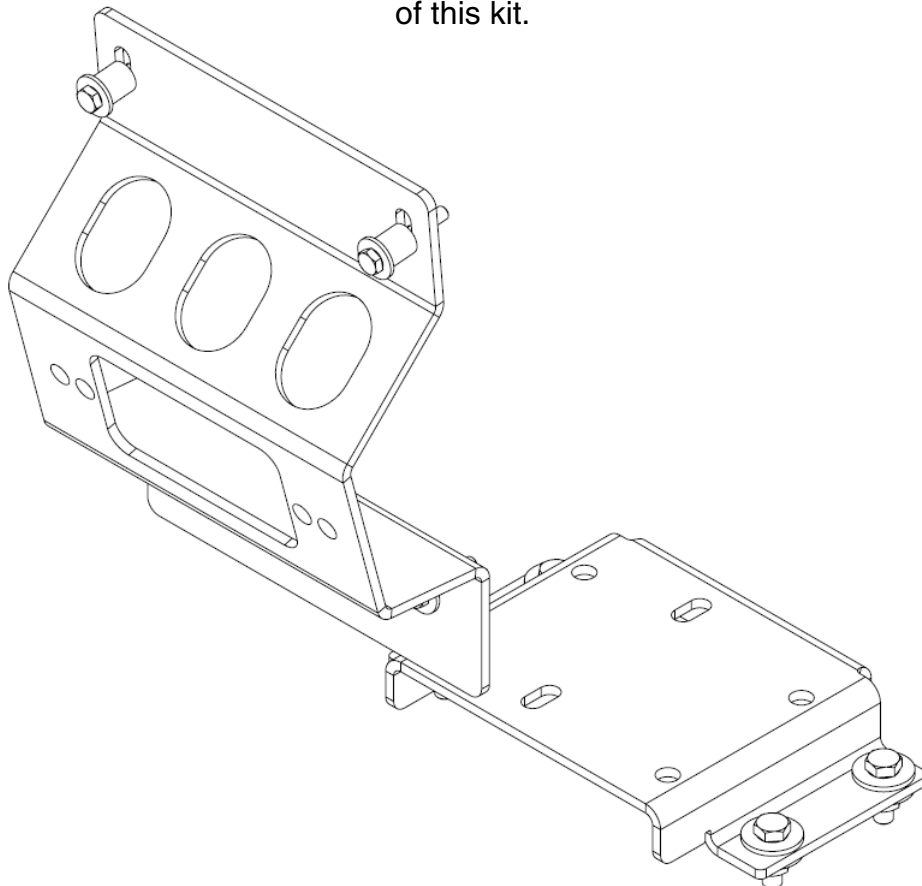
P/N 25-2320

## ASSEMBLY / OWNERS MANUAL

Application

WINCH KIT NO. 25-2320

Before you begin, please read these instructions and check to be sure all parts and tools are accounted for. The following instructions contain details required to install and service the contents of this kit.



Depending on model and year of Teryx, the kit may contain extra parts that is used for earlier models. Extra parts can be discarded.

# OPERATING INSTRUCTIONS

Congratulations! You've just purchased the most durable accessory component in the industry. Our accessories work great all year round! With proper care and maintenance, your Kolpin accessory will last for years to come! Please read and understand all assembly instructions, notices and warnings before assembling and using your Kolpin accessory.

## Follow these guidelines to ensure a successful and satisfactory installation:

Read, understand this manual before beginning installation

Periodically check for wear and tightness of all fasteners.

Replace or re-torque fasteners as necessary.

## SAFETY & GENERAL PRODUCT INFORMATION

Kolpin accessories are designed with your safety in mind.

In order to protect you and your vehicle, certain parts of the accessory and/or hardware may be designed to collapse or break when the equipment is over-stressed.

Kolpin winch mount kits are designed to be compatible with Kolpin and Cycle Country winches along with many others, but may not be compatible with some winches. Kolpin winch mount kits have design features that benefit snow plow applications.



### **! DANGER ! ! WARNING ! ! CAUTION !**

#### **To avoid personal injury or damage to your vehicle:**

Read and understand all notices for:

Caution

Warning

Danger

Follow instructions for your vehicle, winch, winch mount and other items used in combination with this product.

Do not winch unsecured loads at any time.

Disconnect battery during winch installation or service to prevent electrical hazards.

Do not lift loads overhead.

Do not exceed the load capacity of the winch.

Always wear gloves when handling wire winch cable.

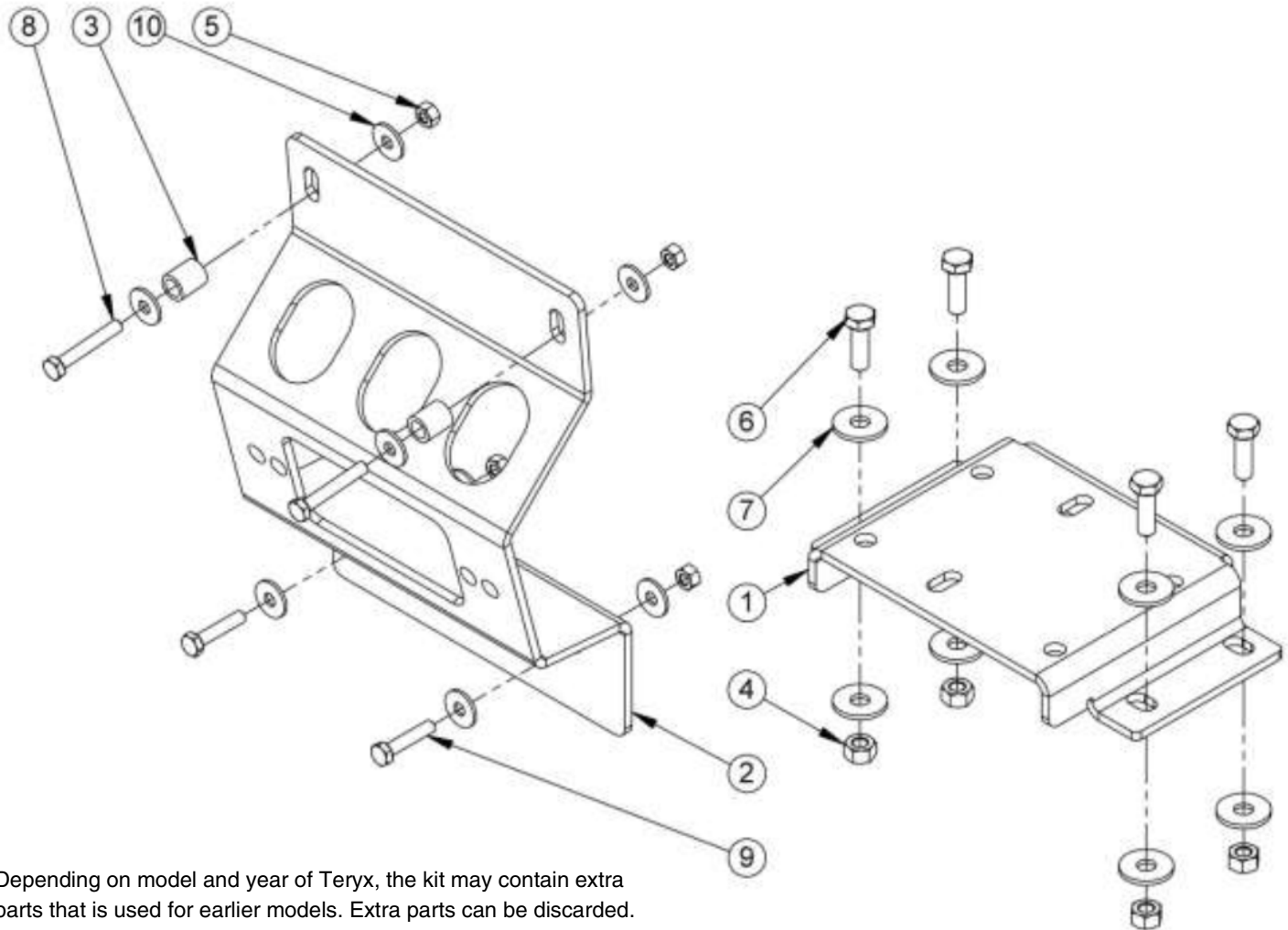
Do not use your winch or winch mount for towing.

Do not shock load the winch, cable or winch mount.

Keep fingers, hands and loose clothing away from roller fairlead and winch cable drum when in use.

## Kit Contents:

| Item | Qty | Part Description                                | Part Number |
|------|-----|---|-------------|
| 1    | 1   | Winch Bracket                                   | -           |
| 2    | 1   | Fairlead Adapter Bracket                        | -           |
| 3    | 2   | 5/8" U-Clamp Tube Spacer                        | CYC4507     |
| 4    | 4   | Lock Nut, Zinc Plated, M8-1.25                  | PUR3068     |
| 5    | 4   | Lock Nut, Zinc Plated, M6-1.0                   | -           |
| 6    | 4   | Flange Hex Bolt, Zinc Plated, M8-1.25 x 25mm LG | -           |
| 7    | 8   | Flat Washer, Zinc Plated, M8                    | -           |
| 8    | 2   | Flange Hex Bolt, Zinc Plated, M6-1.0 x 40mm LG  | PUR3006     |
| 9    | 2   | Flange Hex Bolt, Zinc Plated, M6-1.0 x 30mm LG  | -           |
| 10   | 8   | Flat Washer, Zinc Plated, M6                    | PUR3086     |
| 11   | 1   | Instruction Guide (not shown)                   | -           |



Depending on model and year of Teryx, the kit may contain extra parts that is used for earlier models. Extra parts can be discarded.

## BEFORE YOU BEGIN:

- Your Kolpin accessory is exclusively designed for your vehicle
- Please read and understand all instructions
- Verify all parts and tools are accounted for
- To ensure a satisfactory installation, follow all steps correctly and in the sequence described
- Keep these instructions for future reference or for informational requests
- To facilitate installation, make sure that your vehicle is clean and free of debris
- All directions referring to right and left are when the rider is sitting on the machine

## TOOLS REQUIRED:

- Basic Metric wrench and socket set
- Pliers
- Do not use impact tools to install hardware

## APPROXIMATE ASSEMBLY TIME: 15 minutes

Note: Additional time may be required to accommodate other installed accessories.

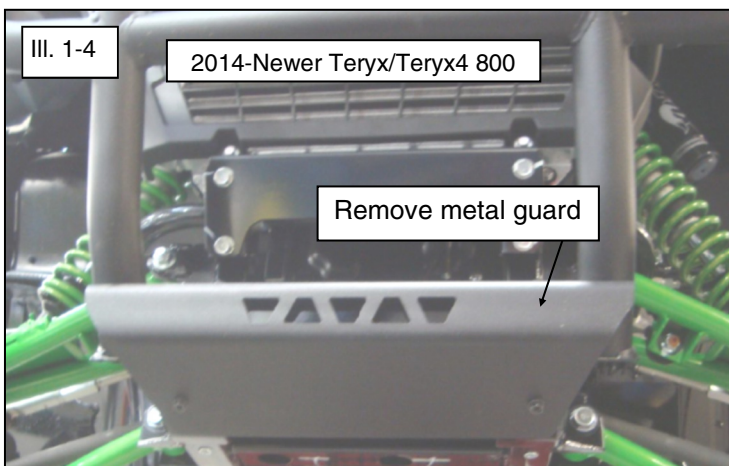
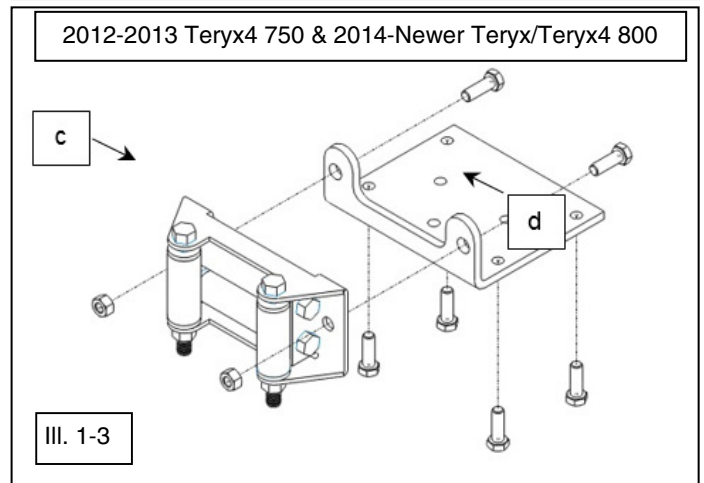
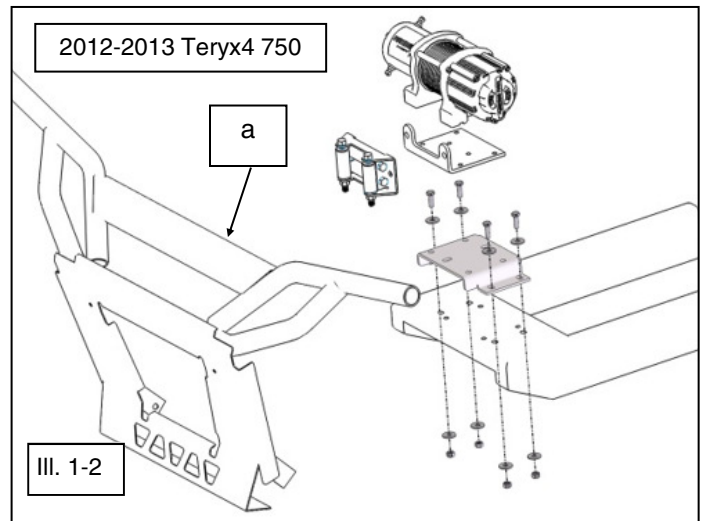
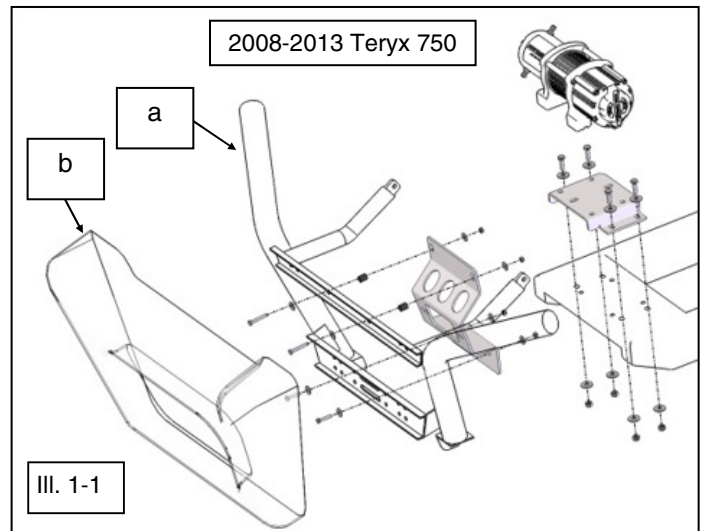
Note: If any hardware is missing, do not return to the store. Call us to help, Toll Free 1-877-956-5746.

| <b>SPARE KITS</b> |   | <b>Hardware kit<br/>P/N CYC6292</b> |
|-------------------|---|-------------------------------------|
| <b>Item</b>       | <b>Description</b>                              |                                     |
| 4                 | Lock Nut, Zinc Plated, M8-1.25                  | 4x                                  |
| 5                 | Lock Nut, Zinc Plated, M6-1.0                   | 4x                                  |
| 6                 | Flange Hex Bolt, Zinc Plated, M8-1.25 x 25mm LG | 4x                                  |
| 7                 | Flat Washer, Zinc Plated, M8                    | 8x                                  |
| 8                 | Flange Hex Bolt, Zinc Plated, M6-1.0 x 40mm LG  | 2x                                  |
| 9                 | Flange Hex Bolt, Zinc Plated, M6-1.0 x 30mm LG  | 2x                                  |
| 10                | Flat Washer, Zinc Plated, M6                    | 8x                                  |

Depending on model and year of Teryx, the kit may contain extra parts that is used for earlier models. Extra parts can be discarded.


### Installation Prep:

1. Shift vehicle transmission into NUETRAL and set the parking brake. Turn ignition key to OFF position and remove from ignition switch.
2. For Teryx 750: Remove driver's seat bottom. Disconnect black negative (-) cable first, and then the red positive (+) cable secondly from battery. **Note, be sure to disconnect the negative (-) cable first.**
3. For Teryx 800: The battery is located in back of radiator (2014-2015 model years open the front hood for access). Disconnect black negative (-) cable first, and then the red positive (+) cable secondly from battery. **Note, be sure to disconnect the negative (-) cable first.**
4. Some installs may require the complete removal of the front bumper (a) and/or plastic guard (b). Some may not need any disassembly of existing parts. (See illustrations 1-1, 1-2, 1-4).
5. 2008-2013 Teryx 750 will require all of the parts included in this kit as shown. (See illustration 1-1).
6. 2012-2013 Teryx4 750 will require some of the parts included in this kit, along with parts included in the winch kit sold separately. (See illustration 1-2).
7. Parts from your winch kit will be required to install on 2012-2013 Teryx4 750 and 2014-newer Teryx/Teryx4 800. ( See illustration 1-3).
8. Some parts will be needed to be used from the winch kit. ( See illustration 1-3).
  - Roller Fairlead (c)
  - Winch Mount Plate (d) (**2012-2013 Teryx4 750 and 2014-newer Teryx/Teryx4 800 only**)
  - Related fasteners
  - Pre-assembly the roller fairlead to the mount plate prior to winch assembly




**2008-2013 Teryx 750 Winch Mount Installation:**

9. Mount the winch to the winch mount plate (item #1) using the hardware provided with your winch. (See illustration 1-5).
10. Install the mount plate (item #1) to the frame using four M8-1.25 x 25mm LG bolts (item 6), eight M8 Flat Washers (item 7), and four M8-1.25 Lock Nuts (item 4). (See illustration 1-5).
11. Tighten M8 fasteners to specification.


|   |
|---|
|  = T |
| <b>8MM FASTENER TORQUE:</b><br>17 ft. lbs. (23 Nm)                                    |

12. Assemble the Roller Fairlead Bracket (item #2), using the longer M6 Bolts (item #8), four M6 Flat Washers (item #10), two Spacers (item #3), and two M6 lock nuts (Item #5) to the upper part of the front bumper. Then install the shorter M6 bolts (item #9), four M6 Flat Washers (item #10) and two M6 lock nuts (item #5) to the lower part of the Bracket (item #2) and bumper as shown. (See illustration 1-6).

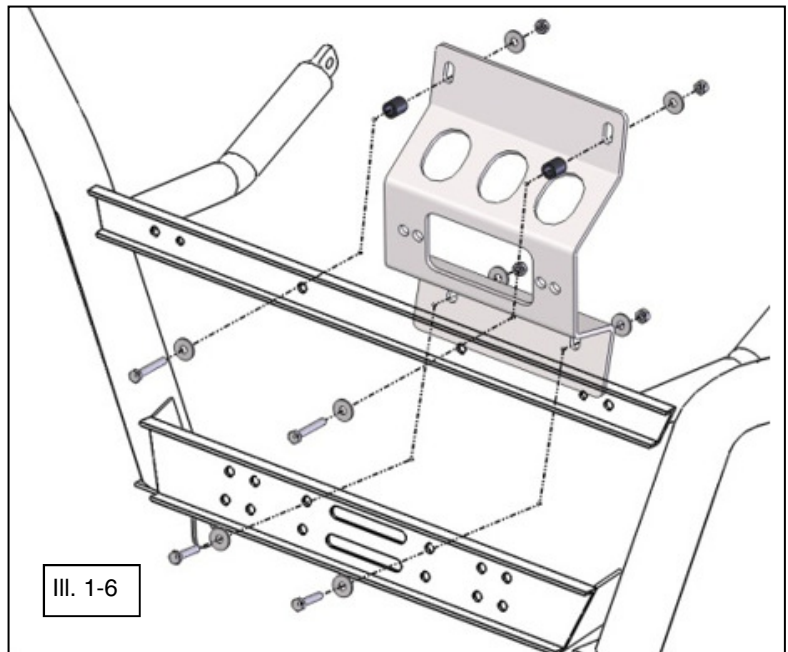
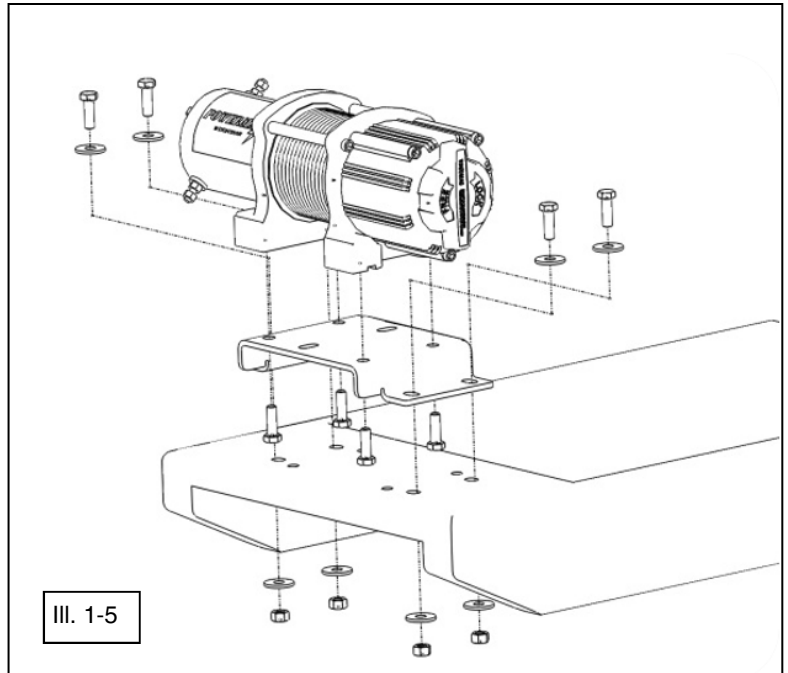
13. Tighten M6 fasteners to specification.

|  |
|--|
|  = T |
| <b>6MM FASTENER TORQUE:</b><br>10 ft. lbs. (11 Nm)                                     |

14. Install the Roller Fairlead (included with the winch kit) to the Roller Fairlead Bracket (item #2), using the hardware included with the winch kit.
15. Tighten all M8 fasteners to specification.

|   |
|---|
|  = T |
| <b>8MM FASTENER TORQUE:</b><br>17 ft. lbs. (23 Nm)                                      |


16. Re-install the front bumper assembly to the vehicle.
17. Re-install the OEM plastic front bumper cover.

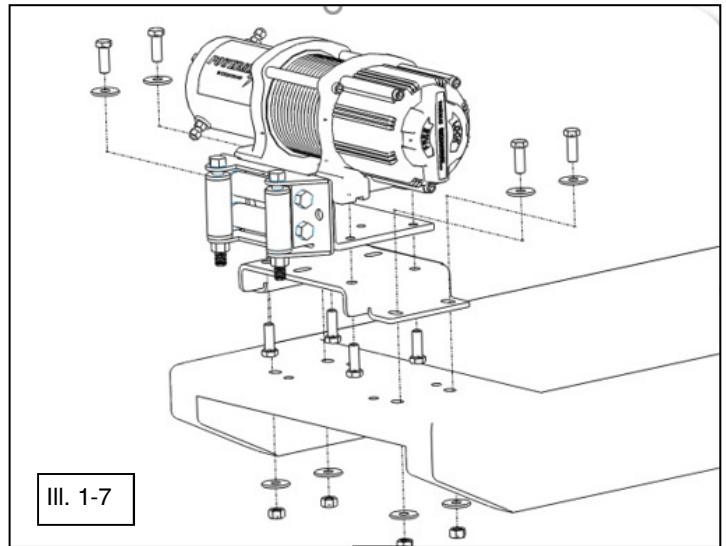




**2012-2013 Teryx4 750 and 2014-Newer Teryx/Teryx4 800  
Winch Mount Installation:**


18. Mount the winch and roller fairlead plate included with the winch kit (see illustration 1-3, 1-7) to the winch mount plate (item #1) using hardware included with the winch kit. **Note, for 2014-Newer Teryx/Teryx4 800 the front bumper doesn't require removal, only the metal guard shown in illustration 1-4 requires removal.**

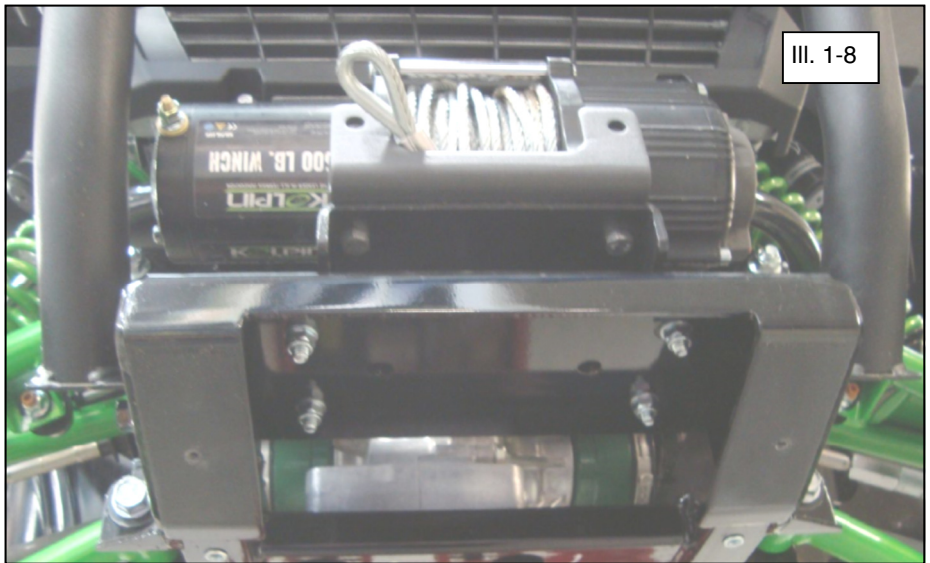
|   |
|---|
|  = T |
| <b>8MM FASTENER TORQUE:</b><br>17 ft. lbs. (23 Nm)                                    |



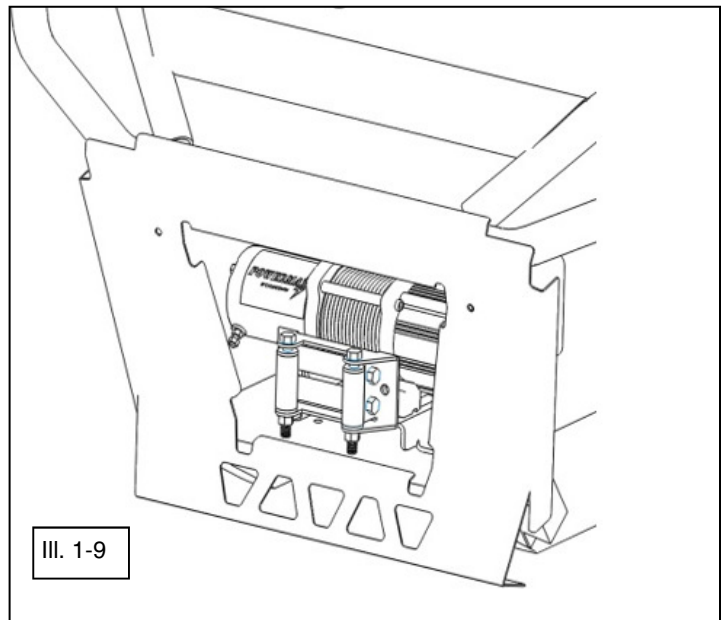
19. Install the mount plate (item #1) to the frame using four M8-1.25 x 25mm LG bolts (item #6), eight M8 Flat Washers (item #7), and four M8-1.25 Lock Nuts (item #4). (See illustrations 1-7, 1-8).

20. Tighten all M8 fasteners to specification.

|   |
|---|
|  = T |
| <b>8MM FASTENER TORQUE:</b><br>17 ft. lbs. (23 Nm)                                    |



21. For 2012-2013 Teryx4 750, re-install the Teryx4 front bumper. (See illustration 1-9).

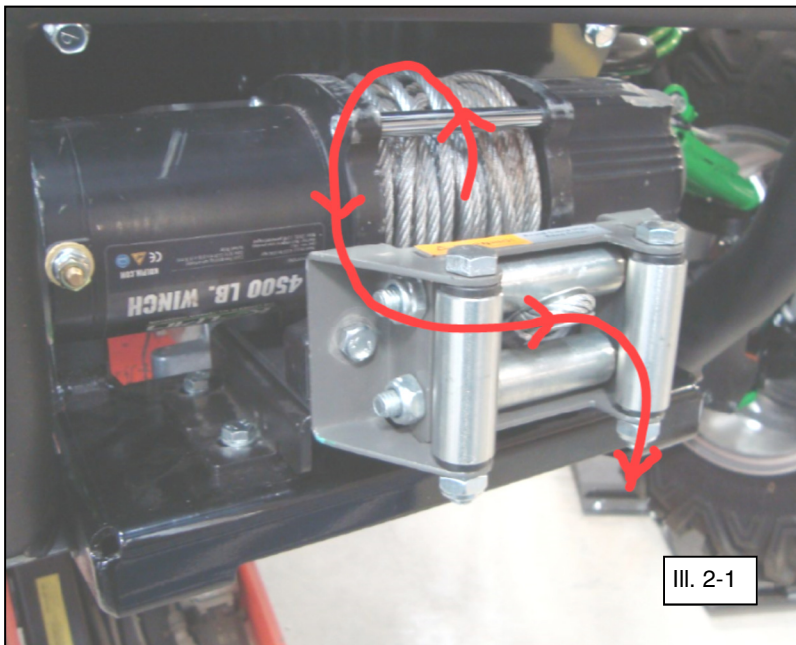


**Winch Cable Wrap Installation on Spool Drum:**

- 22. The winch cable or rope should be wrapped around the spool drum as shown. Spooling the cable as shown will prolong cable life and enhance winch performance. (See illustration 2-1).
- 23. Connect the hook to cable or rope by using hardware included in winch kit.

**Winch Wiring and Connections:**

- 24. Using the winch kit instructions, route and connect the electrical cables and components for the winch system.
- 25. Secure all harnesses using cable ties (provided with winch kit) to prevent contact with hot components, sharp edges or moving parts.
- 26. Reconnect black negative (-) cable to battery first, then reconnect the red positive (+) cable to the battery last. For applicable models, restore drivers' seat bottom or hood.
- 27. With the vehicle key in the ON position, check winch for proper operation.
- 28. Retighten all hardware after 30 minutes of riding.







## One Year Limited Warranty

For the period of one (1) year from the purchase date, Kolpin will replace for the original purchaser, free of charge, any part or parts found upon examination by Kolpin to be defective in material, workmanship, or both.

All transportation costs incurred submitting product to Kolpin for warranty consideration must be borne by the purchaser. If Kolpin determines that the product must be returned to the factory for credit, please call 1-877-956-5746 for a Return Merchandise Authorization (RMA) number and shipping instructions.

This warranty does not apply to parts that have been damaged by accident, alteration, abuse, improper maintenance, normal wear, or other causes beyond the manufacturer's control. In order to protect you and your ATV, certain parts of the accessory system and/or hardware are designed to fail when the equipment is over-stressed. Parts that are lost due to loosening and improper maintenance are not covered under warranty. This warranty does not cover removal or reinstallation labor fees of the plow system and related components.

Peripheral products such as engines, electric motors, and actuators may carry an original manufacturer's warranty. Most hardware is general in nature and is easily obtained locally. Be sure to replace with minimum metric class 8.8 specification.

**Kolpin Outdoors, Inc.**

**Telephone: (763)-478-5800**

**Toll Free: (877)-956-5746**

**Fax Number: (800)-245-7569**

**[www.kolpin.com](http://www.kolpin.com)**

**Email: [customerservice@kolpin.com](mailto:customerservice@kolpin.com)**