



# WINCH MOUNT KIT

FOR SPORTSMAN / ACE

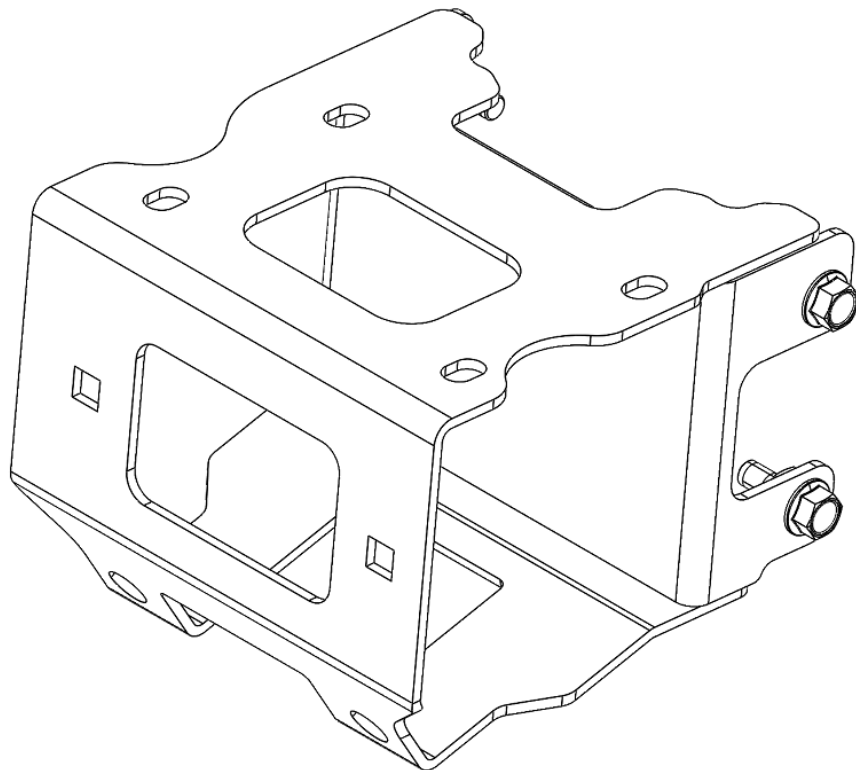
P/N 25-3350

ASSEMBLY / OWNERS MANUAL

Application

WINCH KIT NO. 25-9xxx

Before you begin, please read these instructions and check to be sure all parts and tools are accounted for. The following instructions contain details required to install and service the contents of this kit.



# OPERATING INSTRUCTIONS

Congratulations! You've just purchased the most durable accessory component in the industry. Our accessories work great all year round! With proper care and maintenance, your Kolpin accessory will last for years to come! Please read and understand all assembly instructions, notices and warnings before assembling and using your Kolpin accessory.

## Follow these guidelines to ensure a successful and satisfactory installation:

Read, understand this manual before beginning installation

Periodically check for wear and tightness of all fasteners.

Replace or re-torque fasteners as necessary.

## SAFETY & GENERAL PRODUCT INFORMATION

Kolpin accessories are designed with your safety in mind.

In order to protect you and your vehicle, certain parts of the accessory and/or hardware may be designed to collapse or break when the equipment is over-stressed.

Kolpin winch mount kits are designed to be compatible with Kolpin and Cycle Country winches along with many others, but may not be compatible with some winches. Kolpin winch mount kits have design features that benefit snow plow applications.



### **! DANGER ! ! WARNING ! ! CAUTION !**

#### **To avoid personal injury or damage to your vehicle:**

Read and understand all notices for:

Caution

Warning

Danger

Follow instructions for your vehicle, winch, winch mount and other items used in combination with this product.

Do not winch unsecured loads at any time.

Disconnect battery during winch installation or service to prevent electrical hazards.

Do not lift loads overhead.

Do not exceed the load capacity of the winch.

Always wear gloves when handling wire winch cable.

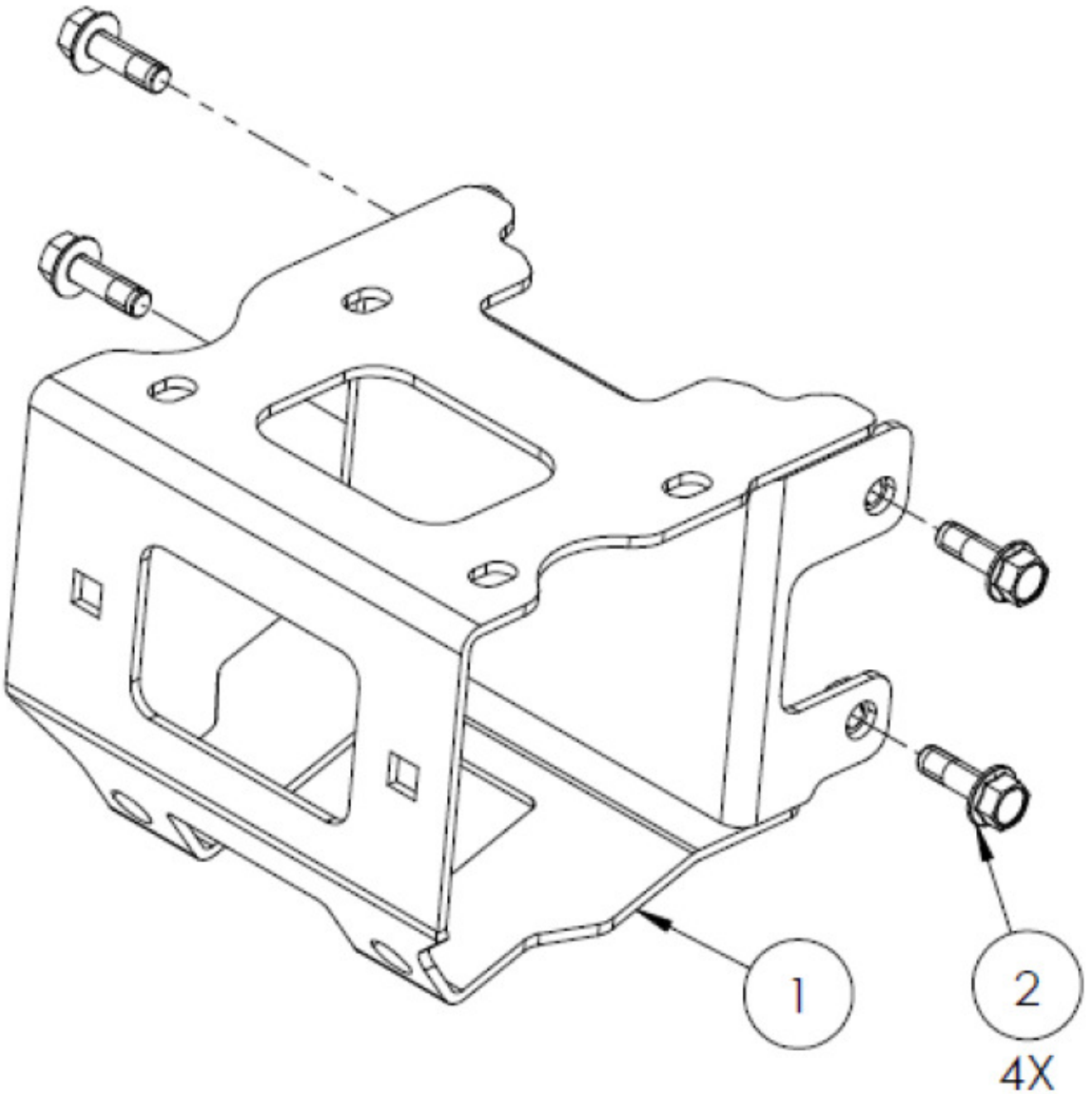
Do not use your winch or winch mount for towing.

Do not shock load the winch, cable or winch mount.

Keep fingers, hands and loose clothing away from roller fairlead and winch cable drum when in use.

### Kit Contents:

Item	Qty	Part Description	Part Number
1	1	Weld-Winch Brkt, ATV	-
2	4	Hex Flange Bolts, Zinc Plated, M8-1.25 x 25mm LG	-
3	1	Instruction Guide (not shown)	-



## BEFORE YOU BEGIN:

- Your Kolpin accessory is exclusively designed for your vehicle
- Please read and understand all instructions
- Verify all parts and tools are accounted for
- To ensure a satisfactory installation, follow all steps correctly and in the sequence described
- Keep these instructions for future reference or for informational requests
- To facilitate installation, make sure that your vehicle is clean and free of debris
- All directions referring to right and left are when the rider is sitting on the machine

## TOOLS REQUIRED:

- 13mm Socket
- T27 Torx (Sportsman)
- T40 Torx (ACE)
- Do not use impact tools to install hardware

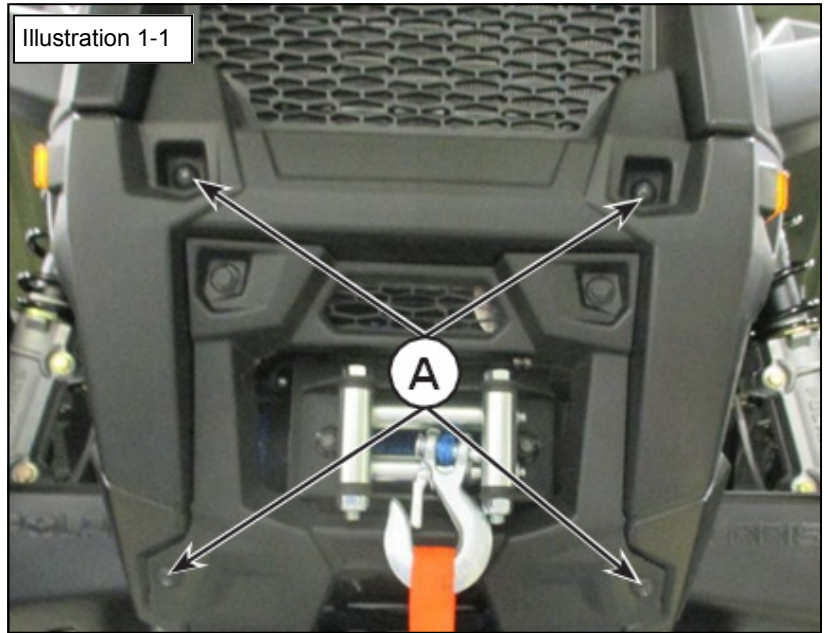
## APPROXIMATE ASSEMBLY TIME: 15 minutes

Note: If any hardware is missing, do not return to the store. Call us to help, Toll Free 1-877-956-5746.

<b>SPARE KITS</b>		<b>No Spares Available</b>
<b>Item</b>	<b>Description</b>	
-	-	-

**Sportsman Installation Prep:**

1. To begin, remove front grille guard from vehicle by removing four bolts (A) as shown. (See Illustration 1-1). **Note, OEM hardware will be needed to reinstall front grille guard.**



2. Remove center winch fairlead cover from front grille guard. Cut out center section as shown and reinstall this on the front grille guard. (See Illustration 1-2).



### ACE Installation Prep:

1. To begin, remove front grille guard from vehicle by removing four bolts as shown. (See Illustration 1-3). **Note, OEM hardware will be needed to reinstall front grille guard.**

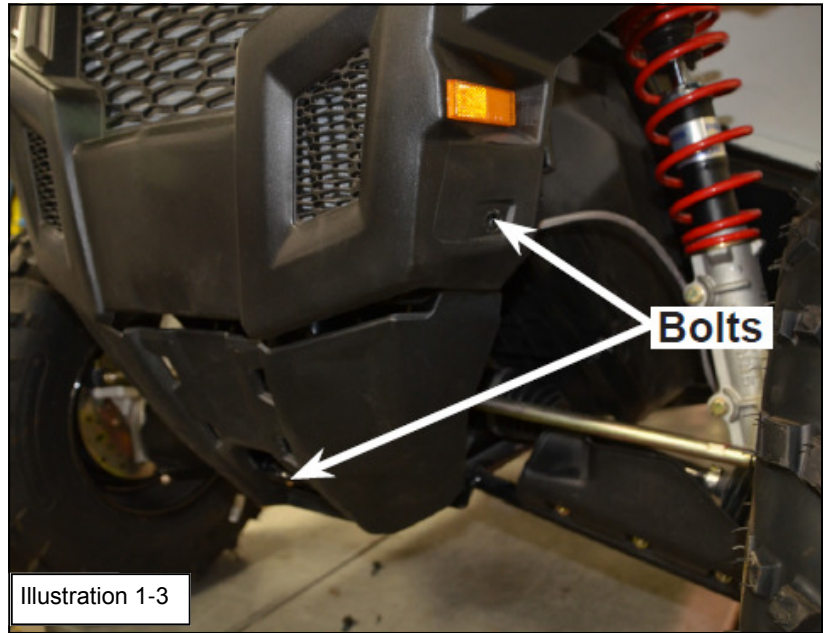


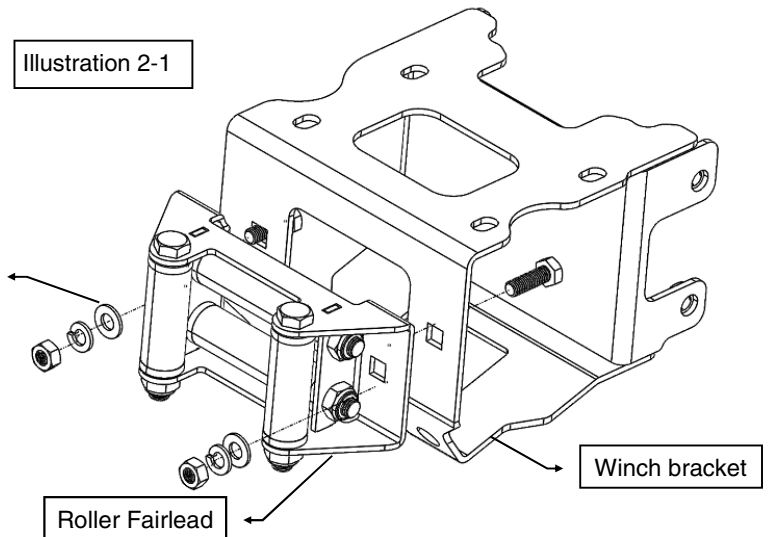
Illustration 1-3

### Roller Fairlead Mount:

1. Install the roller fairlead to the winch mounting bracket as shown. Use the hardware included in the winch kit for this step. Tighten to specification.

(See Illustration 2-1).

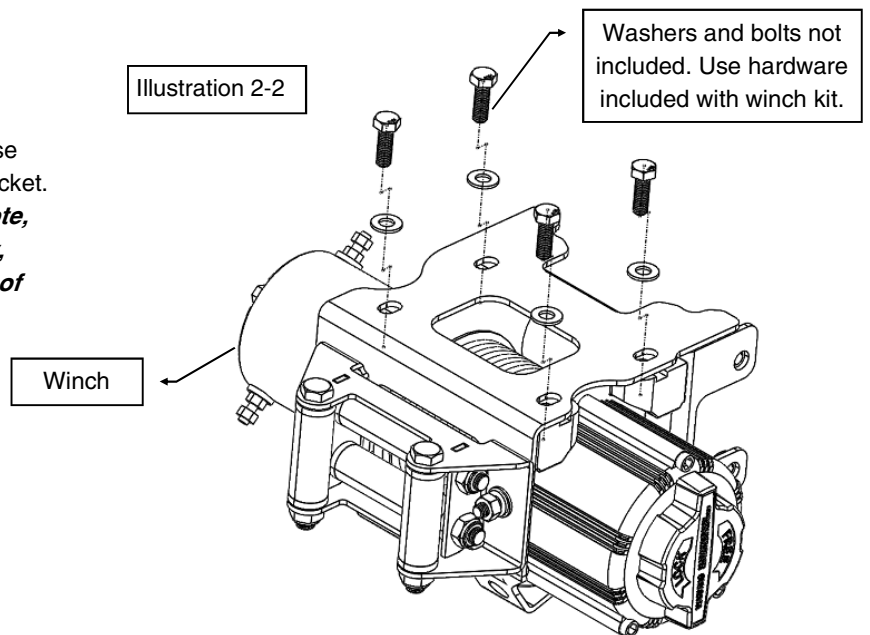
Nuts, washers and bolts not included. Use hardware included with winch kit.



### Install Winch to Mount:

1. Mount the winch to the mount plate as shown. Use hardware supplied with winch kit to secure to bracket. Tighten to specification. (See Illustration 2-2). **Note, for 2014 & newer SPMN 570 installations only, please see next page for special instructions of positioning winch inside winch mount.**

Washers and bolts not included. Use hardware included with winch kit.




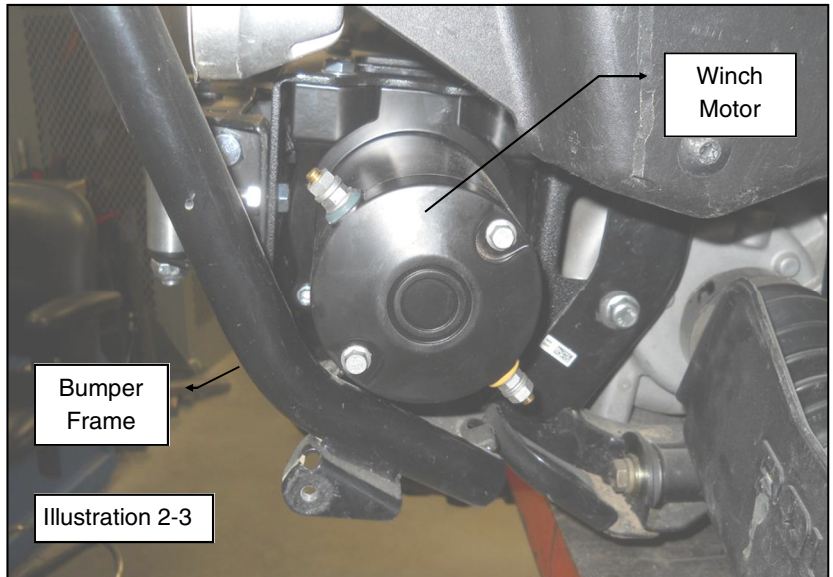
**8MM FASTENER TORQUE:**  
17 ft. lbs. (23 Nm)



**2014 SPMN 570 Install Winch to Mount:**


1. For 2014 Sportsman 570 models: To gain clearance access for installation of wiring, the winch motor should be located on the left side of the vehicle as shown. The winch motor electric terminal studs will clear the bumper frame. Position the winch inside the winch mount opposite as previously shown in illustration 2-2. Use hardware supplied with winch kit to secure to bracket. Tighten to specification. (See Illustration 2-3).

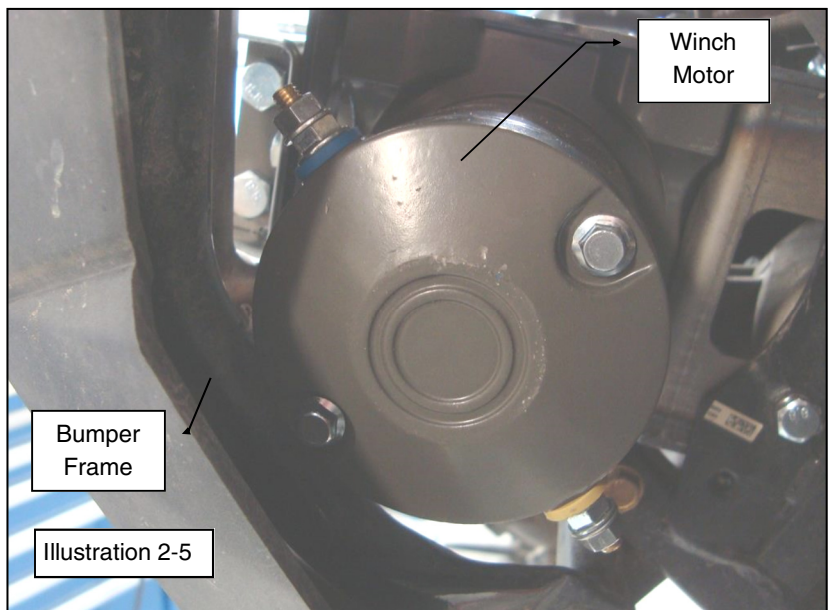
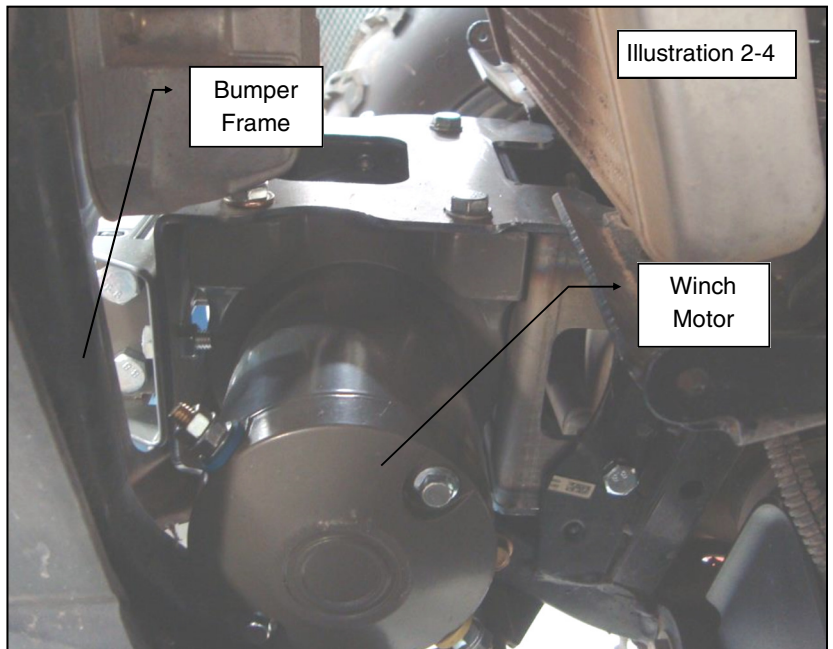
 = T
<b>8MM FASTENER TORQUE:</b> 17 ft. lbs. (23 Nm)



**2015 & Newer SPMN 570 Install Winch to Mount:**

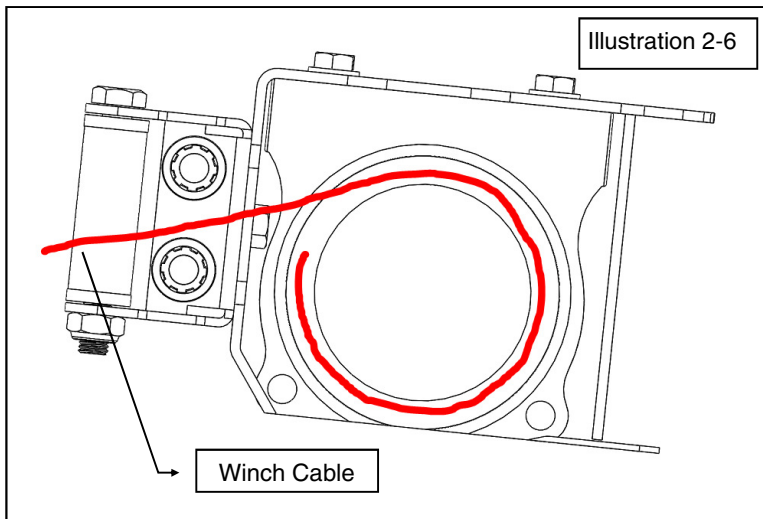
1. For 2015 & newer Sportsman 570 models: To gain clearance access for installation of wiring, the winch motor should be located on the left side of the vehicle as shown. The winch motor electric terminal studs will clear the bumper frame. Position the winch inside the winch mount opposite as previously shown in illustration 2-2. Use hardware supplied with winch kit to secure to bracket. Tighten to specification. (See Illustrations 2-4 and 2-5).

 = T
<b>8MM FASTENER TORQUE:</b> 17 ft. lbs. (23 Nm)



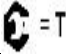
**Winch Cable Wrap on Spool Drum:**

1. The winch cable or rope should be wrapped around spool drum as shown. Spooling the cable as shown will prolong cable life and enhance winch performance. (See Illustration 2-6).

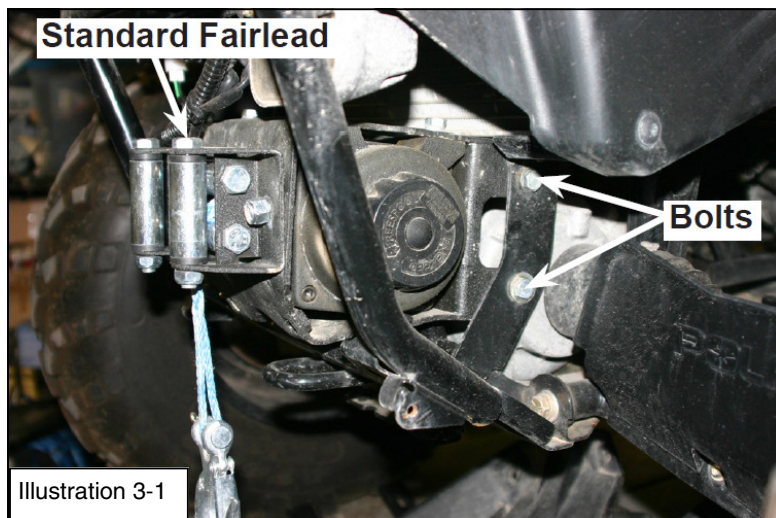


**Winch Installation:**

1. Install the winch mount assembly into the vehicle as shown. Use the hardware included in the mount kit for this step. Tighten to specification.  
(See Illustration 3-1).

 = T
<b>8MM FASTENER TORQUE:</b> 17 ft-lbs. (23 N-m)

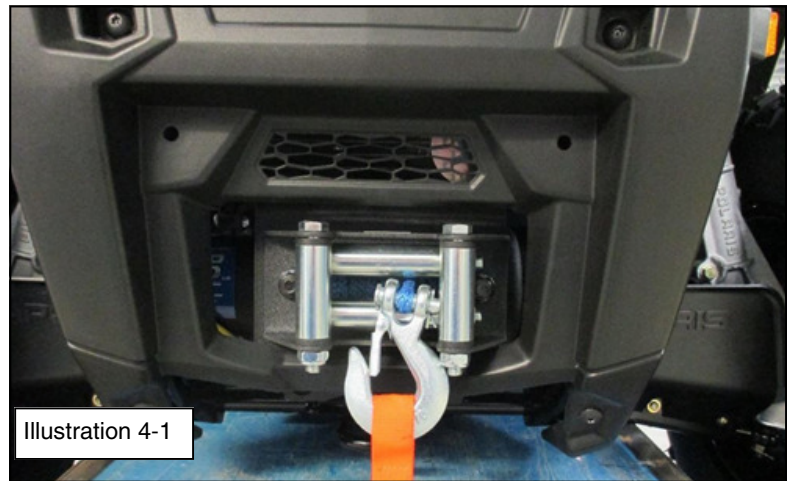
2. Connect the hook to cable or rope by using hardware included in winch kit.





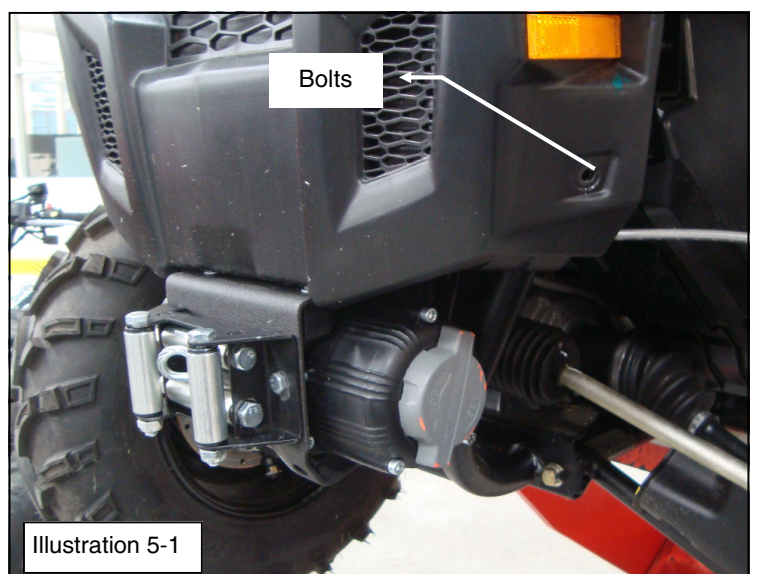
### Sportsman Final Installation:

1. Reinstall lower grille and face plate using the OEM hardware. (See Illustrations 4-1 and 4-2).



### ACE Final Installation:

1. Reinstall lower OEM hardware in the locations (C) shown on each side of vehicle. (See Illustrations 5-1).  
**Note, front grille lower guard will not be reinstalled.**





## One Year Limited Warranty

For the period of one (1) year from the purchase date, Kolpin will replace for the original purchaser, free of charge, any part or parts found upon examination by Kolpin to be defective in material, workmanship, or both.

All transportation costs incurred submitting product to Kolpin for warranty consideration must be borne by the purchaser. If Kolpin determines that the product must be returned to the factory for credit, please call 1-877-956-5746 for a Return Merchandise Authorization (RMA) number and shipping instructions.

This warranty does not apply to parts that have been damaged by accident, alteration, abuse, improper maintenance, normal wear, or other causes beyond the manufacturer's control. In order to protect you and your ATV, certain parts of the plow system and/or hardware are designed to fail when the equipment is over-stressed. Parts that are lost due to loosening and improper maintenance are not covered under warranty. This warranty does not cover removal or reinstallation labor fees of the plow system and related components.

Peripheral products such as engines, electric motors, and actuators may carry an original manufacturer's warranty. Most hardware is general in nature and is easily obtained locally. Be sure to replace with minimum metric class 8.8 specification.

**Kolpin Outdoors, Inc.**

**Telephone: (763)-478-5800**

**Toll Free: (877)-956-5746**

**Fax Number: (800)-245-7569**

**[www.kolpin.com](http://www.kolpin.com)**

**Email: [customerservice@kolpin.com](mailto:customerservice@kolpin.com)**