



WINCH MOUNT KIT

FOR POLARIS RANGER

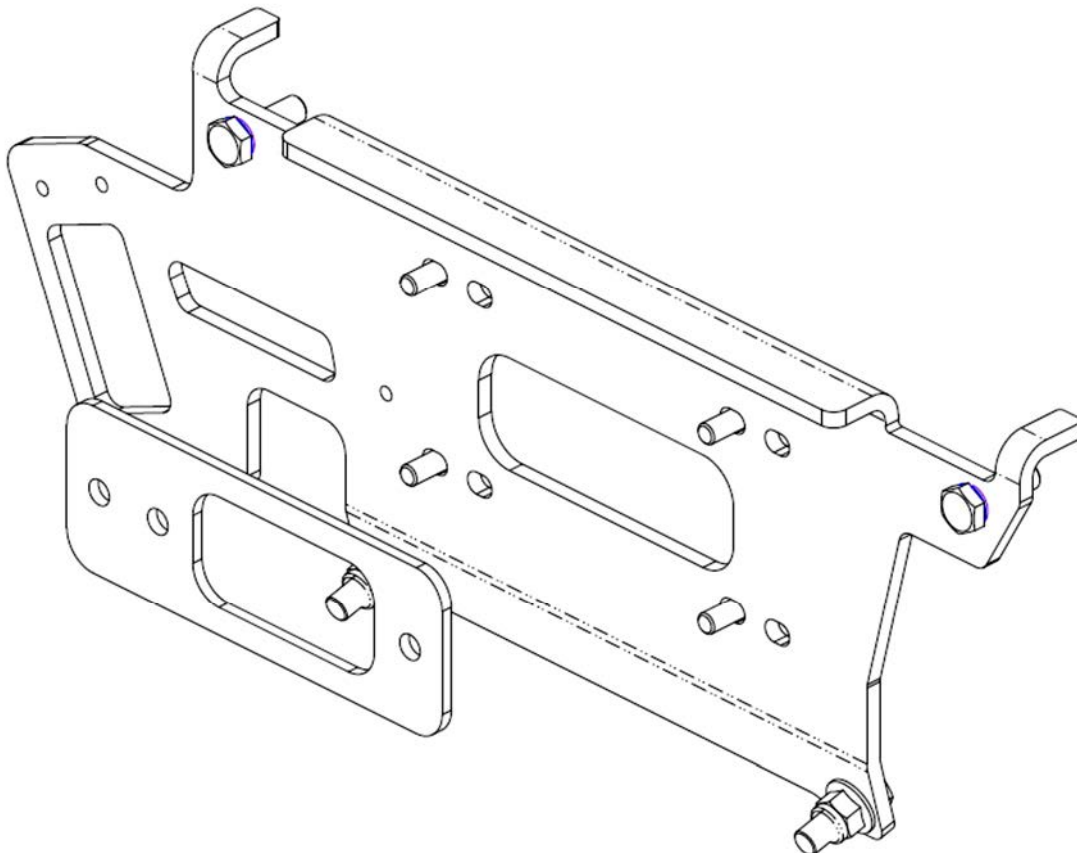
P/N 25-3400

ASSEMBLY / OWNERS MANUAL

Application

WINCH KIT NO. 25-9xxx

Before you begin, please read these instructions and check to be sure all parts and tools are accounted for. The following instructions contain details required to install and service the contents of this kit.



OPERATING INSTRUCTIONS

Congratulations! You've just purchased the most durable accessory component in the industry. Our accessories work great all year round! With proper care and maintenance, your Kolpin accessory will last for years to come! Please read and understand all assembly instructions, notices and warnings before assembling and using your Kolpin accessory.

Follow these guidelines to ensure a successful and satisfactory installation:

Read, understand this manual before beginning installation

Periodically check for wear and tightness of all fasteners.

Replace or re-torque fasteners as necessary.

SAFETY & GENERAL PRODUCT INFORMATION

Kolpin accessories are designed with your safety in mind.

In order to protect you and your vehicle, certain parts of the accessory and/or hardware may be designed to collapse or break when the equipment is over-stressed.

Kolpin winch mount kits are designed to be compatible with Kolpin and Cycle Country winches along with many others, but may not be compatible with some winches. Kolpin winch mount kits have design features that benefit snow plow applications.



! DANGER ! ! WARNING ! ! CAUTION !

To avoid personal injury or damage to your vehicle:

Read and understand all notices for:

Caution

Warning

Danger

Follow instructions for your vehicle, winch, winch mount and other items used in combination with this product.

Do not winch unsecured loads at any time.

Disconnect battery during winch installation or service to prevent electrical hazards.

Do not lift loads overhead.

Do not exceed the load capacity of the winch.

Always wear gloves when handling wire winch cable.

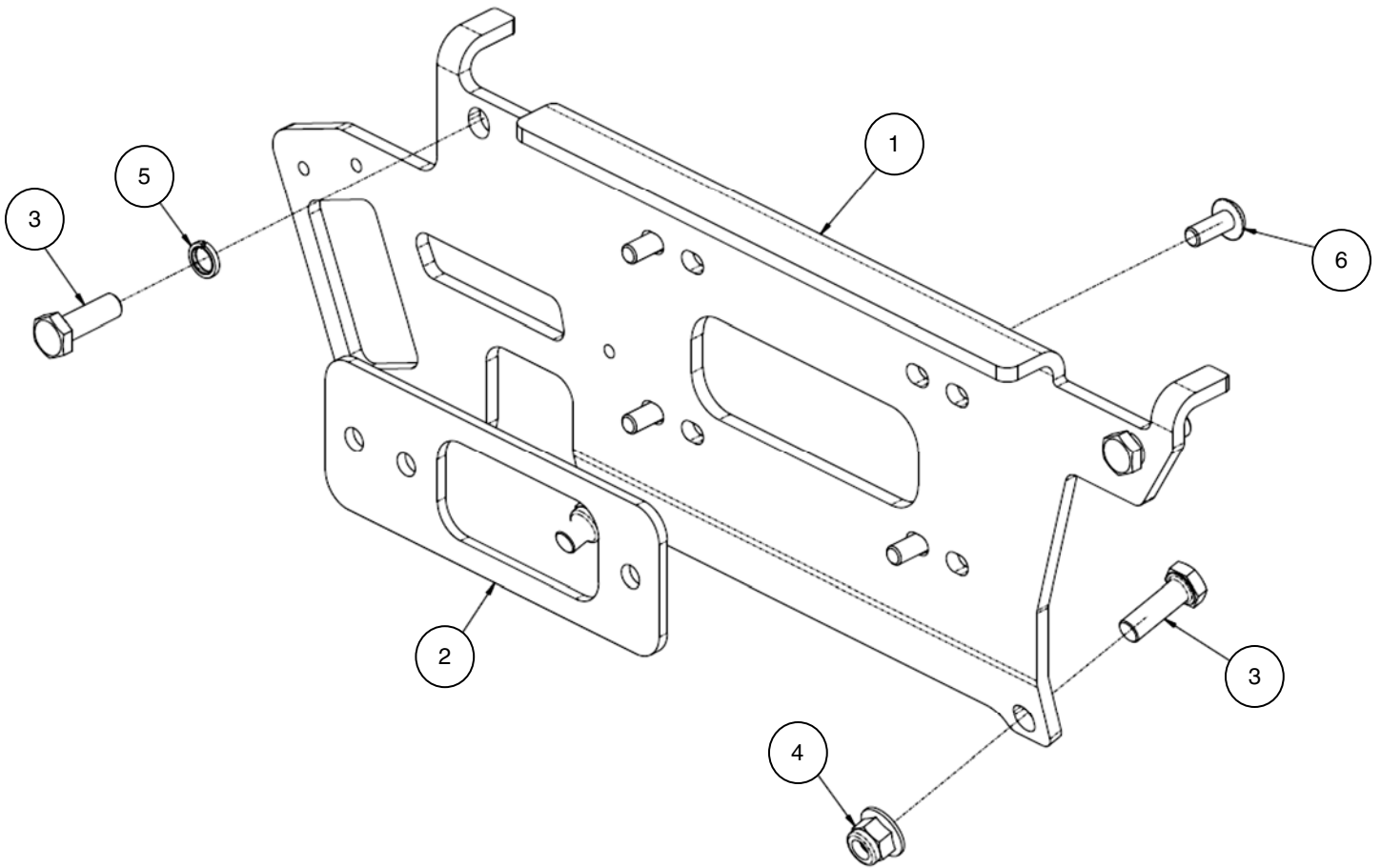
Do not use your winch or winch mount for towing.

Do not shock load the winch, cable or winch mount.

Keep fingers, hands and loose clothing away from roller fairlead and winch cable drum when in use.

Kit Contents:

Item	Qty	Part Description	Part Number
1	1	Winch Mount Bracket with Contactor Mount	-
2	1	Fairlead Adapter	CYC6425
3	4	Hex Bolt, Zinc Plated, M10-1.5 x 30mm LG	-
4	2	Locknut, Zinc Plated, M10-1.5	-
5	2	Lock Washer, Zinc Plated, M10	-
6	4	Button Screw, Zinc Plated, M8-1.25-20mm LG	7519260
7	1	Instruction Guide (not shown)	-



BEFORE YOU BEGIN:

- Your Kolpin accessory is exclusively designed for your vehicle
- Please read and understand all instructions
- Verify all parts and tools are accounted for
- To ensure a satisfactory installation, follow all steps correctly and in the sequence described
- Keep these instructions for future reference or for informational requests
- To facilitate installation, make sure that your vehicle is clean and free of debris
- All directions referring to right and left are when the rider is sitting on the machine

TOOLS REQUIRED:

- Basic Metric wrench and socket set
- Torx bit tools
- Pliers
- Do not use impact tools to install hardware

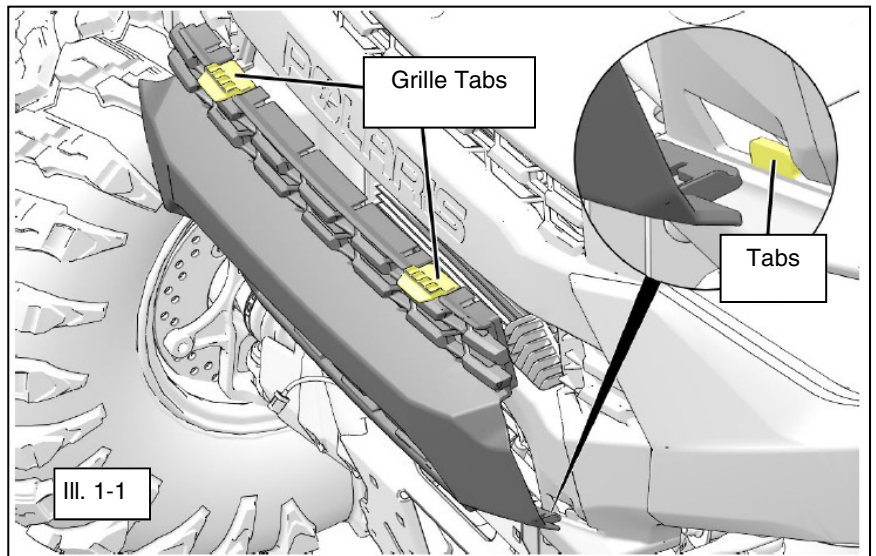
APPROXIMATE ASSEMBLY TIME: 15 minutes

Note: Additional time may be required to accommodate other installed accessories.

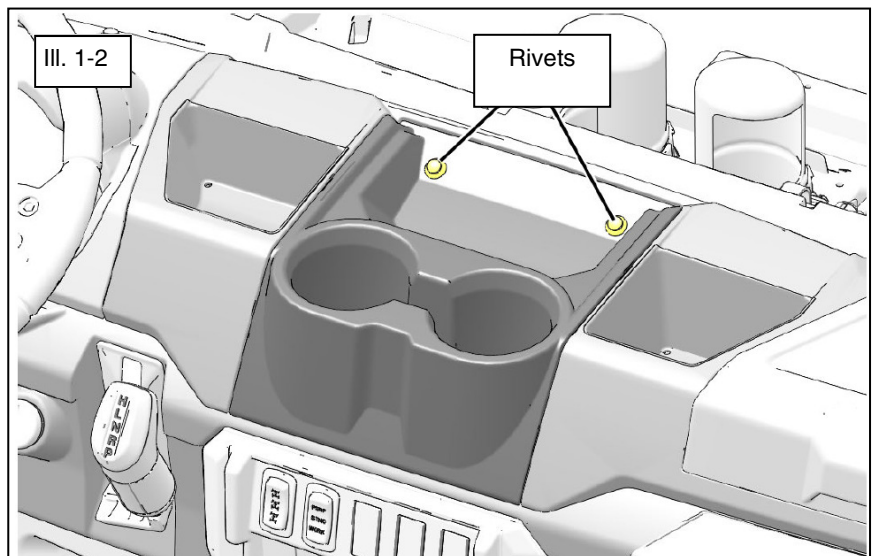
Note: If any hardware is missing, do not return to the store. Call us to help, Toll Free 1-877-956-5746.

Installation Prep:

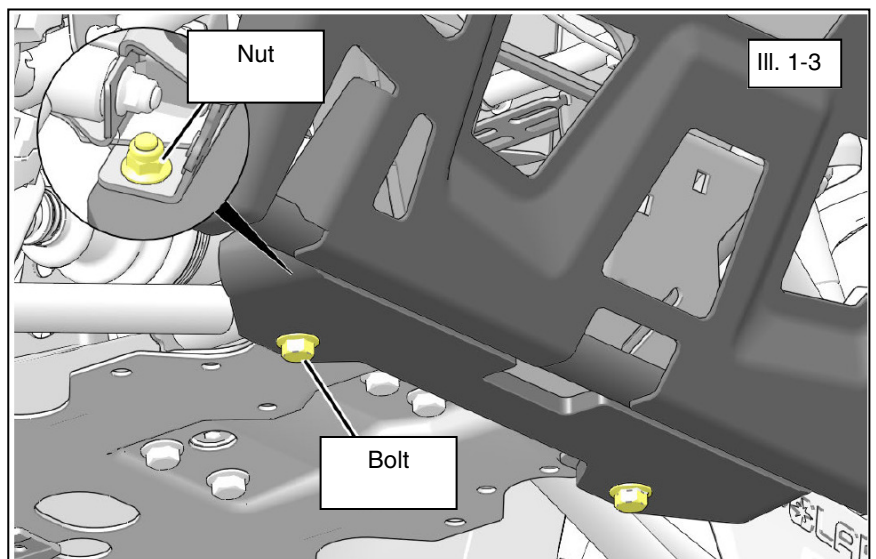
1. Shift vehicle transmission into PARK. Turn ignition key to OFF position and remove from ignition switch.
2. Flip up passenger seat bottom, remove driver's seat and underseat storage compartment, then disconnect black negative (-) cable from battery.
3. Gain access by removing hood and by removing lower grille by carefully depressing two tabs at top of grille, tip grille outward. Then lift grille out of two lower side tabs in upper fascia as shown. (See illustration 1-1). **Note, bumper hidden for clarity.**



4. Remove upper dash cupholder by removing two push pin rivets as shown, then sliding cupholder rearward. Retain rivets for reinstall later. (See illustration 1-2).

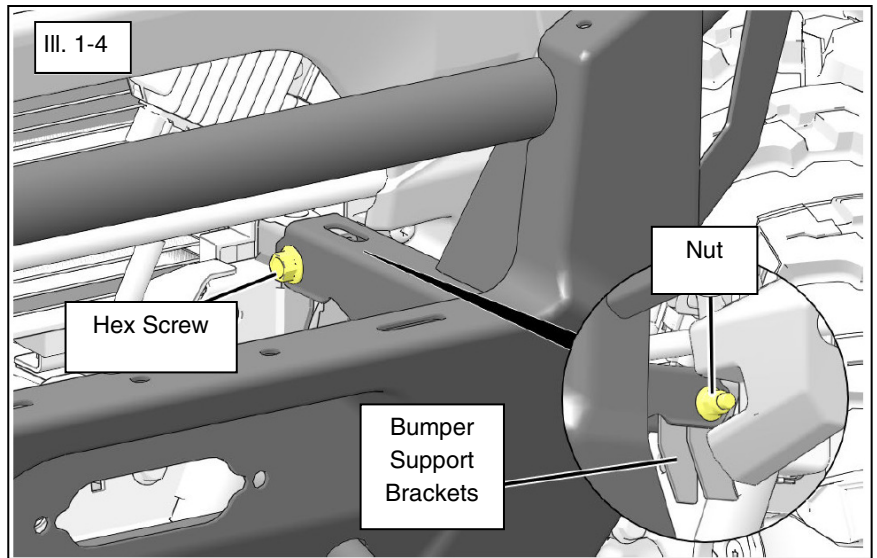


5. Remove the front bumper from the vehicle as shown. (See illustration 1-3). Remove nut and screw from bottom of bumper. Repeat for opposite side. Retain OEM hardware for reinstall later. (See illustration 1-3). **Note, bumper weighs approximately 38 lbs. (17 kg), provide adequate support for bumper before removing final screws.**



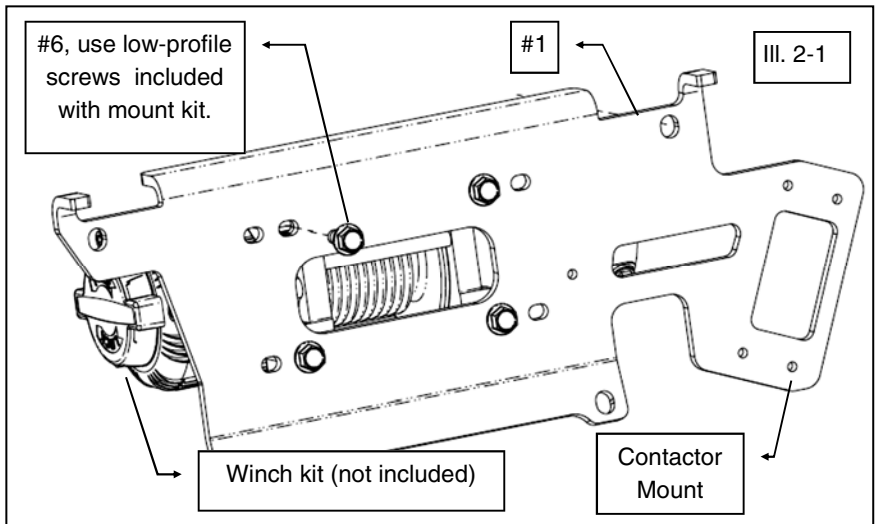
Installation Prep (Continued):

6. While supporting bumper, remove nut and screw as shown. Repeat for opposite side, then remove bumper and set aside. Retain OEM hardware for reinstall later. (See illustration 1-4). **Note, screws pass through bumper support brackets, these brackets will be referenced in step 10.**




Winch Mount Options:

7. The Kolpin winch mount 25-3400 has two winch mounting options. One hole pattern for standard width winches and one hole pattern for wide mount winches. A contactor mount also exists.
8. If installing a standard mount winch style, install the winch mount plate (item #1) as shown. Assemble the winch to the mount plate using the low-profile screws (item #6). (See illustration 2-1).

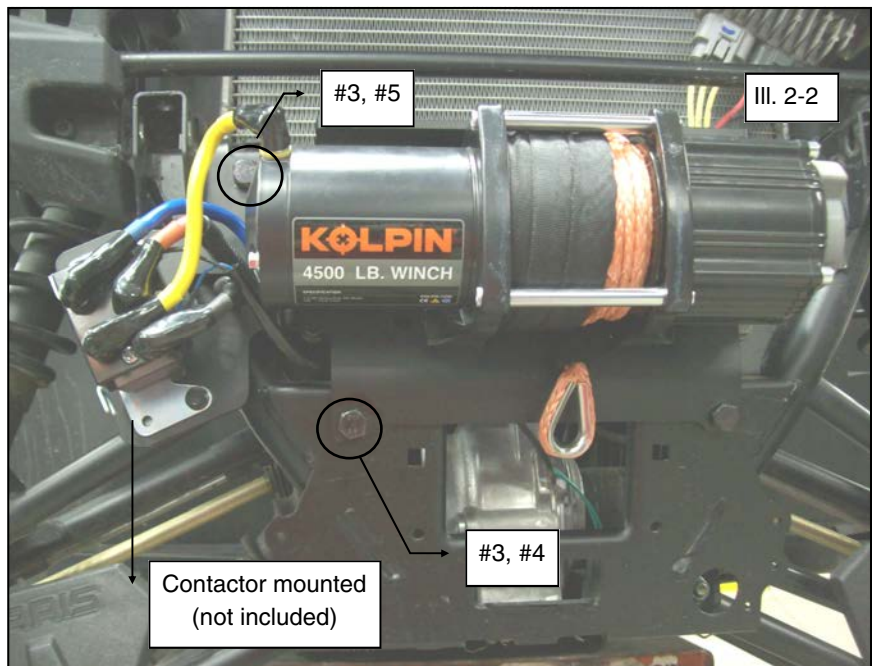


9. Tighten M8 fasteners to specification.


 = T
8MM FASTENER TORQUE: 17 ft. lbs. (23 Nm)

Mount Winch Assembly to Frame:

10. Install by hanging the hooks of the winch assembly on vehicle front support structure, centered between two bumper support brackets as noted in previous step 6.
11. At UPPER fasteners holes, loosely install M10 bolts (item #3) through lock washers (item #5) and then REARWARD through winch assembly into vehicle support structure. **Do not tighten at this step.**




12. At LOWER fastener holes, install M10 bolts (item #3) FORWARD through vehicle front support structure and winch assembly, then secure with M10 locknuts (item #4).
13. Tighten all M10 fasteners to specification. (See illustration 2-2). **Note, contactor and custom-trimmed wires shown, not included.**

 = T
10MM FASTENER TORQUE: 34 ft. lbs. (46 Nm)


Mount Winch Assembly to Frame (Continued):

14. Reinstall lower grille if removed.
15. Using OEM hardware, reinstall front bumper.
16. Tighten fasteners to specification.

 = T
FRONT BUMPER FASTENER TORQUE: 40 ft. lbs. (54 Nm)

Roller Fairlead Mount Options:

17. If installing a standard mount roller fairlead, use the inside hole of the fairlead adapter (item #2) to mount the roller fairlead. Mount the assembly to the bumper as shown. (See illustration 3-1).
18. Tighten M8 fasteners to specification.

 = T
8MM FASTENER TORQUE: 17 ft. lbs. (23 Nm)

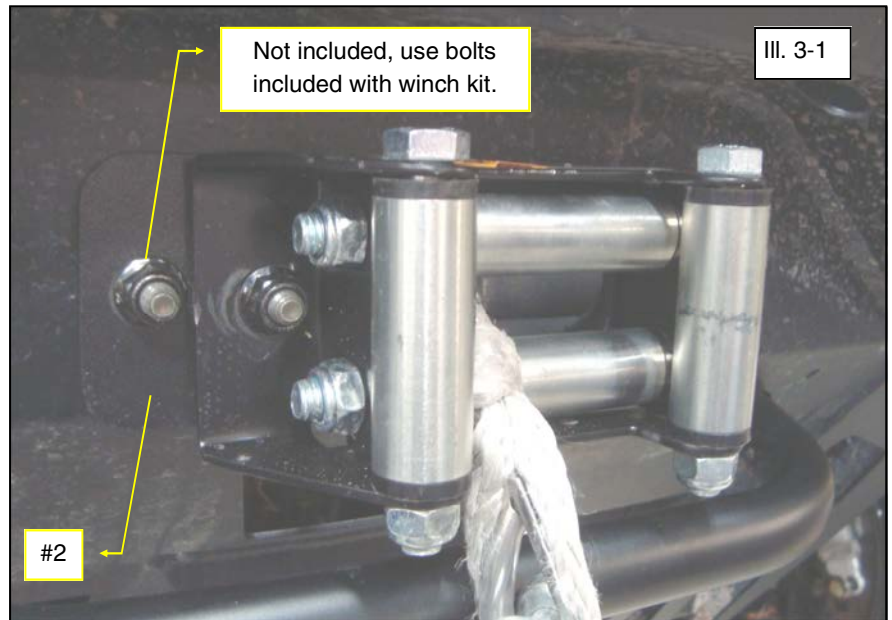
19. If installing a wide mount roller fairlead, install the assembly directly to the bumper without using fairlead adapter (item #2).

Winch Cable Wrap Installation on Spool Drum:

20. The winch cable or rope should be wrapped around the spool drum as shown. Spooling the cable as shown will prolong cable life and enhance winch performance. (See illustration 4-1).
21. Connect the hook to cable or rope by using hardware included in winch kit.

Winch Wiring and Connections:

22. Using the winch kit instructions, route and connect the electrical cables and components for the winch system.
23. Secure all harnesses using cable ties (provided with winch kit) to prevent contact with hot components, sharp edges or moving parts.
24. Reconnect black negative (-) cable to battery, then reinstall under-seat storage compartment and driver's seat. Restore hood access.





One Year Limited Warranty

For the period of one (1) year from the purchase date, Kolpin will replace for the original purchaser, free of charge, any part or parts found upon examination by Kolpin to be defective in material, workmanship, or both.

All transportation costs incurred submitting product to Kolpin for warranty consideration must be borne by the purchaser. If Kolpin determines that the product must be returned to the factory for credit, please call 1-877-956-5746 for a Return Merchandise Authorization (RMA) number and shipping instructions.

This warranty does not apply to parts that have been damaged by accident, alteration, abuse, improper maintenance, normal wear, or other causes beyond the manufacturer's control. In order to protect you and your ATV, certain parts of the accessory system and/or hardware are designed to fail when the equipment is over-stressed. Parts that are lost due to loosening and improper maintenance are not covered under warranty. This warranty does not cover removal or reinstallation labor fees of the plow system and related components.

Peripheral products such as engines, electric motors, and actuators may carry an original manufacturer's warranty. Most hardware is general in nature and is easily obtained locally. Be sure to replace with minimum metric class 8.8 specification.

Kolpin Outdoors, Inc.

Telephone: (763)-478-5800

Toll Free: (877)-956-5746

Fax Number: (800)-245-7569

www.kolpin.com

Email: customerservice@kolpin.com