



WINCH MOUNT KIT

FOR POLARIS RANGER

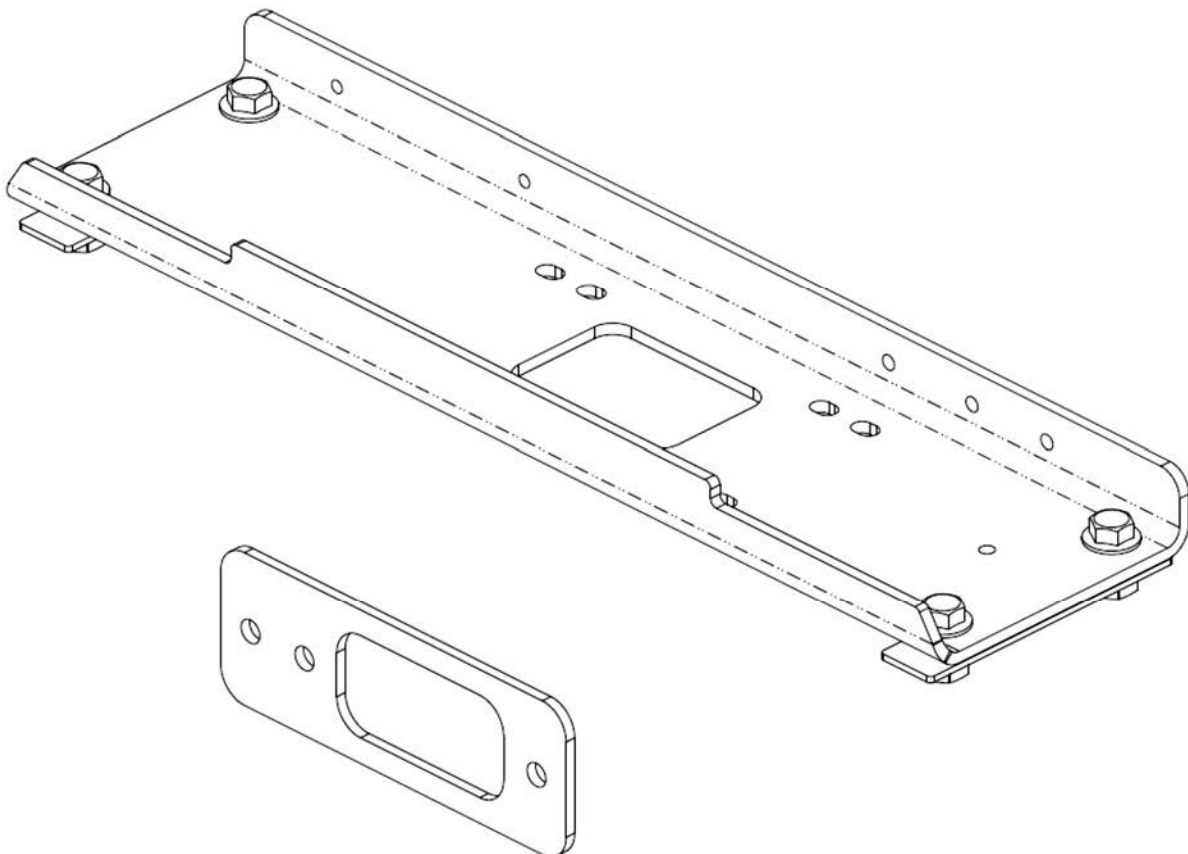
P/N 25-3430

ASSEMBLY / OWNERS MANUAL

Application

WINCH KIT NO. 25-9xxx

Before you begin, please read these instructions and check to be sure all parts and tools are accounted for. The following instructions contain details required to install and service the contents of this kit.



OPERATING INSTRUCTIONS

Congratulations! You've just purchased the most durable accessory component in the industry. Our accessories work great all year round! With proper care and maintenance, your Kolpin accessory will last for years to come! Please read and understand all assembly instructions, notices and warnings before assembling and using your Kolpin accessory.

Follow these guidelines to ensure a successful and satisfactory installation:

Read, understand this manual before beginning installation

Periodically check for wear and tightness of all fasteners.

Replace or re-torque fasteners as necessary.

SAFETY & GENERAL PRODUCT INFORMATION

Kolpin accessories are designed with your safety in mind.

In order to protect you and your vehicle, certain parts of the accessory and/or hardware may be designed to collapse or break when the equipment is over-stressed.

Kolpin winch mount kits are designed to be compatible with Kolpin and Cycle Country winches along with many others, but may not be compatible with some winches. Kolpin winch mount kits have design features that benefit snow plow applications.



! DANGER ! ! WARNING ! ! CAUTION !

To avoid personal injury or damage to your vehicle:

Read and understand all notices for:

Caution

Warning

Danger

Follow instructions for your vehicle, winch, winch mount and other items used in combination with this product.

Do not winch unsecured loads at any time.

Disconnect battery during winch installation or service to prevent electrical hazards.

Do not lift loads overhead.

Do not exceed the load capacity of the winch.

Always wear gloves when handling wire winch cable.

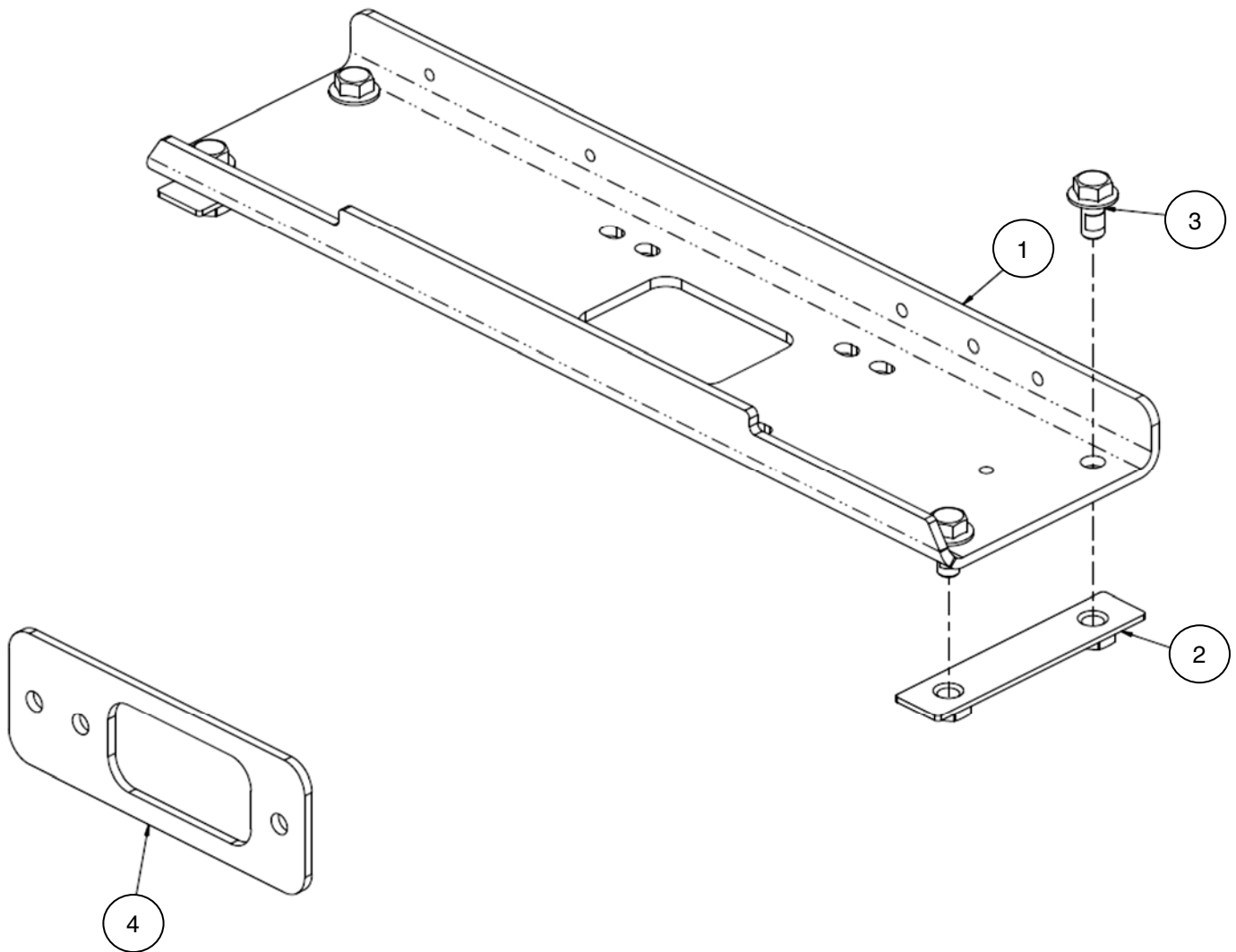
Do not use your winch or winch mount for towing.

Do not shock load the winch, cable or winch mount.

Keep fingers, hands and loose clothing away from roller fairlead and winch cable drum when in use.

Kit Contents:

Item	Qty	Part Description	Part Number
1	1	RGR Winch Mount Bracket	-
2	2	Nut Plate, Painted, M10-1.5	-
3	4	Flange Hex Bolt, Zinc Plated, M10-1.5 x 20mm LG	-
4	1	Fairlead Adapter	CYC6425
5	1	Instruction Guide (not shown)	-



BEFORE YOU BEGIN:

- Your Kolpin accessory is exclusively designed for your vehicle
- Please read and understand all instructions
- Verify all parts and tools are accounted for
- To ensure a satisfactory installation, follow all steps correctly and in the sequence described
- Keep these instructions for future reference or for informational requests
- To facilitate installation, make sure that your vehicle is clean and free of debris
- All directions referring to right and left are when the rider is sitting on the machine

TOOLS REQUIRED:

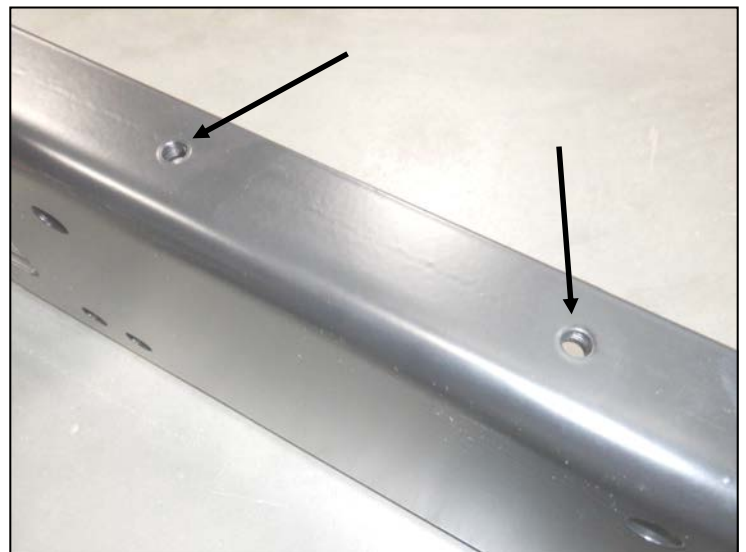
- Metric wrench set
- Metric socket set
- Pliers
- Do not use impact tools to install hardware

APPROXIMATE ASSEMBLY TIME: 30 minutes

Note: Additional time may be required to accommodate other installed accessories.

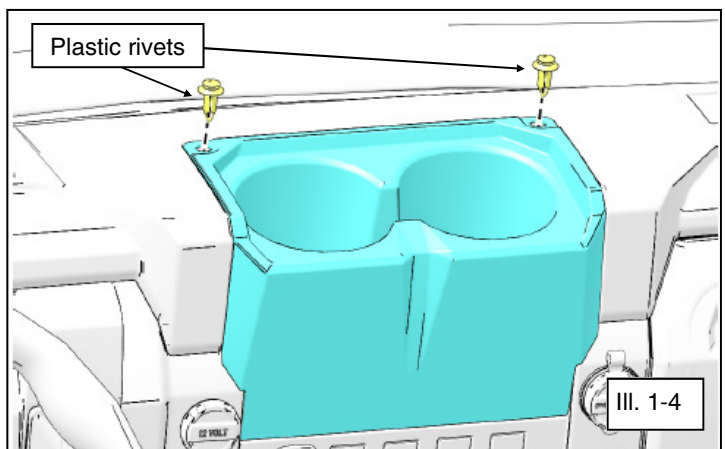
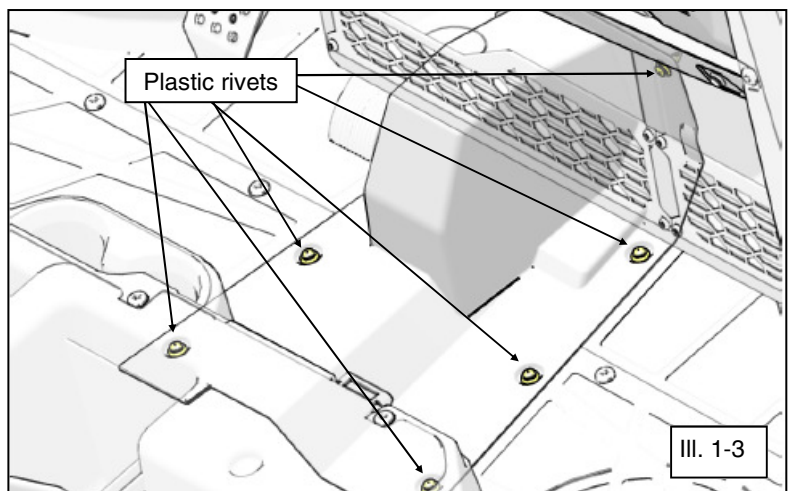
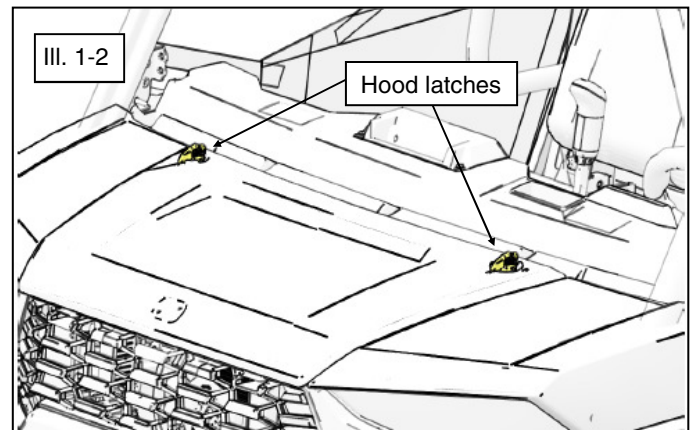
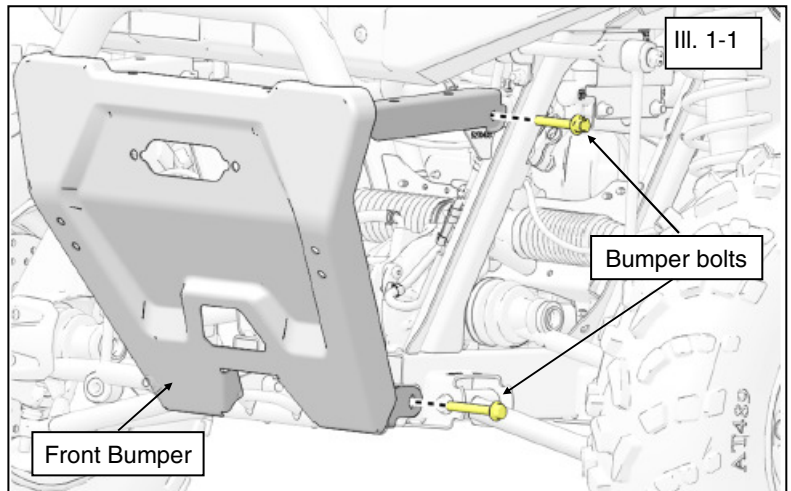
Note: If any hardware is missing, do not return to the store. Call us to help, Toll Free 1-877-956-5746.

Mount bracket (item #1) has pre-drilled holes for mounting Kolpin contactor (provided with winch kit) onto backside of bracket as shown in images below and to the right.



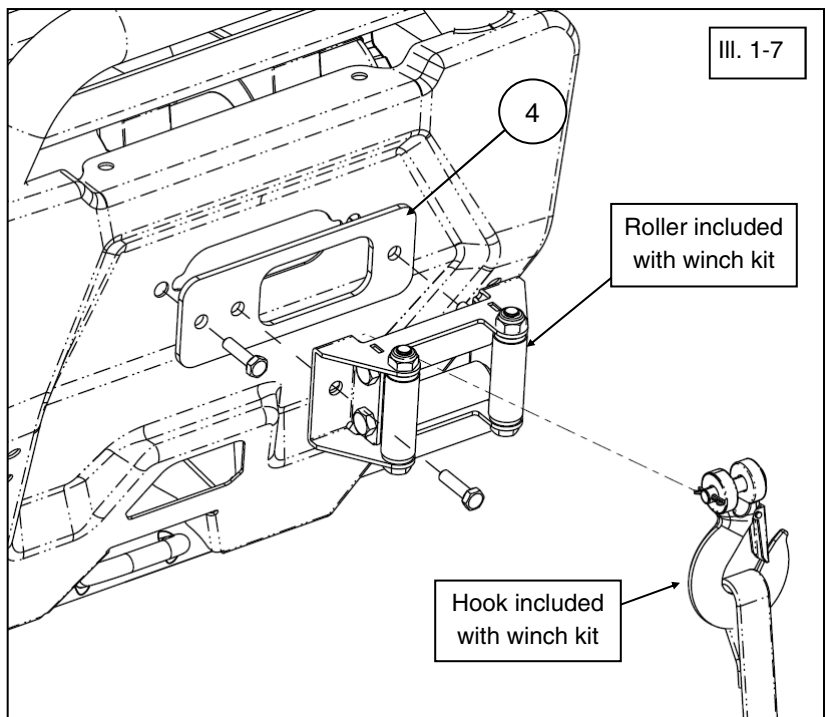
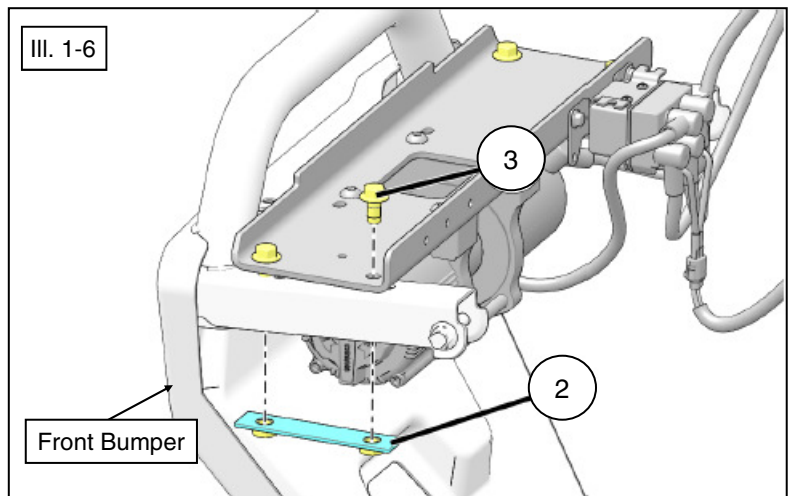
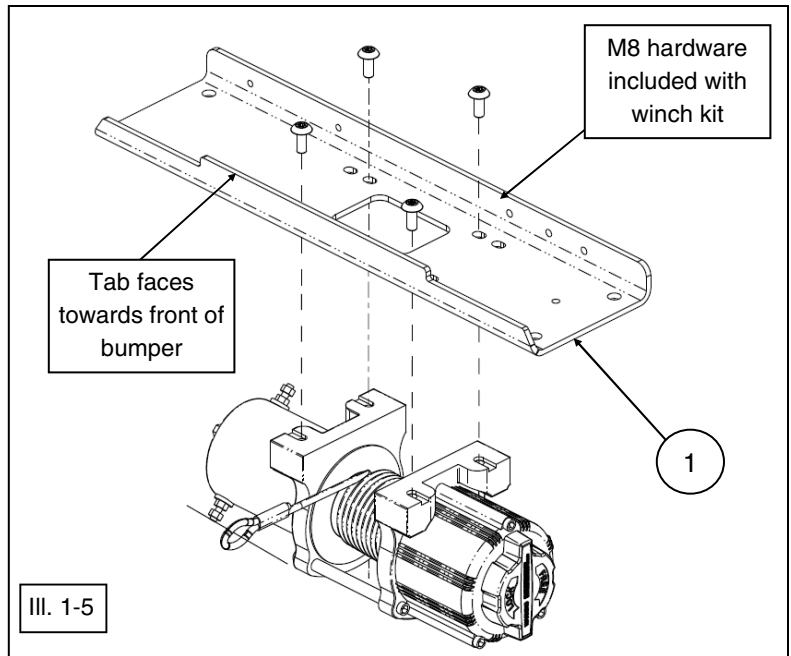
Installation Prep:


1. Shift vehicle transmission into PARK. Turn ignition key to OFF position and remove from ignition switch.
2. Remove the passenger's seat bottom and disconnect the positive (red) wire and the negative (black) wire from the battery.
3. Remove the front bumper by removing four bolts (two per side) as shown. Save hardware for reinstall later. (See illustration 1-1). **Note, bumper is heavy, provide adequate support for bumper before removing final screws.**
4. To gain access to route wiring, unlatch the two hood latches to remove the hood. (See illustration 1-2).
5. To gain access to route wiring to battery. Remove the eight plastic tuflock rivets securing the driveshaft cover to the floor. Save the fasteners for use during reinstallation. Remove the driveshaft cover from vehicle. (See illustration 1-3).
6. To gain access to route wiring to dash. Remove the top center dash cover (cup holder) of the vehicle by removing the two plastic tuflok push rivets. (See illustration 1-4).




Winch Mount and Bumper Assembly:

7. Install winch to mounting bracket using the M8 hardware supplied with winch kit as shown (bolts, lock washers, flat washers). (See illustration 1-5).
8. Attach winch bracket (item #1) to front bumper using the M10 bolts (item #3) with the nut brackets (item #2) as shown. (See illustration 1-6). **Note, contactor and custom-trimmed wires shown, not included with bracket kit.**
9. Attach the fairlead adapter plate (item #4) to the front bumper as shown using hardware provided in winch kit. (See illustration 1-7). **Note, this step is not required if using wide pattern roller fairlead (not included, sold separately as PN 85087).**
10. Attach roller fairlead (supplied with winch) using the M8 hardware (supplied with winch) to the fairlead adapter plate/ winch bracket with the warning decal facing up so it is readable. (See illustration 1-7).
11. Route winch cable from back side of bumper through roller fairlead. Attach winch hook to cable.
12. Tighten hardware to specifications.



 = T


10MM FASTENER TORQUE:
34 ft. lbs. (46 Nm)

 = T

8MM FASTENER TORQUE:
17 ft. lbs. (23 Nm)

Winch Mount and Bumper Assembly (Continued):

13. Reinstall bumper using the OEM hardware previously removed.
(See illustration 1-8).

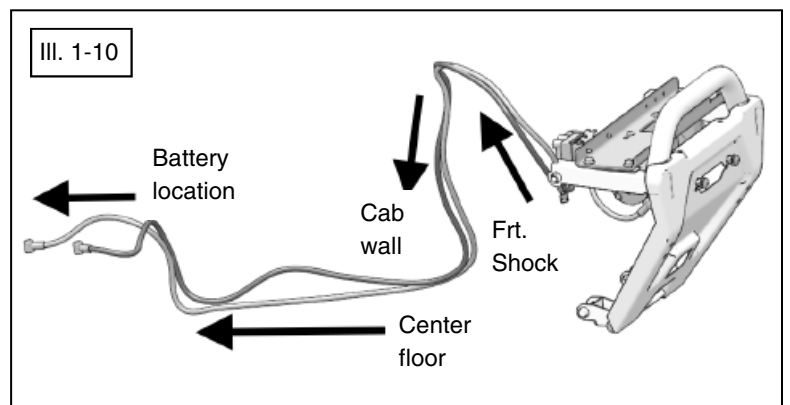
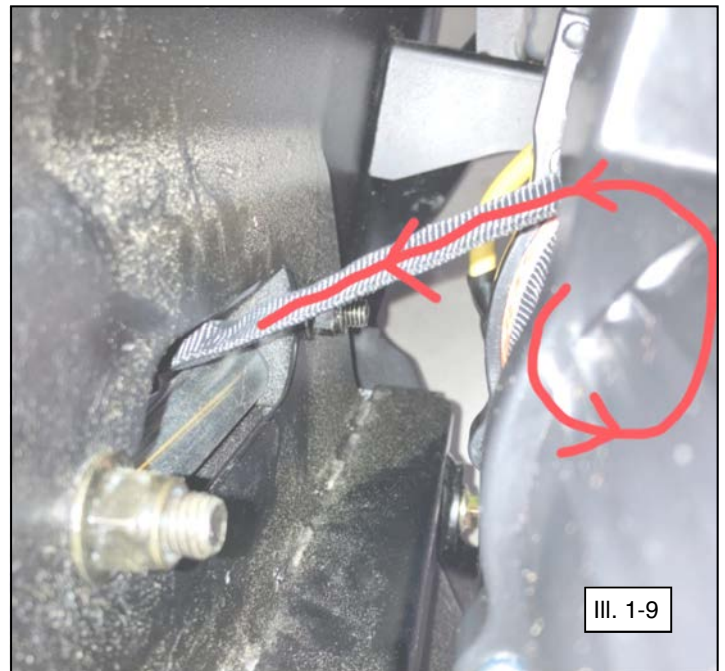
 = T
FRONT BUMPER FASTENER TORQUE: 30 ft. lbs. (40 Nm)

Winch Cable Wrap Installation on Spool Drum:

14. The winch cable or rope should be wrapped around the spool drum as shown. Spooling the cable as shown will prolong cable life and enhance winch performance. (See illustration 1-9).

Winch Wiring and Connections:

15. Using the winch kit instructions, route and connect the electrical cables and components for the winch system.
16. Route the red and black battery cables up along the front frame over the front shock, then down the cab wall towards the center floor, along the existing factory wire harness. The black and red battery leads route and follow the main factory harness to the battery compartment. (See illustration 1-10).
17. Secure all harnesses using cable ties (provided with winch kit) to prevent contact with hot components, sharp edges or moving parts.
18. Reconnect black negative (-) cable to battery, then positive cable (+) and then reinstall under-seat storage compartment and driver's seat.
19. Reinstall the body parts removed for wiring access.
20. With the vehicle key in the ON position, check winch for proper operation.
21. Retighten all hardware after 30 minutes of riding.





One Year Limited Warranty

For the period of one (1) year from the purchase date, Kolpin will replace for the original purchaser, free of charge, any part or parts found upon examination by Kolpin to be defective in material, workmanship, or both.

All transportation costs incurred submitting product to Kolpin for warranty consideration must be borne by the purchaser. If Kolpin determines that the product must be returned to the factory for credit, please call 1-877-956-5746 for a Return Merchandise Authorization (RMA) number and shipping instructions.

This warranty does not apply to parts that have been damaged by accident, alteration, abuse, improper maintenance, normal wear, or other causes beyond the manufacturer's control. In order to protect you and your ATV, certain parts of the accessory system and/or hardware are designed to fail when the equipment is over-stressed. Parts that are lost due to loosening and improper maintenance are not covered under warranty. This warranty does not cover removal or reinstallation labor fees of the plow system and related components.

Peripheral products such as engines, electric motors, and actuators may carry an original manufacturer's warranty. Most hardware is general in nature and is easily obtained locally. Be sure to replace with minimum metric class 8.8 specification.

Kolpin Outdoors, Inc.

Telephone: (763)-478-5800

Toll Free: (877)-956-5746

Fax Number: (800)-245-7569

www.kolpin.com

Email: customerservice@kolpin.com