



WINCH MOUNT KIT

FOR POLARIS RANGER XD 1500

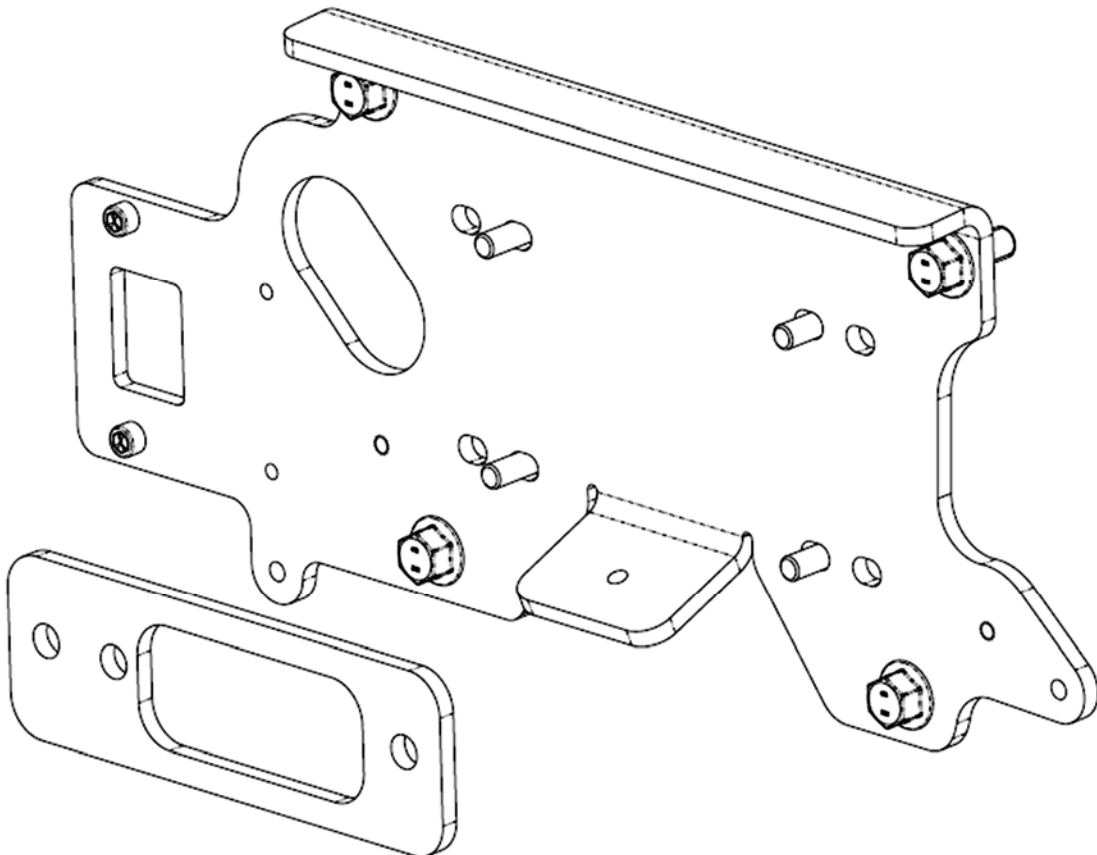
P/N 25-3450

ASSEMBLY / OWNERS MANUAL

Application

WINCH KIT NO. 25-9xxx

Before you begin, please read these instructions and check to be sure all parts and tools are accounted for. The following instructions contain details required to install and service the contents of this kit.



OPERATING INSTRUCTIONS

Congratulations! You've just purchased the most durable accessory component in the industry. Our accessories work great all year round! With proper care and maintenance, your Kolpin accessory will last for years to come! Please read and understand all assembly instructions, notices and warnings before assembling and using your Kolpin accessory.

Follow these guidelines to ensure a successful and satisfactory installation:

Read, understand this manual before beginning installation

Periodically check for wear and tightness of all fasteners.

Replace or re-torque fasteners as necessary.

SAFETY & GENERAL PRODUCT INFORMATION

Kolpin accessories are designed with your safety in mind.

In order to protect you and your vehicle, certain parts of the accessory and/or hardware may be designed to collapse or break when the equipment is over-stressed.

Kolpin winch mount kits are designed to be compatible with Kolpin and Cycle Country winches along with many others, but may not be compatible with some winches. Kolpin winch mount kits have design features that benefit snow plow applications.



! DANGER ! ! WARNING ! ! CAUTION !

To avoid personal injury or damage to your vehicle:

Read and understand all notices for:

Caution

Warning

Danger

Follow instructions for your vehicle, winch, winch mount and other items used in combination with this product.

Do not winch unsecured loads at any time.

Disconnect battery during winch installation or service to prevent electrical hazards.

Do not lift loads overhead.

Do not exceed the load capacity of the winch.

Always wear gloves and safety glasses when handling wire winch cable.

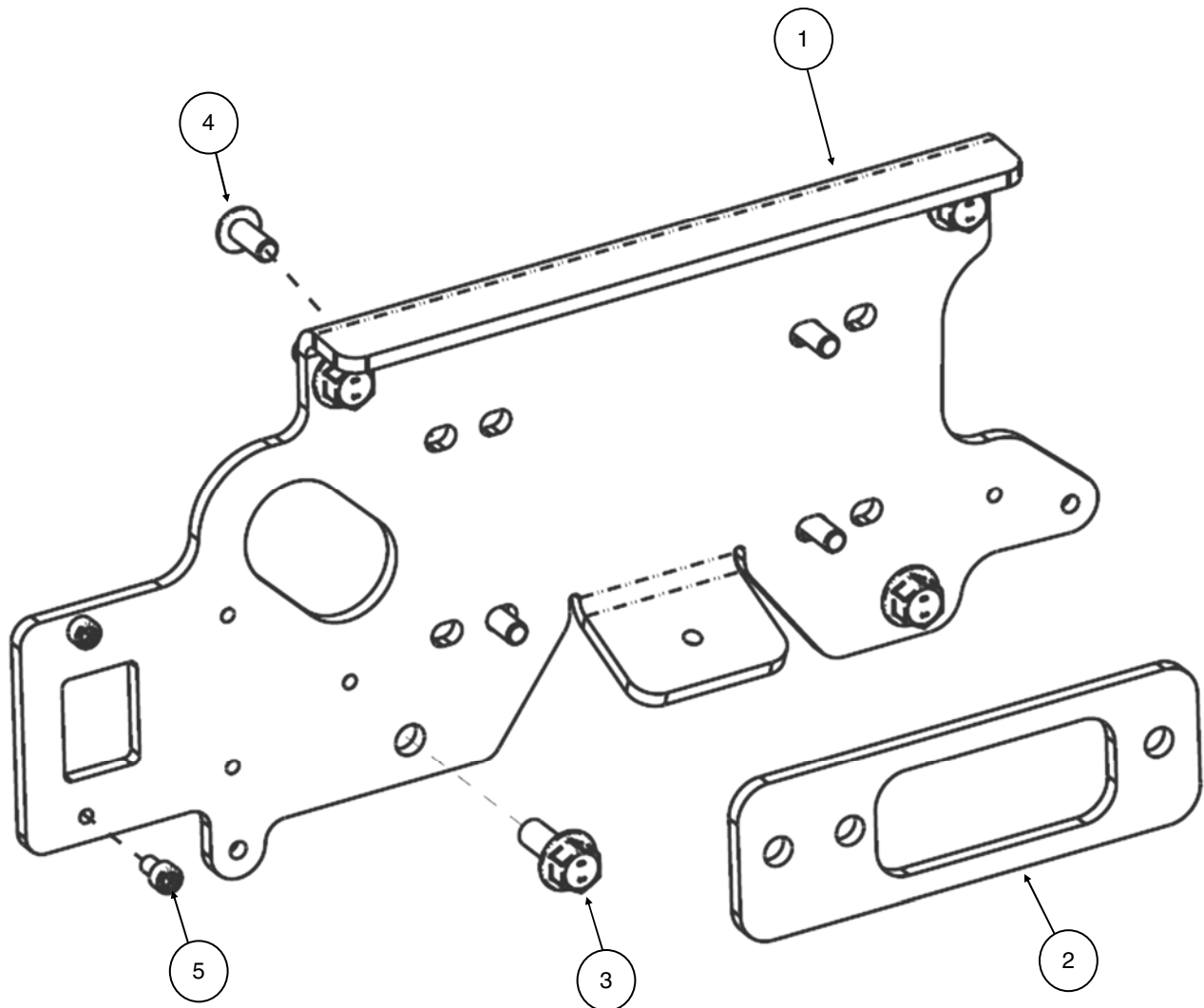
Do not use your winch or winch mount for towing.

Do not shock load the winch, cable or winch mount.

Keep fingers, hands and loose clothing away from roller fairlead and winch cable drum when in use.

Kit Contents:

Item	Qty	Part Description	Part Number
1	1	Winch Mount Bracket with Contactor Mount	-
2	1	Ranger XD Fairlead Adapter	-
3	4	Hex Bolt, Zinc Plated, M10-1.5 x 25mm LG	-
4	4	Button Screw, Zinc Plated, M8-1.25 x 20mm LG	7519260
5	2	Socket Head Cap Screw, Zinc Plated, M6-1.0 x 10mm LG	7517337
6	1	Instruction Guide (not shown)	-



BEFORE YOU BEGIN:

- Your Kolpin accessory is exclusively designed for your vehicle
- Please read and understand all instructions
- Verify all parts and tools are accounted for
- To ensure a satisfactory installation, follow all steps correctly and in the sequence described
- Keep these instructions for future reference or for informational requests
- To facilitate installation, make sure that your vehicle is clean and free of debris
- All directions referring to right and left are when the rider is sitting on the machine

TOOLS REQUIRED:

- Basic Metric wrench and socket set
- Torx bit tools
- Pliers
- Torque Wrench
- Do not use impact tools to install hardware
- Safety Glasses

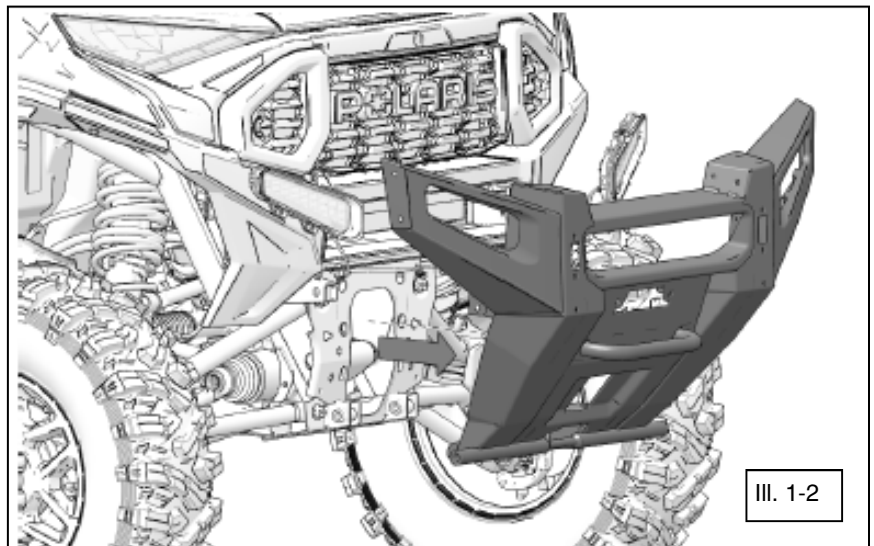
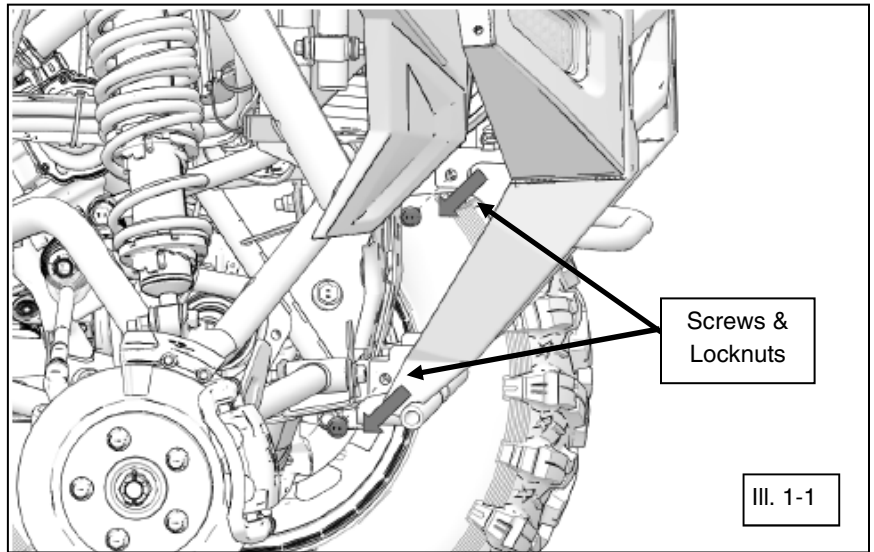
APPROXIMATE ASSEMBLY TIME: 30 minutes

Note: Additional time may be required to accommodate other installed accessories.

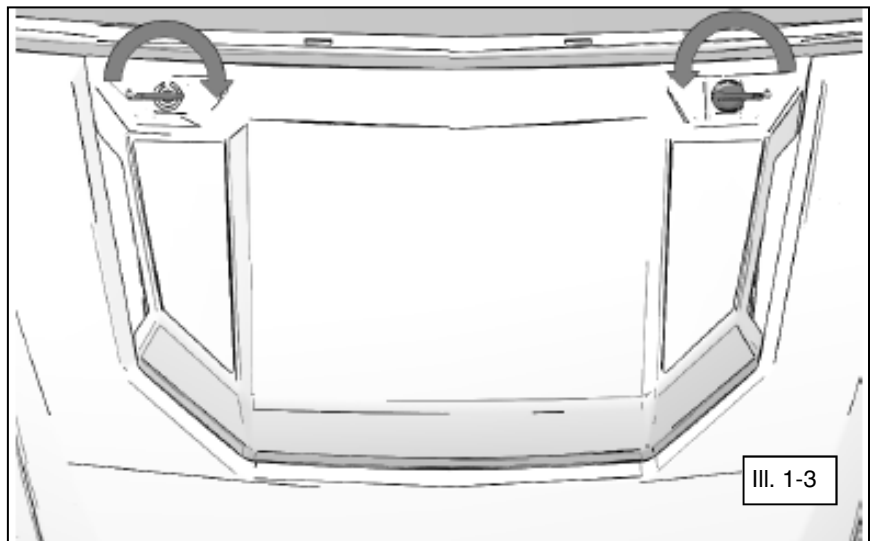
Note: If any hardware is missing, do not return to the store. Call us to help, Toll Free 1-877-956-5746.

Installation Prep:

1. Shift vehicle transmission into PARK. Turn ignition key to OFF position and remove from ignition switch.
2. Support the weight of the front bumper before removing. Remove and keep the four screws and four nuts behind the bumper. (See illustration 1-1). **Note: Right side is shown, left side is similar. Right front wheel is hidden for clarity.**
3. Pull forward to remove front bumper from vehicle as shown. (See illustration 1-2).

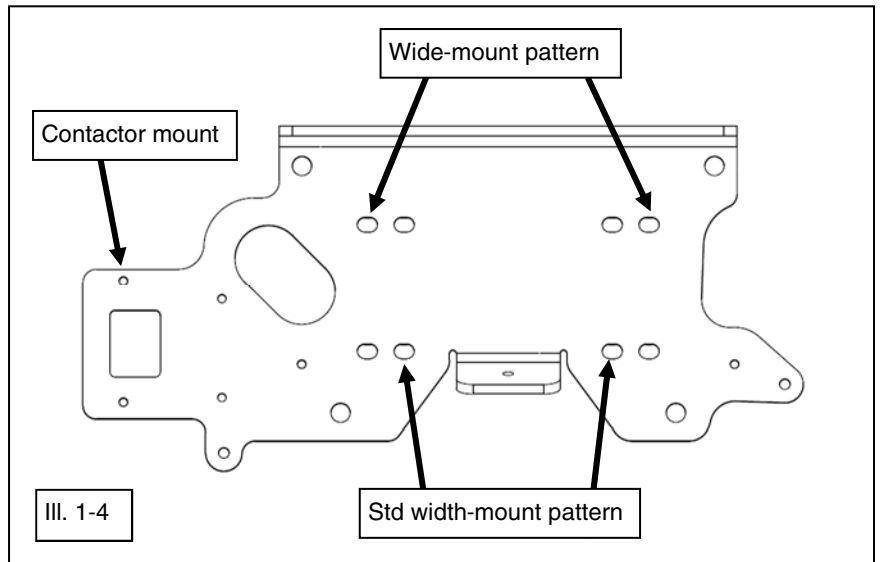


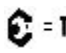
4. Remove inner hood by turning knobs upwards as shown. (See illustration 1-3).
5. Move hood forward to release front hooks and lift to remove.

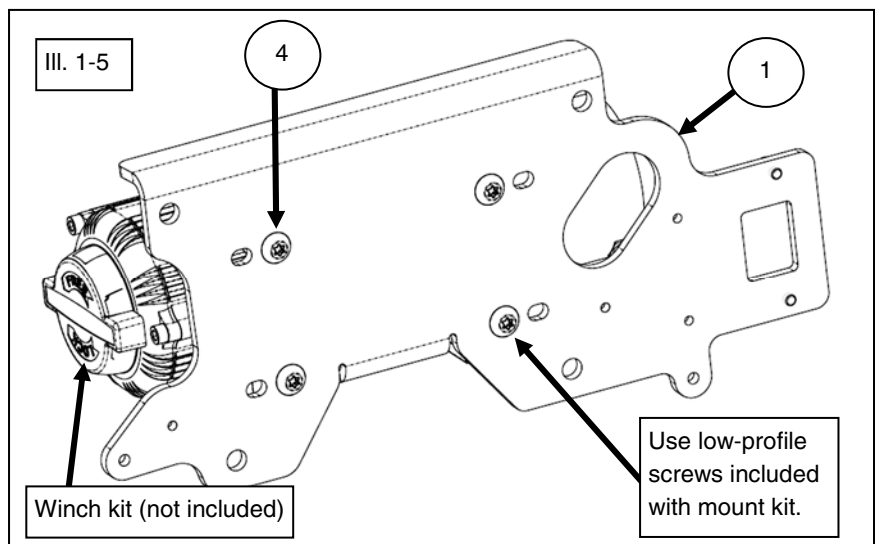


Winch Mount Options:

6. The Kolpin winch mount 25-3450 has two winch mounting options. One hole pattern for standard width winches and one hole pattern for wide mount winches. A contactor mount also exists. Use the M6 socket head cap screws (item #5) to install contactor (included with winch kit) to mounting bracket. (See illustration 1-4).
7. If installing a standard mount winch style, install the winch mount plate (item #1) as shown. Assemble the winch to the mount plate using the M8 low-profile screws (item #4). (See illustration 1-5).
8. Tighten M8 fasteners to specification.

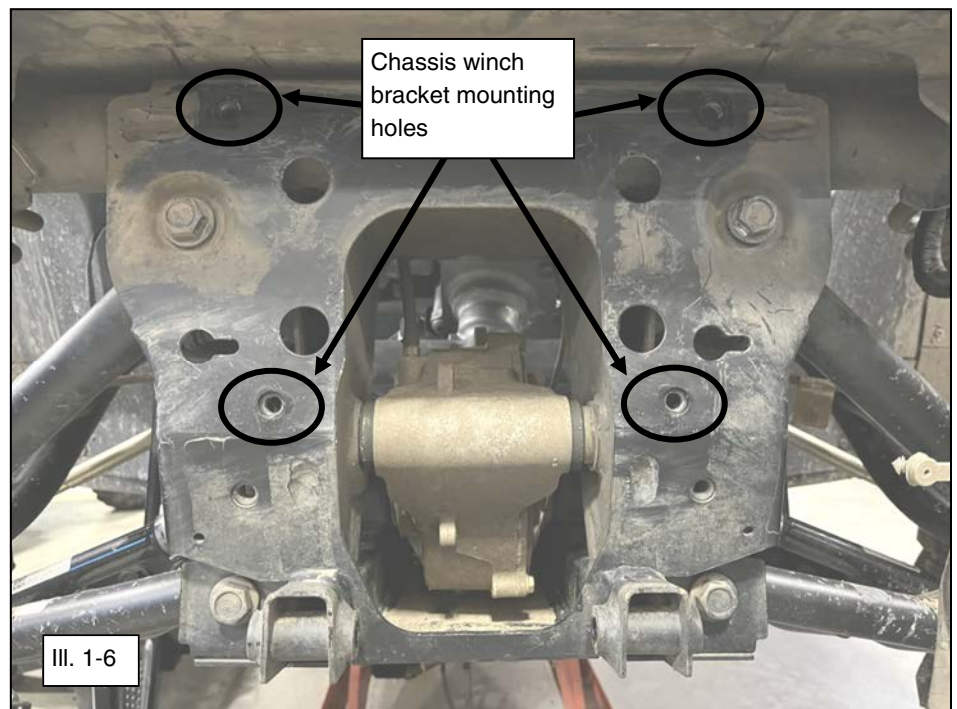


 = T
8MM FASTENER TORQUE: 17 ft. lbs. (23 Nm)




Mount Winch Assembly to Frame:

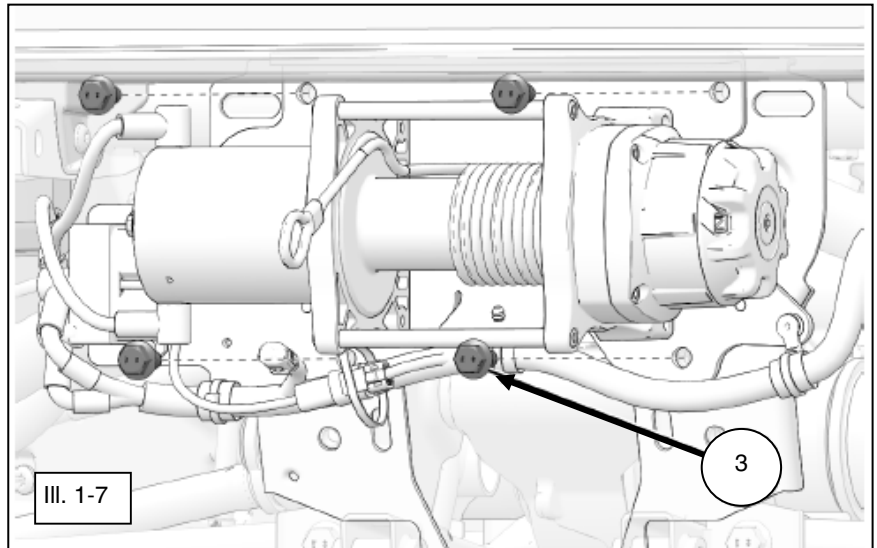
9. Find the four mounting holes on front of vehicle chassis. (See illustration 1-6).



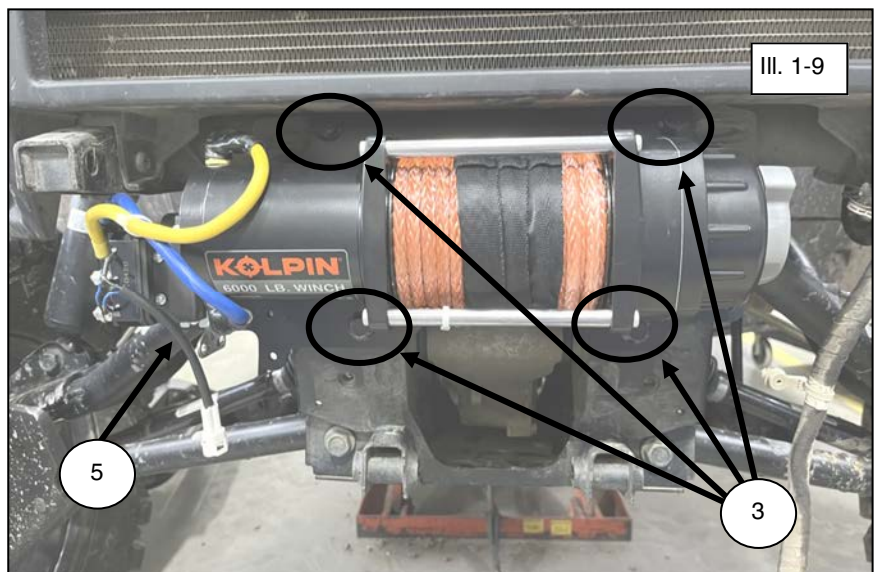
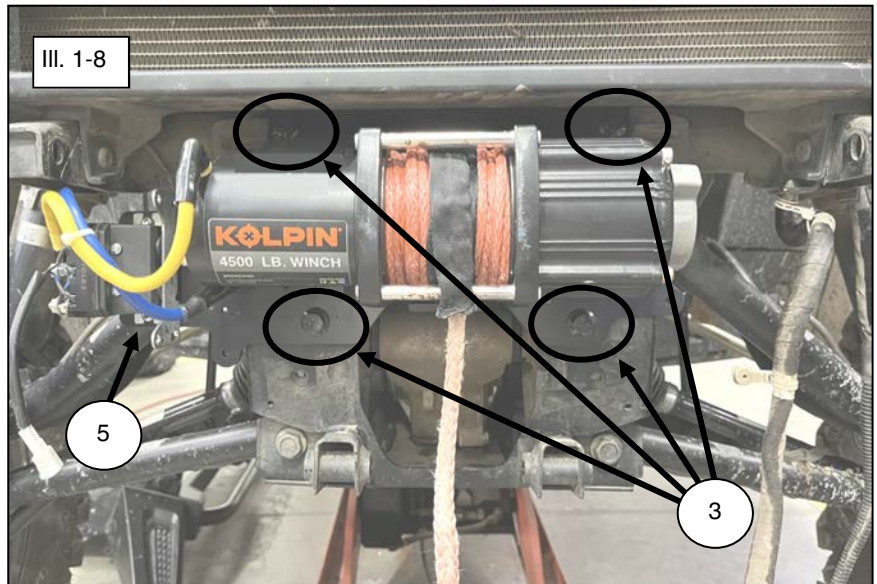
**Mount Winch Assembly to Frame
(continued):**

- Loosely attach winch assembly to vehicle using four M10 screws (item #3) as shown. (See illustrations 1-7, 1-8 and 1-9). **Note, contactor and custom-trimmed wires shown, not included.**
- Tighten all M10 fasteners to specification.

 = T
10MM FASTENER TORQUE: 34 ft. lbs. (46 Nm)

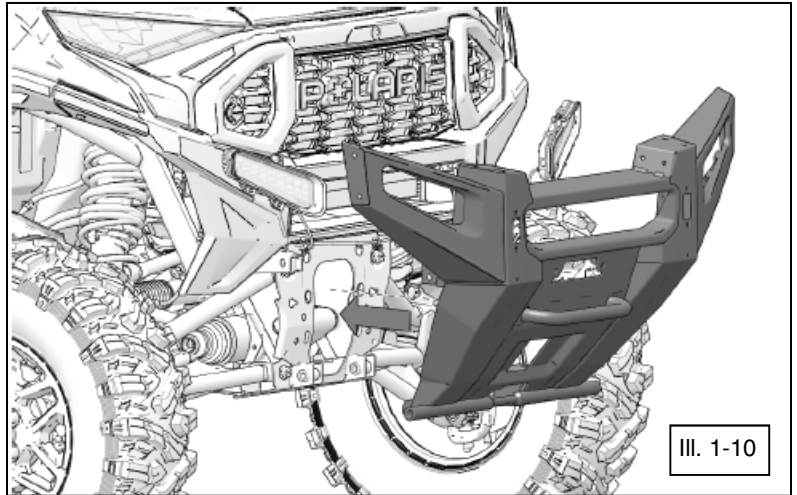



- Put winch clutch in freespool position and pull out three feet of rope to ease installation of the fairlead and hook. Shift winch back into gear and give rope a slight tug to engage gears.



Mount Winch Assembly to Frame (Continued):

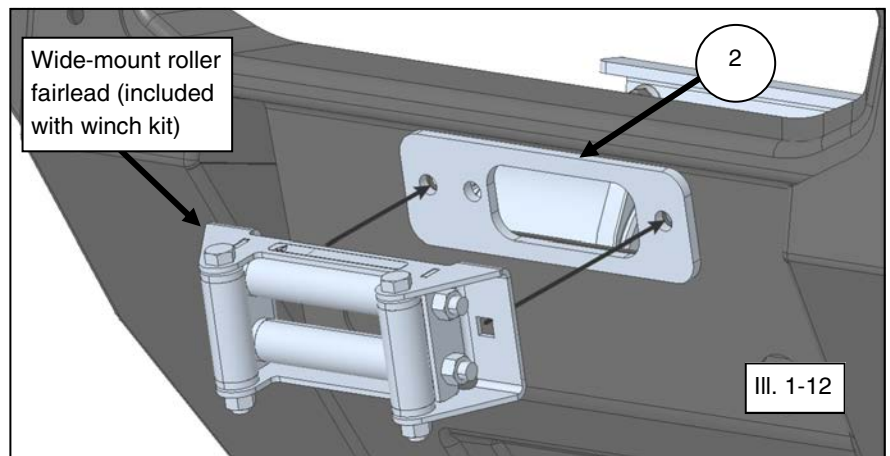
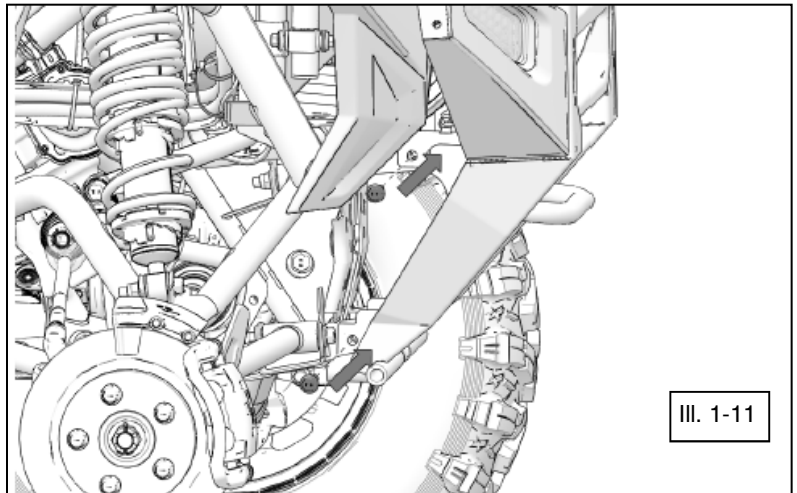
- Align front bumper with four mounting holes on vehicle. (See illustration 1-10). **Note, make sure rope is not pinched between bumper and chassis.**
- Loosely install four screws. After all four screws are installed, torque screws to specification. (See illustration 1-11). **Note: Right side is shown, left side is similar. Right front wheel is hidden for clarity.**




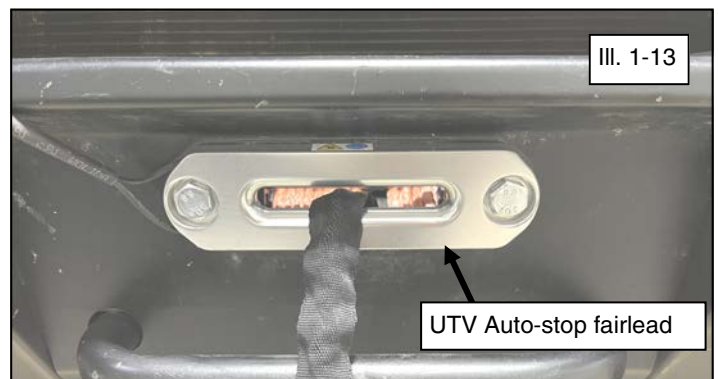
 = T
FRONT BUMPER FASTENER TORQUE: 33 ft. lbs. (45 Nm)

Roller Fairlead Mount Options:

- If installing a standard mount or wide-mount roller fairlead, use the fairlead adapter (item #2) to mount the roller fairlead. The roller fairlead adapter plate functions as a spacer block to allow fitment onto the bumper. Mount the assembly to the bumper as shown. (See illustration 1-12).
- If installing an auto-stop fairlead or a smooth hawse style fairlead, install the assembly directly to the bumper without using fairlead adapter (item #2). (See illustration 1-13).
- Pull the rope through fairlead. Using the fasteners included with winch kit or fairlead kit, install the fairlead assembly to bumper. **Note, make sure rope is not routed over tie bar or any other obstacle.**
- Tighten M8 fasteners to specification.



 = T
8MM FASTENER TORQUE: 17 ft. lbs. (23 Nm)

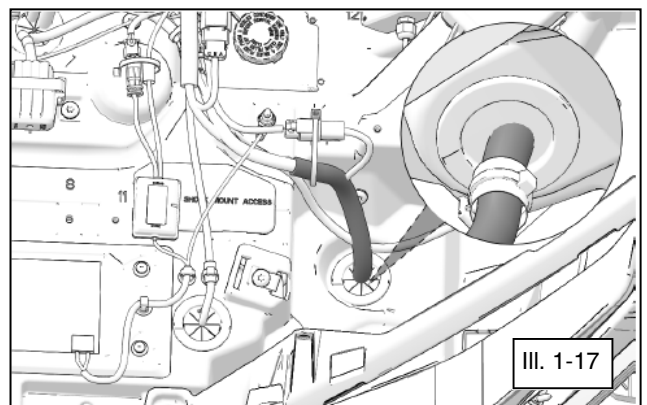
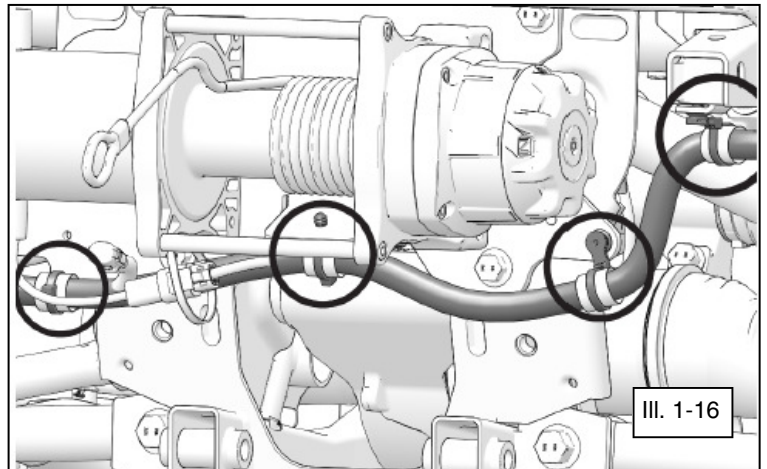
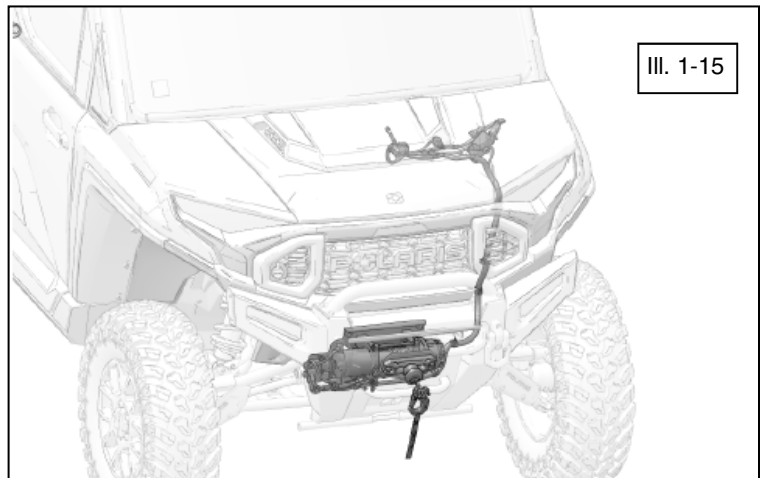


Winch Cable Wrap Installation on Spool Drum:

19. The winch cable or rope should be wrapped around the spool drum as shown. Spooling the cable as shown will prolong cable life and enhance winch performance. (See illustration 1-14).
20. Connect the hook to cable or rope by using hardware included in winch kit.

Winch Wiring and Connections:

21. Using the winch kit instructions, route and connect the electrical cables and components for the winch system.
22. Secure all harnesses using cable ties (provided with winch kit) to prevent contact with hot components, sharp edges or moving parts. See illustrations 1-15, 1-16 and 1-17 for harness overview.
23. Restore hood access.
24. Corded remote control harness could be installed into the glovebox as shown. (See illustration 1-18).





One Year Limited Warranty

For the period of one (1) year from the purchase date, Kolpin will replace for the original purchaser, free of charge, any part or parts found upon examination by Kolpin to be defective in material, workmanship, or both.

All transportation costs incurred submitting product to Kolpin for warranty consideration must be borne by the purchaser. If Kolpin determines that the product must be returned to the factory for credit, please call 1-877-956-5746 for a Return Merchandise Authorization (RMA) number and shipping instructions.

This warranty does not apply to parts that have been damaged by accident, alteration, abuse, improper maintenance, normal wear, or other causes beyond the manufacturer's control. In order to protect you and your ATV, certain parts of the accessory system and/or hardware are designed to fail when the equipment is over-stressed. Parts that are lost due to loosening and improper maintenance are not covered under warranty. This warranty does not cover removal or reinstallation labor fees of the plow system and related components.

Peripheral products such as engines, electric motors, and actuators may carry an original manufacturer's warranty. Most hardware is general in nature and is easily obtained locally. Be sure to replace with minimum metric class 8.8 specification.

Kolpin Outdoors, Inc.

Telephone: (763)-478-5800

Toll Free: (877)-956-5746

Fax Number: (800)-245-7569

www.kolpin.com

Email: customerservice@kolpin.com