



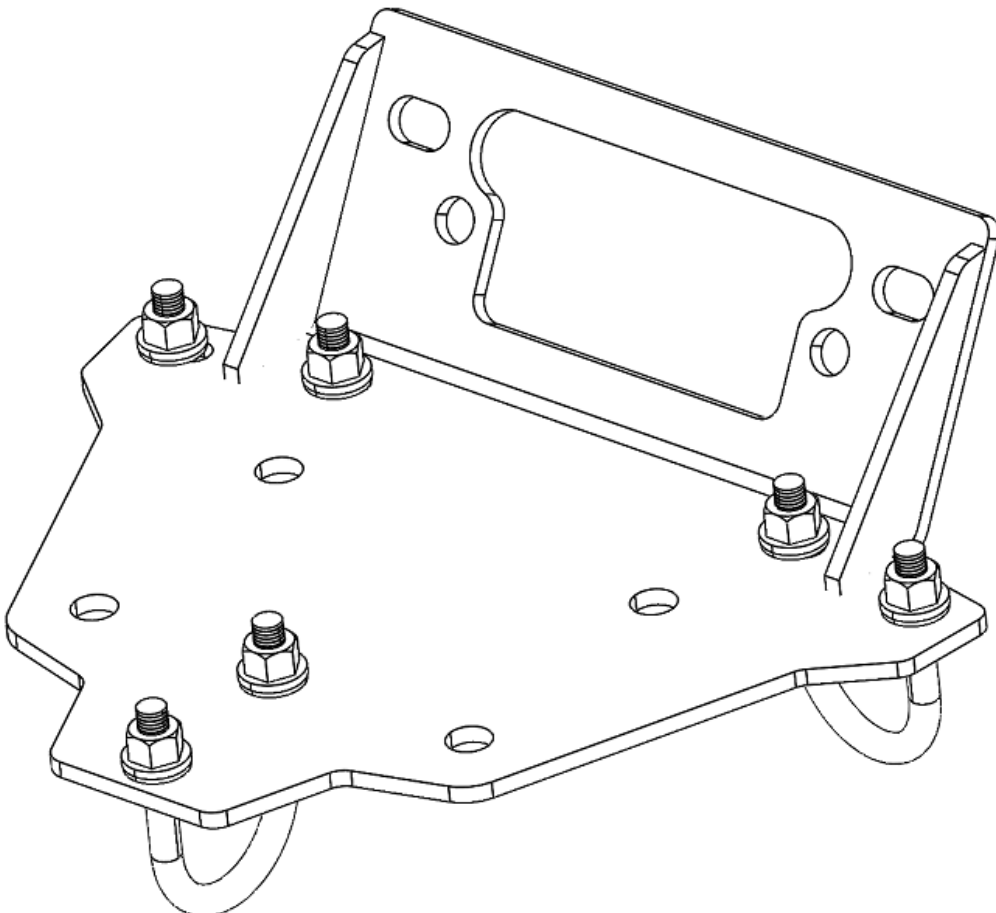
CYCLE COUNTRY
A KOLPIN POWERSPORTS BRAND

Winch Mount Kit

For Can-Am Maverick

Assembly / Owner's Manual

Part No. 25-7080



OPERATING INSTRUCTIONS

Congratulations!

You've just purchased the most durable accessory component in the industry. Our accessories work great all year round! With proper care and maintenance, your Cycle Country accessory will last for years to come!

Please read and understand all assembly instructions, notices and warnings before assembling and using your Cycle Country accessory.

Follow these guidelines to ensure a successful and satisfactory installation:

- Read, understand this manual before beginning installation
- Periodically check for wear and tightness of all fasteners. Replace or re-torque fasteners as necessary.

SAFETY & GENERAL PRODUCT INFORMATION

Cycle Country accessories are designed with your safety in mind.

In order to protect you and your vehicle, certain parts of the accessory and/or hardware may be designed to collapse or break when the equipment is over-stressed.

Cycle Country winch mount kits are designed to be compatible with Cycle Country winches and many others, but may not be compatible with some winches.

Cycle Country winch mount kits have design features that benefit snow plow applications.



! DANGER ! ! WARNING ! ! CAUTION !

To avoid personal injury or damage to your vehicle:

Read and understand all notices for:

- Caution
- Warning
- Danger

Follow instructions for your vehicle, winch, winch mount and other items used in combination with this product.

Do not winch unsecured loads at any time.

Disconnect battery during winch installation or service to prevent electrical hazards.

Do not lift loads overhead.

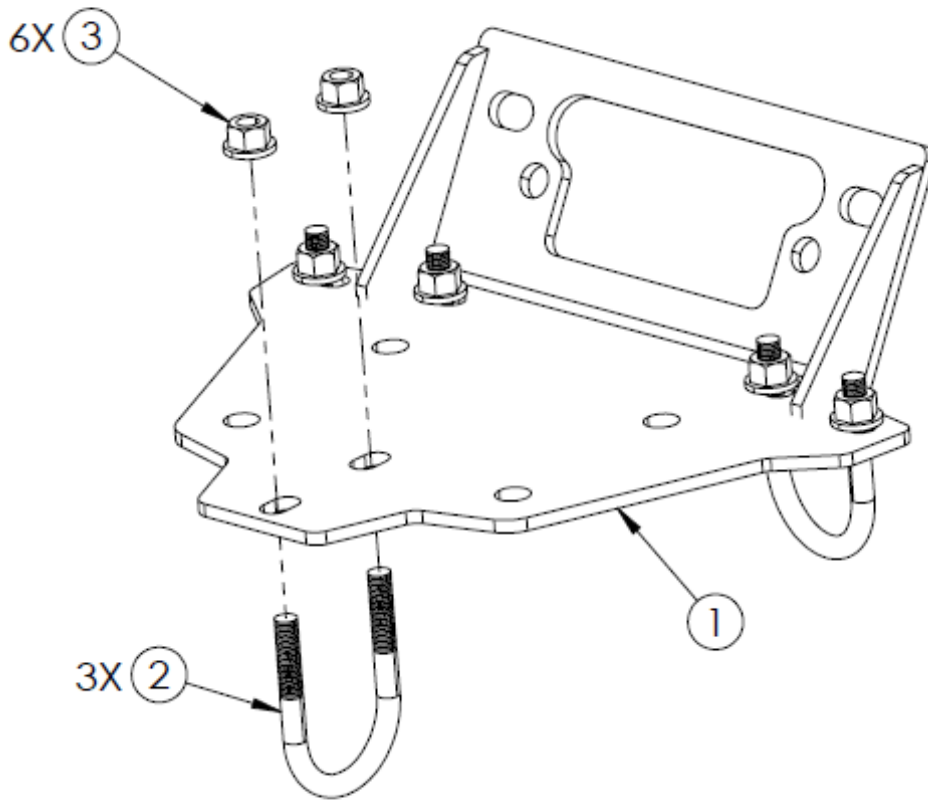
Do not exceed the load capacity of the winch.

Always wear gloves when handling wire winch cable.

Do not use your winch or winch mount for towing.

Do not shock load the winch, cable or winch mount.

Keep fingers, hands and loose clothing away from roller fairlead and winch cable drum when in use.



**Model Number 25-7080
Parts List**

ITEM NO.	QTY.	PART NUMBER	DESCRIPTION
1	1	25-7080-CP03	WELD-BRACKET, WINCH
2	3	PUR3192	U-BOLT, M8-1.25 X 40MM X 65MM
3	6	PUR3074	NYLON FLANGE LOCK NUT M8-1.25

Hardware Package 25-7080HDWE

PARTS ORDERING INFORMATION:
 Replacement fasteners are common-type and can be purchased locally.
 Use minimum metric 8.8 zinc-coated fasteners.

Before you begin:

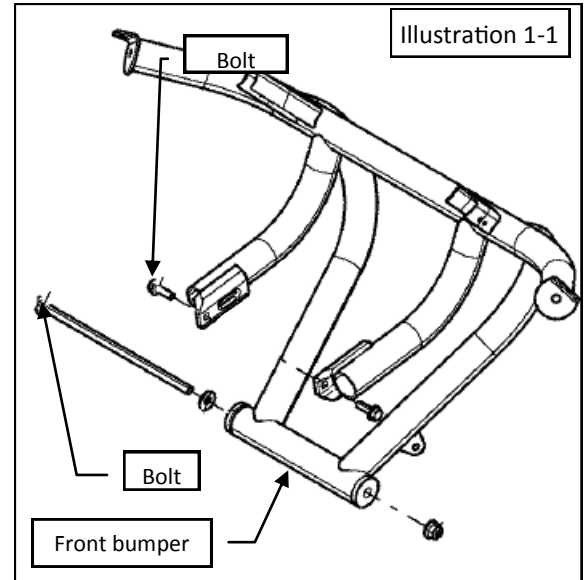
- Read and understand all instructions.
- Verify all parts and hardware are accounted for before beginning installation.
- Reference to Left and Right are from a driver's perspective.

Tools required:

- 13mm socket and 13mm wrench
- 15mm socket and 15mm wrench

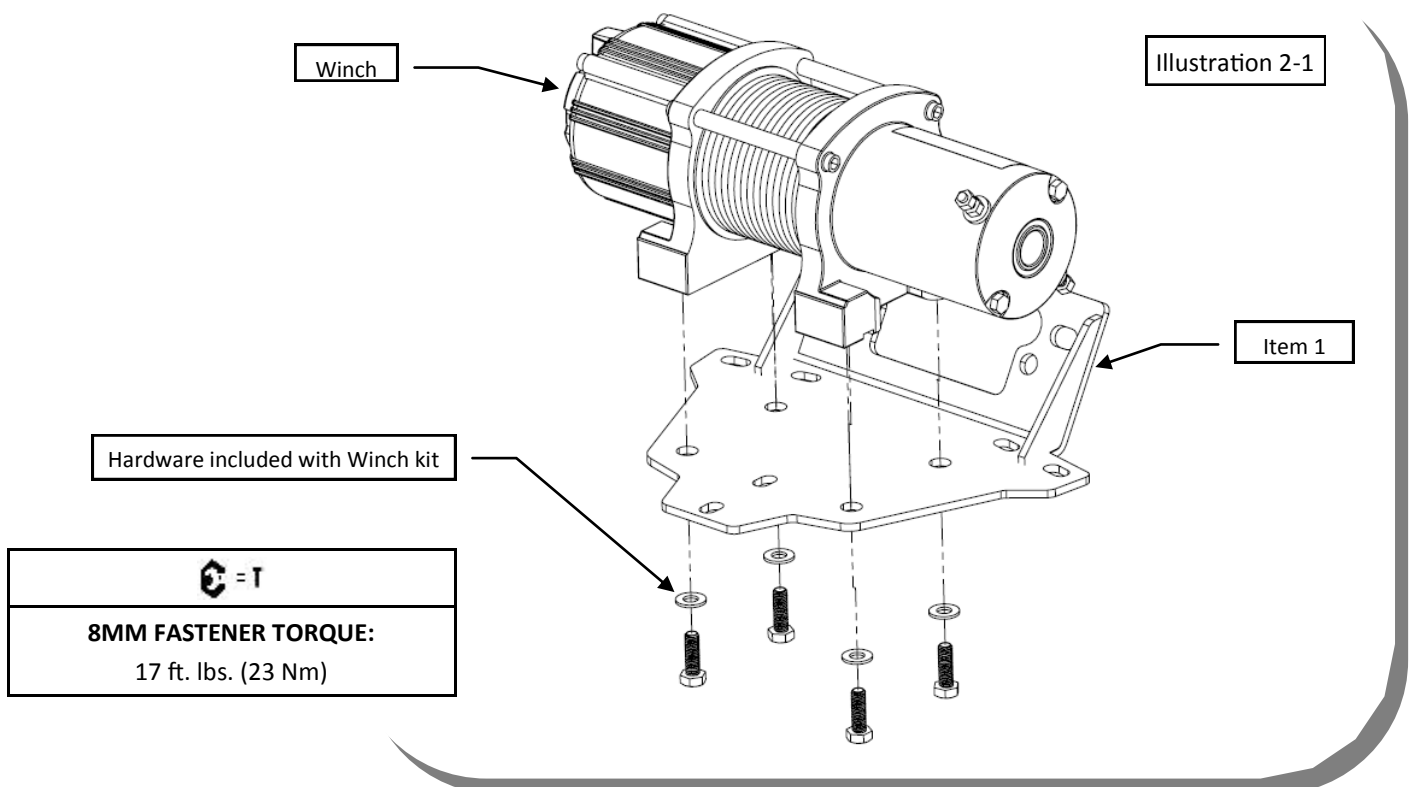
Installation Prep:

1. To gain access to install winch assembly, detach the front bumper from the vehicle. Remove the top two bolts and long bottom bolt as shown. Save fasteners for re-install later. (See Illustration 1-1).



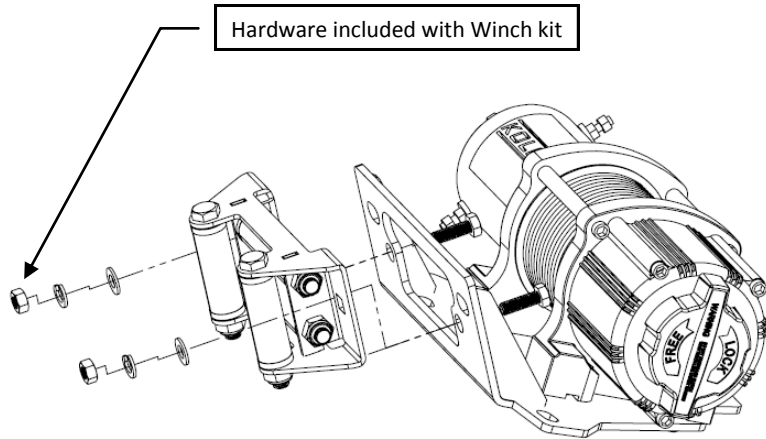
Winch Assembly:

1. Install the winch to the winch mount plate, item 1, using the bolts and washers included with your winch kit as shown. Tighten to specification. (See Illustration 2-1).



Roller Fairlead Installation:

1. Install the roller fairlead onto the front of the winch mount plate as shown. Use the roller fairlead and hardware included in the winch kit for this step. Tighten to specification. (See Illustration 2-2).




 = T
8MM FASTENER TORQUE: 17 ft. lbs. (23 Nm)

Illustration 2-2

Winch Cable Wrap Installation on Spool Drum:

1. The winch cable or rope should be wrapped around spool drum as shown. Spooling the cable as shown will prolong cable life and enhance winch performance. (See Illustration 3-1).
2. Connect the hook to cable or rope by using hardware included in winch kit.

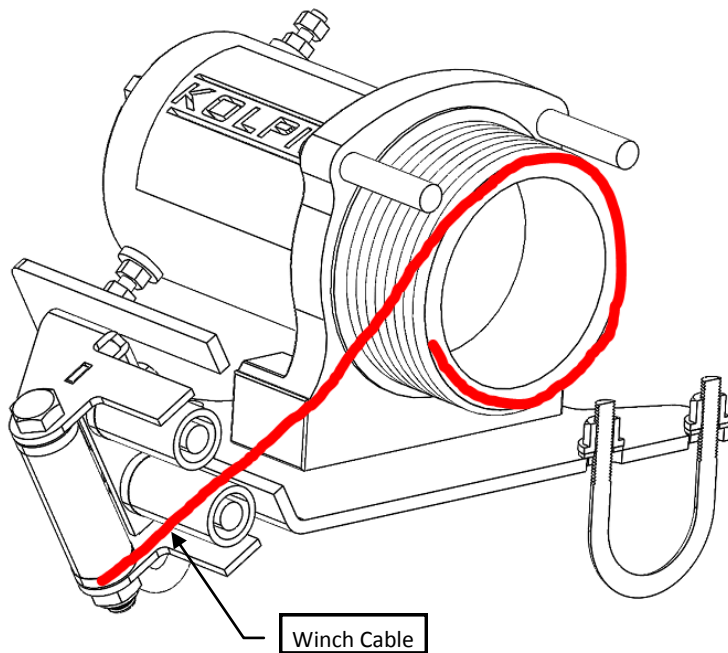



Illustration 3-1

Winch Installation:

1. Install mount and winch assembly to the front bumper using the U-bolts and nuts provided with the hardware kit as shown. Tighten all M8 u-bolts to specification. (See Illustration 4-1).
Note, the heads of the bolts holding the winch to plate will hit the bumper tubes.

 = T
8MM FASTENER TORQUE: 17 ft. lbs. (23 Nm)



2. Re-install front bumper using OEM fasteners following step 1 in reverse order.



One Year Limited Warranty

For the period of one (1) year from the purchase date, Cycle Country (a Kolpin Powersports Brand) will replace for the original purchaser, free of charge, any part or parts found upon examination by Cycle Country to be defective in material, workmanship, or both.

All transportation costs incurred submitting product to Cycle Country for warranty consideration must be borne by the purchaser. If Cycle Country determines that the product must be returned to the factory for credit, please call 1-800-841-2222 for a Return Merchandise Authorization (RMA) number and shipping instructions.

This warranty does not apply to parts that have been damaged by accident, alteration, abuse, improper maintenance, normal wear, or other causes beyond the manufacturer's control. In order to protect you and your ATV, certain parts of the plow system and/or hardware are designed to fail when the equipment is over-stressed.

Peripheral products such as engines, electric motors, and actuators may carry an original manufacturer's warranty. Please call Cycle Country for more information.

Cycle Country

A Kolpin Powersports Brand

Service: 1-800-841-2222

Fax: 1-800-245-7569

Email: ccac@cyclecountry.com

Web: www.cyclecountry.com

Email: ccac@cyclecountry.com

Web: www.cyclecountry.com