



WINCH MOUNT KIT

FOR CAN-AM MAVERICK X3

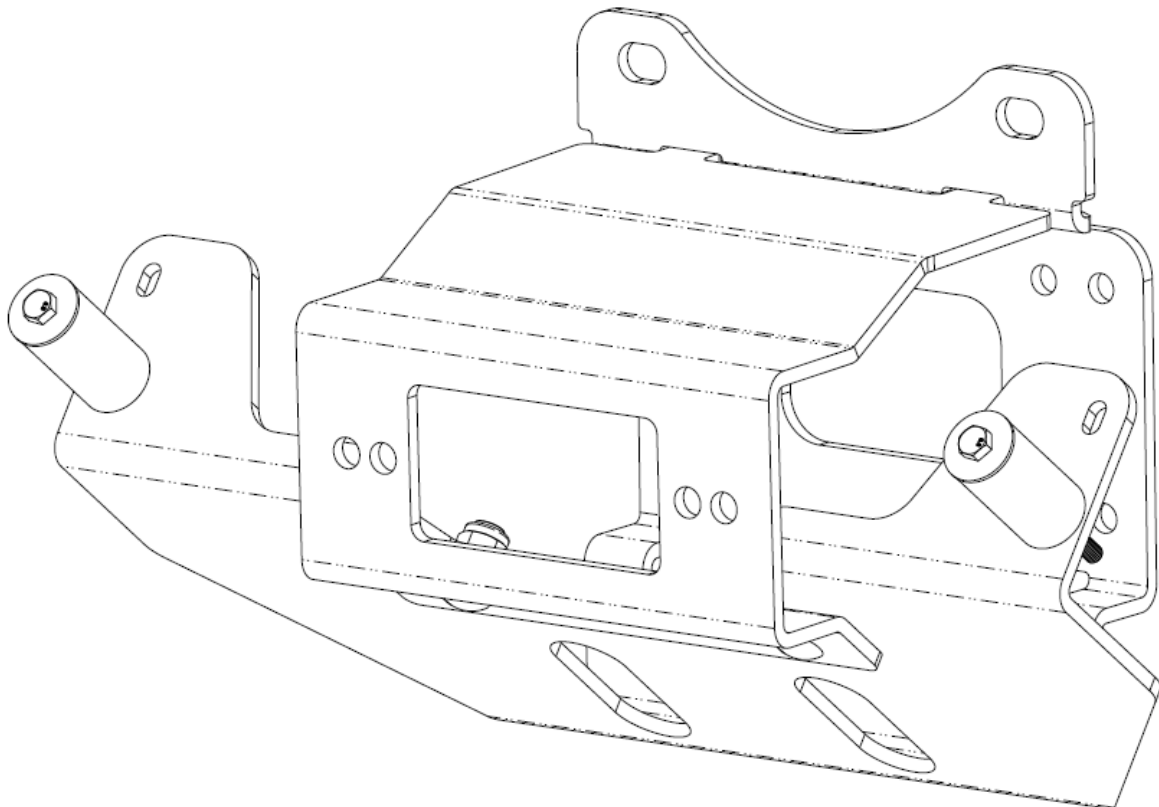
P/N 25-7090

ASSEMBLY / OWNERS MANUAL

Application

WINCH KIT NO. 25-9xxx

Before you begin, please read these instructions and check to be sure all parts and tools are accounted for. The following instructions contain details required to install and service the contents of this kit.



OPERATING INSTRUCTIONS

Congratulations! You've just purchased the most durable accessory component in the industry. Our accessories work great all year round! With proper care and maintenance, your Kolpin accessory will last for years to come! Please read and understand all assembly instructions, notices and warnings before assembling and using your Kolpin accessory.

Follow these guidelines to ensure a successful and satisfactory installation:

Read, understand this manual before beginning installation

Periodically check for wear and tightness of all fasteners.

Replace or re-torque fasteners as necessary.

SAFETY & GENERAL PRODUCT INFORMATION

Kolpin accessories are designed with your safety in mind.

In order to protect you and your vehicle, certain parts of the accessory and/or hardware may be designed to collapse or break when the equipment is over-stressed.

Kolpin winch mount kits are designed to be compatible with Kolpin and Cycle Country winches along with many others, but may not be compatible with some winches. Kolpin winch mount kits have design features that benefit snow plow applications.



! DANGER ! ! WARNING ! ! CAUTION !

To avoid personal injury or damage to your vehicle:

Read and understand all notices for:

Caution

Warning

Danger

Follow instructions for your vehicle, winch, winch mount and other items used in combination with this product.

Do not winch unsecured loads at any time.

Disconnect battery during winch installation or service to prevent electrical hazards.

Do not lift loads overhead.

Do not exceed the load capacity of the winch.

Always wear gloves when handling wire winch cable.

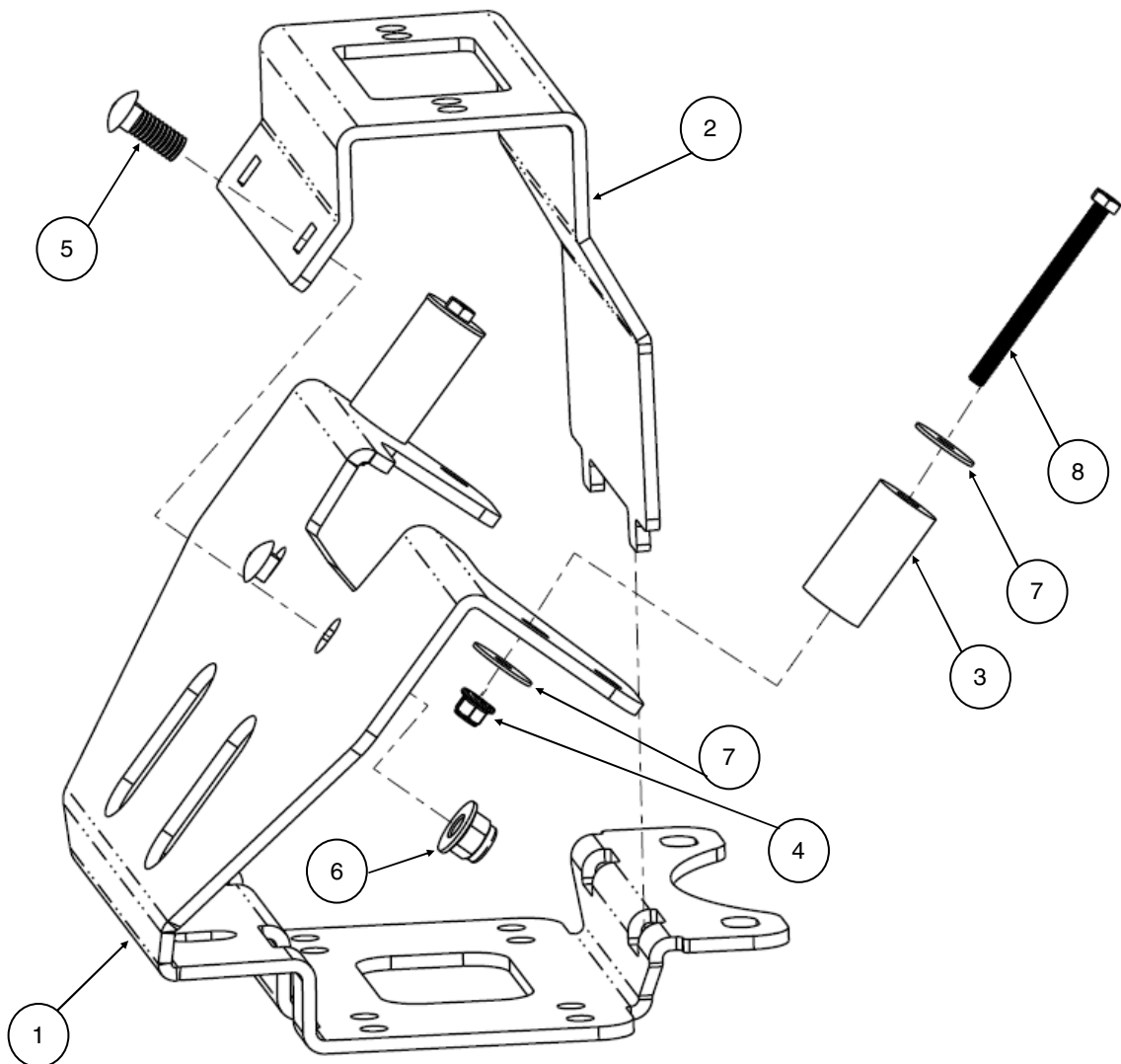
Do not use your winch or winch mount for towing.

Do not shock load the winch, cable or winch mount.

Keep fingers, hands and loose clothing away from roller fairlead and winch cable drum when in use.

Kit Contents:

Item	Qty	Part Description	Part Number
1	1	Winch Bracket	-
2	1	Fairlead Adapter Bracket	-
3	2	Spacer, Zinc Plated	-
4	2	Locknut, Zinc Plated, M6-1.0	-
5	2	Carriage Bolt, Zinc Plated, M10-1.5 x 25mm LG	-
6	2	Locknut, Zinc Plated, M10-1.5	-
7	4	Fender Washer, Zinc Plated, M6	-
8	2	Hex Bolt, Zinc Plated, M6-1.0 x 80mm LG	-
9	1	Instruction Guide (not shown)	-



BEFORE YOU BEGIN:

- Your Kolpin accessory is exclusively designed for your vehicle
- Please read and understand all instructions
- Verify all parts and tools are accounted for
- To ensure a satisfactory installation, follow all steps correctly and in the sequence described
- Keep these instructions for future reference or for informational requests
- To facilitate installation, make sure that your vehicle is clean and free of debris
- All directions referring to right and left are when the rider is sitting on the machine

TOOLS REQUIRED:

- Basic Metric wrench and socket set
- Torx bit tools
- Pliers
- Hand Torque Wrench
- Do not use impact tools to install hardware

APPROXIMATE ASSEMBLY TIME: 30 minutes

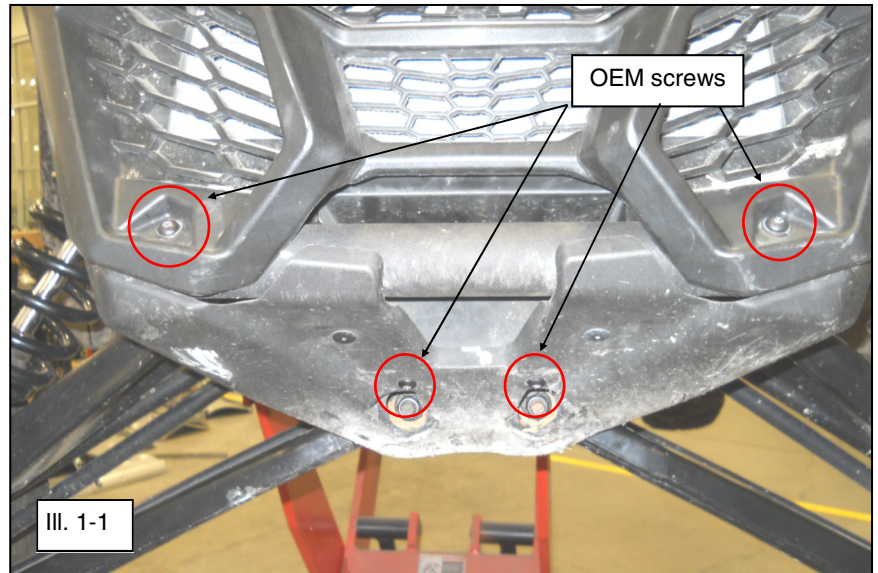
Note: Additional time may be required to accommodate other installed accessories.

Note: Installation requires a qualified mechanic.

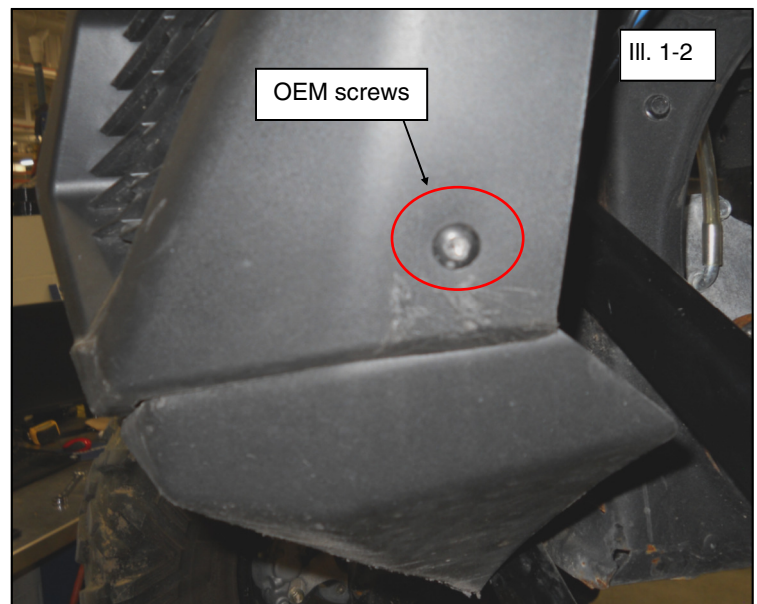
Note: If any hardware is missing, do not return to the store. Call us to help, Toll Free 1-877-956-5746.

Installation Prep:

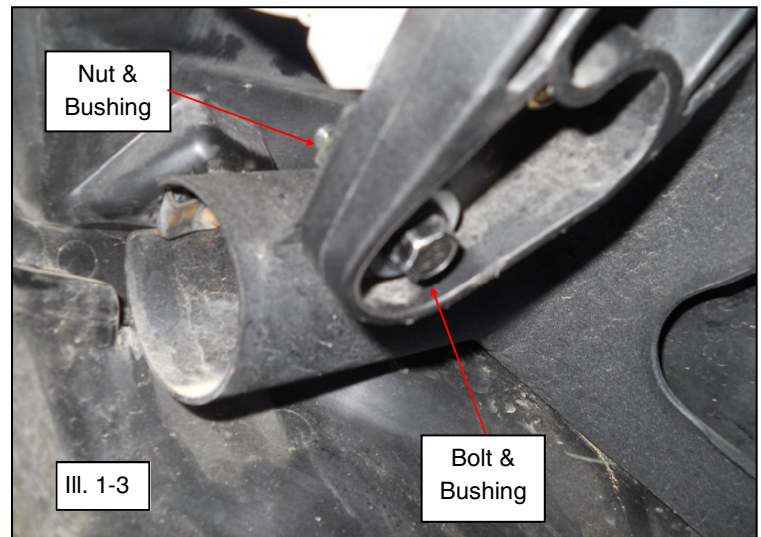
1. Shift vehicle transmission into PARK. Turn ignition key to OFF position and remove from ignition switch.
2. Disconnect black negative (-) cable from battery.
3. Access is gained if front of vehicle is lifted and positioned off of the ground with frame lift stand or floor jack.



4. Remove the OEM T40 torx head screws securing the front and side of the grille to the frame mounting bracket as shown. Retain screws for reinstall later. (See illustrations 1-1 and 1-2).

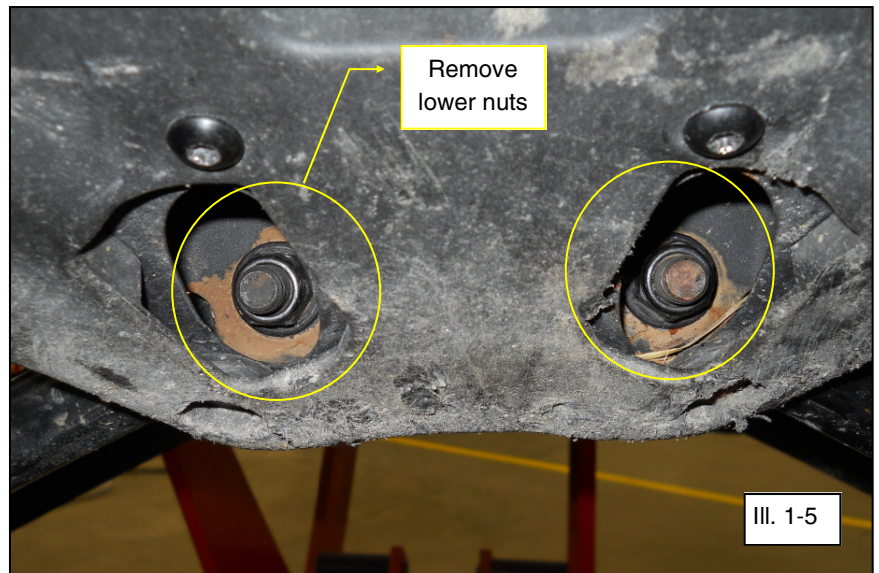
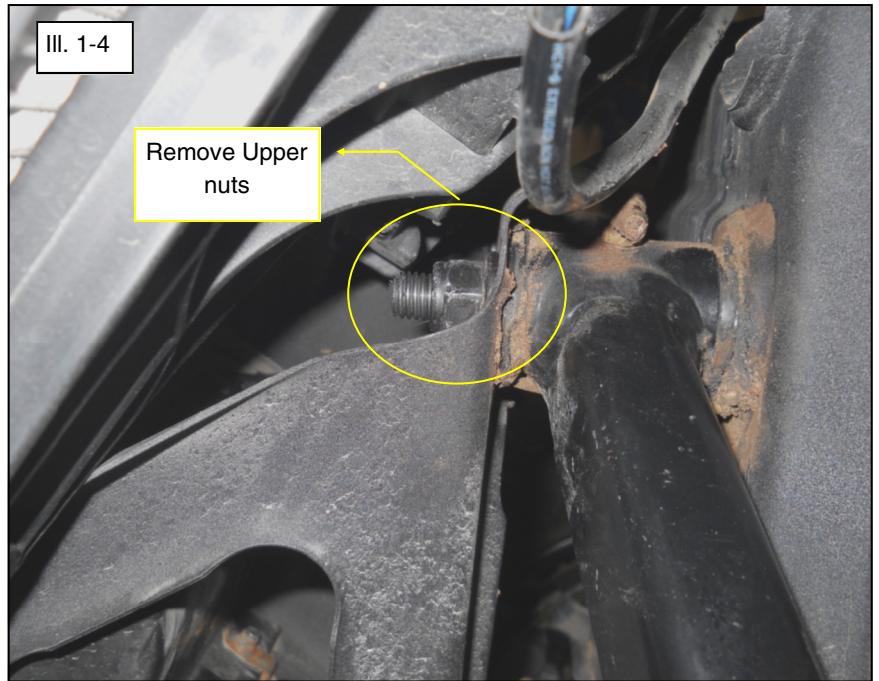


5. Remove the bolt/nut securing the lower fan mount to the bracket assembly as shown. Retain screws for reinstall later. (See illustration 1-3). **Note, please retain the aluminum bushings on each side of the rubber grommet for reinstall later.**



Installation Prep (Continued):

6. Remove the four nuts securing the bumper bracket to the front control arms. Retain OEM hardware for reinstall later. (See illustrations 1-4 and 1-5). **Note, the upper set is two bolts/nuts and the lower set is two studs/nuts.**





7. Leave the control arms positioned on the bolts and studs as shown. The OEM front bumper bracket removed will not be reinstalled. (See illustration 1-6).

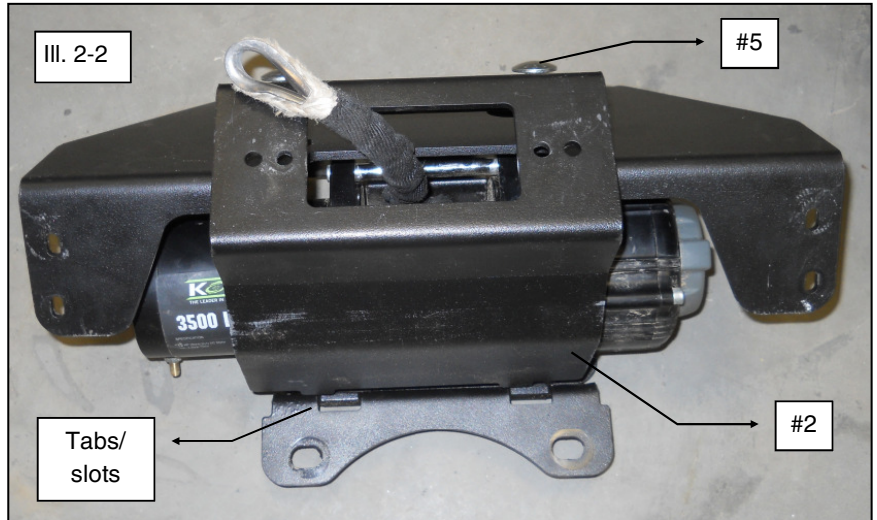
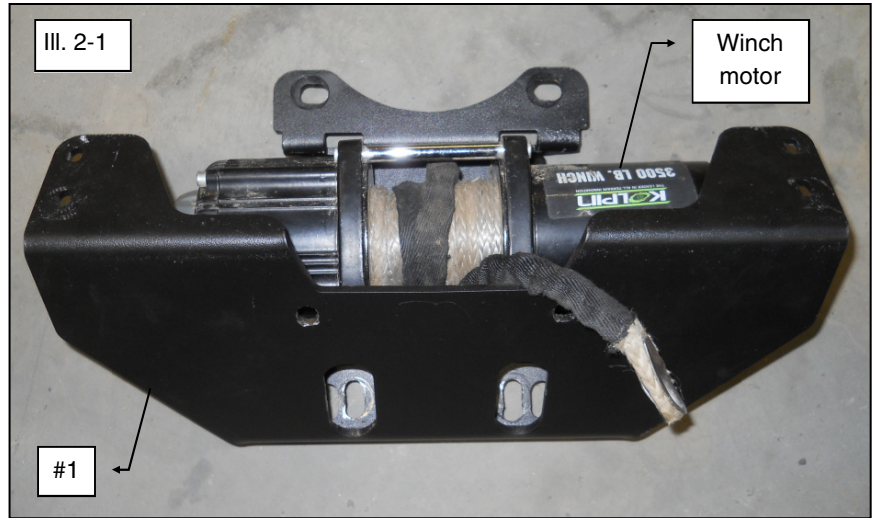


Winch Mount Options:

8. The Kolpin winch mount 25-7090 has two winch mounting options. One hole pattern for standard width winches and one hole pattern for wide mount winches.
9. If installing a standard mount winch style, install the winch bracket (item #1) as shown with electric motor positioned as shown. Assemble the winch to the mount plate using the M8 hardware provided in the winch kit. (See illustration 2-1).
10. Using the M10 carriage bolt (item #5) and M10 locknut (item #6), assemble and fasten the fairlead adapter bracket (item #2) to the winch bracket as shown. (See illustration 2-2). **Note, the tabs on the fairlead bracket fit into the slots at the top of the winch bracket.**
11. Tighten M8 and M10 fasteners to specifications.


 = T
8MM FASTENER TORQUE: 17 ft. lbs. (23 Nm)

 = T
10MM FASTENER TORQUE: 34 ft. lbs. (46 Nm)



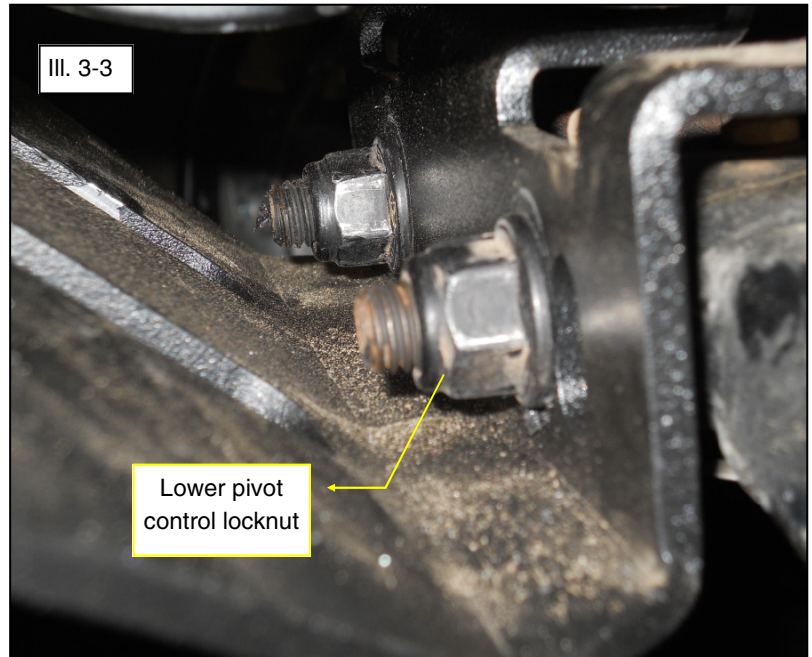
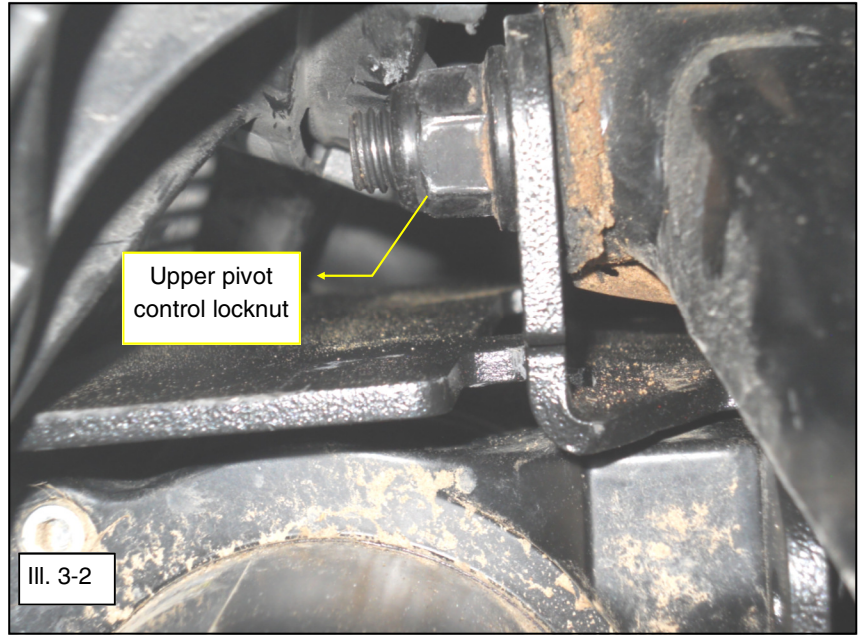
Mount Winch Assembly to Frame:

12. Install winch assembly onto the lower control arm studs and loosely install the OEM pivot locknuts as shown. Then lift assembly upwards to meet the upper control arm mounting area, then push the upper control arm bolts forward and thru the winch bracket. Secure the upper half with the OEM pivot locknuts. (See illustrations 3-1, 3-2 and 3-3).
13. Tighten the upper pivot control arm hardware first to OEM specification then tighten the lower pivot control hardware to OEM specification.

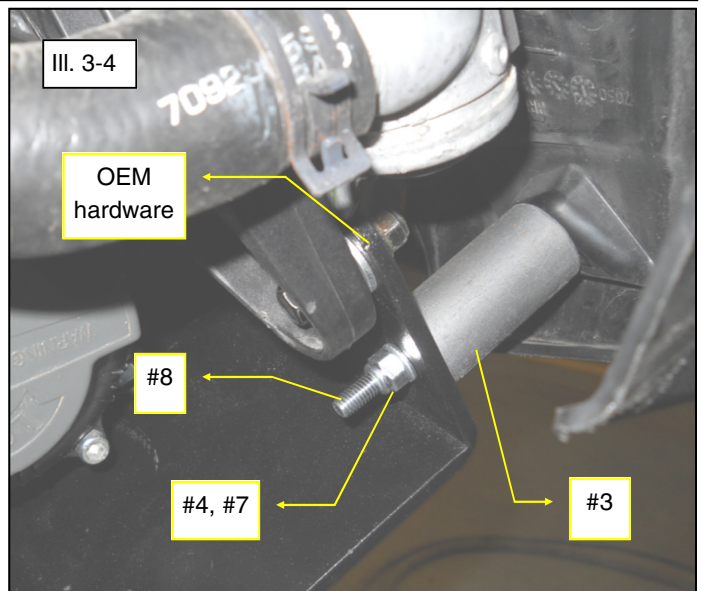
 = T
OEM PIVOT FASTENER TORQUE: 77 ft. lbs. (104 Nm)

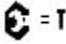


Mount Winch Assembly to Frame (Continued):




14. Reinstall the OEM hardware to secure the lower fan mount to the Kolpin winch bracket. Be sure to install the aluminum bushings with OEM hardware as shown. (See illustration 3-4).
15. Install the long spacers (item #3) between the bottom grille tab and the winch bracket. Fasten together using the M6 fender washers (item #7), M6 bolt (item #8) and M6 locknuts (item #4) as shown. Tighten to specification. (See illustration 3-4).



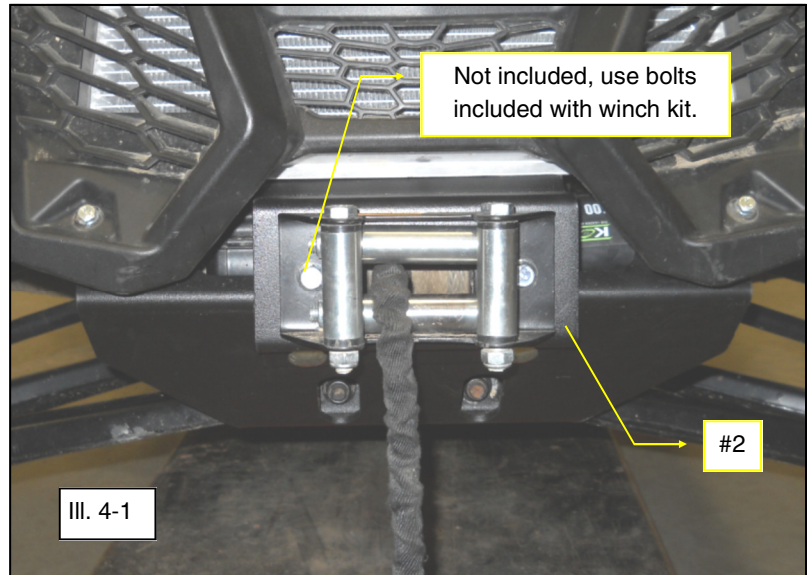

6MM FASTENER TORQUE: 6 ft. lbs. (8 Nm)

Roller Fairlead Mount Options:

16. If installing a standard mount roller fairlead, use the inside holes of the fairlead adapter (item #2) to mount the roller fairlead. Mount the assembly to the bumper as shown. (See illustration 4-1).
17. Tighten M8 fasteners to specification.

 = T
8MM FASTENER TORQUE: 17 ft. lbs. (23 Nm)

19. If installing a wide mount roller fairlead, install the assembly directly to fairlead adapter (item #2) using the outside holes.

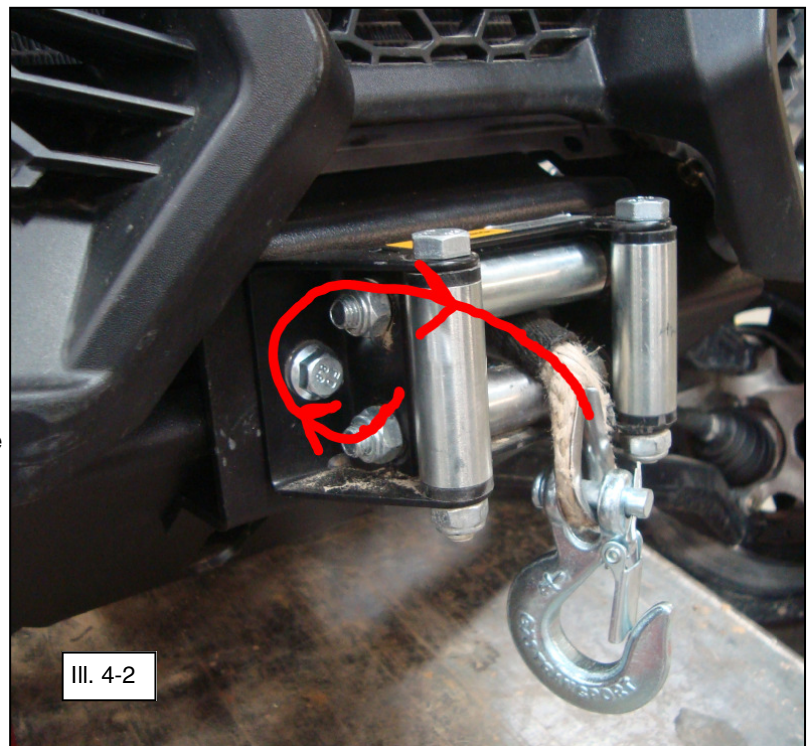


Winch Cable Wrap Installation on Spool Drum:

20. The winch cable or rope should be wrapped around the spool drum as shown. Spooling the cable as shown will prolong cable life and enhance winch performance. (See illustration 4-2).
21. Connect the hook to cable or rope by using hardware included in winch kit.

Winch Wiring and Connections:

22. Using the winch kit instructions, route and connect the electrical cables and components for the winch system.
23. Secure all harnesses using cable ties (provided with winch kit) to prevent contact with hot components, sharp edges or moving parts.
24. Reconnect black negative (-) cable to battery.





One Year Limited Warranty

For the period of one (1) year from the purchase date, Kolpin will replace for the original purchaser, free of charge, any part or parts found upon examination by Kolpin to be defective in material, workmanship, or both.

All transportation costs incurred submitting product to Kolpin for warranty consideration must be borne by the purchaser. If Kolpin determines that the product must be returned to the factory for credit, please call 1-877-956-5746 for a Return Merchandise Authorization (RMA) number and shipping instructions.

This warranty does not apply to parts that have been damaged by accident, alteration, abuse, improper maintenance, normal wear, or other causes beyond the manufacturer's control. In order to protect you and your ATV, certain parts of the accessory system and/or hardware are designed to fail when the equipment is over-stressed. Parts that are lost due to loosening and improper maintenance are not covered under warranty. This warranty does not cover removal or reinstallation labor fees of the plow system and related components.

Peripheral products such as engines, electric motors, and actuators may carry an original manufacturer's warranty. Most hardware is general in nature and is easily obtained locally. Be sure to replace with minimum metric class 8.8 specification.

Kolpin Outdoors, Inc.

Telephone: (763)-478-5800

Toll Free: (877)-956-5746

Fax Number: (800)-245-7569

www.kolpin.com

Email: customerservice@kolpin.com