

POLARIS RANGER XP 900 / XP 1000 REAR PANEL WINDSHIELD



Product Instructions | Part No: 2634

Application: Polaris Ranger XP 900 / XP 1000, verify accessory fitment at Kolpin.com.

This Kit Includes:

Before You Begin: Read these instructions and check to be sure all parts and tools are accounted for. Please retain these instructions for future reference and parts ordering information.

Item	Description	Qty
1	Rear Windshield Panel	1
2 *	Lower Panel Bracket	2
3 *	Upper Thin Foam Gasket 51" (1295mm) LG	1
4 *	Lower Thin Foam Gasket 54.3" (1380mm) LG	1
5 *	Side Thick Foam Gasket	2
6 *	Hex Flange Locknut, M6 - 1.0	2

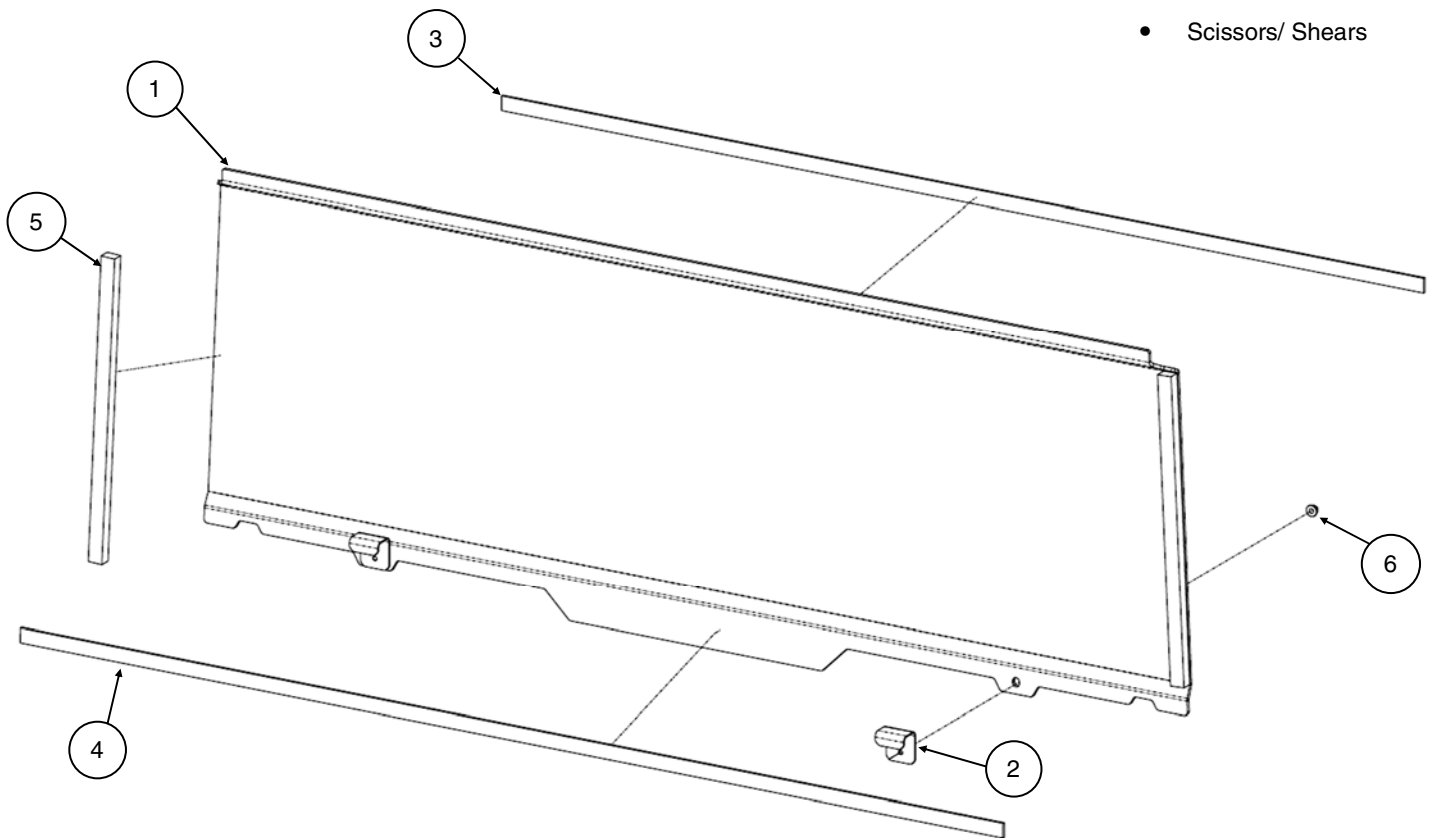
Note: If any hardware is missing, do not return to the store. Call us to help, Toll Free 1-877-956-5746.

Note: Two people are required to install this Windshield Kit.

Items marked (*) are included in Hardware Kit PN 2634-CP02.

Tools Required:

- Metric Socket Set
- Metric Wrench Set
- Torque Wrench
- Scissors/ Shears



Kolpin Outdoors, Inc. | 9955 59th Ave N | Plymouth, MN 55442

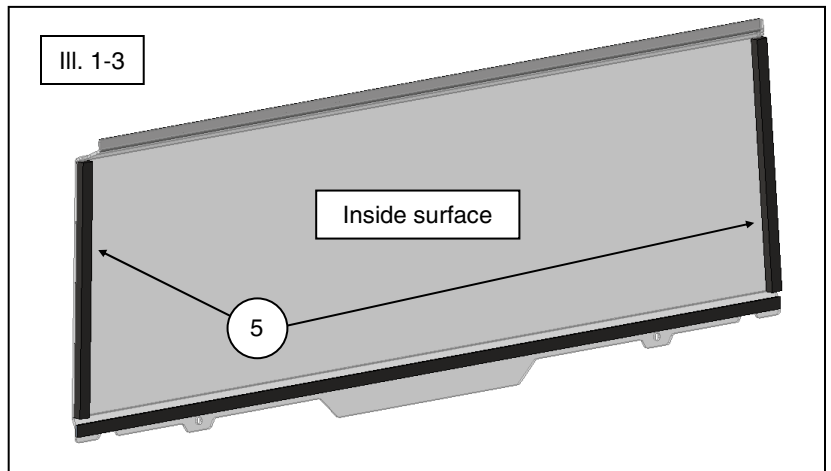
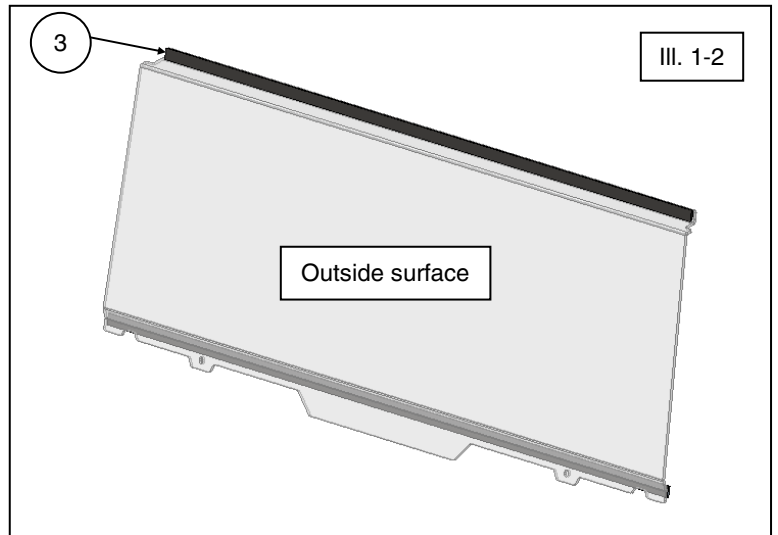
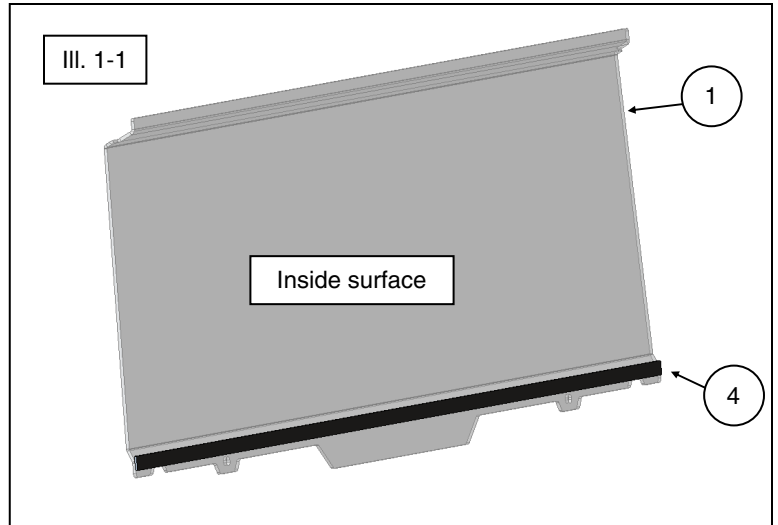
(877) 956-5746 or (763) 478-5800 | www.kolpin.com | customerservice@kolpin.com

Assembly Time: Approximately 12 minutes

Important: Your Kolpin Windshield Back Panel Kit is exclusively designed for your vehicle. Please read the installation instructions thoroughly before beginning. Installation is easier if the vehicle is clean and free of debris. For your safety, and to ensure a satisfactory installation, perform all installation steps correctly in the sequence shown. For better cab assembly procedure, install kit in the following order: Front window, rear window, and roof. Keep hands clean and free of grease and dirt when handling glass and plastic products.

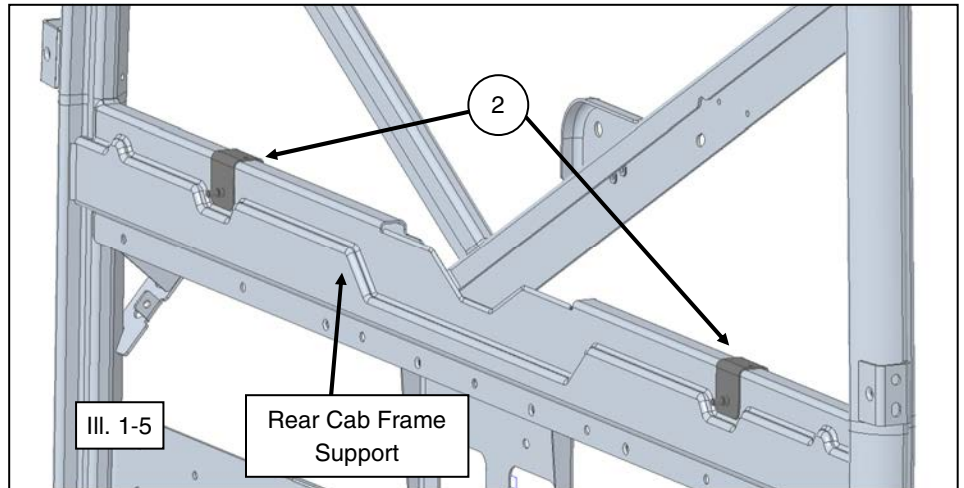
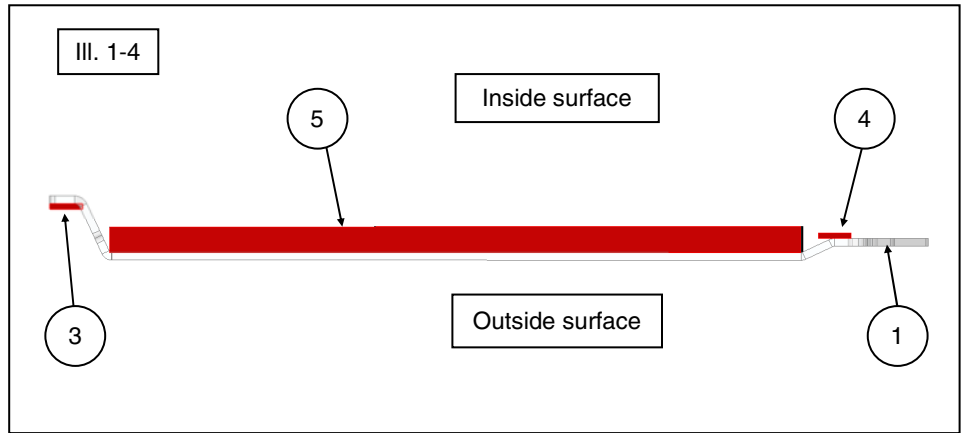
Installation Instructions:


1. Shift vehicle transmission into PARK. Turn key to OFF position and remove from vehicle.
2. Carefully remove the Windshield panel from the box and place on a clean flat surface that won't scratch the windshield. We recommend leaving the protective film on both sides of the Windshield panel during assembly and only partially peeling it back in locations where mounting components are attached.
3. On the bottom edge, peel back ~2 inches of protective film from the inside and outside surfaces. Press the longer thin foam gasket seal (item #4) into position along the bottom inside edge as shown. (See illustrations 1-1, 1-3 and 1-4.) **Note: If needed, cut the end to length using shears or a scissors.**
4. On the top edge, peel back ~2 inches of protective film from the inside and outside surfaces. Press the shorter thin foam gasket seal (item #3) into position along the top outside edge as shown. (See illustrations 1-2 and 1-4.) **Note: If needed, cut the end to length using shears or a scissors.**
5. On the side edges, peel back ~2 inches of protective film from the inside and outside surfaces. Press the thick foam gasket seals (item #5) into position along the side inside edges as shown. (See illustrations 1-3 and 1-4.) **Note: If needed, cut the end to length using shears or a scissors.**



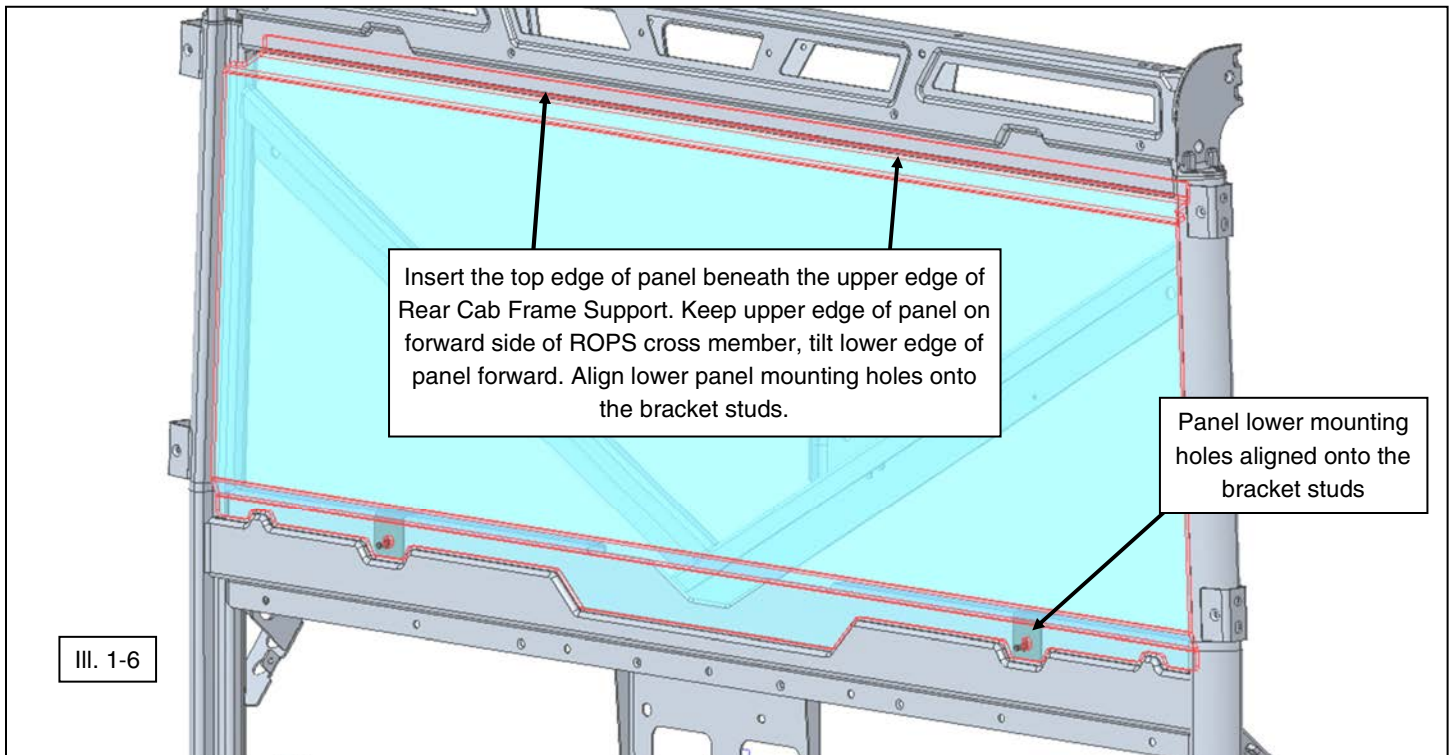
Installation Instructions (continued):

6. Place the steel panel brackets (item #2) into the approximate locations indicated on the rear cab frame of the vehicle without hardware as shown. Make sure the clamps are orientated as shown. (See illustration 1-5). **Note: Some components are hidden for clarity.**
7. Remove the protective film completely and place rear windshield panel (item #1) onto rear cab frame. Insert the top edge of the panel beneath the upper rear cab frame support. While keeping upper edge of panel on forward side of ROPS cross member, tilt lower edge of panel forward. Place lower edge holes onto bracket studs and adjust the panel to the most centered position. Install windshield to the brackets (item #2) using the M6 locknuts (item #6) as shown. (See illustrations 1-6 and 1-7). **Note: Some items are hidden for clarity.**
8. Tighten hardware to specification.



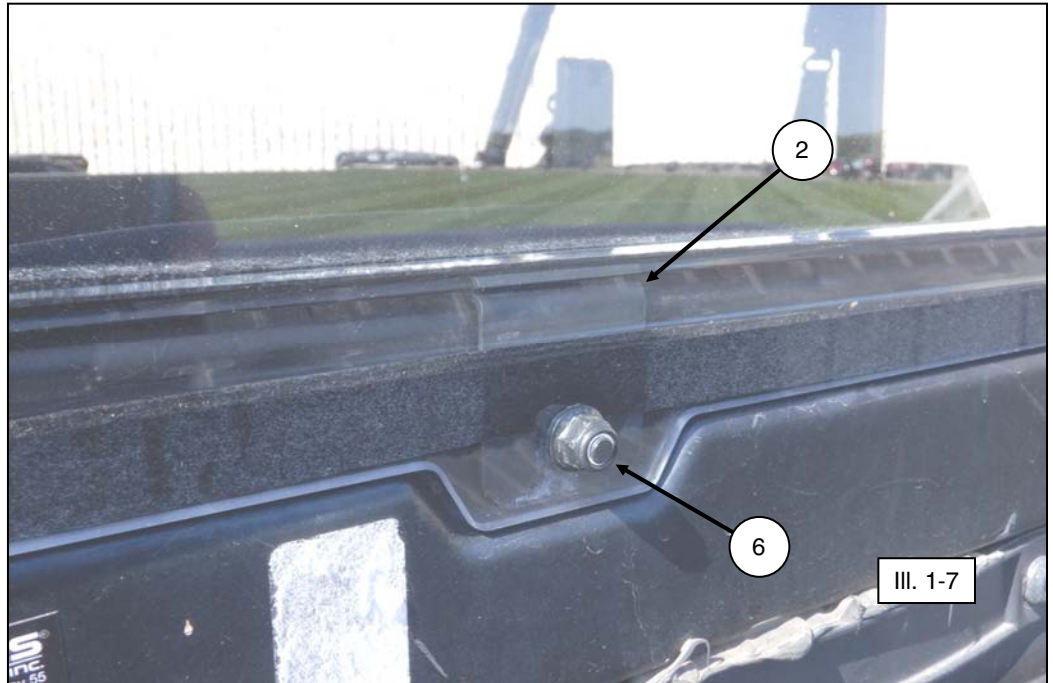
 = T

6MM FASTENER TORQUE:
42 in.-lbs. (4.75 Nm)



**Installation Instructions
(continued):**

9. Re-inspect hardware before and after riding or trailering.



Windshield Cleaning Information:

- Remove all dirt, mud, dust and debris from Windshield with water before cleaning.
- Use a mild soap or dishwashing detergent along with a soft sponge or soft cotton cloth to clean Windshield surface. Do not apply in direct sunlight. Rinse with water immediately and dry with a soft cotton cloth or chamois.
- Always test cleaning agents in a small inconspicuous area prior to cleaning entire panel.
- Never use Windshield cleaning fluids (409, Windex, etc.), gasoline, high alkaline cleaners, or solvents.
- Never use abrasives, brushes, razor blades, scrapers, squeegees, gloves or dirty cloths.

For additional assistance, please contact Kolpin customer service department at (877) 956-5746 or (763) 478-5800 or email customerservice@kolpin.com.

One Year Limited Warranty

For the period of one (1) year from the purchase date, Kolpin will replace for the original purchaser, free of charge, any part or parts found upon examination by Kolpin to be defective in material, workmanship, or both.

All transportation costs incurred submitting product to Kolpin for warranty consideration must be borne by the purchaser. If Kolpin determines that the product must be returned to the factory for credit, please call 1-877-956-5746 for a Return Merchandise Authorization (RMA) number and shipping instructions.

This warranty does not apply to parts that have been damaged by accident, alteration, abuse, improper maintenance, normal wear, or other causes beyond the manufacturer's control. In order to protect you and your ATV, certain parts of the accessory system and/or hardware are designed to fail when the equipment is over-stressed. Parts that are lost due to loosening and improper maintenance are not covered under warranty. This warranty does not cover removal or reinstallation labor fees of the plow system and related components.

Peripheral products such as engines, electric motors, and actuators may carry an original manufacturer's warranty. Most hardware is general in nature and is easily obtained locally. Be sure to replace with minimum metric class 8.8 specification.