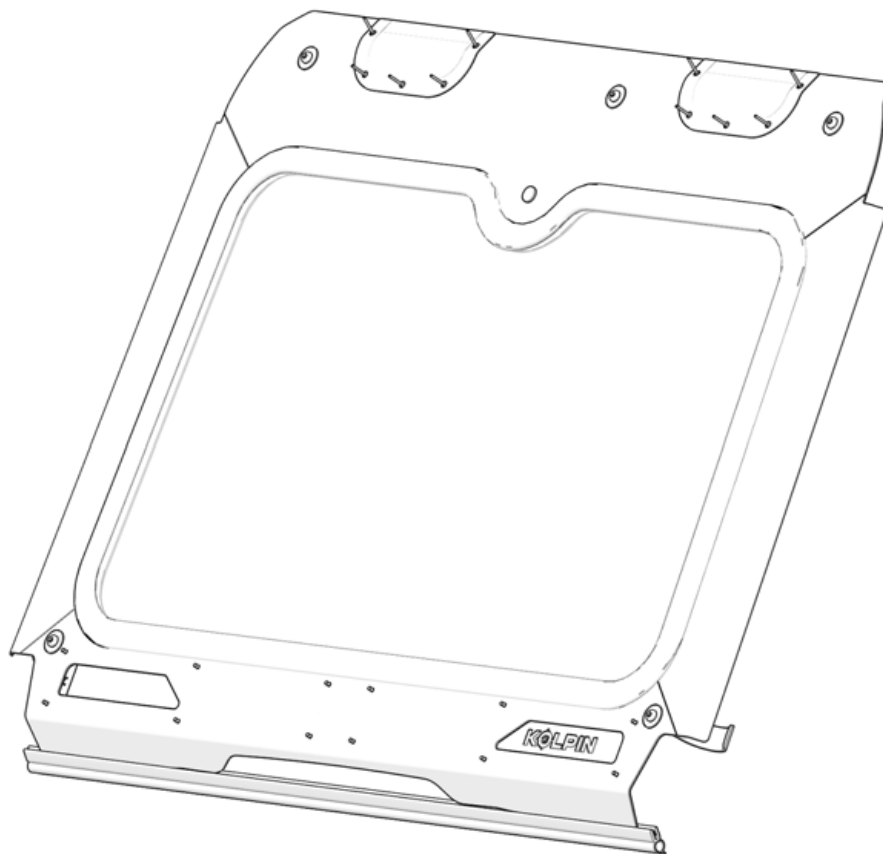


GLASS WINDSHIELD KIT

Assembly / Owner's Manual

APPLICATION: Polaris RZR Pro XP
Verify accessory fitment at [Kolpin.com](https://www.kolpin.com)



INTRO

Thank you for purchasing Kolpin® engineered products. With proper installation, usage, care, and maintenance, your Kolpin® product will last for years to come.

BEFORE YOU BEGIN

- Read and understand the entire installation manual, including all installation instructions, operating instructions, safety warnings and guidelines before installing or operating your accessory. Failure to comply may result in damage to the product and / or vehicle, and can lead to hazards up to and including death.
- Verify all parts and tools are accounted for. If parts are missing, do not return to the store. Call us for help, **Toll Free 1-877-956- 5746**
- Follow all steps correctly and in the sequence described.
- Keep these instructions for future reference or for informational requests.
- To facilitate installation, make sure that your vehicle is clean and free of debris.
- All directions referring to right and left are from the rider perspective when sitting on the machine.

ASSEMBLY TIME

Approximately 24 minutes

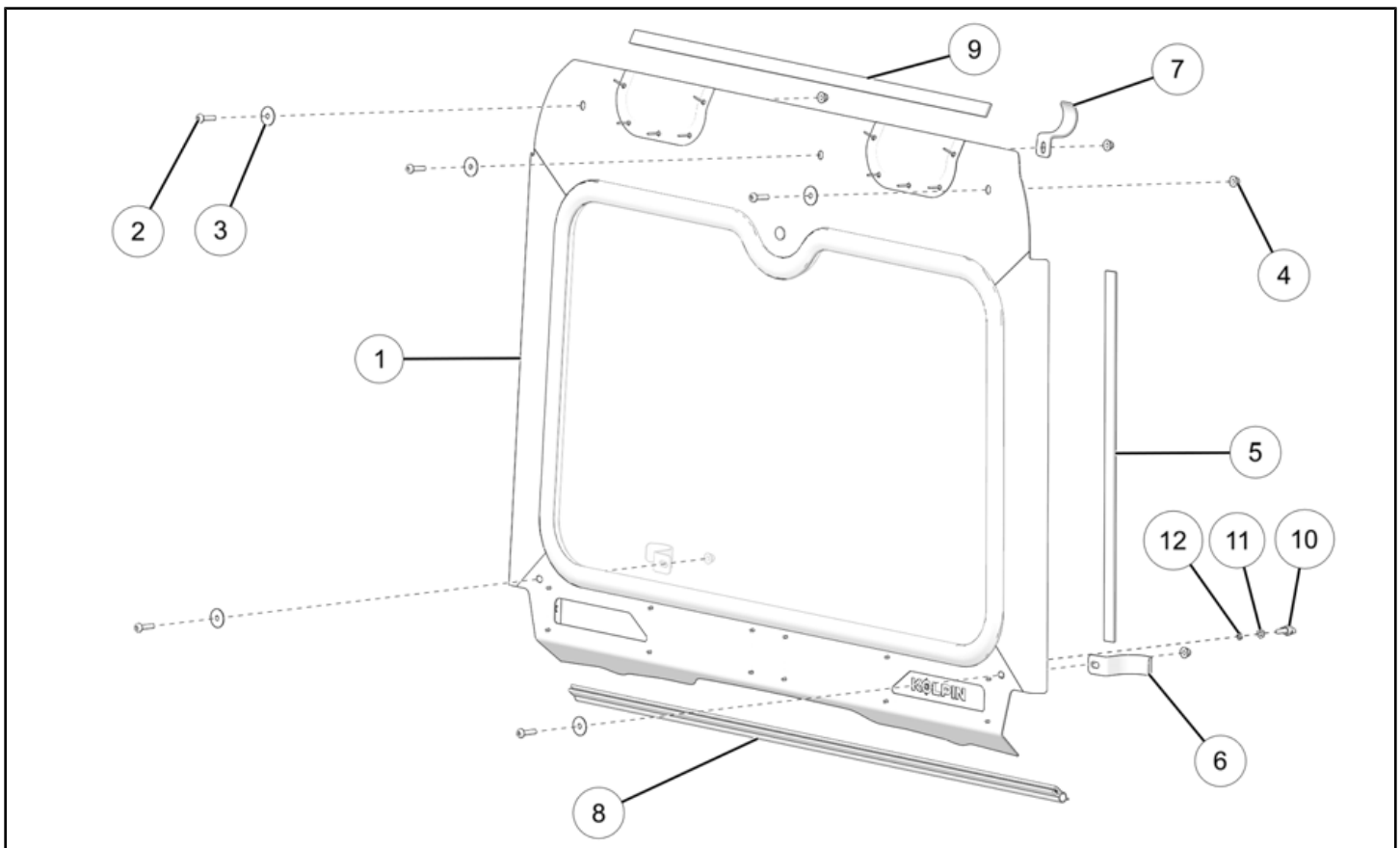
TOOLS REQUIRED

- Safety Glasses
- Cutting Tool
- Metal Shears
- Socket Set, Metric
- Socket Set, Torx® Bit
- Torque Wrench
- Wrench Set, Metric

CONSUMABLES REQUIRED

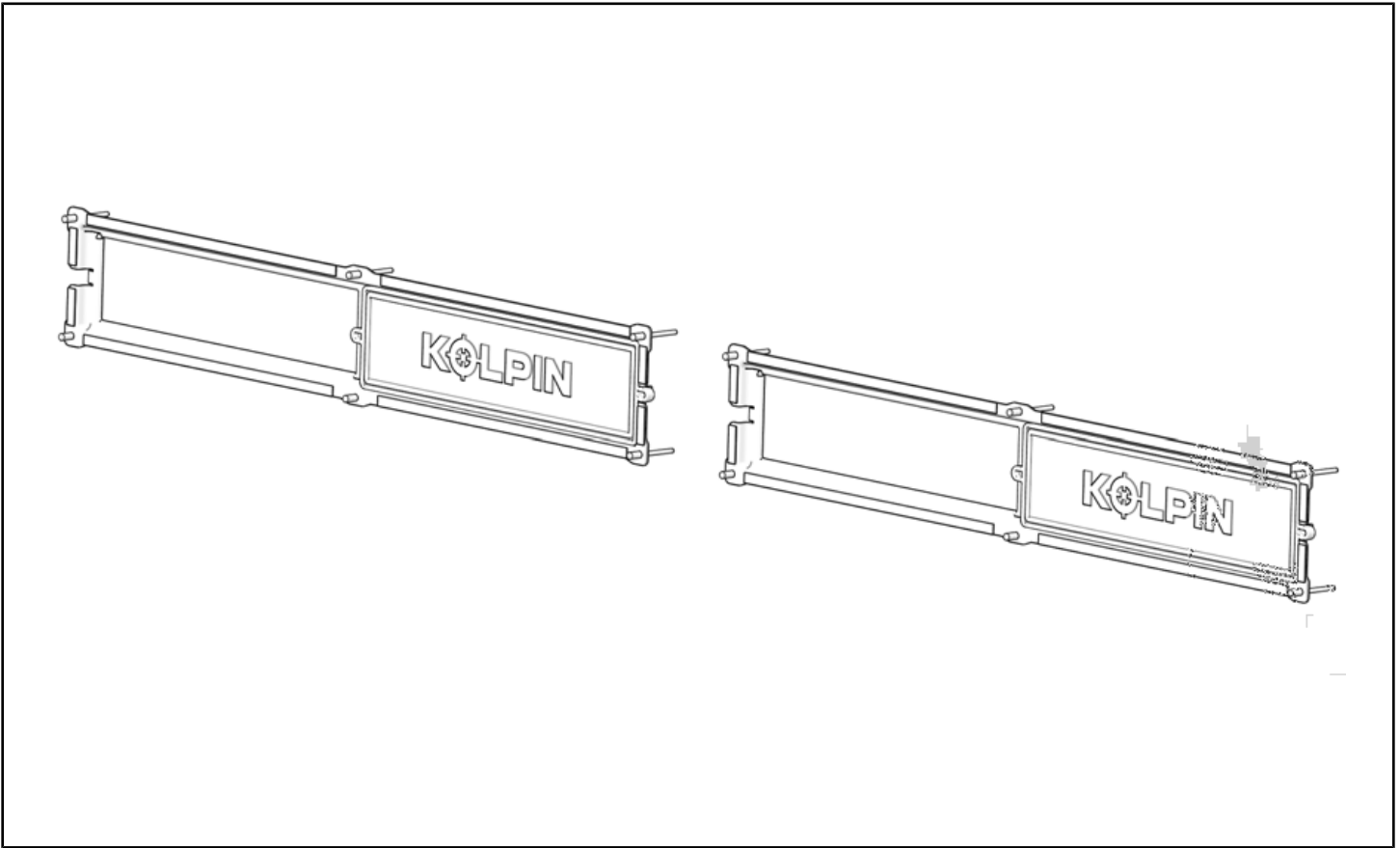
- Cleaning Solution (99% water + 1% mild dishwashing detergent)
- Cloth, Non-Abrasive (Cheesecloth or equivalent)
- Isopropyl Alcohol (IPA)

KIT CONTENTS



REF	QTY	PART DESCRIPTION	PART NUMBER
1	1	RZR Pro XP Glass Windshield	n/a
2	5	Screw, (M6 x 1.0 x 20)	28121
3	5	Washer, (7.0 x 25 x 1.27)	28121
4	5	Locking Nut, Flanged, (M6 x 1.0)	28121
5	2	Foam Gasket	28121
6	2	Clamp, 2-inch	28121
7	1	Clamp, Roof	28121
8	1	Bulb Seal	28121
9	1	Foam Strip	28121
10	2	Vent Thumbscrew (M6 x 1.0)	28091
11	2	Flat Washer (M6)	28091
12	2	Lock Washer (M6)	28091

SPARE PARTS / KITS



REF	QTY	PART DESCRIPTION	PART NUMBER
1	2	Windshield Vent Slide	28090

INSTALLATION INSTRUCTIONS

VEHICLE PREPARATION

GENERAL

1. Park vehicle on a flat surface.
2. Shift vehicle into PARK.

ACCESSORY INSTALLATION

NOTICE

Kolpin recommends enlisting a helper when handling the windshield assembly.

1. Set windshield on soft surface. Clean the inside of the windshield frame with mild cleaning solution and wipe with isopropyl alcohol.

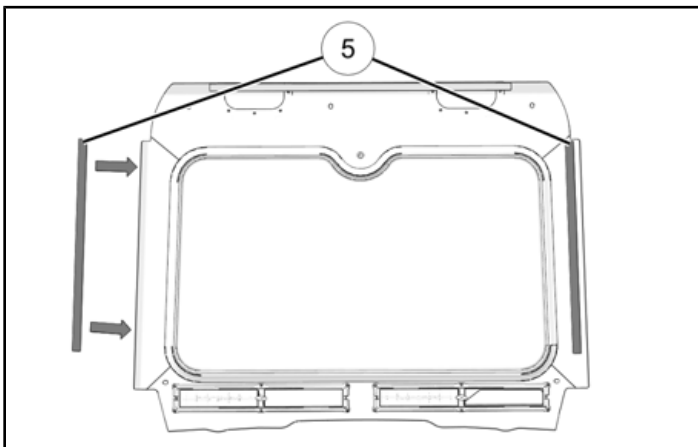
⚠ WARNING

Isopropyl alcohol is hazardous to your health. See isopropyl alcohol packaging for proper handling instructions, including recommended personal protective equipment such as goggles and chemical resistant gloves.

2. Put foam strips ⑤ on sides of windshield.

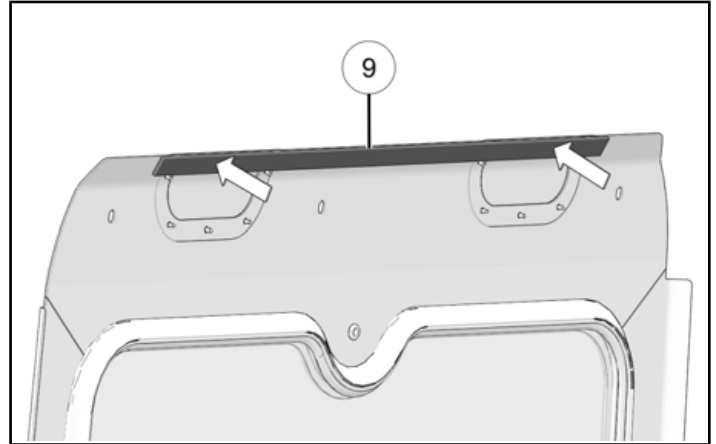
TIP

Test fit windshield to vehicle to determine proper placement of foam strips.



3. Turn key to OFF position and remove key.

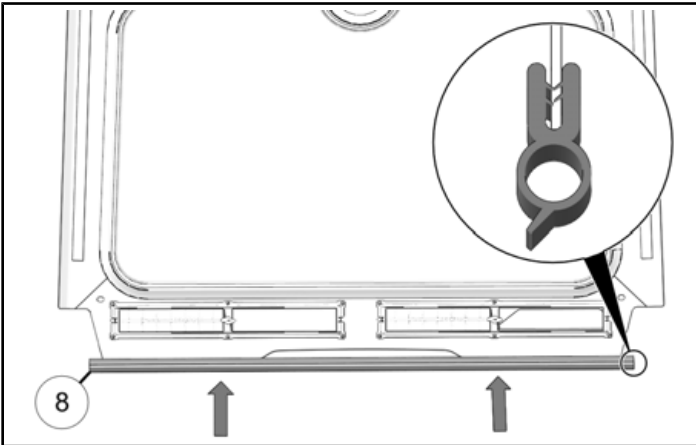
3. Put foam strip ⑨ across top of windshield.



4. Put bulb seal ⑧ on lower edge of windshield. Trim ends as shown.

TIP

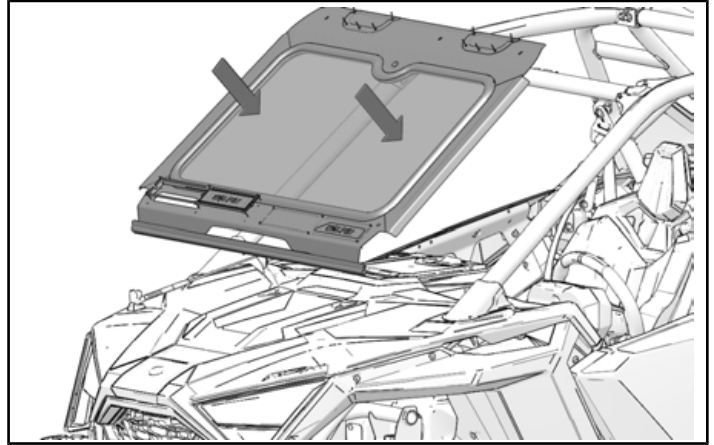
The bulb seal has a metal core. Kolpin recommends using a metal shears to trim the bulb seal.



5. Put windshield on vehicle. Make sure bulb seal fits along top of dashboard.

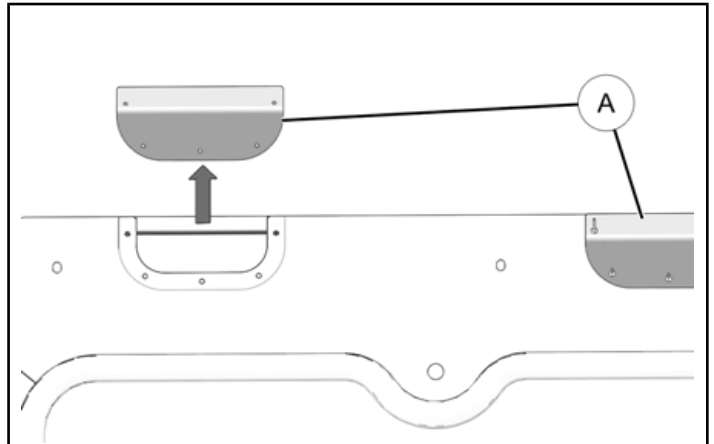
NOTICE

Enlist a helper to fit windshield to vehicle.



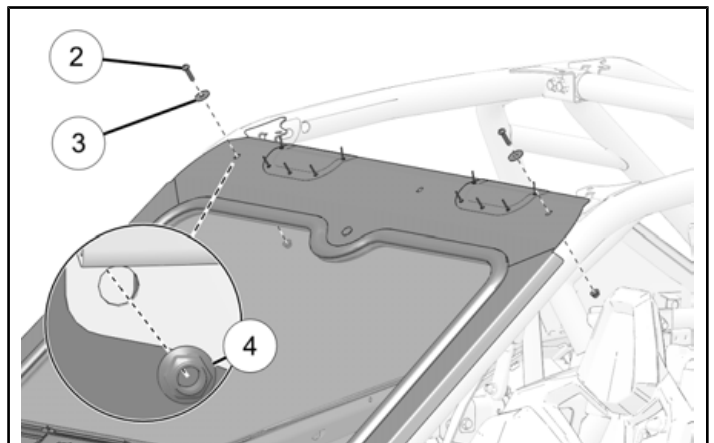
NOTICE

If installing the windshield on a vehicle with a Polaris Poly Roof, remove the cover plates ①.



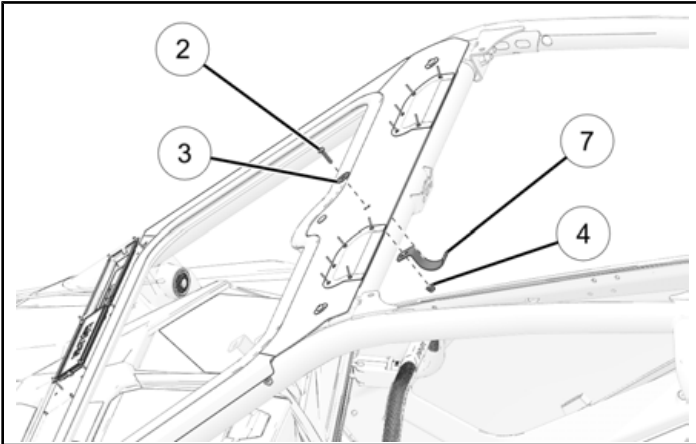
6. Attach windshield at corners using screws ②, washers ③ and nuts ④.

Do not torque fasteners at this time.



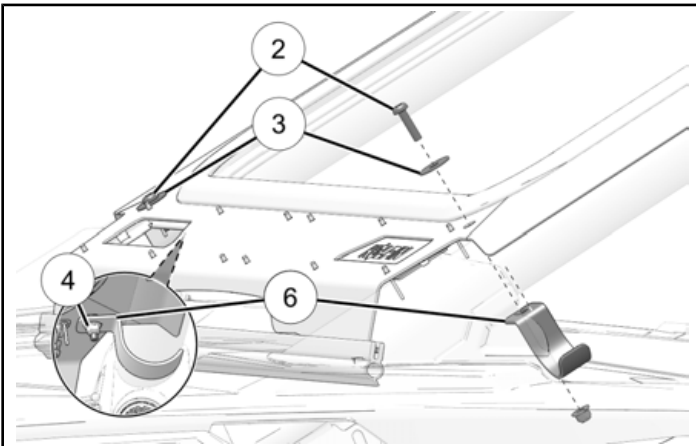
7. Install clamp ⑦ on top of windshield using screws ②, washers ③ and nuts ④.

Do not torque fasteners at this time.



8. Install side clamps ⑥ using screws ②, washers ③ and nuts ④.

Do not torque fasteners at this time.



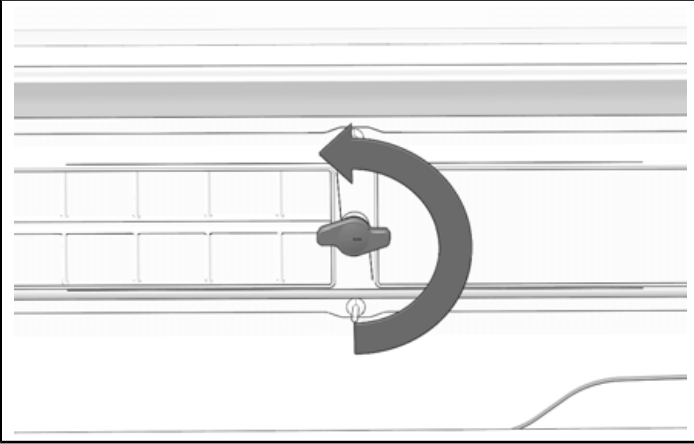
9. Torque all fasteners to specification.

TORQUE

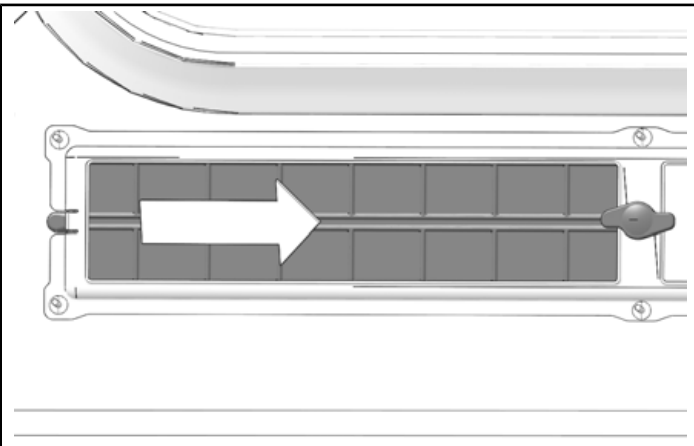
Windshield Fasteners:
7 ft-lbs (9.4 N·m)

OPERATION

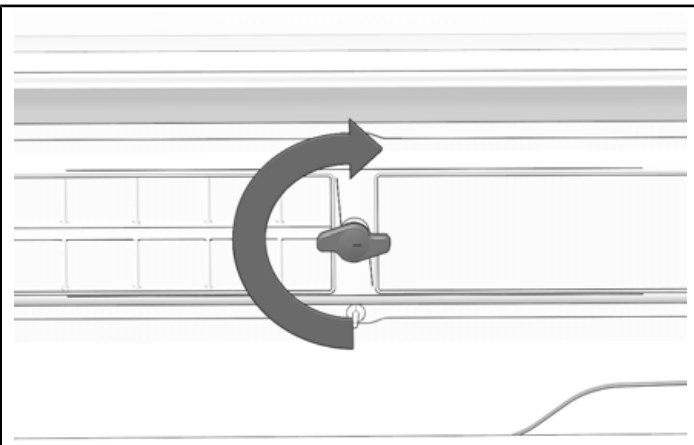
1. Turn vent lock counter clockwise to loosen.



2. Slide vent to open.



3. Turn lock clockwise to set vent location.



WARNING

Vehicle must face forward if transported on open trailer. If vehicle cannot face forward, windshield must be removed. Failure to comply may cause windshield to separate from vehicle which can result in injury or death.

IMPORTANT

- Check accessory mounts frequently and retighten hardware if necessary.
- Replace this accessory with a new one if it becomes damaged.
- Never use petroleum solvents such as gasoline thinner, benzene, acid or alkaline cleaners

WARRANTY



ONE YEAR LIMITED WARRANTY

For the period of one (1) year from the purchase date, Kolpin will replace for the original purchaser, free of charge, any part or parts found upon examination by Kolpin to be defective in material, workmanship, or both.

All transportation costs incurred submitting product to Kolpin for warranty consideration must be borne by the purchaser. If Kolpin determines that the product must be returned to the factory for credit, please call 1-877-956-5746 for a Return Merchandise Authorization (RMA) number and shipping instructions.

This warranty does not apply to parts that have been damaged by accident, alteration, abuse, improper maintenance, normal wear, or other causes beyond the manufacturer's control. In order to protect your ATV, certain parts of the accessory system and/or hardware are designed to fail when the equipment is over-stressed. Parts that are lost due to loosening and improper maintenance are not covered under warranty. This warranty does not cover removal or reinstallation labor fees of the plow system and related components.

Peripheral products such as engines, electric motors, and actuators may carry an original manufacturer's warranty. Most hardware is general in nature and is easily obtained locally. Be sure to replace with minimum metric class 8.8 specification.

Kolpin Outdoors, Inc.

Telephone: (763)-478-5800

Toll Free: (877)-956-5746

Fax Number: (800)-245-7569

www.Kolpin.com

Email: customerservice@kolpin.com