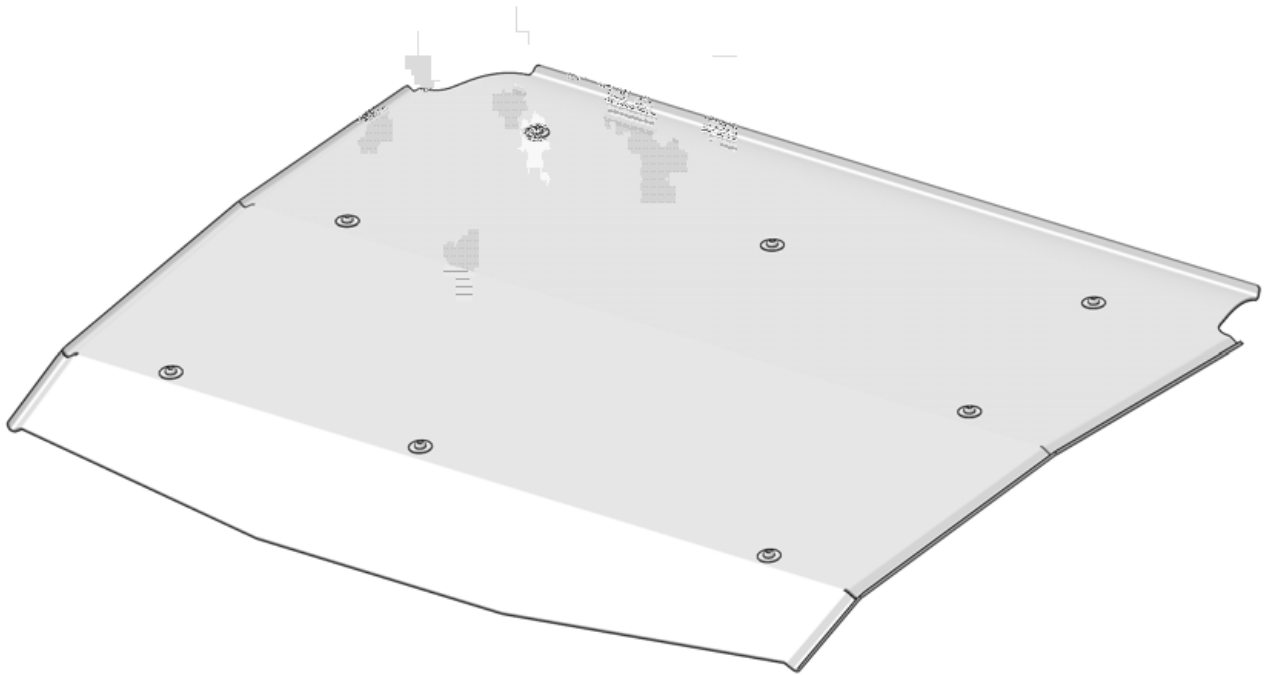


# ALUMINUM ROOF KIT

## Assembly / Owner's Manual

**APPLICATION: Polaris RZR Pro XP**  
Verify accessory fitment at [Kolpin.com](https://www.kolpin.com)



## INTRO

Thank you for purchasing Kolpin® engineered products. With proper installation, usage, care, and maintenance, your Kolpin® product will last for years to come.

## BEFORE YOU BEGIN

- Read and understand the entire installation manual, including all installation instructions, operating instructions, safety warnings and guidelines before installing or operating your accessory. Failure to comply may result in damage to the product and / or vehicle, and can lead to hazards up to and including death.
- Verify all parts and tools are accounted for. If parts are missing, do not return to the store. Call us for help, **Toll Free 1-877-956- 5746**
- Follow all steps correctly and in the sequence described.
- Keep these instructions for future reference or for informational requests.
- To facilitate installation, make sure that your vehicle is clean and free of debris.
- All directions referring to right and left are from the rider perspective when sitting on the machine.

## ASSEMBLY TIME

Approximately 18 minutes

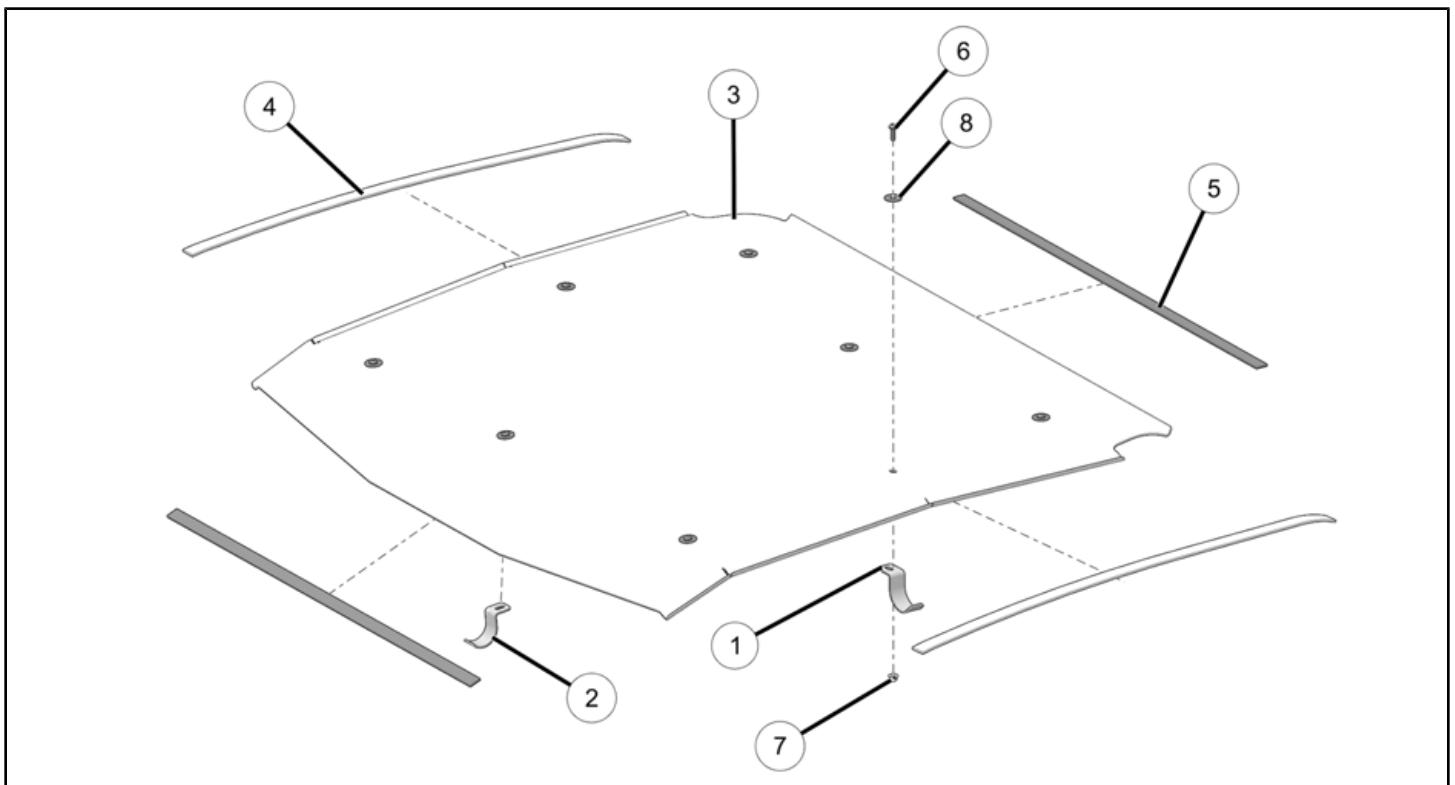
## TOOLS REQUIRED

- Safety Glasses
- Screwdriver Set, Torx®
- Socket Set, Metric
- Wrench Set, Metric

## CONSUMABLES REQUIRED

- Cleaning Solution (99% water + 1% mild dishwashing detergent)
- Cloth, Non-Abrasive, Lint-Free
- Isopropyl Alcohol (IPA)

## KIT CONTENTS



| REF | QTY | PART DESCRIPTION                             | AVAILABLE SERVICE KIT |
|-----|-----|--|-----------------------|
| 1   | 2   | Clamp – 2 in                                 | 29141                 |
| 2   | 2   | Clamp – Roof                                 | 29141                 |
| 3   | 1   | Roof Panel                                   | n/a                   |
| 4   | 2   | Foam Strip                                   | 29141                 |
| 5   | 2   | Foam Strip                                   | 29141                 |
| 6   | 8   | Screw – Torx®, Buttonhead – M6 x 1.0 x 20 mm | 29141                 |
| 7   | 8   | Nut – Locking Flange – M6 x 1.0 mm           | 29141                 |
| 8   | 8   | Washer – .281 x 1.00 x .051 mm               | 29141                 |

# INSTALLATION INSTRUCTIONS

## VEHICLE PREPARATION

### GENERAL

1. Park vehicle on a flat surface.
2. Shift vehicle into PARK.

### ACCESSORY INSTALLATION

1. Set the roof on a soft surface. Clean the bottom of the roof with a mild cleaning solution and wipe with isopropyl alcohol.

#### ⚠ WARNING

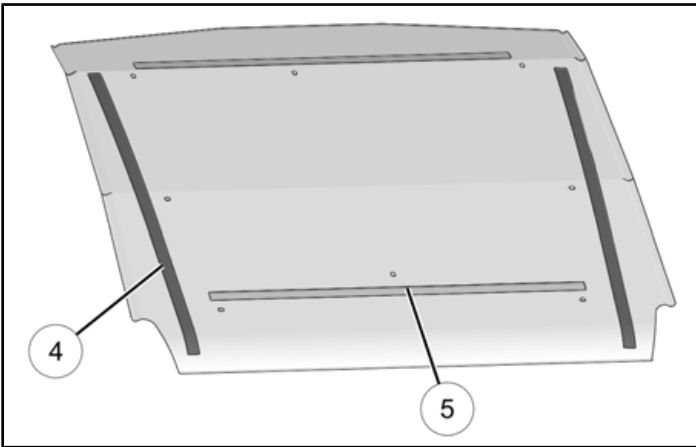
Isopropyl alcohol is hazardous to your health. See isopropyl alcohol packaging for proper handling instructions, including recommended personal protective equipment such as goggles and chemical resistant gloves.

2. Position and align the roof on the top of the vehicle cab frame. Mark with tape or pencil where the cab frame tubes match with the bottom roof surface. The alignment marks help locate where the foam strips will be applied.

#### TIP

Test the fit of the roof to the cab of the vehicle to determine proper placement of foam strips.

3. Apply the four foam strips ④, ⑤ to the bottom of the roof.

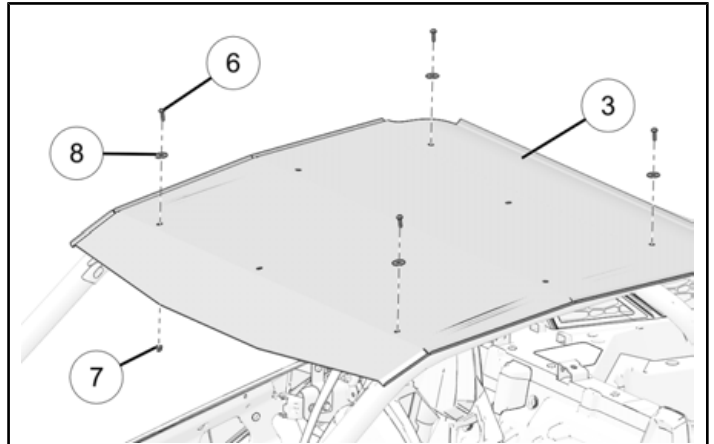


4. Put the roof on the vehicle.

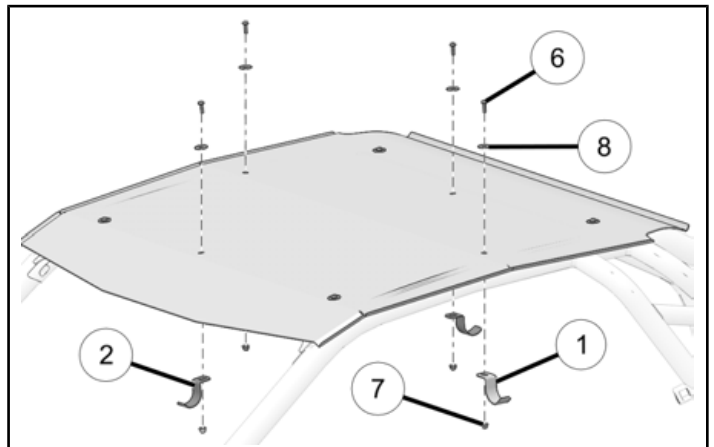
3. Turn key to OFF position and remove key.

5. Loosely install four screws ⑥, washers ⑧ and nuts ⑦ to attach the corners of the roof ③ to the cab frame.

Do not torque fasteners at this time.



6. Attach the remaining two roof sides and the center of the rear and front roof with four screws ⑥ and washers ⑧, then place the four clamps ①, ② around the cab frame tubes and fasten the screws with the nuts ⑦.



7. Torque all fasteners to specification.

#### TORQUE

Roof Fasteners:  
**7 ft-lbs (9.4 N·m)**

## WARRANTY



### ONE YEAR LIMITED WARRANTY

For the period of one (1) year from the purchase date, Kolpin will replace for the original purchaser, free of charge, any part or parts found upon examination by Kolpin to be defective in material, workmanship, or both.

All transportation costs incurred submitting product to Kolpin for warranty consideration must be borne by the purchaser. If Kolpin determines that the product must be returned to the factory for credit, please call 1-877-956-5746 for a Return Merchandise Authorization (RMA) number and shipping instructions.

This warranty does not apply to parts that have been damaged by accident, alteration, abuse, improper maintenance, normal wear, or other causes beyond the manufacturer's control. In order to protect your ATV, certain parts of the accessory system and/or hardware are designed to fail when the equipment is over-stressed. Parts that are lost due to loosening and improper maintenance are not covered under warranty. This warranty does not cover removal or reinstallation labor fees of the plow system and related components.

Peripheral products such as engines, electric motors, and actuators may carry an original manufacturer's warranty. Most hardware is general in nature and is easily obtained locally. Be sure to replace with minimum metric class 8.8 specification.

**Kolpin Outdoors, Inc.**

**Telephone: (763)-478-5800**

**Toll Free: (877)-956-5746**

**Fax Number: (800)-245-7569**

**[www.Kolpin.com](http://www.Kolpin.com)**

**Email: [customerservice@kolpin.com](mailto:customerservice@kolpin.com)**