

Honda Talon Aluminum Roof

Product Instructions | Part No: 29230

Application: Honda Talon, verify accessory fitment at Kolpin.com.

This Kit includes:

Before You Begin: Read these instructions and check to be sure all parts and tools are accounted for. Please retain these installation instructions for future reference and parts ordering information.

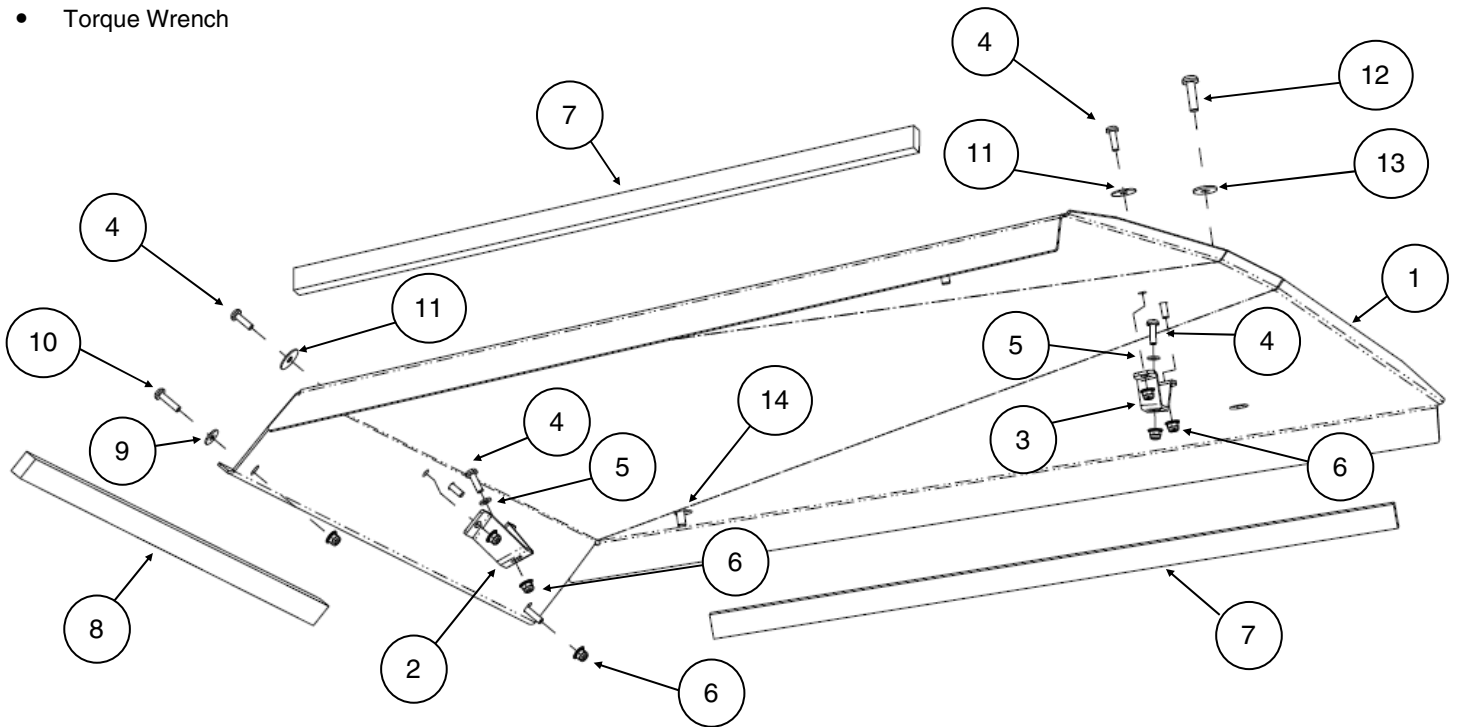
Note: If any hardware is missing, do not return to the store. Call us to help, Toll Free 1-877-956-5746.

Items marked (*) are included in Hardware Kit PN 29231.

Tools Required:

- Socket Set, Metric
- Wrench Set, Metric
- Utility Knife/Cutting Tool
- Torx Bit Set
- Torque Wrench

Item	Qty	Part Description
1	1	Talon Roof
2	1	Front Support Bracket
3	1	Rear Support Bracket
4*	6	Button Screw, Zinc Plated, M6 x 1.0 - 20mm LG
5*	2	Small Flat Washer, Zinc Plated, M6
6*	8	Flange Locknut, Zinc Plated, M6-1.0
7*	2	Short Side Foam Seal 28" (711mm)
8*	1	Long Front Foam Seal - 42" (1066mm)
9*	2	Medium Flat Washer, Zinc Plated, M6
10*	2	Button Screw, Zinc Plated, M6 x 1.0 - 25mm LG
11*	4	Large Flat Washer, Zinc Plated, M6
12*	2	Long Button Screw, Zinc Plated, M8 x 1.25 - 30mm LG
13*	4	Flat Washer, Zinc Plated, M8
14*	2	Short Button Screw, Zinc Plated, M8 x 1.25 - 20mm LG
15	1	Instruction Guide (not shown)



Kolpin Outdoors, Inc. | 9955 59th Ave N | Plymouth, MN 55442

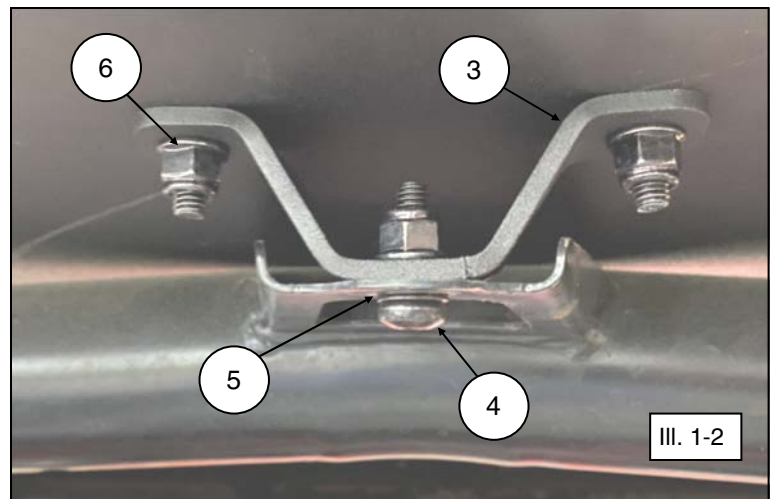
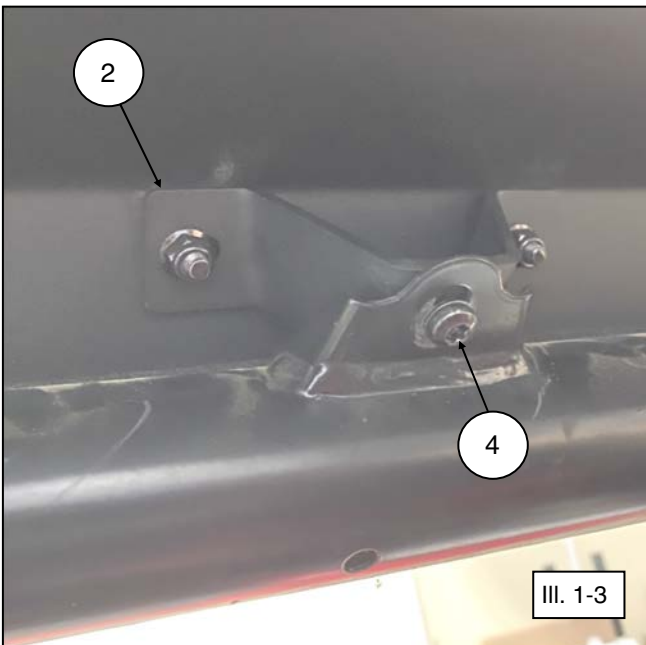
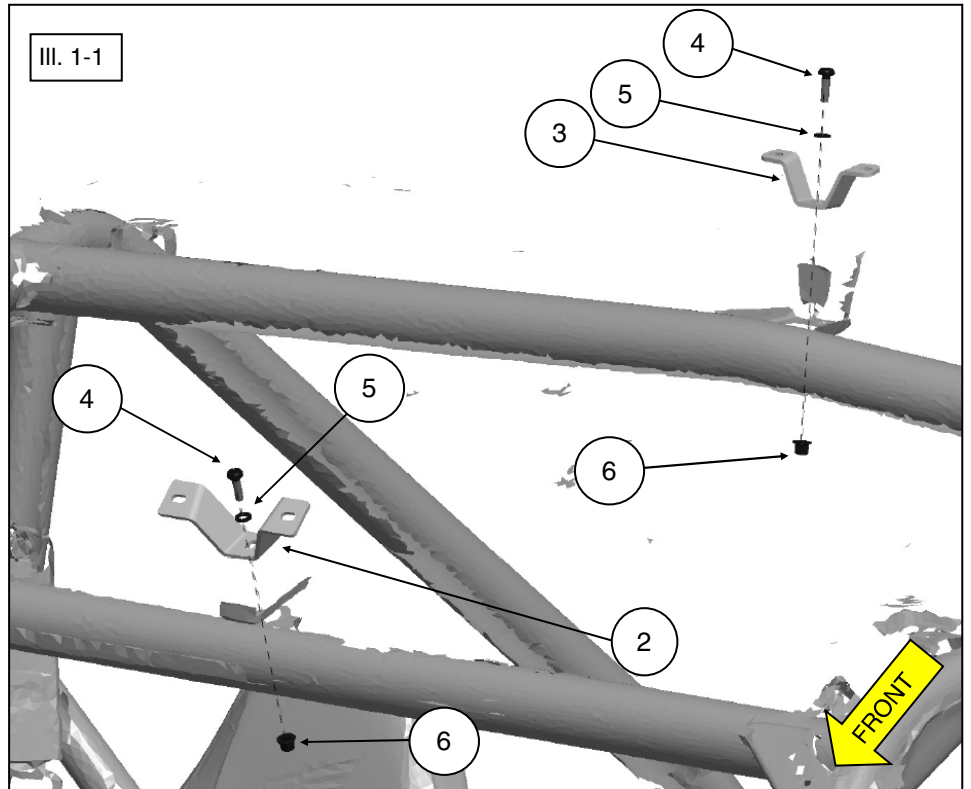
(877) 956-5746 or (763) 478-5800 | www.kolpin.com | customerservice@kolpin.com

Assembly Time: Approximately 15 minutes

Important: Your Kolpin Steel Roof Kit is exclusively designed for your vehicle. Please read the installation instructions thoroughly before beginning. Installation is easier if the vehicle is clean and free of debris. For your safety, and to ensure a satisfactory installation, perform all installation steps correctly in the sequence shown. For better cab assembly procedure, install kits in the following order: front window, rear window, and roof.

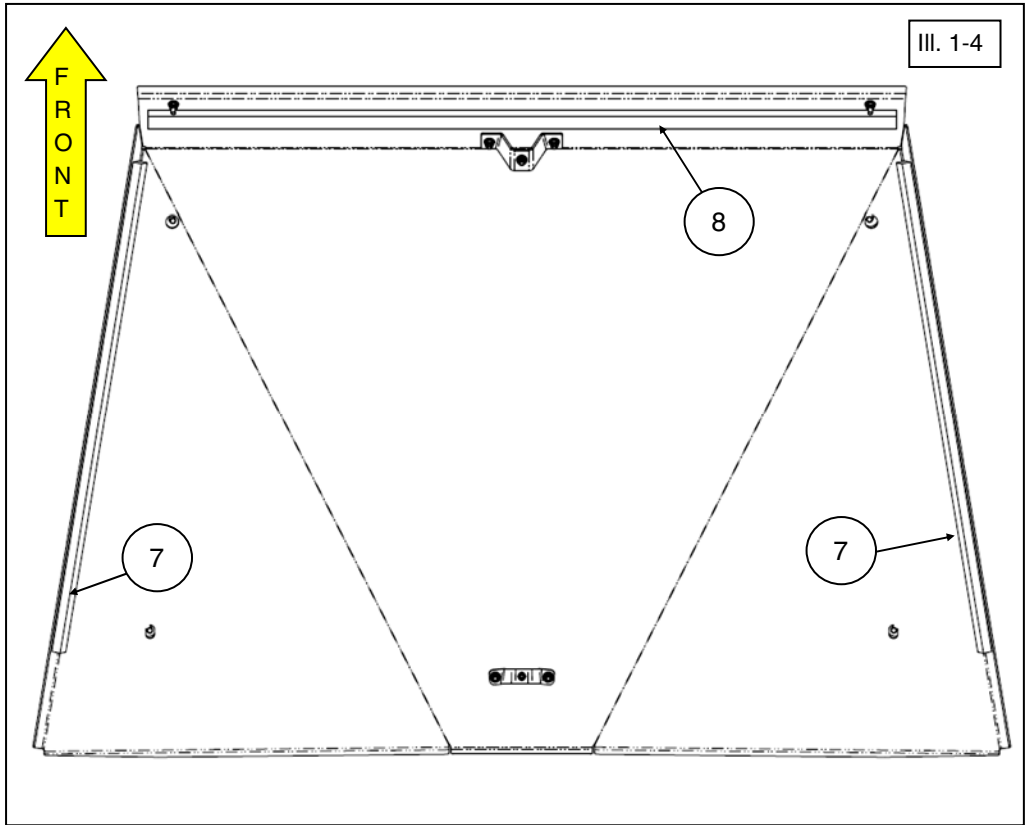
Installation Instructions:

1. Shift vehicle transmission into "PARK". Turn key to "OFF" position and remove from vehicle.
2. Install the front and rear roof bracket supports (items #2 and #3) onto the cab frame locations as shown. Install each bracket using short M6 screw (item #4) with small M6 washer (item #5) onto the cab frame mounting tabs. Fasten each bracket using M6 locknut (item #6). The front and rear brackets could be installed to the roof panel as an optional step. (See illustrations 1-1, 1-2 and 1-3). **Note: Do not tighten hardware at this step since adjustments may be required later.**

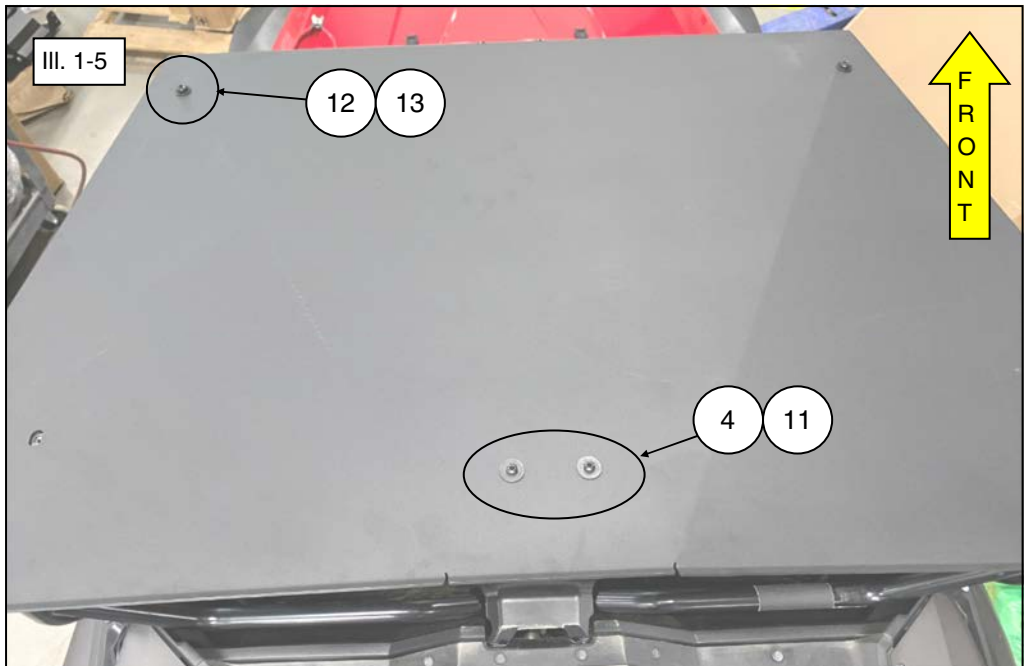


**Installation Instructions
(Continued):**

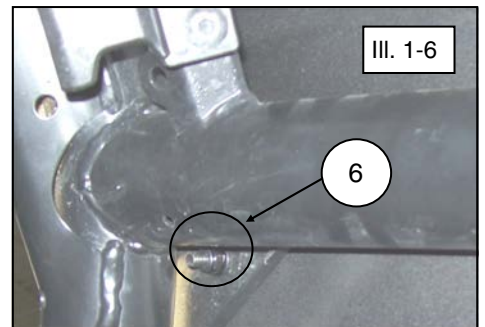
3. Clean lower surface of roof (item #1) as required, then apply front and side foam seal strips (items #7 and #8) as shown. Trim seals as required. (See illustration 1-4).
4. Place roof on the top of the vehicle cab frame.
5. Secure the roof to the front and rear support brackets (items #2 and #3) using the short M6 screws (item #4) with large fender M6 washers (item #11) and fasten to underside of brackets using M6 locknuts. (See illustrations 1-2, 1-3 and 1-5). **Note: Do not tighten hardware at this step since adjustments may be required later.**



6. Secure the front of the roof to cab frame using longer M6 screws (item #10) with medium M6 washer (item #9) as shown. Fasten to upper front cab corner gusset tabs using M6 locknut (item #6). (See illustrations 1-6 and 1-7). **Note: Do not tighten hardware at this step since adjustments may be required later.**

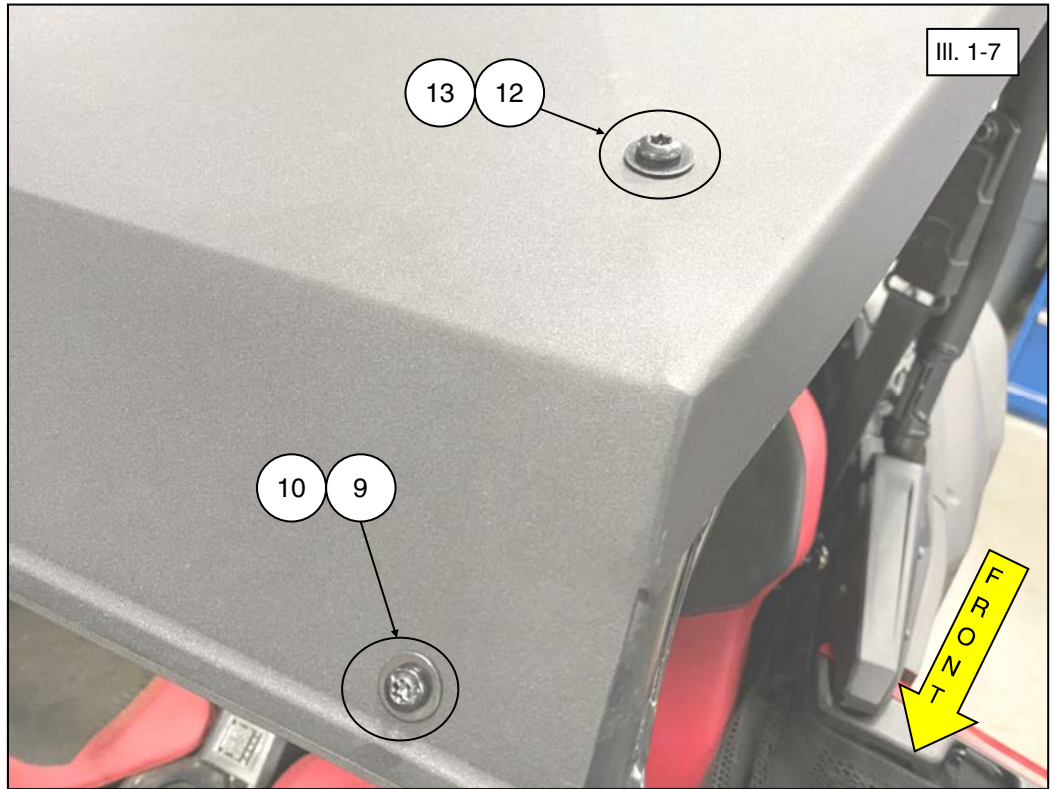


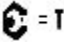
7. Secure the remaining roof mounting locations to the vehicle using the M8 screws (item #12) and M8 flat washers (item #13) as shown. Initially thread by hand at the four cab frame corner tab locations. (See illustrations 1-5 and 1-7). **Note: Do not tighten hardware at this step since adjustments may be required later.**

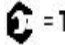


**Installation Instructions
(Continued):**

- 8. Tighten all hardware to specifications: M6 fastener spec. M8 fastener spec.



 = T
6MM FASTENER TORQUE: 7 ft. lbs. (9.5 Nm)

 = T
8MM FASTENER TORQUE: 17 ft. lbs. (23 Nm)

Use and Care Information:

- Check the accessory mounts frequently and retighten hardware if necessary.
- Replace this accessory with a new one if it is damaged.
- Never use petroleum solvents such as gasoline, thinner, benzene, acid or alkaline cleaners.

For additional assistance, please contact Kolpin customer service department at (877) 956-5746 or (763) 478-5800 or email customerservice@kolpin.com

One Year Limited Warranty

For the period of one (1) year from the purchase date, Kolpin will replace for the original purchaser, free of charge, any part or parts found upon examination by Kolpin to be defective in material, workmanship, or both.

All transportation costs incurred submitting product to Kolpin for warranty consideration must be borne by the purchaser. If Kolpin determines that the product must be returned to the factory for credit, please call 1-877-956-5746 for a Return Merchandise Authorization (RMA) number and shipping instructions.

This warranty does not apply to parts that have been damaged by accident, alteration, abuse, improper maintenance, normal wear, or other causes beyond the manufacturer's control. In order to protect you and your ATV, certain parts of the accessory system and/or hardware are designed to fail when the equipment is over-stressed. Parts that are lost due to loosening and improper maintenance are not covered under warranty. This warranty does not cover removal or reinstallation labor fees of the plow system and related components.

Peripheral products such as engines, electric motors, and actuators may carry an original manufacturer's warranty. Most hardware is general in nature and is easily obtained locally. Be sure to replace with minimum metric class 8.8 specification.