

Kawasaki Teryx Steel Roof

Product Instructions | Part No: 29315

Application: Kawasaki Teryx, verify accessory fitment at Kolpin.com.

Before You Begin: Read these instructions and check to be sure all parts and tools are accounted for. Please retain these installation instructions for future reference and parts ordering information.

Note: If any hardware is missing, do not return to the store. Call us to help, Toll Free 1-877-956-5746.

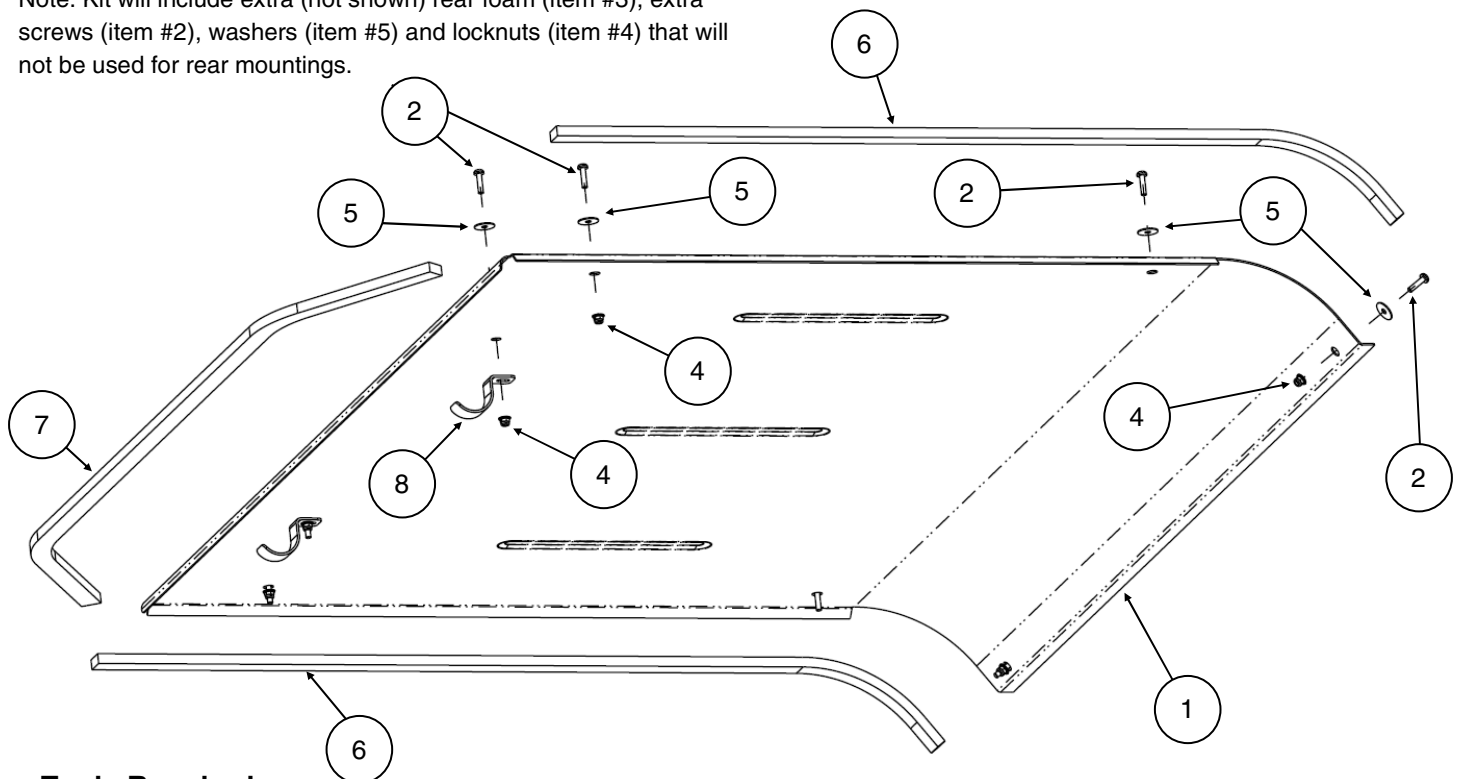
Note: Two people are required to install this Roof Kit.

Items marked (*) are included in Hardware Kit PN 29316.

This Kit includes:

| Item | Qty | Part Description |
|------|-----|---|
| 1 | 1 | Teryx Roof Panel |
| 2* | 10 | Button Screw, Zinc Plated, M6-1.0 x 25mm LG |
| 3* | 1 | Rear Foam Strip - 52" (1321mm) |
| 4* | 8 | Flange Locknut, Zinc Plated, M6-1.0 |
| 5* | 10 | Flat Washer, Zinc Plated, M6 |
| 6* | 2 | Side Foam Strip - 47.25" (1200mm) |
| 7* | 1 | Front Foam Strip - 55" (1400mm) |
| 8* | 2 | Clamp, Painted, 1.875" Diameter |
| 9* | 1 | Instruction Guide (not shown) |

Note: Kit will include extra (not shown) rear foam (item #3), extra screws (item #2), washers (item #5) and locknuts (item #4) that will not be used for rear mountings.



Tools Required:

- Socket Set, Metric
- Torx Bit Set
- Utility Knife/Cutting Tool
- Wrench Set, Metric
- Torque Wrench

Kolpin Outdoors, Inc. | 9955 59th Ave N | Plymouth, MN 55442

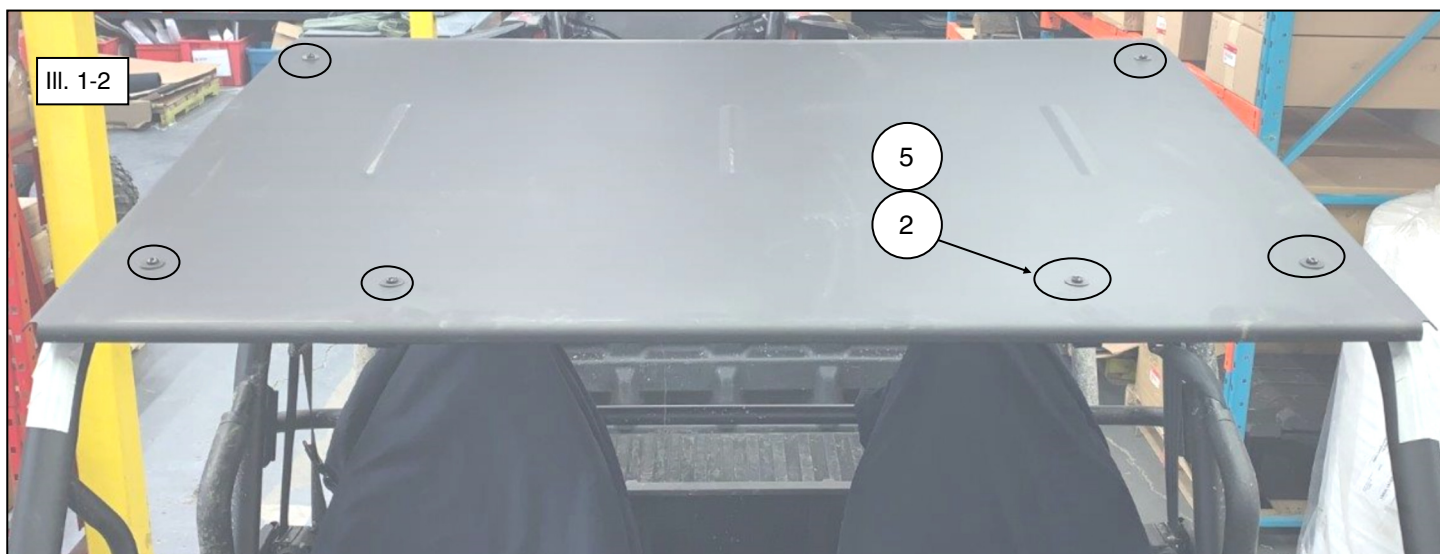
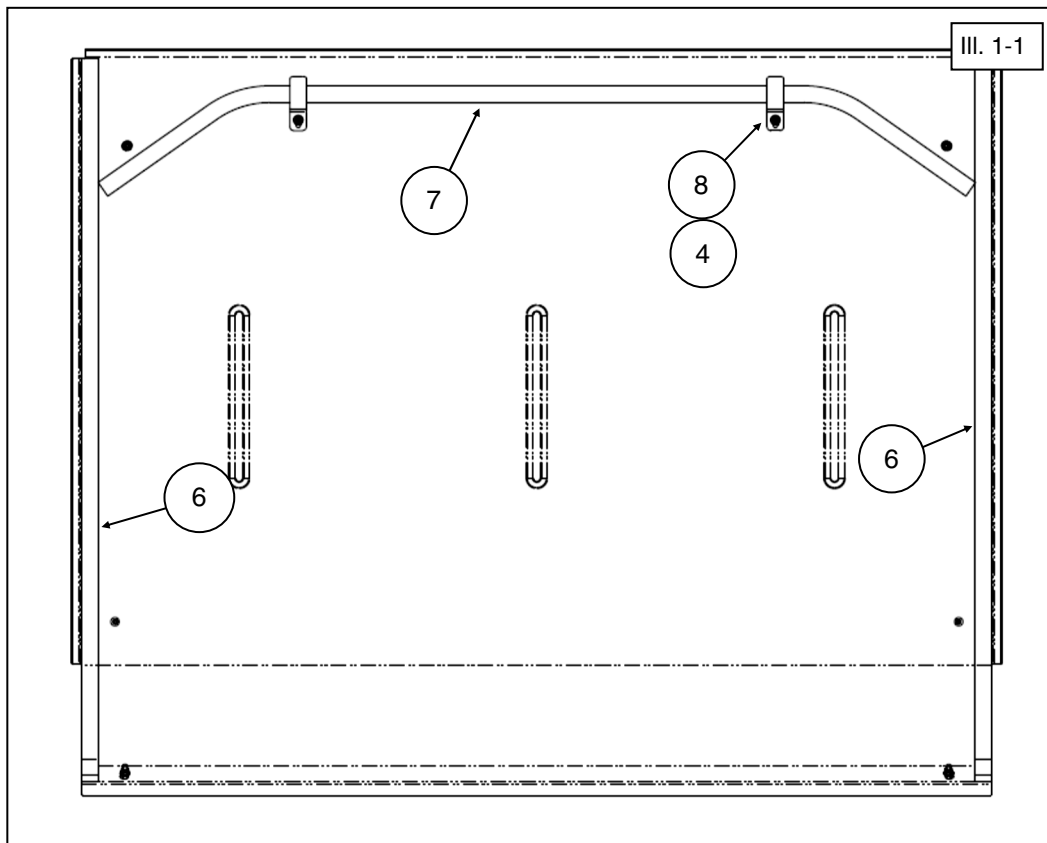
(877) 956-5746 or (763) 478-5800 | www.kolpin.com | customerservice@kolpin.com

Assembly Time: Approximately 15 minutes

Important: Your Kolpin Steel Roof Kit is exclusively designed for your vehicle. Please read the installation instructions thoroughly before beginning. Installation is easier if the vehicle is clean and free of debris. For your safety, and to ensure a satisfactory installation, perform all installation steps correctly in the sequence shown. For better cab assembly procedure, install kits in the following order: front window, rear window and roof.

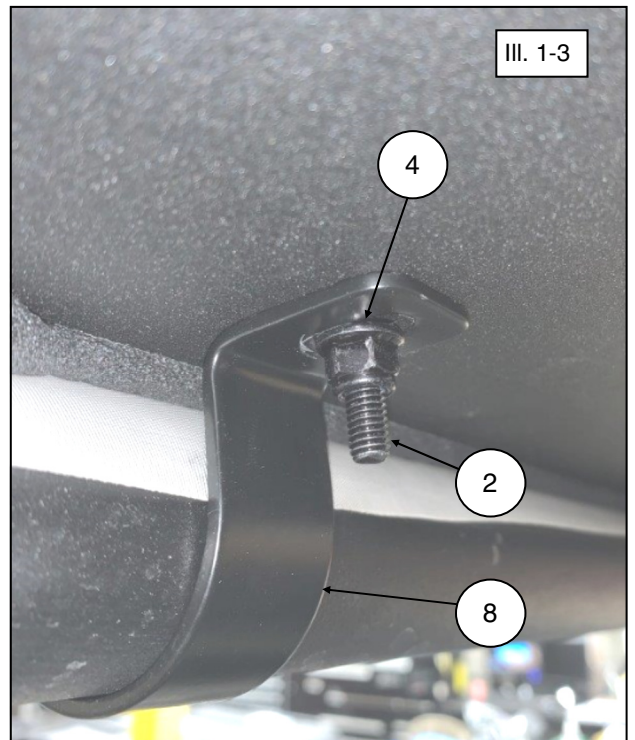
Installation Instructions:

1. Shift vehicle transmission into "NUETRAL" and set parking brake. Turn key to "OFF" position and remove from vehicle.
2. Clean lower surface of roof (item #1) as required, then apply foam strips (items #6 and #7) as shown. Trim seals as required. (See illustration 1-1). **Note, foam strip alignment may be easier if roof assembly is placed on cab frame, then mark with pencil or tape where the roll cage tubes make contact with metal roof.**
3. Place roof assembly on the top of the vehicle cab frame as shown. (See illustration 1-2).
4. For the six front mounting locations shown, use the M6 screws (item #2) and flat washers (item #5) on the top side of roof. (See illustration 1-2).

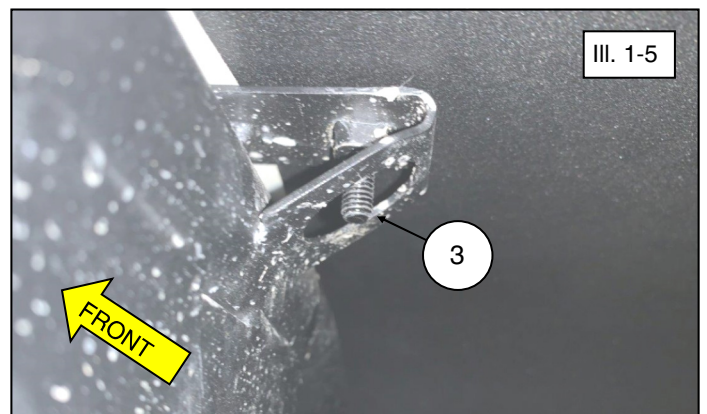
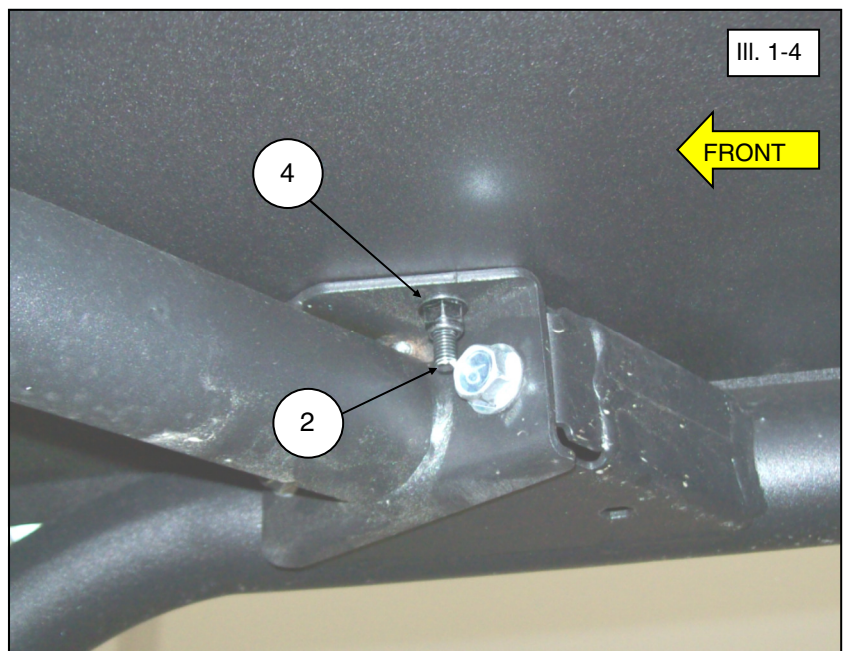


Installation Instructions (Continued):

- For the middle front holes of the roof, attach the two clamps (item #8) to the assembly as shown. From the top surface, secure the middle clamps using the M6 screws (item #2) and M6 washers (item #5). Fasten the clamps with M6 locknuts (item #4). (See illustration 1-3). **Note: Do not tighten hardware at this step since adjustments may be required later.**
- From underneath roof, loosely fasten front screws (item #2) with two M6 locknuts (item #4) at the front corner cab frame gusset tabs as shown. (See illustration 1-4). **Note: Do not tighten hardware at this step since adjustments may be required later.**

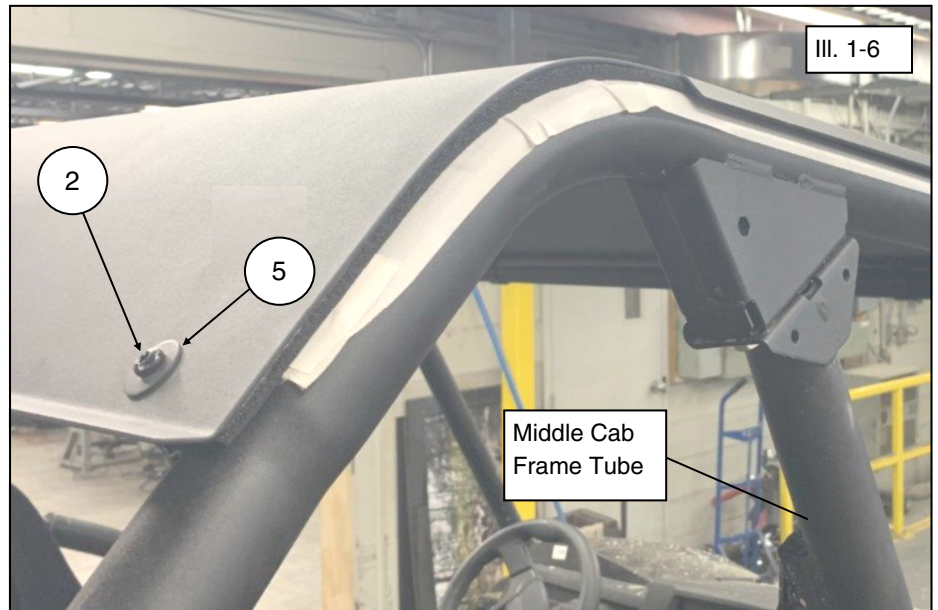


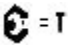
- From underneath roof, loosely fasten front screws (item #2) with washers (item #5) at the middle cab frame side gusset tabs as shown. The screws will thread into the threaded tabs on each side. (See illustration 1-5). **Note: Do not tighten hardware at this step since adjustments may be required later.**

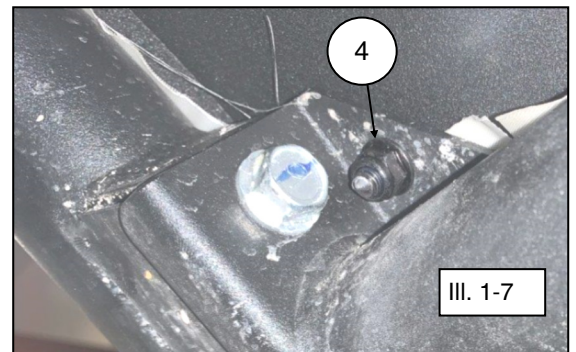


Installation Instructions (Continued):

- Secure each rear side of the roof panel to cab frame using M6 screws (item #2) and washers (item #5) as shown. The screw will fit thru frame gusset hole tab. Tighten the screw with locknut (item #4) from underside. (See illustrations 1-6 and 1-7).
- Tighten all hardware to specification.



| |
|---|
|  = T |
| 6MM FASTENER TORQUE: 7 ft. lbs. (9.5 Nm) |



Use and Care Information:

- Check the accessory mounts frequently and retighten hardware if necessary.
- Replace this accessory with a new one if it is damaged.
- Never use petroleum solvents such as gasoline, thinner, benzene, acid or alkaline cleaners.

For additional assistance, please contact Kolpin customer service department at (877) 956-5746 or (763) 478-5800 or email customerservice@kolpin.com

One Year Limited Warranty

For the period of one (1) year from the purchase date, Kolpin will replace for the original purchaser, free of charge, any part or parts found upon examination by Kolpin to be defective in material, workmanship, or both.

All transportation costs incurred submitting product to Kolpin for warranty consideration must be borne by the purchaser. If Kolpin determines that the product must be returned to the factory for credit, please call 1-877-956-5746 for a Return Merchandise Authorization (RMA) number and shipping instructions.

This warranty does not apply to parts that have been damaged by accident, alteration, abuse, improper maintenance, normal wear, or other causes beyond the manufacturer's control. In order to protect you and your ATV, certain parts of the accessory system and/or hardware are designed to fail when the equipment is over-stressed. Parts that are lost due to loosening and improper maintenance are not covered under warranty. This warranty does not cover removal or reinstallation labor fees of the plow system and related components.

Peripheral products such as engines, electric motors, and actuators may carry an original manufacturer's warranty. Most hardware is general in nature and is easily obtained locally. Be sure to replace with minimum metric class 8.8 specification.