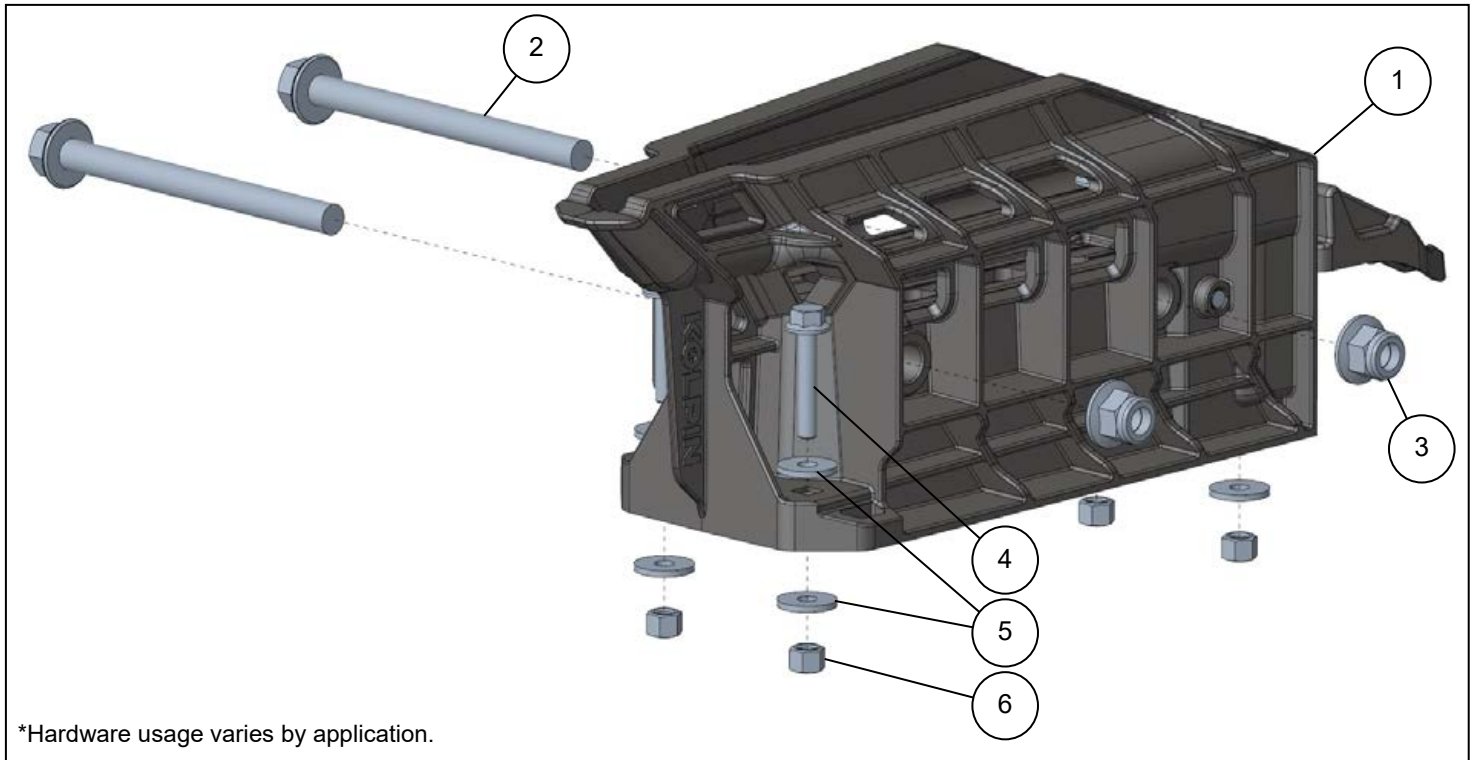


STRONGHOLD AUTO-LATCH

Product Instructions | Part No: 30816

KIT CONTENTS



REF	QTY	PART DESCRIPTION
1	1	Auto-Latch Bracket
2	2	M10 x 115mm Hex Bolt
3	2	M10 Locknut
4	4	M6 x 35mm Hex Bolt
5	8	M6 Washer
6	4	M6 Locknut

BEFORE YOU BEGIN

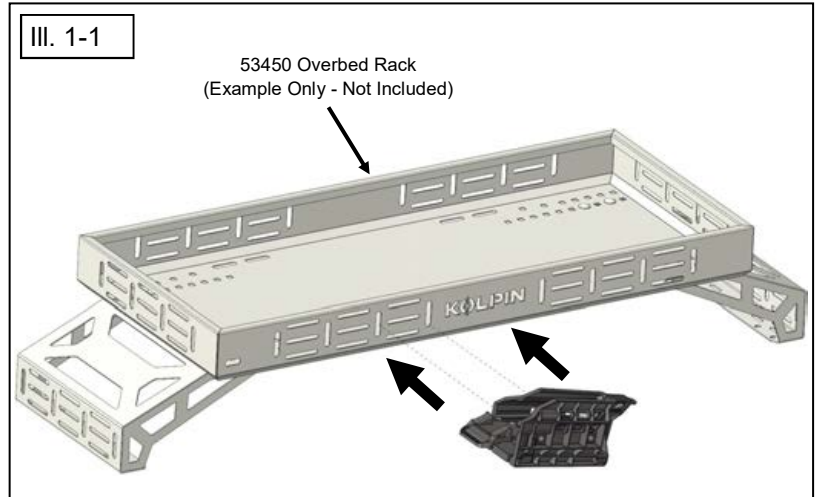
- Verify all parts and tools are accounted for. If parts are missing, do not return to the store. Please contact Kolpin customer service department at (877) 956-5746 or (763) 478-5800 or email customerservice@kolpin.com.
- Follow all steps correctly and in the sequence described.
- Keep these instructions for future reference or for informational requests.
- To facilitate installation, make sure that your vehicle is clean and free of debris.

ACCESSORY MOUNTING INSTRUCTIONS

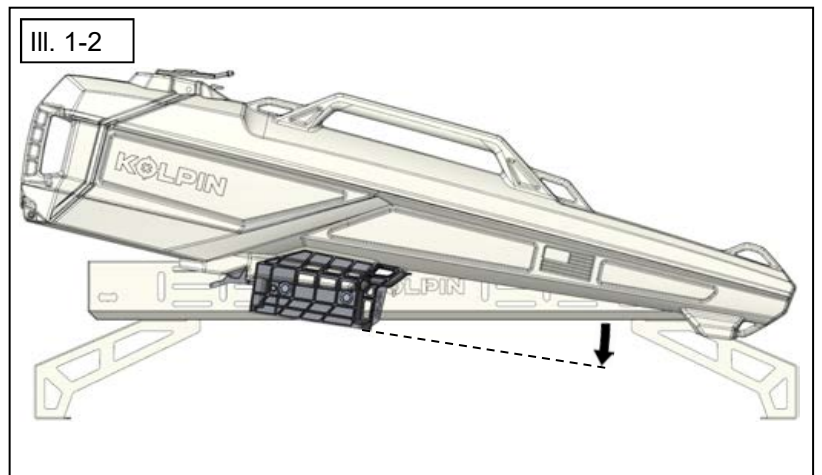
Note: This kit includes hardware for two different mounting configuration options. See options below.

Side Mounting Instructions:

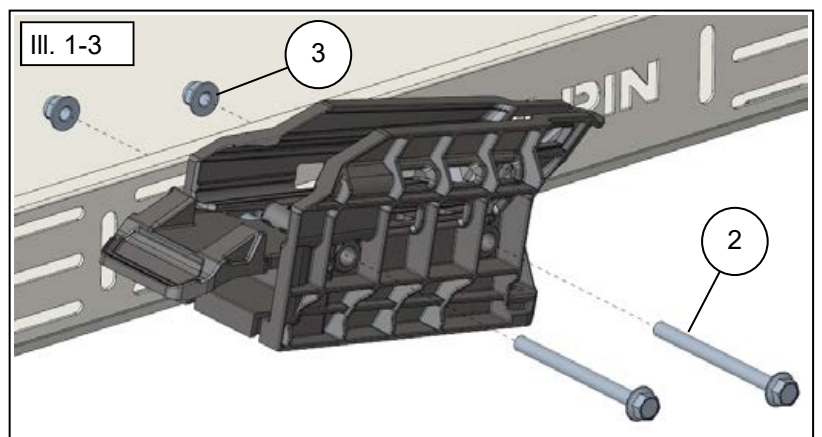
1. Place Auto-Latch Bracket in the preferred mounting location. See Illustration 1-1.



TIP: Angling the front of the Auto-Latch downward improves the retention of the Stronghold accessory. See Illustration 1-2.



2. Fasten Auto-Latch Bracket to the side mounting surface using two M10 x 115mm Hex Bolts and two M10 Lock-nuts. See Illustration 1-3.

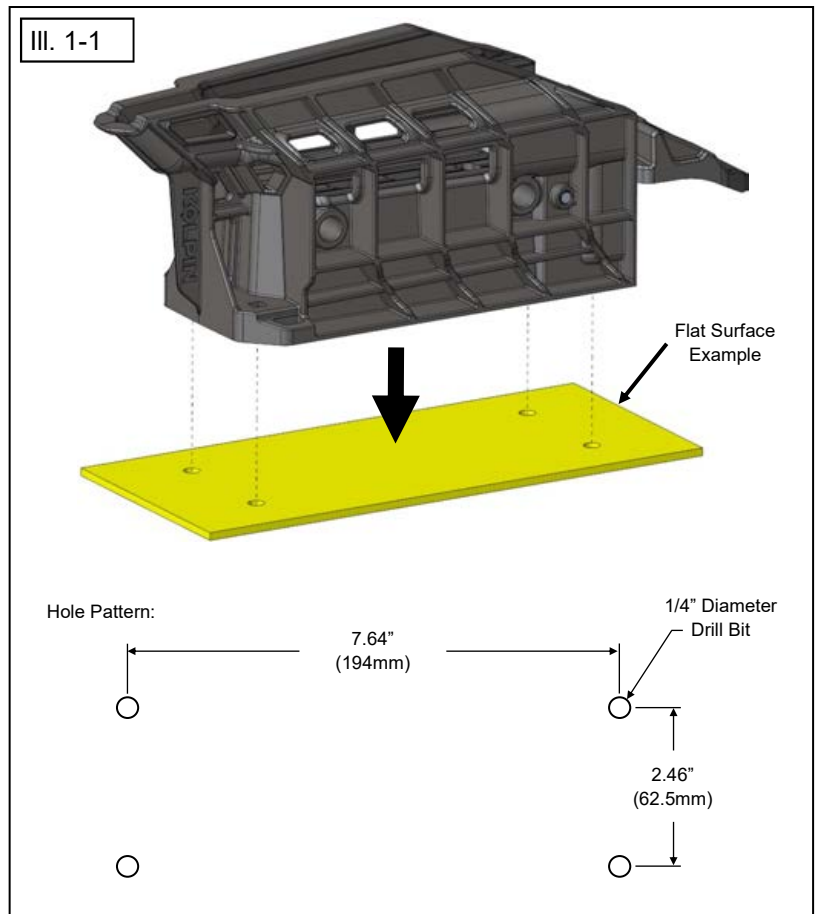


3. Tighten hardware.

ACCESSORY MOUNTING INSTRUCTIONS

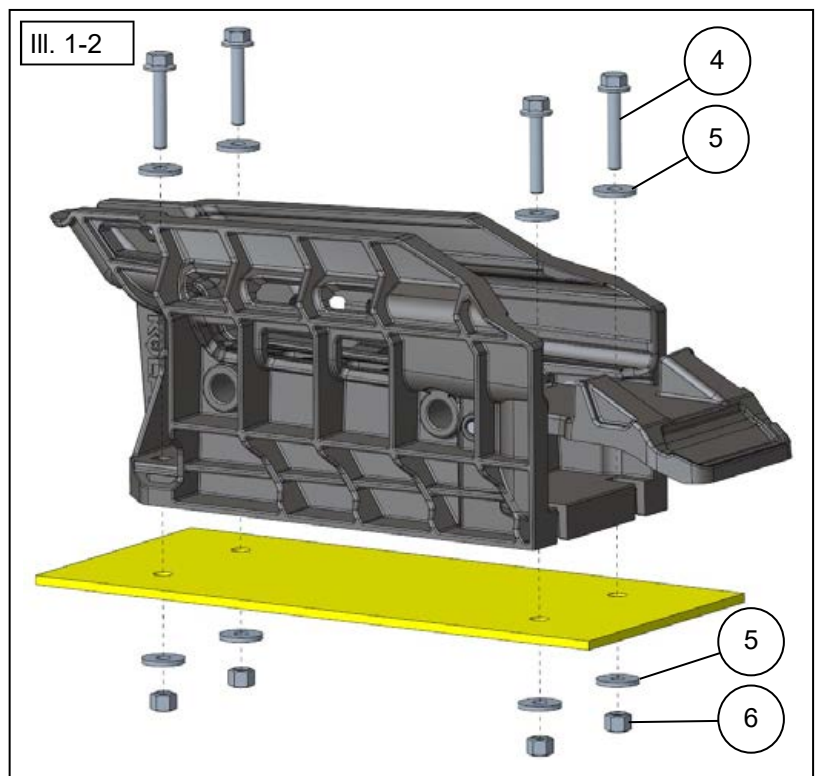
Bottom Mounting Instructions:

1. Determine mounting location for Auto-Latch Bracket on flat surface. If needed, drill the mating hole pattern as shown. See Illustration 1-1.



2. Fasten the Auto-Latch Bracket to the flat surface using four M6 x 35mm Hex Bolts, eight M6 Washers and four M6 Locknuts. See Illustration 1-2.

3. Tighten hardware.





USE AND CARE INFORMATION:

- Check the accessory mounts frequently and retighten if necessary.
- When this accessory becomes dirty, rinse thoroughly with cool water to remove loose dirt, then wipe with a clean cloth or sponge.
- Never use petroleum solvents such as gasoline, thinner, benzene, acid or alkaline cleaners.

ONE YEAR LIMITED WARRANTY

For the period of one (1) year from the purchase date, Kolpin will replace for the original purchaser, free of charge, any part or parts found upon examination by Kolpin to be defective in material, workmanship, or both.

All transportation costs incurred submitting product to Kolpin for warranty consideration must be borne by the purchaser. If Kolpin determines that the product must be returned to the factory for credit, please call 1-877-956-5746 for a Return Merchandise Authorization (RMA) number and shipping instructions.

This warranty does not apply to parts that have been damaged by accident, alteration, abuse, improper maintenance, normal wear, or other causes beyond the manufacturer's control. In order to protect you and your ATV, certain parts of the accessory system and/or hardware are designed to fail when the equipment is over-stressed. Parts that are lost due to loosening and improper maintenance are not covered under warranty. This warranty does not cover removal or reinstallation labor fees of the accessory system and related components. Most hardware is general in nature and is easily obtained locally. Be sure to replace with minimum metric class 8.8 specification.

Kolpin Outdoors, Inc.

Telephone: (763)-478-5800

Toll Free: (877)-956-5746

Fax Number: (800)-245-7569

Email: customerservice@kolpin.com

www.kolpin.com