



# STEEL SNOW PLOW BLADE (72") KIT

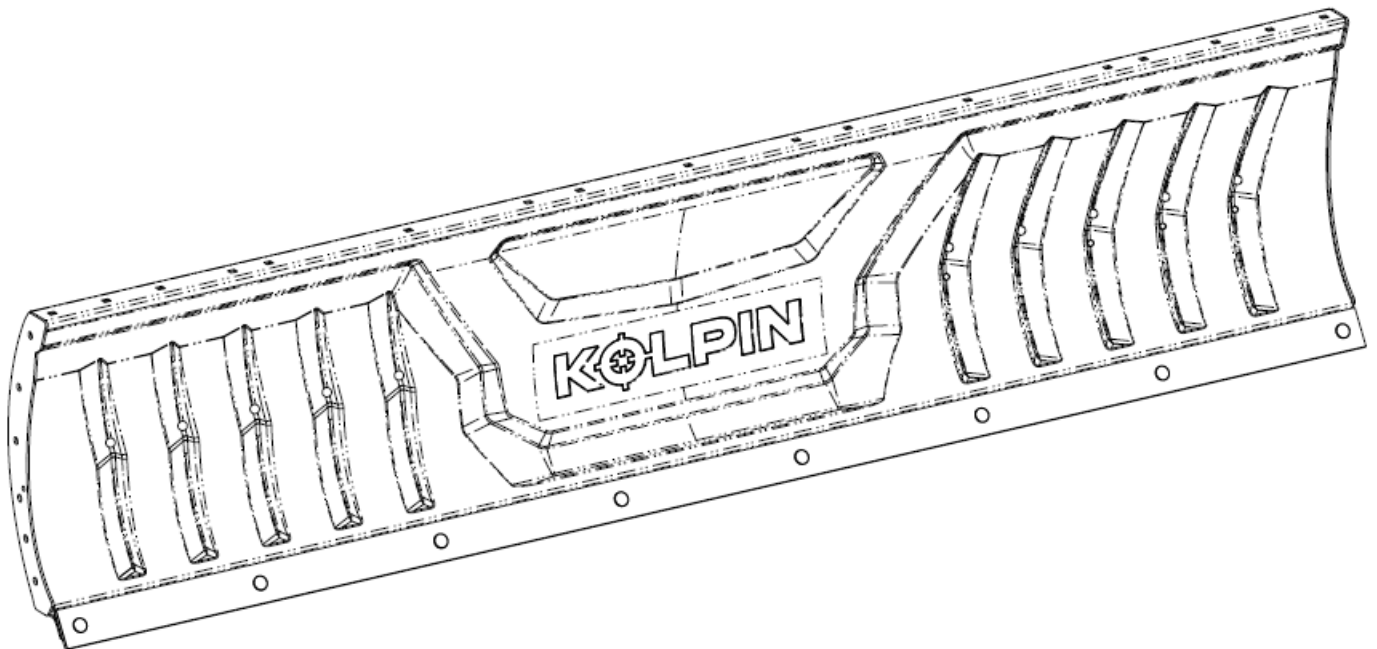
P/N 31-0072

## ASSEMBLY / SPARE PARTS MANUAL

### Application

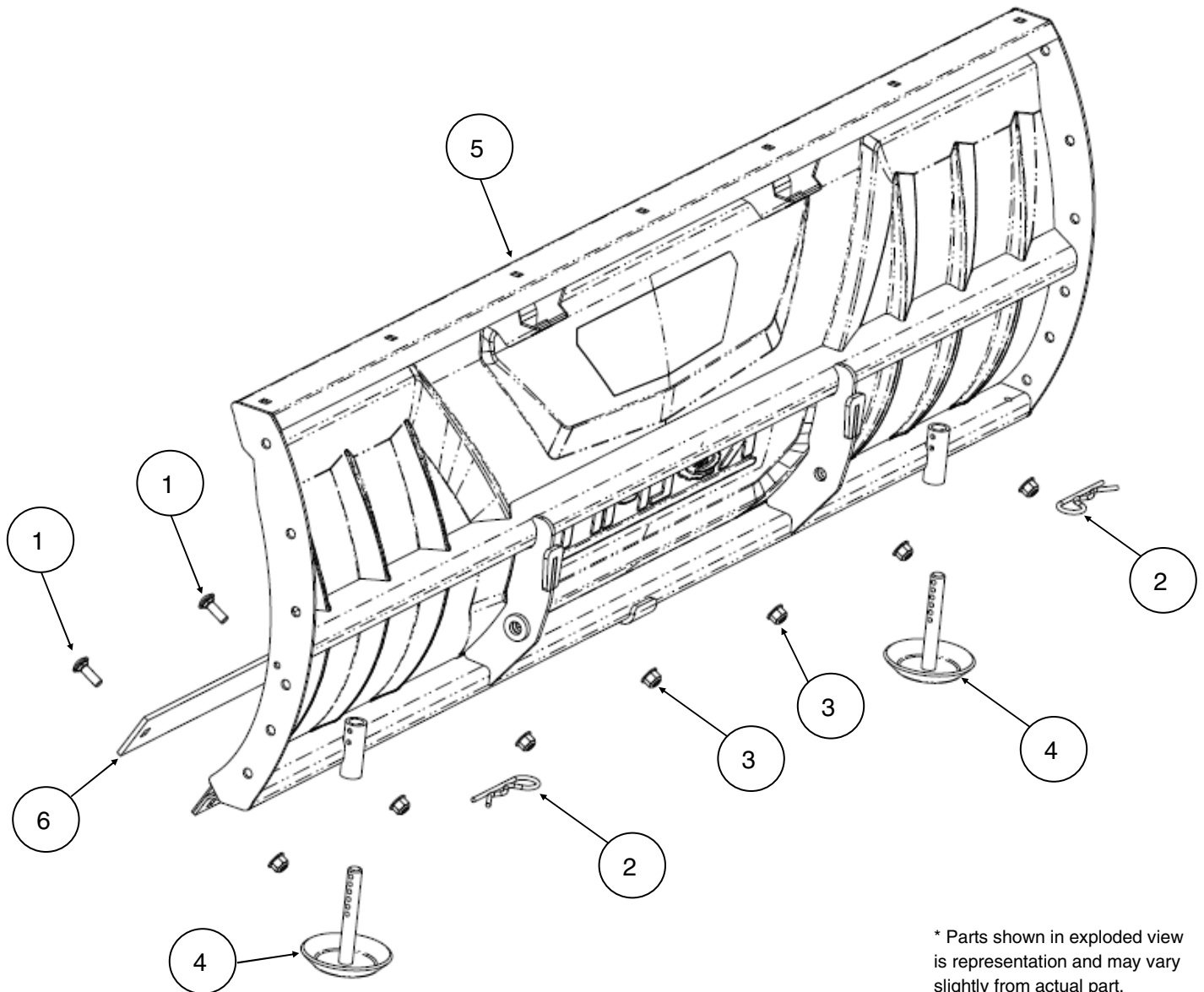
PLOW PUSH FRAME NO. 33-0000, 33-0070, 34-0000 or 34-0070

Before you begin, please read these instructions and check to be sure all parts and tools are accounted for. The following instructions contain details required to install and service the contents of this kit.



## Kit Contents:

Item	Qty	Part Description	Part Number
1	8	Carriage Bolt, Zinc Plated, M8-1.25 X 25mm LG	-
2	2	Hairpin Cotter Pin, Zinc Plated, 82mm LG, 4mm wire dia.	31-1156
3	8	Hex Flange Lock Nut, Zinc Plated, M8-1.25	-
4	1	Plow Shoe Kit	31-1255
5	1	72" Welded Steel Blade	-
6	1	Wear Bar Kit, 72"	31-1172
7	1	Top Decal	-
8	1	Instruction Guide (not shown)	-



\* Parts shown in exploded view is representation and may vary slightly from actual part.

## BEFORE YOU BEGIN:

- Your Kolpin accessory is exclusively designed for your vehicle.
- Please read and understand all instructions.
- Verify all parts and tools are accounted for.
- To ensure a satisfactory installation, follow all steps correctly and in the sequence described.
- Keep these instructions for future reference or for informational requests.
- To facilitate installation, make sure that your vehicle is clean and free of debris.
- All directions referring to right and left are when the rider is sitting on the machine.

## TOOLS REQUIRED:

- 13mm Wrench
- 13mm Socket

## APPROXIMATE ASSEMBLY TIME: 15 minutes

Note: The Kolpin Steel Snow Plow Blade kit comes fully assembled from factory.

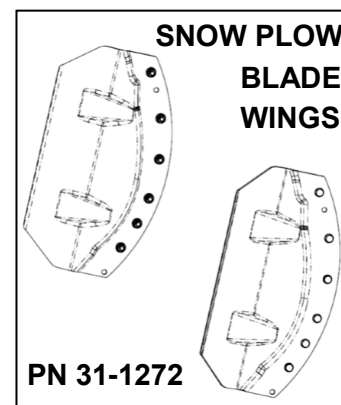
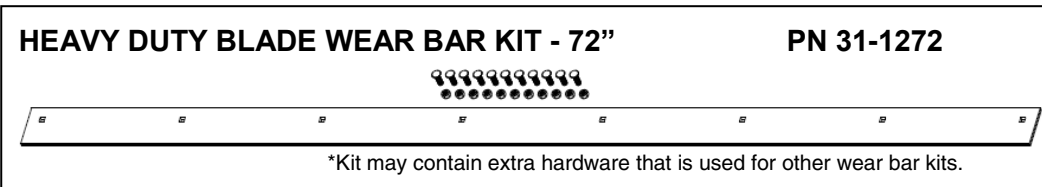
## SPARE KIT INFORMATION:

SPARE KITS		Std Wear bar kit PN 31-1172	Skid shoe kit PN 31-1255	R-pin kit PN 31-1156	Wear bar bolt kit PN 12-0010
Item	Description				
1	M8-1.25 x 25 mm carriage bolt	8x			11x
2	R-pin		2x	2x	
3	M8-1.25 Flange Locknut	8x			11x
4	Skid shoe		2x		
5	Blade (72")				
6	72" Std Wear bar	1x			

## USE AND CARE INFORMATION:

Note: The wear bar cutting edge is double-sided, so when bottom side wears thin, flip the bar over and use the top side for extended cutting edge life.

## OPTIONAL ACCESSORIES:



## OPERATING INSTRUCTIONS

Congratulations! You've just purchased one of the industry's top plow system component. The Kolpin Steel Snow Plow Blade works great for all types of plowing. With proper care and maintenance, your plow blade will last for many years! The 72" (183 cm) Blade Assembly allows for quality snow moving capacity and snow roll-over characteristics. Additionally, this blade will handle light to medium-duty summer landscape work.

### NOTICE

**Plow operation requires additional components for operation: *Kolpin Storm Chaser Plow Push Frame, High Rise Plow Push Frame, Winch Kit, Mid-Body ATV / UTV Plow Mount* \***

*\*These components may be specific to your vehicle.*

Please read and understand all assembly instructions, notices and warnings before assembling and operating your plow system.

#### Follow these guidelines to ensure satisfactory operation:

- Read this manual and your ATV/ UTV operators manual before use.
- Periodically check for wear and tightness of all fasteners. Replace or re-torque fasteners as necessary.
- Before first use, set plow in the furthest right or left angled position to check for clearance between the plow and front tires.
- Operate with extreme caution on slopes and rough terrain. Be familiar with the area before you plow.
- Be aware of immovable objects that could be hidden in the area you are plowing.
- To avoid damage when pushing snow into a pile, reverse direction before raising the plow blade.
- Do not ram the plow blade into piles of snow.
- For best results, set the suspension preload of your ATV/ UTV to the stiffest setting.
- To reduce steering effort and increase mobility, set the air pressure of your tires to the maximum pressure specification.
- The plow skids are adjustable. General skid setting is even with the plow wear bar bottom edge, higher settings reduce the chance of rocks and gravel from being collected.
- To increase traction during plow operation, operators can try: Securing weight to the ATV/ UTV for additional tire downforce, reducing tire air pressure, or installing tire chains.

## SAFETY INFORMATION

Our plow systems were designed with your safety in mind. Please read and understand all Cautions, Notices and Warnings in this manual before you begin. In order to protect you and your ATV, certain parts of the plow system and/or hardware are designed to fail when the equipment is over-stressed.

### **WARNING**

#### TO AVOID SERIOUS INJURY OR DEATH:

1. **DO NOT EXCEED 5 MPH (8 KMH) WITH BLADE INSTALLED**
2. **OPERATE WITH EXTREME CAUTION ON SLOPES, STEEP GRADES, AND ROUGH TERRAIN**
3. **ALLOW NO RIDERS ON BLADE OR ATV WHILE MOVING OR STATIONARY**
4. **KEEP BYSTANDERS AWAY FROM THE BLADE OR ATV WHILE MOVING OR STATIONARY**
5. **WHEN PUSHING HEAVY MATERIAL, DIRECTION CONTROL MAY BECOME DIFFICULT**
6. **BEFORE ADJUSTING BLADE: STOP ATV ENGINE; SET AND LOCK BRAKES; RAISE AND LOCK BLADE**
7. **LOWER BLADE TO DOWN POSITION WHEN BLADE AND ATV ARE NOT IN USE**
8. **READ BLADE INSTRUCTION SHEETS AND ATV OWNER'S MANUAL**



## One Year Limited Warranty

For the period of one (1) year from the purchase date, Kolpin will replace for the original purchaser, free of charge, any part or parts found upon examination by Kolpin to be defective in material, workmanship, or both.

All transportation costs incurred submitting product to Kolpin for warranty consideration must be borne by the purchaser. If Kolpin determines that the product must be returned to the factory for credit, please call 1-877-956-5746 for a Return Merchandise Authorization (RMA) number and shipping instructions.

This warranty does not apply to parts that have been damaged by accident, alteration, abuse, improper maintenance, normal wear, or other causes beyond the manufacturer's control. In order to protect you and your ATV, certain parts of the plow system and/or hardware are designed to fail when the equipment is over-stressed. Parts that are lost due to loosening and improper maintenance are not covered under warranty. This warranty does not cover removal or reinstallation labor fees of the plow system and related components.

Peripheral products such as engines, electric motors, and actuators may carry an original manufacturer's warranty. Most hardware is general in nature and is easily obtained locally. Be sure to replace with minimum metric class 8.8 specification.

**Kolpin Outdoors, Inc.**

**Telephone: (763)-478-5800**

**Toll Free: (877)-956-5746**

**Fax Number: (800)-245-7569**

**[www.kolpin.com](http://www.kolpin.com)**

**Email: [customerservice@kolpin.com](mailto:customerservice@kolpin.com)**