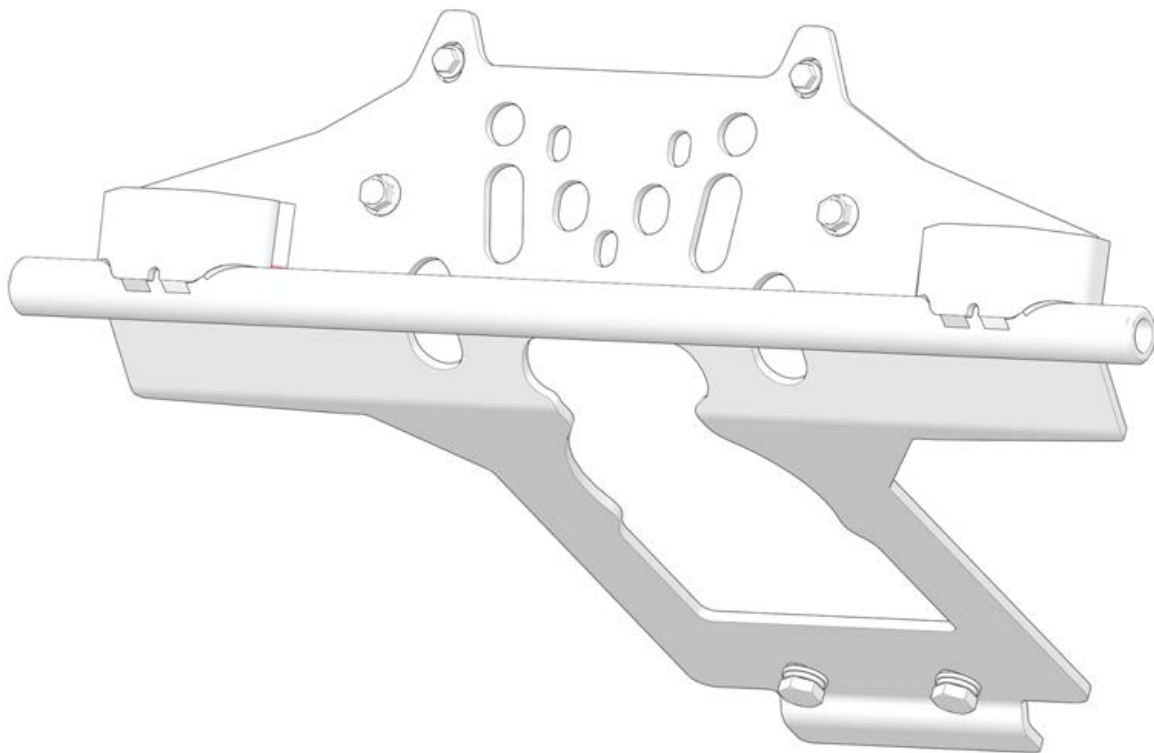


# **PLOW MOUNTING BRACKET**

## **Assembly / Owner's Manual**

**APPLICATION: RZR S, RZR 900, RZR 900 Trail, RZR XP**  
Verify accessory fitment at [Kolpin.com](https://www.kolpin.com)



## INTRO

Thank you for purchasing Kolpin® engineered products. With proper installation, usage, care, and maintenance, your Kolpin® product will last for years to come.

## BEFORE YOU BEGIN

- Read and understand the entire installation manual, including all installation instructions, operating instructions, safety warnings and guidelines before installing or operating your accessory. Failure to comply may result in damage to the product and / or vehicle, and can lead to hazards up to and including death.
- Verify all parts and tools are accounted for. If parts are missing, do not return to the store. Call us for help, **Toll Free 1-877-956- 5746**
- Follow all steps correctly and in the sequence described.
- Keep these instructions for future reference or for informational requests.
- To facilitate installation, make sure that your vehicle is clean and free of debris.
- All directions referring to right and left are from the rider perspective when sitting on the machine.

## ASSEMBLY TIME

Approximately 18 minutes

## SAFETY INFORMATION

Please read and understand all Cautions, Notices, and Warnings in this manual before you begin. In order to protect you and your ATV / UTV, certain parts of the plow system and / or hardware are designed to fail when the equipment is over-stressed.

### Follow these guidelines to ensure satisfactory operation:

- Read this manual and your ATV / UTV operators manual before use.
- Periodically check for wear and tightness of all fasteners. Replace or re-torque fasteners as necessary.
- Before first use, set plow in the furthest right or left angled position to check for interference with the vehicle.
- Operate with extreme caution on slopes and rough terrain. Be familiar with the area before you plow.
- Be aware of immovable objects that could be hidden in the area you are plowing.
- To avoid damage when pushing snow into a pile, reverse direction before raising the plow blade.
- Do not ram the plow blade into piles of snow.
- For best results, set the suspension preload of your ATV / UTV to the stiffest setting.
- To reduce steering effort and increase mobility, set the air pressure of your tires to the maximum pressure specification.
- The plow skids are adjustable. General skid setting is even with the plow wear bar bottom edge, higher settings reduce the chance of rocks and gravel from being collected.
- To increase traction during plow operation, operators can try: Securing weight to the ATV / UTV for additional tire downforce, reducing tire air pressure, or installing tire chains.

**⚠ WARNING**

To avoid serious injury or death:

- Do not exceed 5 mph (8 km/h) with blade installed.
- Operate with extreme caution on slopes, steep grades, and rough terrain.
- Allow no riders on blade or ATV / UTV while moving or stationary.
- Keep bystanders away from the blade or ATV / UTV while moving or stationary.
- When pushing heavy material, direction control may become difficult.
- Before adjusting blade: stop ATV / UTV engine, set and lock brakes, raise and lock blade in up position.
- Do not attempt to raise blade by hand, use the lift mechanism only.
- Lower blade to down position when blade and ATV / UTV are not in use.
- Read blade instruction sheets and ATV / UTV Owner's Manual.

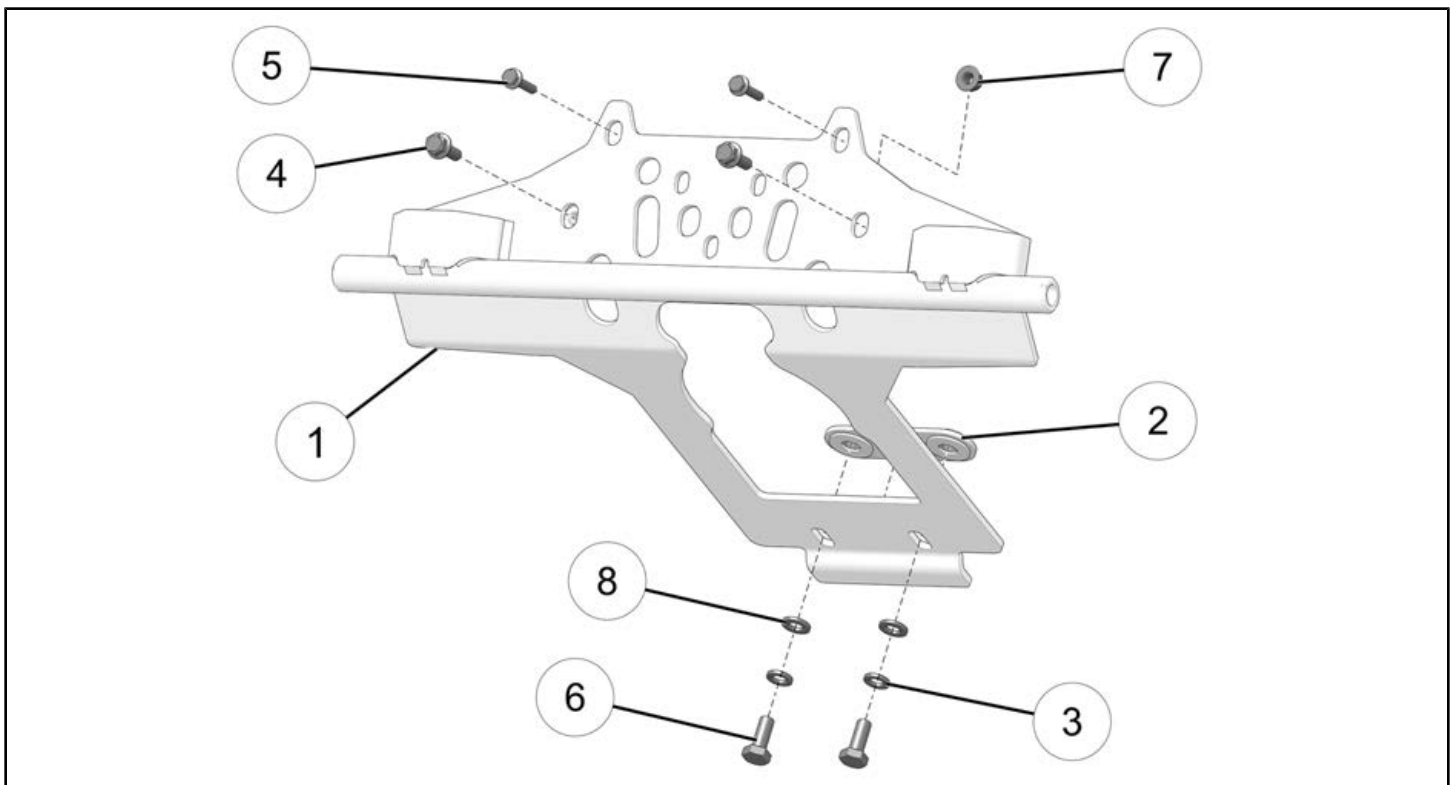
### **REQUIRED SOLD SEPARATELY**

Only parts for installation of the Plow Mounting Bracket Kit are included. For complete snow plow system installation, additional items are required such as a plow push frame, vehicle plow mount, winch, and winch mount. See [www.Kolpin.com](http://www.Kolpin.com) for products to complete your plow system.

### **TOOLS REQUIRED**

- Safety Glasses
- Socket Set, Metric
- Torque Wrench
- Wrench Set, Metric

## KIT CONTENTS



REF	QTY	PART DESCRIPTION	PART NUMBER
1	1	Plow Mount	n/a
2	1	Plate	n/a
3	2	Washer – 10.2 x 18.1 x 2.2 mm	n/a
4	2	Screw – Hex Flange M8 x 1.25 x 25 mm	7518514
5	2	Screw – Hex Flange M6 x 1.0 x 30 mm	7518530
6	2	Screw – Hex Head M10 x 1.5 x 25 mm	7519308
7	2	Nut – Flange M8 x 1.25 mm Nyloc	7547332
8	2	Washer – 10.5 x 20.0 x 2.0 mm	7556234

# INSTALLATION INSTRUCTIONS

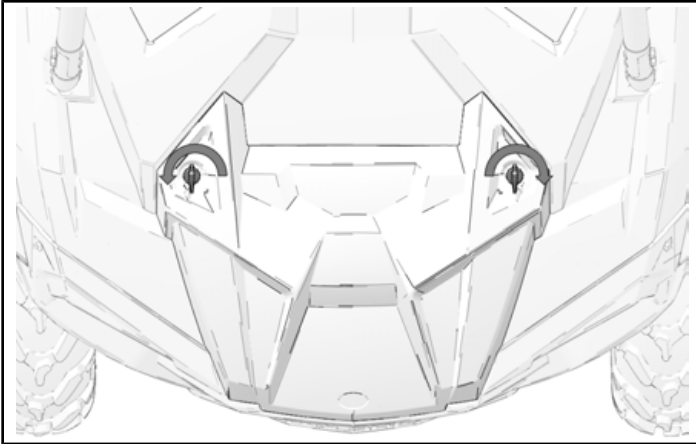
## VEHICLE PREPARATION

### GENERAL

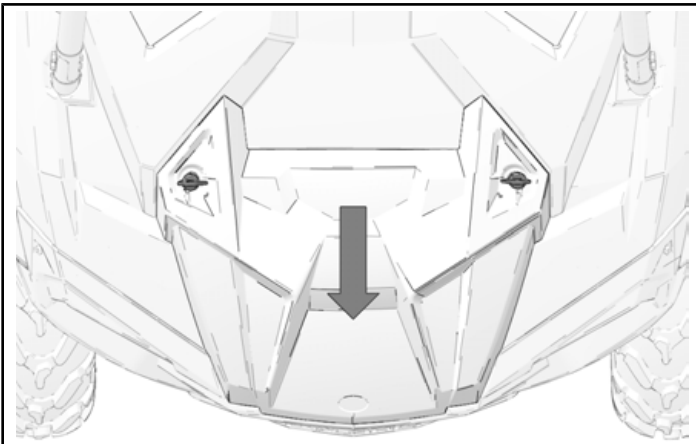
1. Park vehicle on a flat surface.
2. Shift vehicle into PARK.
3. Turn key to OFF position and remove key.

### VEHICLE DISASSEMBLY

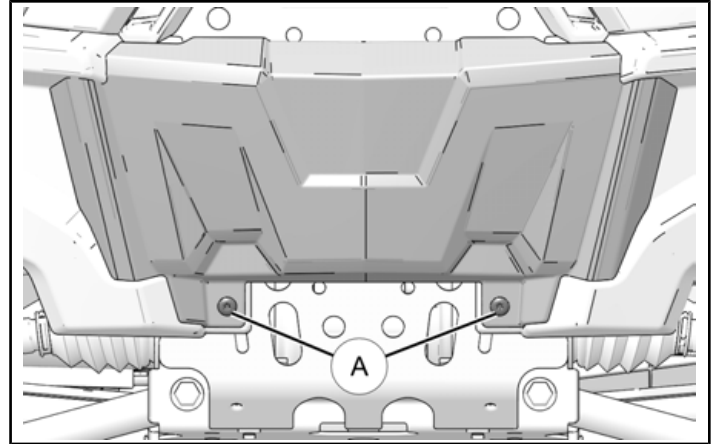
1. Turn quarter-turn fasteners to unlock the hood from the vehicle.



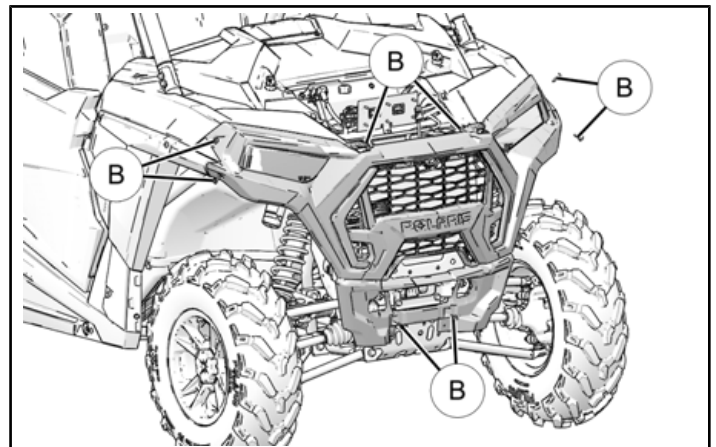
2. Move the hood forward to remove from the vehicle.



3. Remove and keep the two screws (A). Remove the winch cover.



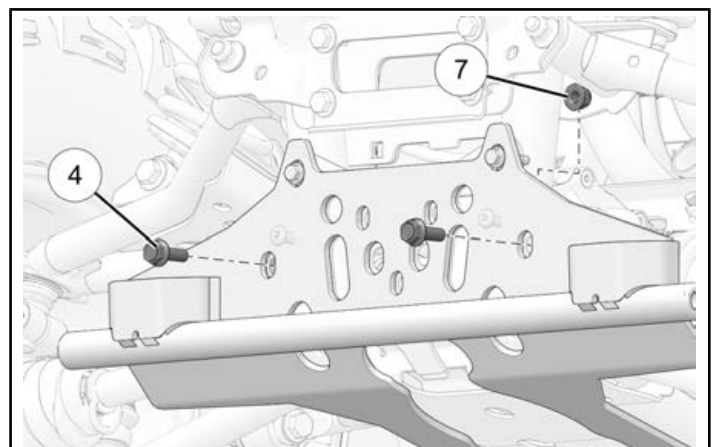
4. Remove and keep the eight screws (B) to remove the front fascia.



## ACCESSORY INSTALLATION

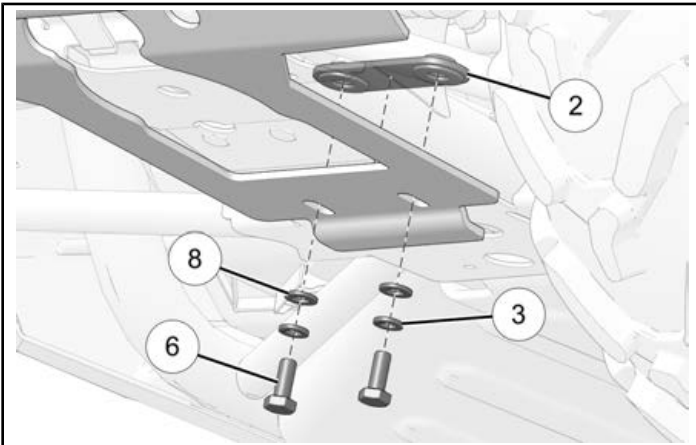
1. Loosely install the two screws (4) and two nuts (7) to the mounting bracket.

Do not torque screws at this time.



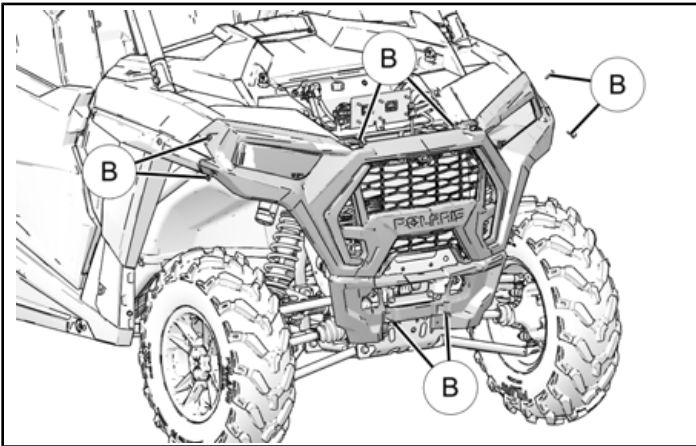
2. Install the rear nut plate ② behind the front gearcase. Install the lock washers ⑧ first, then the flat washers ③, and loosely install the screws ⑥ through the mounting bracket.

Do not torque screws at this time.



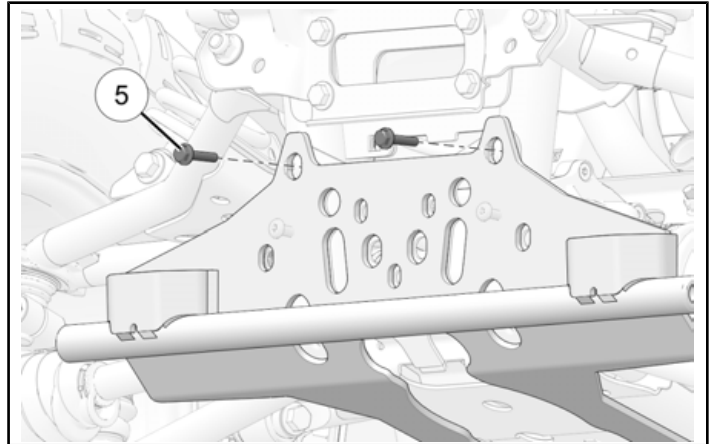
## VEHICLE REASSEMBLY

1. Install the front fascia with the eight screws ⑧.



2. Loosely install the two screws ⑤ to the plow mounting bracket.

Do not torque screws at this time.



### NOTE

The two screws ⑤ replace the grille screws.

3. Torque all screws to specification.

**TORQUE**

Screws ⑥:  
**34 ft-lbs (46 N·m)**

**TORQUE**

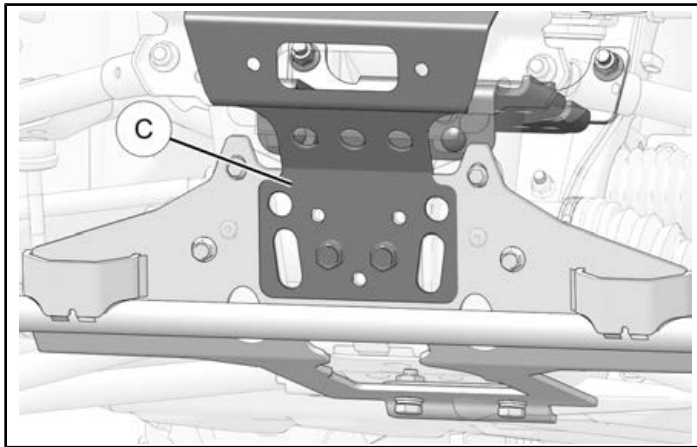
Screws ④:  
**17 ft-lbs (23 N·m)**

**TORQUE**

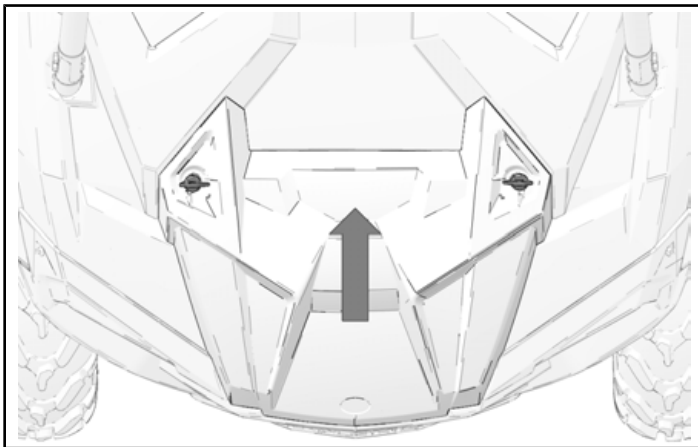
Screws ⑤:  
**7 ft-lbs (9 N·m)**

**NOTICE**

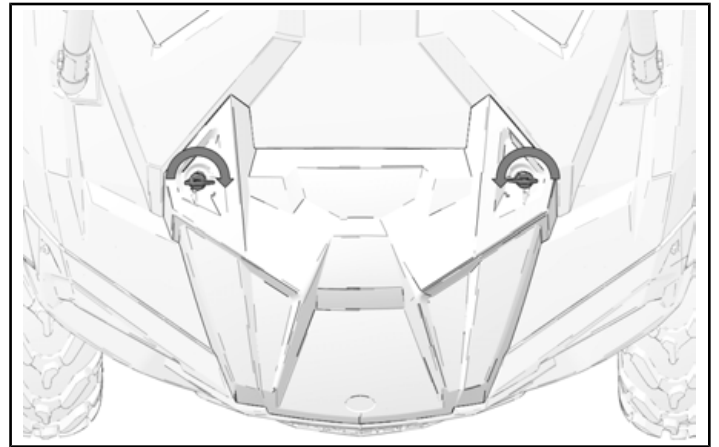
If the 35-3030 plow mount is used with a Kolpin RZR winch bracket, install the plow mount first, and the winch fairlead bracket ③ second.



4. Move the hood rearward.



5. Turn the quarter-turn fasteners to lock the hood to the vehicle.





## WARRANTY



### TWO YEAR LIMITED WARRANTY

For the period of two (2) years from the purchase date, Kolpin will replace for the original purchaser, free of charge, any part or parts found upon examination by Kolpin to be defective in material, workmanship, or both.

All transportation costs incurred submitting product to Kolpin for warranty consideration must be borne by the purchaser. If Kolpin determines that the product must be returned to the factory for credit, please call 1-877-956-5746 for a Return Merchandise Authorization (RMA) number and shipping instructions.

This warranty does not apply to parts that have been damaged by accident, alteration, abuse, improper maintenance, normal wear, or other causes beyond the manufacturer's control. In order to protect you and your ATV, certain parts of the plow system and/or hardware are designed to fail when the equipment is over-stressed. Parts that are lost due to loosening and improper maintenance are not covered under warranty. This warranty does not cover removal or reinstallation labor fees of the plow system and related components.

Peripheral products such as engines, electric motors, and actuators may carry an original manufacturer's warranty. Most hardware is general in nature and is easily obtained locally. Be sure to replace with minimum metric class 8.8 specification.

**Kolpin Outdoors, Inc.**

**Telephone: (763)-478-5800**

**Toll Free: (877)-956-5746**

**Fax Number: (800)-245-7569**

**[www.Kolpin.com](http://www.Kolpin.com)**

**Email: [customerservice@kolpin.com](mailto:customerservice@kolpin.com)**