



# FRONT-CONNECT PLOW MOUNT KIT

FOR CAN-AM COMMANDER

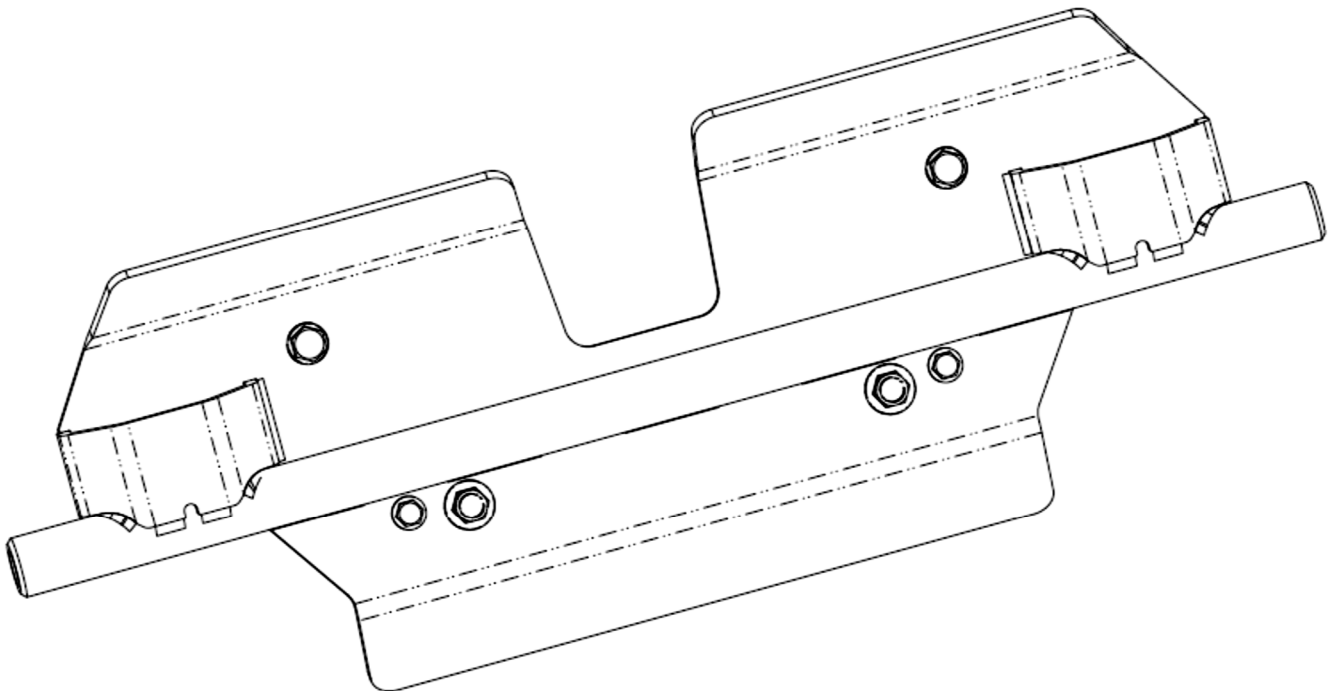
P/N 35-7010

ASSEMBLY / INSTALLATION MANUAL

Application

FRONT-CONNECT PLOW PUSH FRAME NO. 35-0070

Before you begin, please read these instructions and check to be sure all parts and tools are accounted for. The following instructions contain details required to install and service the contents of this kit.



## INTRO

Thank you for purchasing Kolpin engineered products. With proper installation, usage, care, and maintenance, your Kolpin product will last for years to come.

## BEFORE YOU BEGIN

- Your Kolpin accessory is exclusively designed for your vehicle.
- Read and understand the entire installation manual, including all installation instructions, operating instructions, safety warnings and guidelines before installing or operating your accessory. Failure to comply may result in damage to the product and / or vehicle, and can lead to hazards up to and including death.
- Verify all parts and tools are accounted for. If parts are missing, do not return to the store. Call us for help, **Toll Free 1-877-956- 5746**
- Follow all steps correctly and in the sequence described.
- Keep these instructions for future reference or for informational requests.
- To facilitate installation, make sure that your vehicle is clean and free of debris.
- All directions referring to right and left are from the rider perspective when sitting on the machine.

## ASSEMBLY TIME

Approximately 21 minutes

## SAFETY INFORMATION

Please read and understand all Cautions, Notices, and Warnings in this manual before you begin. In order to protect you and your ATV / UTV, certain parts of the plow system and / or hardware are designed to fail when the equipment is over-stressed.

**Follow these guidelines to ensure satisfactory operation:**

- Read this manual and your ATV / UTV operators manual before use.
- Periodically check for wear and tightness of all fasteners. Replace or re-torque fasteners as necessary.
- Before first use, set plow in the furthest right or left angled position to check for interference with the vehicle.
- Operate with extreme caution on slopes and rough terrain. Be familiar with the area before you plow.
- Be aware of immovable objects that could be hidden in the area you are plowing.
- To avoid damage when pushing snow into a pile, reverse direction before raising the plow blade.
- Do not ram the plow blade into piles of snow.
- For best results, set the suspension preload of your ATV / UTV to the stiffest setting.
- To reduce steering effort and increase mobility, set the air pressure of your tires to the maximum pressure specification.
- The plow skids are adjustable. General skid setting is even with the plow wear bar bottom edge, higher settings reduce the chance of rocks and gravel from being collected.
- To increase traction during plow operation, operators can try: Securing weight to the ATV / UTV for additional tire downforce, reducing tire air pressure, or installing tire chains.



## WARNING



### TO AVOID SERIOUS INJURY OR DEATH:

1. DO NOT EXCEED 5 MPH (8 KMH) WITH BLADE INSTALLED
2. OPERATE WITH EXTREME CAUTION ON SLOPES, STEEP GRADES, AND ROUGH TERRAIN
3. ALLOW NO RIDERS ON BLADE OR ATV WHILE MOVING OR STATIONARY
4. KEEP BYSTANDERS AWAY FROM THE BLADE OR ATV WHILE MOVING OR STATIONARY
5. WHEN PUSHING HEAVY MATERIAL, DIRECTION CONTROL MAY BECOME DIFFICULT
6. BEFORE ADJUSTING BLADE: STOP ATV ENGINE; SET AND LOCK BRAKES; RAISE AND LOCK BLADE
7. LOWER BLADE TO DOWN POSITION WHEN BLADE AND ATV ARE NOT IN USE
8. READ BLADE INSTRUCTION SHEETS AND ATV OWNER'S MANUAL

## REQUIRED SOLD SEPARATELY

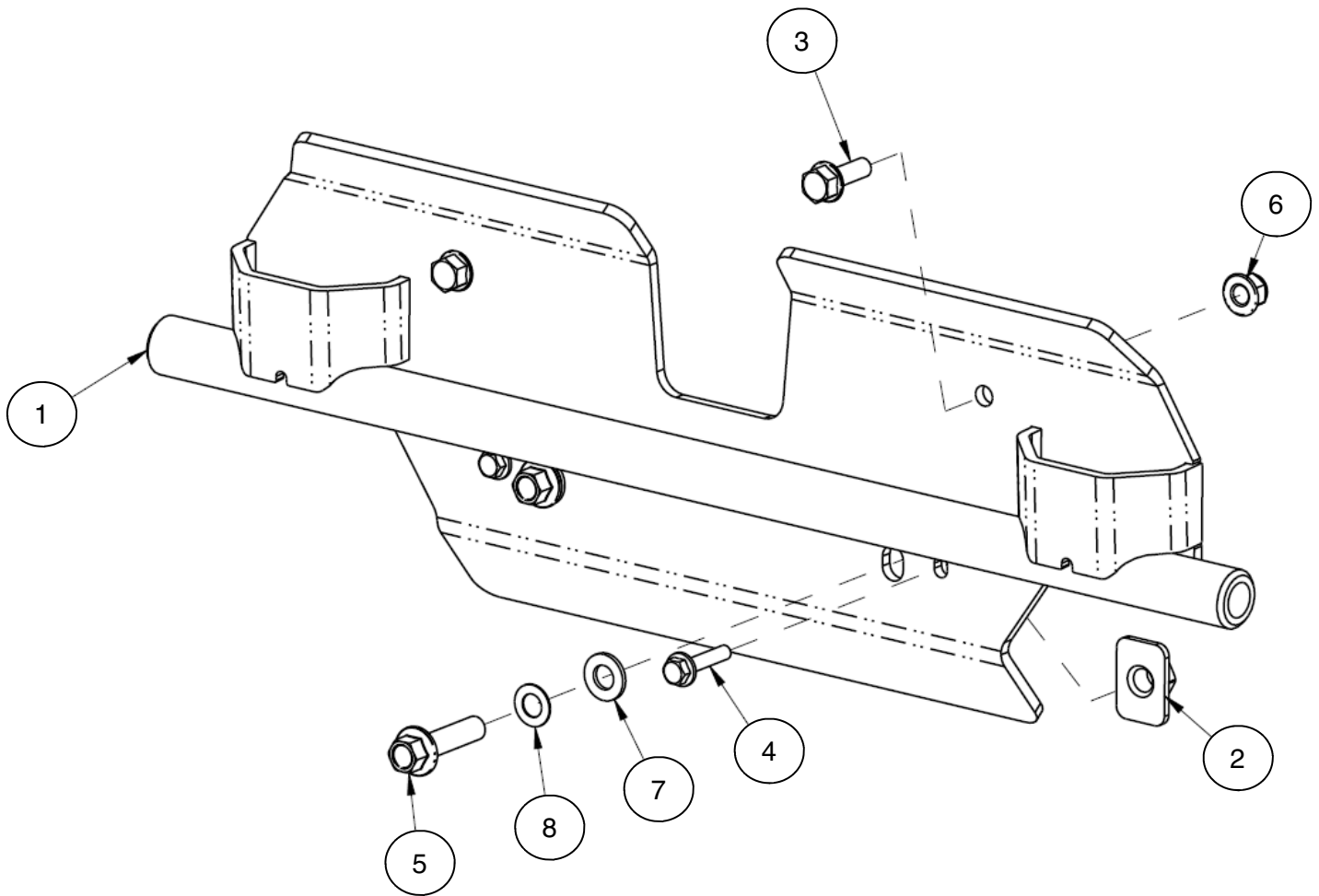
Only parts for installation of the Plow Mounting Bracket Kit are included. For complete snow plow system installation, additional items are required such as a plow push frame, vehicle plow mount, winch, and winch mount. See [www.Kolpin.com](http://www.Kolpin.com) for products to complete your plow system.

## TOOLS REQUIRED

- Safety Glasses
- Socket Set, Metric
- Torque Wrench
- Wrench Set, Metric
- Drill
- 3/8" Drill Bit

## KIT CONTENTS

Item	Qty	Part Description	Part Number
1	1	Commander Mounting Bracket	-
2	2	Nut Plate, Painted, M10-1.5	-
3	2	Hex Flange Bolt, Zinc Plated, M8-1.25 x 25mm LG	-
4	2	Hex Flange Bolt, Zinc Plated, M6-1.0 x 30mm LG	-
5	2	Hex Flange Bolt, Zinc Plated, M10-1.50 x 40mm LG	-
6	2	Hex Flange Locknut, Zinc Plated, M8-1.25	-
7	2	Flat Washer, Zinc Plated, M10	-
8	2	Lock Washer, Zinc Plated, M10	-
9	1	Instruction Guide (not shown)	-



# INSTALLATION INSTRUCTIONS

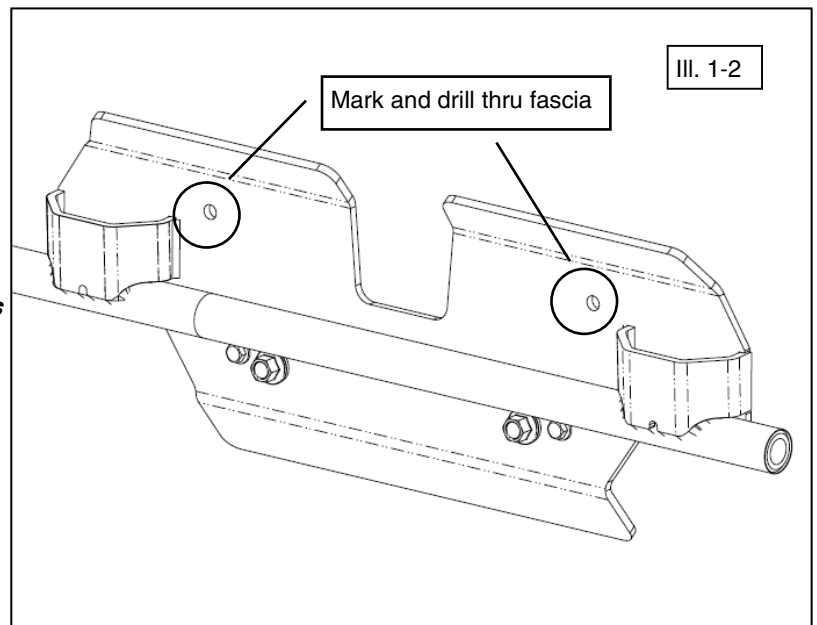
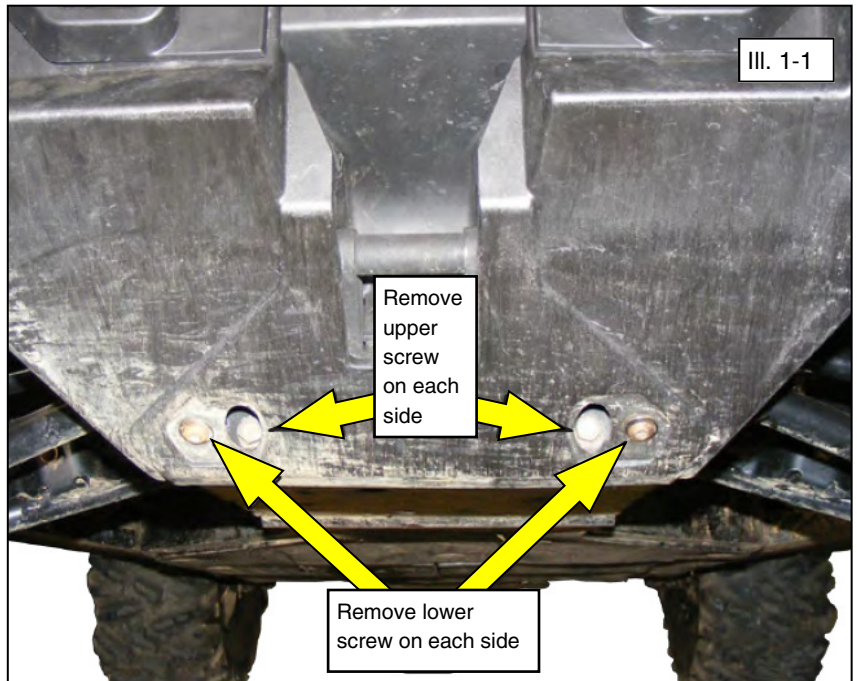
## VEHICLE PREPARATION

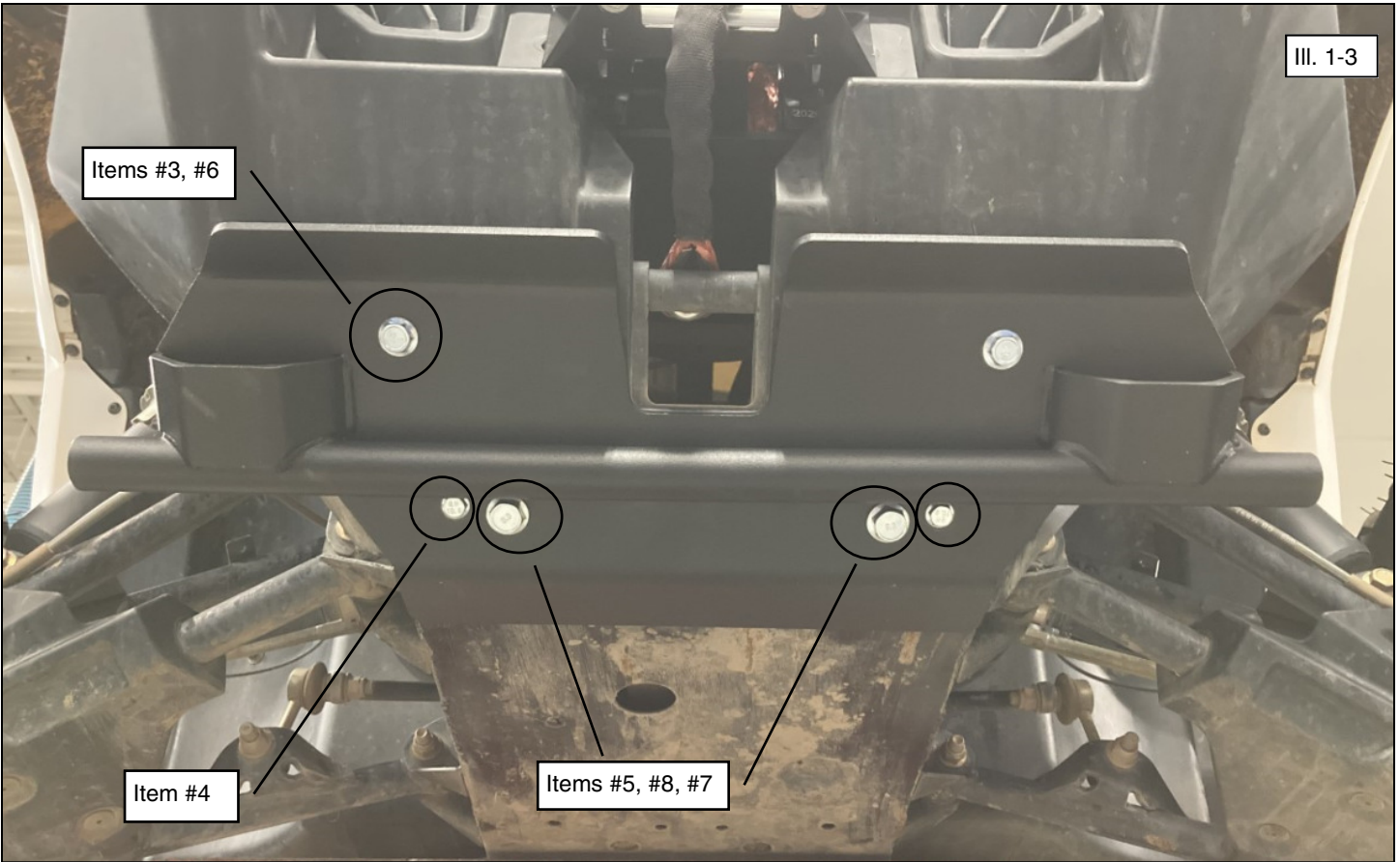
### GENERAL

1. Park vehicle on a flat surface.
2. Shift vehicle into park.
3. Turn key to OFF position and remove key.

## ACCESSORY INSTALLATION

4. Remove the M6 lower bumper screws on each side, two total. Remove the two upper bumper screw on each side as shown. (See illustration 1-1). **Note, OEM screws will not be re-used with plow mounting plate. Save for install when plow mount is removed during off-season.**
5. Position the nut plates (item #2) behind the two upper screw holes previously removed.
6. Position mounting bracket (item #1) on vehicle front bumper and loosely install mount using the M10 screws (item #5) with lock washers (item #8) and flat washers (item #7). Loosely install the M6 screws (item #4) into the lower holes as shown. (See illustration 1-3). **Note, do not tighten hardware at this time.**
7. The mount bracket will be used as a template to mark the upper holes for drilling. Remove the mount bracket and drill the holes using 3/8" drill bit. (See illustration 1-2). **Note, the drilled holes will have exposed metal, touch-up the exposed edges using black spray paint.**

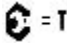


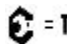


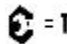
## ACCESSORY INSTALLATION

### (continued)

8. Install the mount bracket (item #1) using the M10 hardware (items #5, #8, #7) through the mounting plate into the M10 nut plates (item #2). Install the two upper M8 screws (item #3) with two M8 locknuts (item #6) through the drilled holes into the vehicle bumper. Install the two M6 screws (item #4) through mounting plate and into vehicle bumper. (See illustration 1-3).
9. Tighten all hardware to specifications.

 = T
<b>10MM FASTENER TORQUE:</b> 34 ft. lbs. (46 Nm)

 = T
<b>8MM FASTENER TORQUE:</b> 17 ft. lbs. (23 Nm)

 = T
<b>6MM FASTENER TORQUE:</b> 7 ft. lbs. (9 Nm)

## WARRANTY



### Two Year Limited Warranty

For the period of two (2) years from the purchase date, Kolpin will replace for the original purchaser, free of charge, any part or parts found upon examination by Kolpin to be defective in material, workmanship, or both.

All transportation costs incurred submitting product to Kolpin for warranty consideration must be borne by the purchaser. If Kolpin determines that the product must be returned to the factory for credit, please call 1-877-956-5746 for a Return Merchandise Authorization (RMA) number and shipping instructions.

This warranty does not apply to parts that have been damaged by accident, alteration, abuse, improper maintenance, normal wear, or other causes beyond the manufacturer's control. In order to protect you and your ATV, certain parts of the plow system and/or hardware are designed to fail when the equipment is over-stressed. Parts that are lost due to loosening and improper maintenance are not covered under warranty. This warranty does not cover removal or reinstallation labor fees of the plow system and related components.

Peripheral products such as engines, electric motors, and actuators may carry an original manufacturer's warranty. Most hardware is general in nature and is easily obtained locally. Be sure to replace with minimum metric class 8.8 specification.

**Kolpin Outdoors, Inc.**

**Telephone: (763)-478-5800**

**Toll Free: (877)-956-5746**

**Fax Number: (800)-245-7569**

**[www.kolpin.com](http://www.kolpin.com)**

**Email: [customerservice@kolpin.com](mailto:customerservice@kolpin.com)**