

UTV Aluminum Bed Box

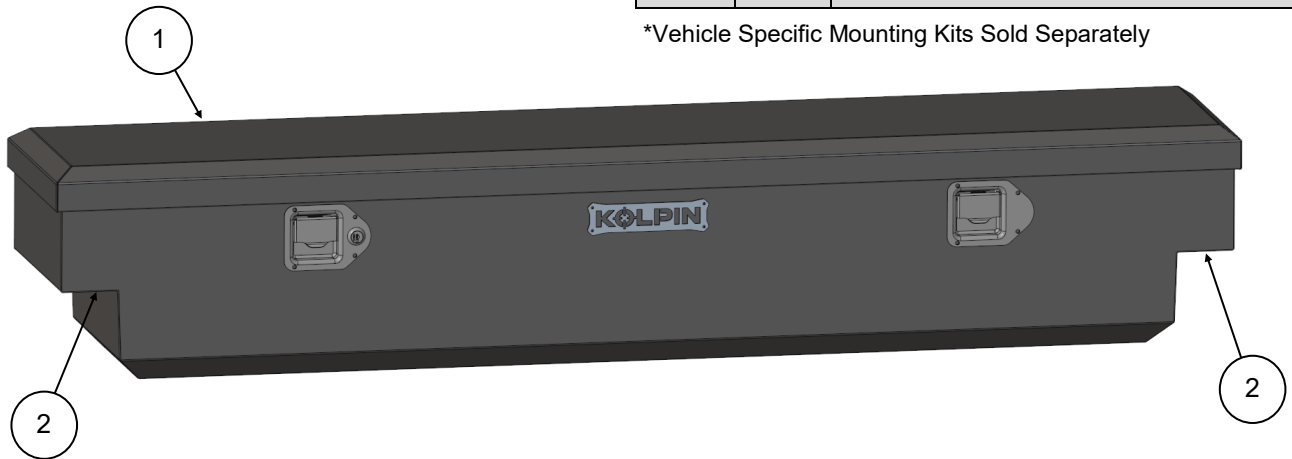
Product Instructions | Part No: 53470



Before you begin, read these instructions and check to be sure all parts and tools are accounted for. Please retain these instructions for future reference and part ordering information. Note: If any hardware is missing, do not return to the store. Call us to help, toll free at 1-877-956-5746.

Item	Qty	Part Description
1	1	UTV Aluminum Bed Box
2	2	Adhesive Backed Foam Pads
3	2	Spare Key for Lockable Latch (<i>Not Shown</i>)

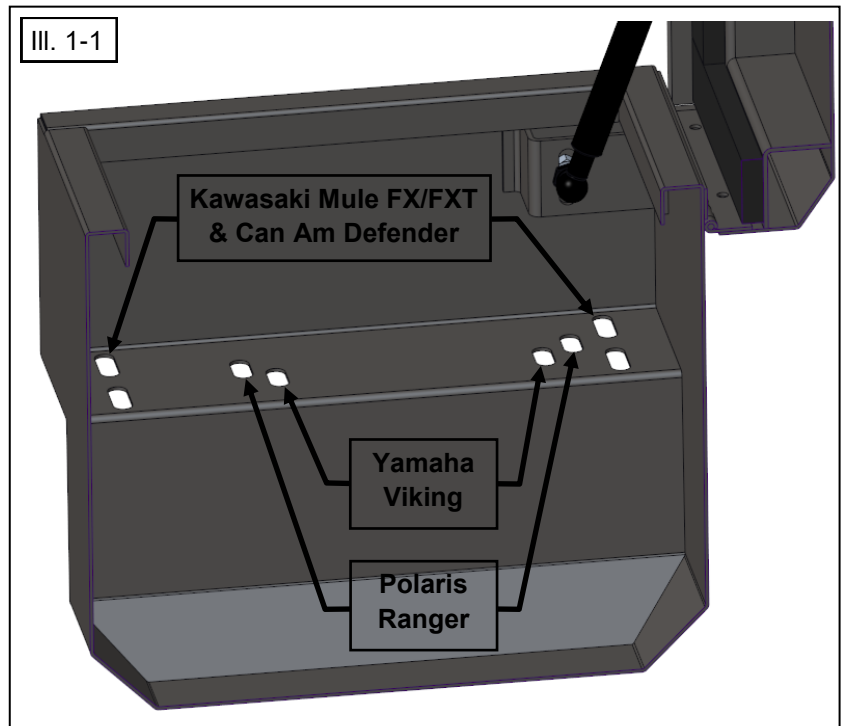
*Vehicle Specific Mounting Kits Sold Separately



Mounting Instructions:

Note: Please refer to instructions included with mounting kits (sold separately) for vehicle specific mounting instructions. Visit Kolpin.com for full list of available mounts.

1. Identify mounting holes inside of box that will be used to attach to vehicle bed rails. Illustration 1-1 shows the vehicle specific mounting holes on the driver's side.

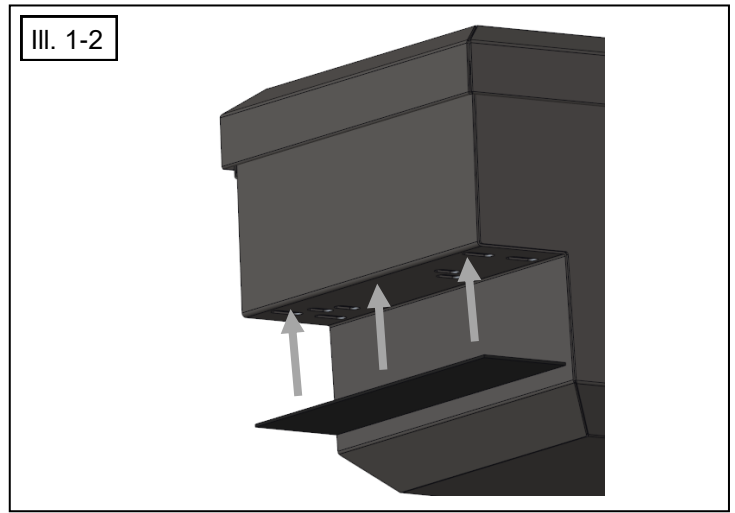


Kolpin Outdoors, Inc. | 9955 59th Ave N | Plymouth, MN 55442
 (877) 956-5746 or (763) 478-5800 | kolpin.com | customerservice@kolpin.com

2. Attach Adhesive Backed Foam Pads to each side as shown in Illustration 1-2. This will protect the bed rail surface from scratches and seal the un-used mounting holes from dust and debris.

3. Cut small opening through the Adhesive Backed Foam Pads for mounting hardware in identified locations specific to your vehicle.

4. Carefully place on vehicle and attach using vehicle specific mounting hardware (sold separately).

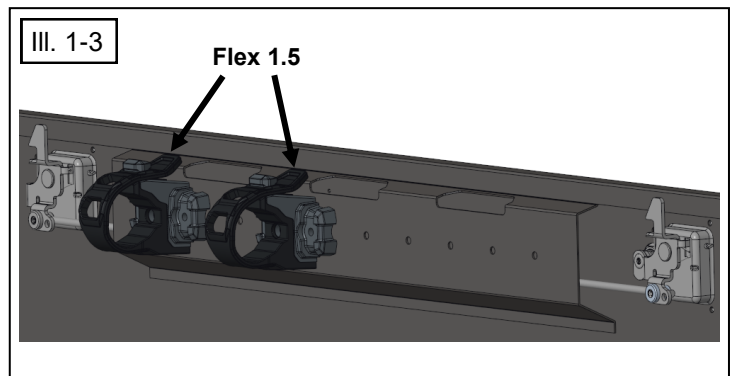


Lid and Latch Adjustment Instructions:

1. Latch engagement can be adjusted by moving the Latch Catches mounted inside the Lid up & down and left to right. Adjusting up & down will also adjust the amount of compression on the Lid seal.
2. The Lid opening angle can be adjusted via the lower gas shock mounting bolt.

Rhino Grip Flex Accessory Mount Instructions (Optional - Not Included):

1. Kolpin Flex 1.5 (P/N 21570) and 3.0 (P/N 21571) Rhino Grips can be mounted inside the box using the 10 holes located in between the latches inside the box, as shown in Illustration 1-3. These can be helpful to carry items such as spare CVT belts, tools, flashlights, cords, speakers, fire extinguishers, etc.



Use and Care Information:

- Check the accessory mounts frequently and retighten if necessary.
- When this accessory becomes dirty, rinse thoroughly with cool water to remove loose dirt, then wipe with a clean cloth or sponge.
- Never use petroleum solvents such as gasoline, thinner, benzene, acid or alkaline cleaners.

For additional assistance, please contact Kolpin customer service department at (877) 956-5746 or (763) 478-5800

or email customerservice@kolpin.com

One Year Limited Warranty

For the period of one (1) year from the purchase date, Kolpin will replace for the original purchaser, free of charge, any part or parts found upon examination by Kolpin to be defective in material, workmanship, or both.

All transportation costs incurred submitting product to Kolpin for warranty consideration must be borne by the purchaser. If Kolpin determines that the product must be returned to the factory for credit, please call 1-877-956-5746 for a Return Merchandise Authorization (RMA) number and shipping instructions.

This warranty does not apply to parts that have been damaged by accident, alteration, abuse, improper maintenance, normal wear, or other causes beyond the manufacturer's control. In order to protect you and your ATV, certain parts of the accessory system and/or hardware are designed to fail when the equipment is over-stressed. Parts that are lost due to loosening and improper maintenance are not covered under warranty. This warranty does not cover removal or reinstallation labor fees of the accessory system and related components. Most hardware is general in nature and is easily obtained locally. Be sure to replace with minimum metric class 8.8 specification.