

# Polaris RZR XP 1000 2" Rear Receiver Hitch



## Product Instructions | Part No: 85710

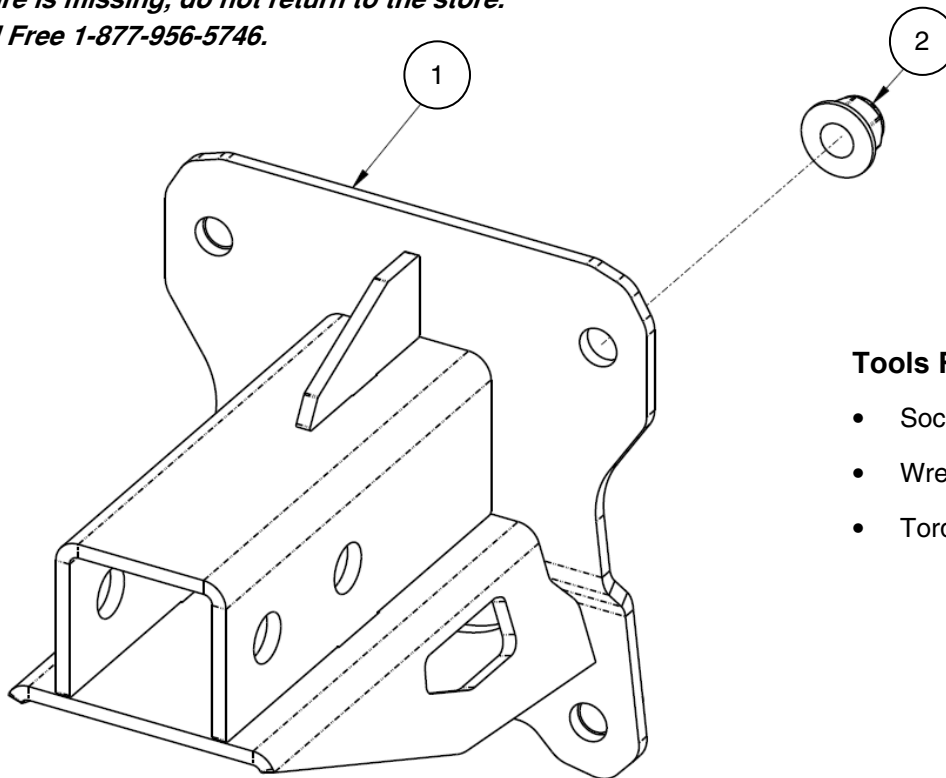
**Application:** Polaris RZR XP 1000, verify accessory fitment at Kolpin.com.

**Before You Begin:** Read these instructions and check to be sure all parts and tools are accounted for. Please retain these installation instructions for future reference and parts ordering information.

**Note:** If any hardware is missing, do not return to the store. Call us to help, Toll Free 1-877-956-5746.

This Kit includes:

Item	Qty	Part Description
1	1	RZR Rear Receiver
2	4	Flange Locknut, Zinc Plated, M12-1.5
3	1	Instruction Guide (not shown)



### Tools Required:

- Socket Set, Metric
- Wrench Set, Metric
- Torque Wrench

**Assembly Time:** Approximately 18 minutes

**Important:** Your Kolpin Rear Receiver Kit is exclusively designed for your vehicle. Please read the installation instructions thoroughly before beginning. Installation is easier if the vehicle is clean and free of debris. For your safety, and to ensure a satisfactory installation, perform all installation steps correctly in the sequence shown.

Kolpin Outdoors, Inc. | 9955 59th Ave N | Plymouth, MN 55442

(877) 956-5746 or (763) 478-5800 | [www.kolpin.com](http://www.kolpin.com) | [customerservice@kolpin.com](mailto:customerservice@kolpin.com)

## Installation Instructions:



### WARNING

Do not exceed maximum capacities. Exceeding maximum capacities may result in receiver failure, resulting in death, serious personal injury, or serious damage to vehicle or property.

Maximum Tongue Weight: 100 lbs (45 Kg)

Maximum Tow Weight: 1200 lbs (540 Kg)

1. Shift vehicle transmission into "PARK". Turn key to "OFF" position and remove from vehicle.

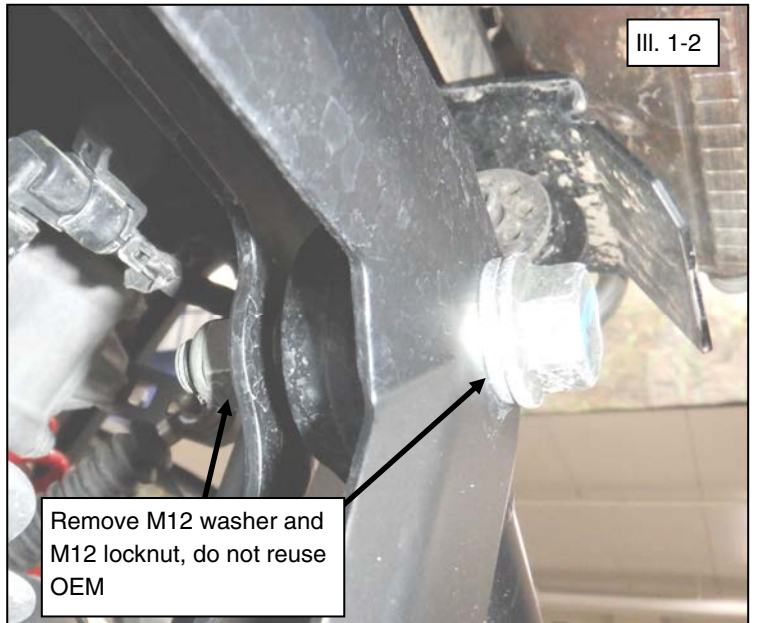
### NOTICE

If the 85710 rear hitch is used with a Polaris bumper, install the hitch first, and the rear bumper second.

2. Remove the rear bolt brace plate and hardware. The M12 bolts will be reinstalled, do not discard. (See illustrations 1-1 and 1-2). **Note, do not reuse the OEM M12 locknuts and M12 flat washer.**
3. Installation is easier if you block up the rear tires and lift vehicle by frame bottom as shown. (See illustration 1-3).



III. 1-1



III. 1-2

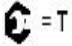


III. 1-3

**Installation Instructions  
(Continued):**

4. Loosely install rear receiver (item #1) to vehicle using the four M12 bolts previously removed. Fasten from behind using the M12 locknuts (item #2). (See illustration 1-4). **Note, do not reuse OEM M12 locknuts and do not reinstall the M12 OEM flat washer.**
5. Tighten all hardware to specifications.



 = T
<b>12MM REAR SUSPENSION FASTENER TORQUE:</b> 52 ft. lbs. (70 Nm) plus 45 degrees

**Use and Care Information:**

- Check the accessory mounts frequently and retighten hardware if necessary.
- Replace this accessory with a new one if it is damaged.
- Never use petroleum solvents such as gasoline, thinner, benzene, acid or alkaline cleaners.

For additional assistance, please contact Kolpin customer service department at (877) 956-5746 or (763) 478-5800 or email [customerservice@kolpin.com](mailto:customerservice@kolpin.com)

**One Year Limited Warranty**

For the period of one (1) year from the purchase date, Kolpin will replace for the original purchaser, free of charge, any part or parts found upon examination by Kolpin to be defective in material, workmanship, or both.

All transportation costs incurred submitting product to Kolpin for warranty consideration must be borne by the purchaser. If Kolpin determines that the product must be returned to the factory for credit, please call 1-877-956-5746 for a Return Merchandise Authorization (RMA) number and shipping instructions.

This warranty does not apply to parts that have been damaged by accident, alteration, abuse, improper maintenance, normal wear, or other causes beyond the manufacturer's control. In order to protect you and your ATV, certain parts of the accessory system and/or hardware are designed to fail when the equipment is over-stressed. Parts that are lost due to loosening and improper maintenance are not covered under warranty. This warranty does not cover removal or reinstallation labor fees of the plow system and related components.

Peripheral products such as engines, electric motors, and actuators may carry an original manufacturer's warranty. Most hardware is general in nature and is easily obtained locally. Be sure to replace with minimum metric class 8.8 specification.