

Polaris Xpedition 2" Front Receiver Hitch



Product Instructions | Part No: 85715

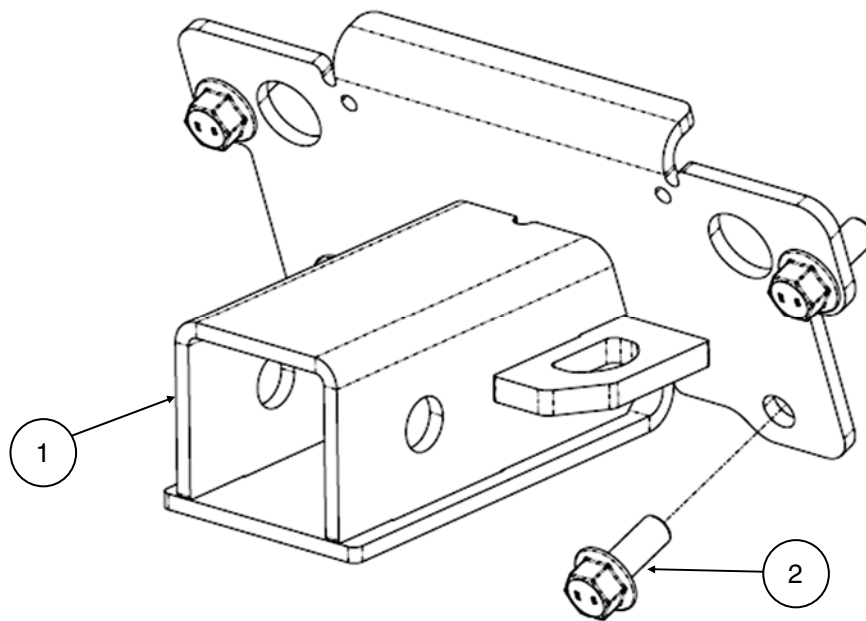
Application: Polaris Xpedition XP / Xpedition ADV, verify accessory fitment at Kolpin.com.

Before You Begin: Read these instructions and check to be sure all parts and tools are accounted for. Please retain these installation instructions for future reference and parts ordering information.

Note: If any hardware is missing, do not return to the store. Call us to help, Toll Free 1-877-956-5746.

This Kit includes:

Item	Qty	Part Description
1	1	Xpedition Front Receiver
2	4	Hex Flange Screw, Zinc Plated, M10-1.5 x 25mm LG
3	1	Instruction Guide (not shown)



Tools Required:

- Safety Glasses
- Socket Set, Metric
- Wrench Set, Metric
- Torque Wrench

Assembly Time: Approximately 18 minutes

Important: Your Kolpin Front Receiver Kit is exclusively designed for your vehicle. Please read the installation instructions thoroughly before beginning. Installation is easier if the vehicle is clean and free of debris. For your safety, and to ensure a satisfactory installation, perform all installation steps correctly in the sequence shown.

Disclaimer: When used with any Cargo Carrier Basket, limit trail riding speeds to 15 mph or less. If used with Cargo Carrier Basket, limit cargo to 50 lbs or less.

Kolpin Outdoors, Inc. | 9955 59th Ave N | Plymouth, MN 55442

(877) 956-5746 or (763) 478-5800 | www.kolpin.com | customerservice@kolpin.com

Installation Instructions:

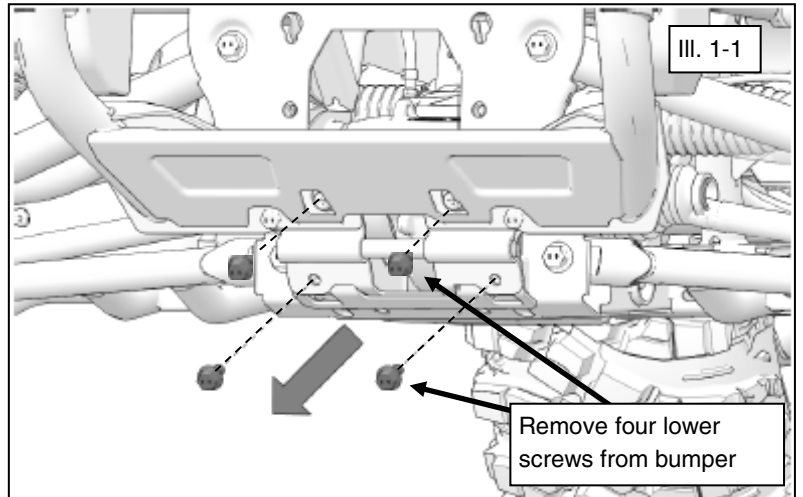


WARNING

Do not exceed maximum capacities. Exceeding maximum capacities may result in receiver failure, resulting in death, serious personal injury, or serious damage to vehicle or property.

Maximum Tongue Weight: 100 lbs (45 Kg)

Maximum Tow Weight: 1200 lbs (540 Kg)

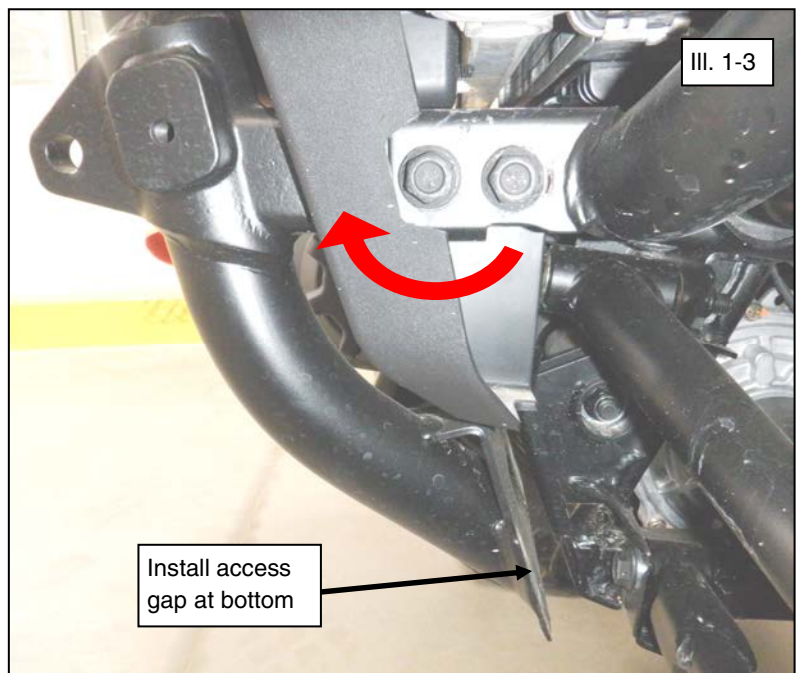
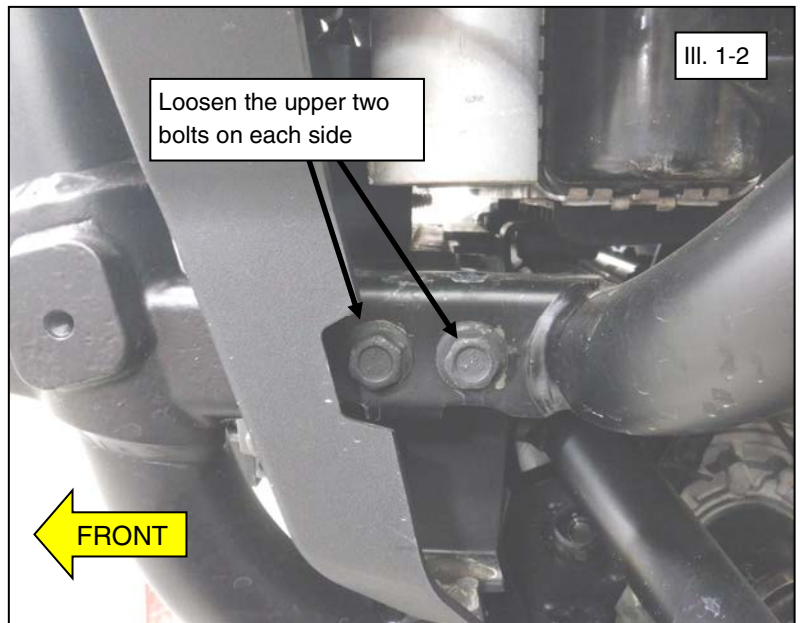


1. Shift vehicle transmission into "PARK". Turn key to "OFF" position and remove from vehicle.

NOTICE


If the 85715 front hitch is used with a Kolpin plow mount, install the hitch first, and the plow mount second.

2. Remove the four lower screws at bottom of front bumper. (See illustration 1-1). **Note, 85715 fits with Bull Bumper and HD Front Bumper.**
3. Loosen the front bumper upper mounting screws (two on each side), leaving the top screws in the bumper, so the assembly can be rotated up and out providing access to insert the hitch, from underneath the bumper. Save the upper bolts in place to tighten at later step. (See illustrations 1-2, 1-3 and 1-4).

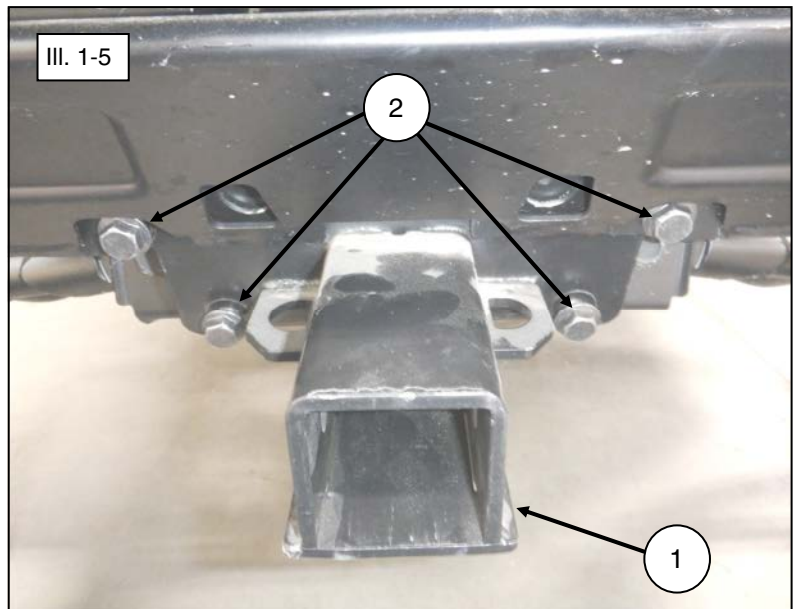
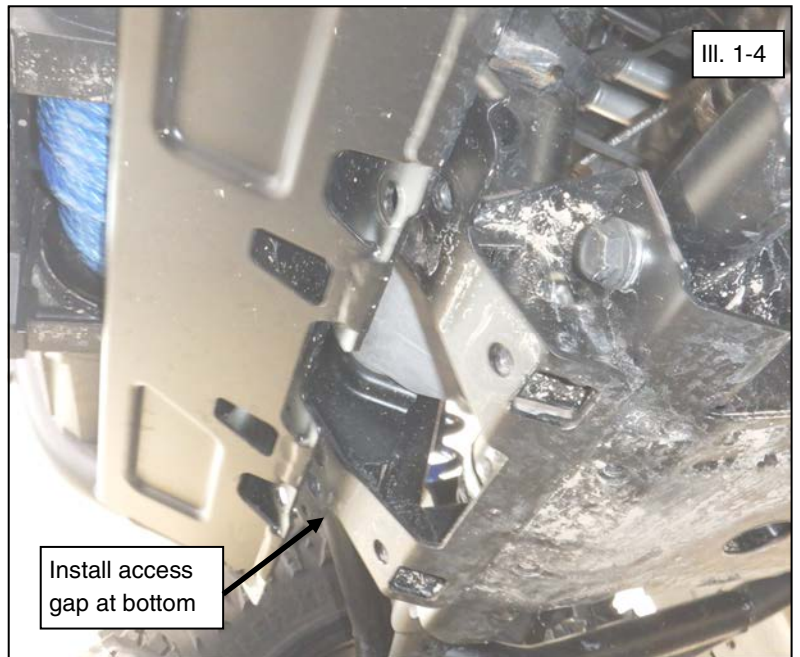


Installation Instructions (Continued):

- Loosely install front receiver (item #1) to vehicle using the four M10 screws (item #4) as shown. (See illustration 1-5).
- Tighten all hardware to specifications. (See illustration 1-6).

 = T
10MM FASTENER TORQUE: 34 ft. lbs. (46 Nm)

- Re-tighten the four upper bumper mounting screws.





Use and Care Information:

- Check the accessory mounts frequently and retighten hardware if necessary.
- Replace this accessory with a new one if it is damaged.
- Never use petroleum solvents such as gasoline, thinner, benzene, acid or alkaline cleaners.

For additional assistance, please contact Kolpin customer service department at (877) 956-5746 or (763) 478-5800 or email customerservice@kolpin.com

One Year Limited Warranty

For the period of one (1) year from the purchase date, Kolpin will replace for the original purchaser, free of charge, any part or parts found upon examination by Kolpin to be defective in material, workmanship, or both.

All transportation costs incurred submitting product to Kolpin for warranty consideration must be borne by the purchaser. If Kolpin determines that the product must be returned to the factory for credit, please call 1-877-956-5746 for a Return Merchandise Authorization (RMA) number and shipping instructions.

This warranty does not apply to parts that have been damaged by accident, alteration, abuse, improper maintenance, normal wear, or other causes beyond the manufacturer's control. In order to protect you and your ATV, certain parts of the accessory system and/or hardware are designed to fail when the equipment is over-stressed. Parts that are lost due to loosening and improper maintenance are not covered under warranty. This warranty does not cover removal or reinstallation labor fees of the plow system and related components.

Peripheral products such as engines, electric motors, and actuators may carry an original manufacturer's warranty. Most hardware is general in nature and is easily obtained locally. Be sure to replace with minimum metric class 8.8 specification.