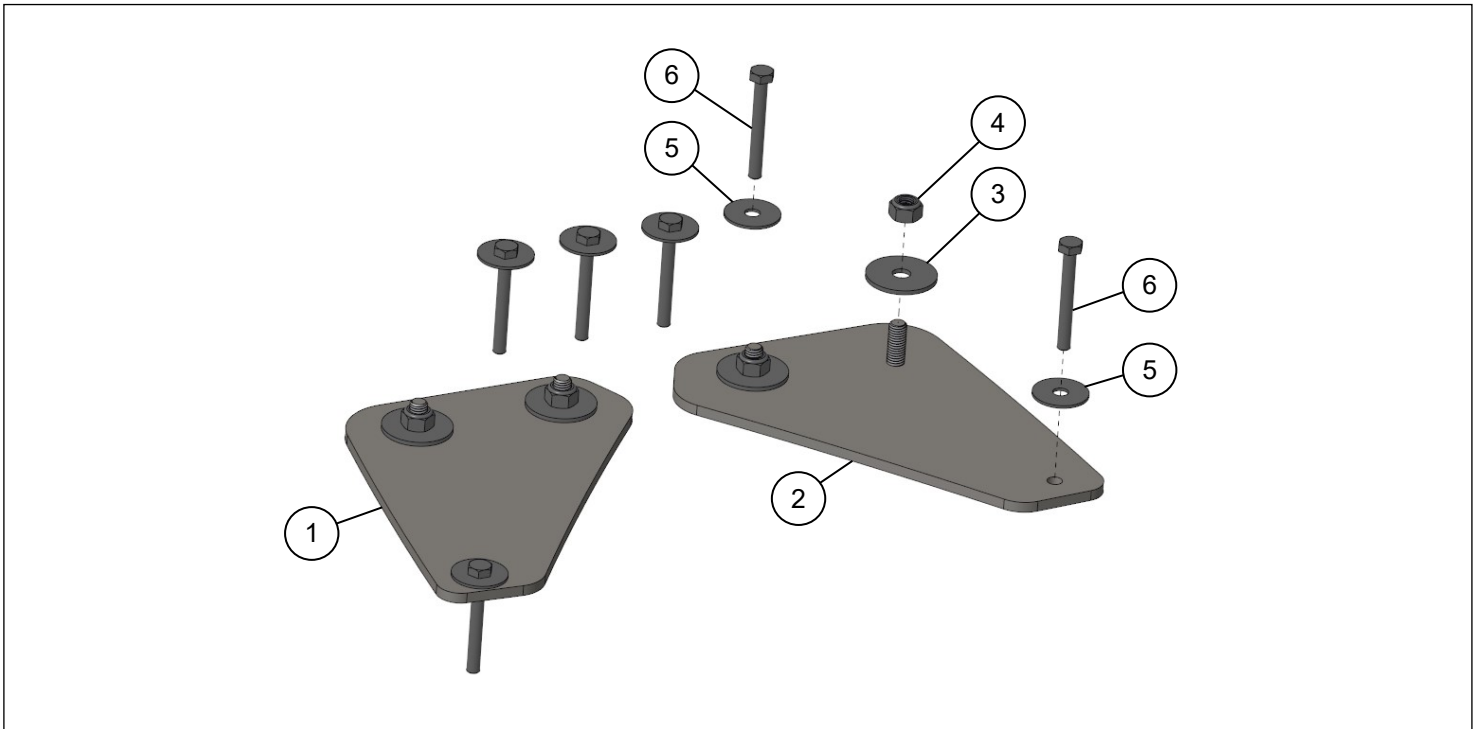


**KIT CONTENTS**



ITEM	QTY	PART DESCRIPTION
1	1	Right Side Mounting Plate
2	1	Left Side Mounting Plate
3	4	M8 Oversized Washer
4	4	M8 Locknut
5	6	M6 Oversized Washer
6	6	M6 x 50mm Hex Bolt

**BEFORE YOU BEGIN**

- Verify all parts and tools are accounted for. If parts are missing, do not return to the store. Please contact Kolpin customer service department at (877) 956-5746 or (763) 478-5800 or email [customerservice@kolpin.com](mailto:customerservice@kolpin.com).
- Follow all steps correctly and in the sequence described.
- Keep these instructions for future reference or for informational requests.
- To facilitate installation, make sure that your vehicle is clean and free of debris.

**WARNING**

**NEVER operate with a passenger. Passengers affect balance & steering and increase risk of losing control! Improper use of this product can result in SEVERE INJURY or DEATH!**

# MOUNTING INSTRUCTIONS

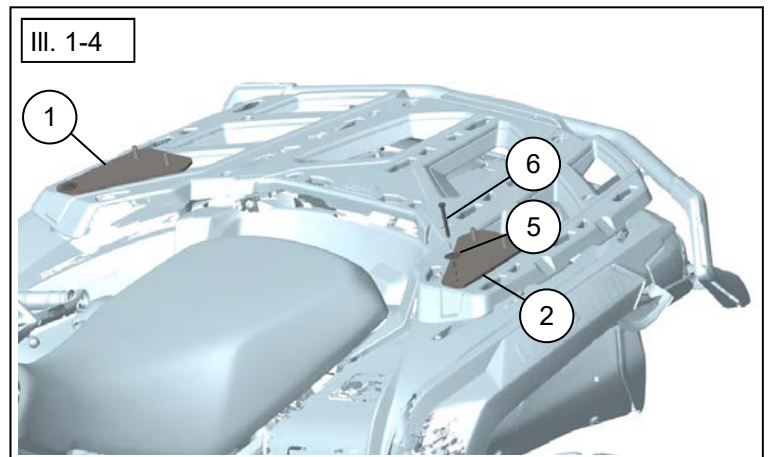
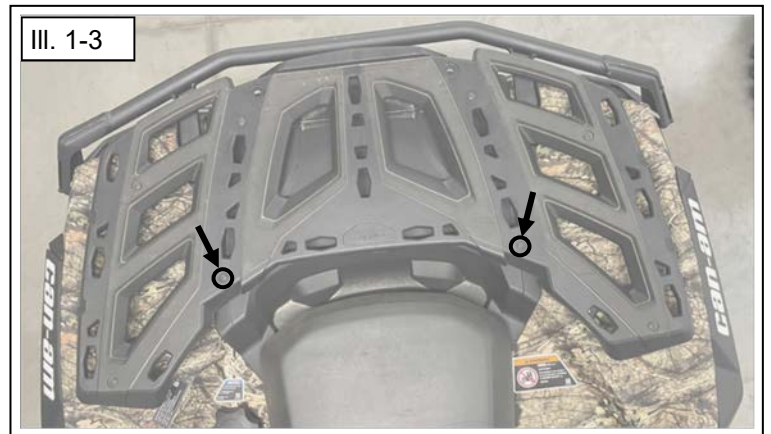
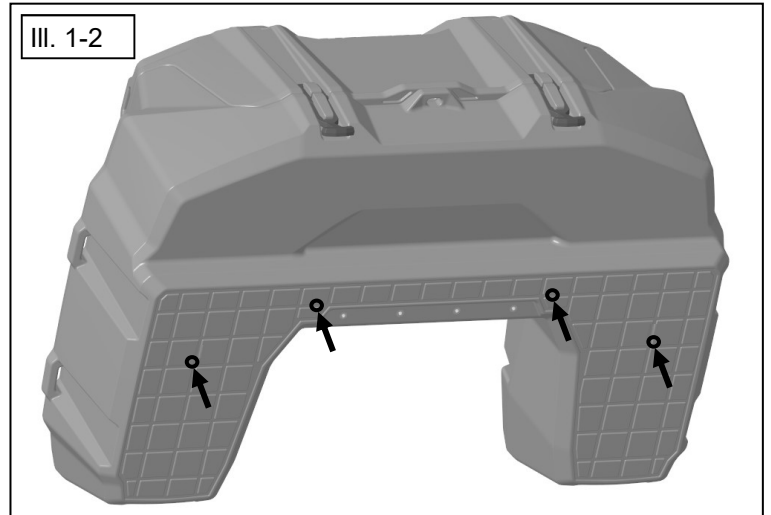
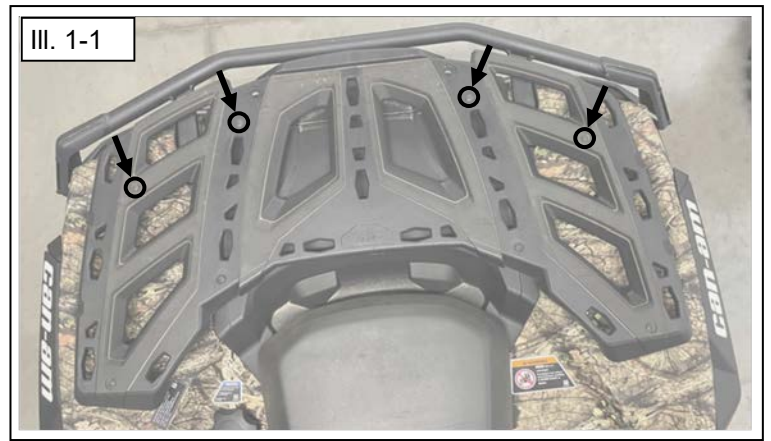
1. Remove the OEM rear rack from the ATV.
2. Using the OEM rack as a template, mark the four mounting bolt locations on the rear of the rack onto the bottom of the Lounger. These four OEM bolts will be replaced by the M6 x 50mm Hex Bolts [Item 6] and M6 Oversized Washers [Item 5]. See III. 1-1.

Position the Lounger so the center two Bolts and Washers have enough clearance to sit flush on the inside of the Lounger.

3. Using a 5/16" drill bit, drill the four mounting holes from Step 2 through the bottom of the Lounger. See III. 1-2.

4. Re-install the OEM rack onto the vehicle using only the front two center screws. See III. 1-3.

5. Attach the Left and Right Mounting Plates [Items 1 & 2] onto the OEM Rack as shown. Re-use the OEM M6 Locknuts underneath the OEM Rack. See III. 1-4.



6. Place the Lounger onto the OEM rack and install the center two M6 x 50mm Hex Bolts [Item 6] and M6 Oversized Washers [Item 5] toward the rear of the Lounger through the bottom and through the OEM rack. Re-use the OEM M6 Locknuts underneath the OEM Rack. Keep the hardware finger tight on this step.

7. Lift the front of the Lounger up and align the Mounting Plates [Item 1 & 2] under the Lounger so the threaded studs contact the bottom with enough clearance for the M8 Oversized Washers [Item 3] to sit flush inside the bottom of the Lounger.

Mark the location where the threaded studs contact the bottom of the Lounger. See III. 1-5.

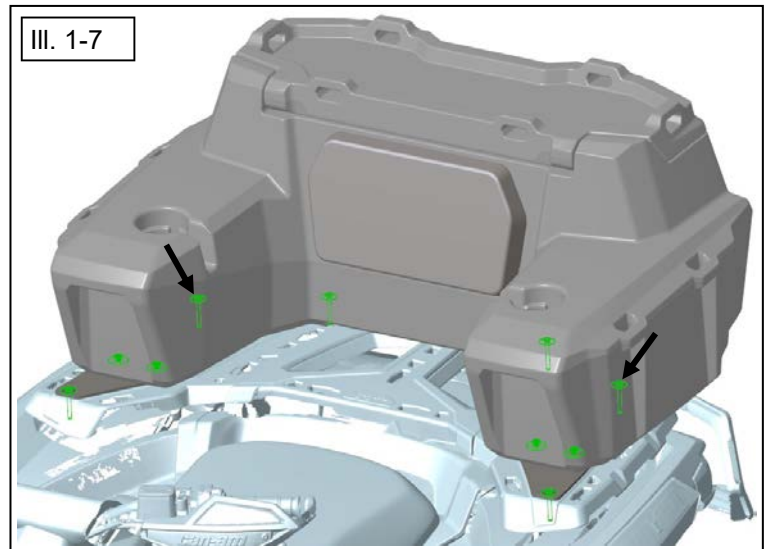
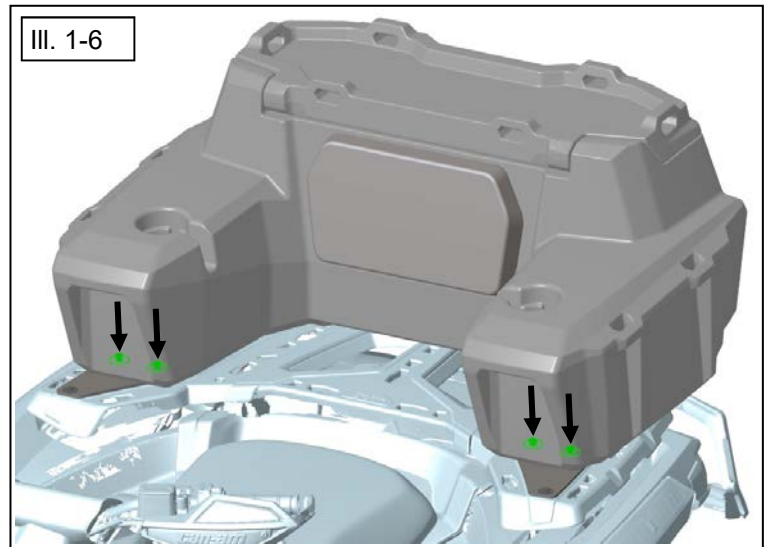
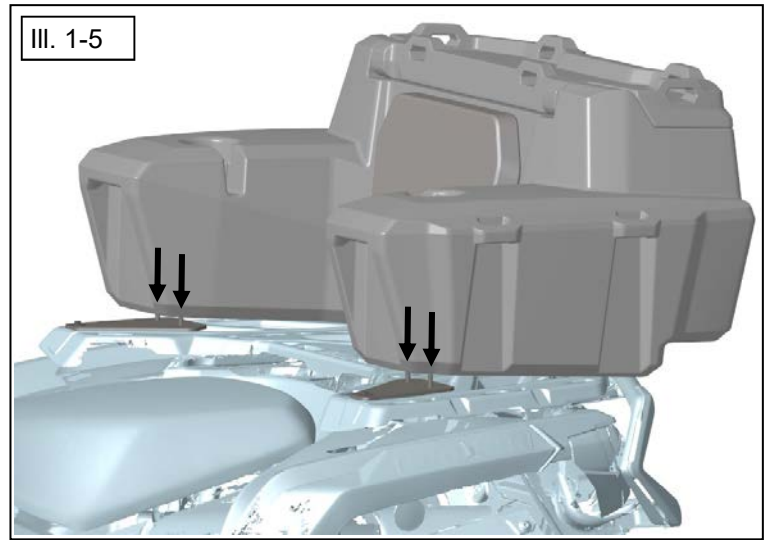
8. Using a 3/8" drill bit, drill the four holes for the threaded studs on the Mounting Plates [Items 1 & 2] to pass through.

9. Place Lounger over the top of the Mounting Plate studs and install the M8 Oversized Washer [Item 3] and M8 Locknut [Item 4] onto the threaded studs inside the Lounger and tighten. See III. 1-6.

10. Install the two remaining M6 x 50mm Hex Bolts [Item 6] and M6 Oversized Washers [Item 5] through the bottom of the Lounger and the OEM rack, shown by the two arrows in III. 1-7. Note, all hardware is shown in this image for reference.

11. Tighten all four M6 x 50mm Hex Bolts [Item 6] and M6 Oversized Washers [Item 5] to complete the installation.

12. Check mounting hardware frequently and before each ride. Re-tighten if necessary.



## USE AND CARE INFORMATION:

- Check the accessory mounts frequently and retighten if necessary.
- When this accessory becomes dirty, rinse thoroughly with cool water to remove loose dirt, then wipe with a clean cloth or sponge.
- Never use petroleum solvents such as gasoline, thinner, benzene, acid or alkaline cleaners.
- For additional assistance, please contact Kolpin customer service department at (877) 956-5746 or (763) 478-5800 or email [customerservice@kolpin.com](mailto:customerservice@kolpin.com)

## ONE YEAR LIMITED WARRANTY

For the period of one (1) year from the purchase date, Kolpin will replace for the original purchaser, free of charge, any part or parts found upon examination by Kolpin to be defective in material, workmanship, or both.

All transportation costs incurred submitting product to Kolpin for warranty consideration must be borne by the purchaser. If Kolpin determines that the product must be returned to the factory for credit, please call 1-877-956-5746 for a Return Merchandise Authorization (RMA) number and shipping instructions.

This warranty does not apply to parts that have been damaged by accident, alteration, abuse, improper maintenance, normal wear, or other causes beyond the manufacturer's control. In order to protect you and your ATV, certain parts of the accessory system and/or hardware are designed to fail when the equipment is over-stressed. Parts that are lost due to loosening and improper maintenance are not covered under warranty. This warranty does not cover removal or reinstallation labor fees of the accessory system and related components. Most hardware is general in nature and is easily obtained locally. Be sure to replace with minimum metric class 8.8 specification.

**Kolpin Outdoors, Inc.**

**Telephone: (763)-478-5800**

**Toll Free: (877)-956-5746**

**Fax Number: (800)-245-7569**

**[www.kolpin.com](http://www.kolpin.com)**

**Email: [customerservice@kolpin.com](mailto:customerservice@kolpin.com)**