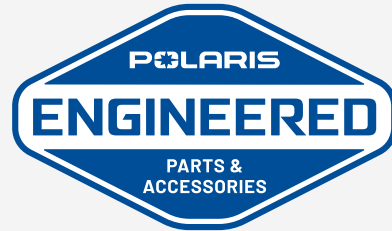


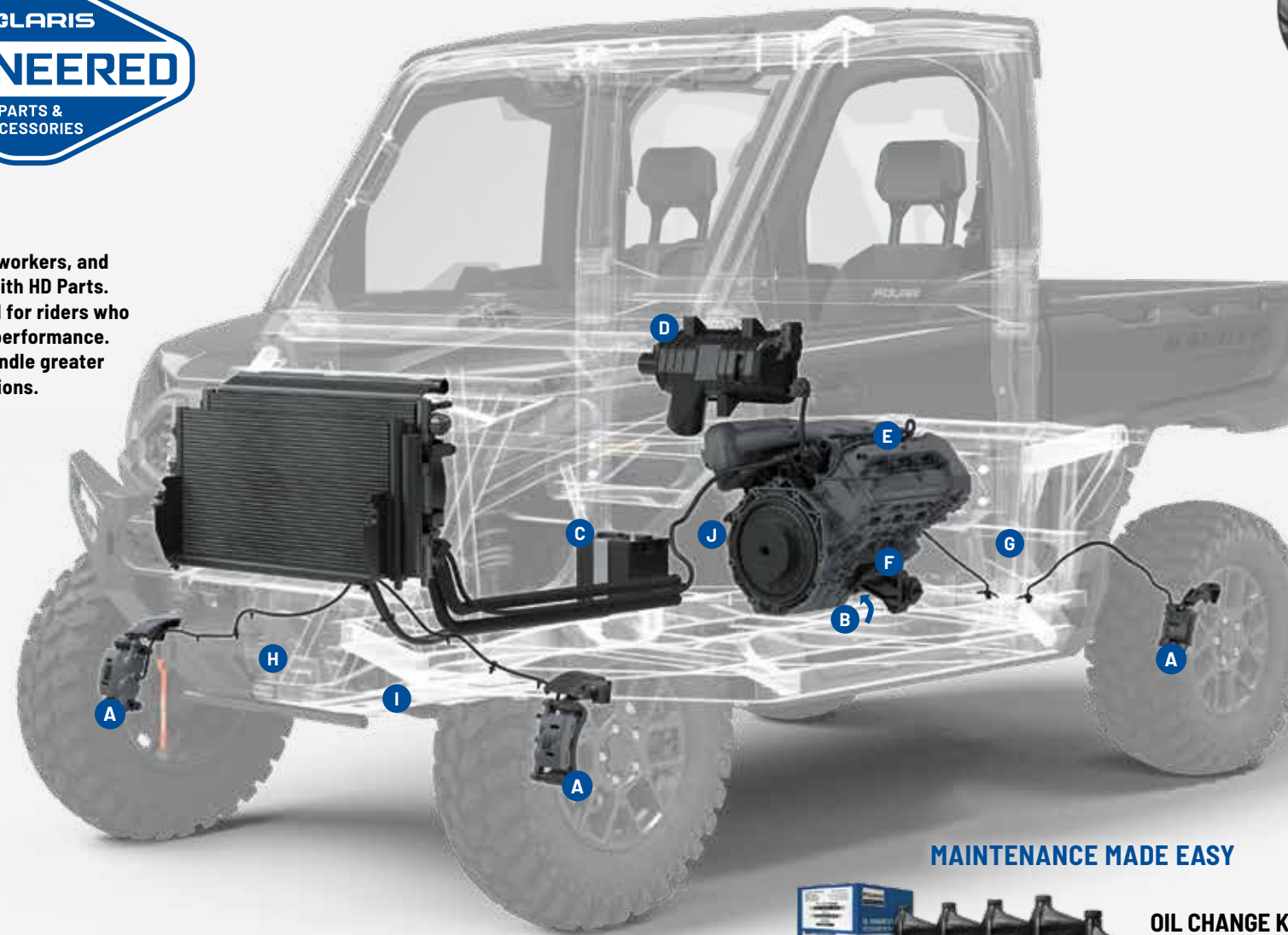
MAINTENANCE PARTS & FLUIDS



POLARIS ENGINEERED PARTS AND OIL have been validated and tested extensively, specifically for your vehicle. In order to maintain the peak performance of your Polaris vehicle only use official Polaris Engineered parts and oil.



We're taking the passion of our riders, workers, and outdoor enthusiasts to the next level with HD Parts. These Heavy Duty parts are engineered for riders who want greater durability and enhanced performance. HD Parts are designed and tested to handle greater wear and tear under all weather conditions.



A BRAKE PADS
» FRONT • 2209570
» REAR • 2211902



B OIL FILTER
» 2521728



C BATTERY
» 4014132-P
» **HD** • 4081855



D AIR FILTER
» 7082115



E SPARK PLUG
» 3023983

LOOKING FOR MORE SERVICE PARTS?
See P. 113 to learn how to find parts for your model.



F ENGINE OIL P. 108
» PS-4 • 1QT • 2876244
» PS-4 • 1GAL. • 2876245
» PS-4 EXTREME • 1QT • 2889395
» PS-4 EXTREME • 1GAL. • 2889396



G ANGLE DRIVE FLUID
For rear gearcase
» 1QT • 2889280
RANGER ANGLE DRIVE GEAR CASE SYSTEMS



H DEMAND DRIVE FLUID
For front gearcase
» 1QT • 2877922
» 2.5 GAL. • 2877923



I DOT 4 BRAKE FLUID
» 12 OZ • 2872189



J STEELDRIVE TRANSMISSION FLUID
» 1QT • 2891094

MAINTENANCE MADE EASY



OIL CHANGE KITS
Engine Oil (volume varies by kit), 1 Oil Filter (2540086) & 1 Drain Plug Washer
» PS-4 • 2890882
» PS-4 EXTREME • 2890883



ALL-SEASON GREASE TUBE
» 3 OZ • 2871322
» 14 OZ • 2871423

Claims made based off testing and performance of Polaris HD Parts against standard OEM parts made by Polaris and competitor brands under normal use. For more information regarding Polaris HD parts including vehicle compatibility, installation and maintenance, please contact your authorized Polaris ORV dealer.

MAINTENANCE SCHEDULE*

12 MONTHS

200 HRS | 2,000 MI / 3,200 KM

- AIR FILTER**
REPLACE
- BATTERY**
TEST & CLEAN
REPLACE AS NEEDED
- BRAKE PADS**
INSPECT
REPLACE AS NEEDED
- ENGINE OIL & OIL FILTER**
CHANGE
- FRONT & REAR GEARCASE**
CHANGE FLUID
- GENERAL LUBRICATION**
ALL FITTINGS, PIVOTS, CABLES, ETC.
- SPARK PLUGS**
INSPECT
REPLACE AS NEEDED

24 MONTHS

400 HRS | 4,000 MI / 6,400 KM

- AIR FILTER**
INSPECT
REPLACE AS NEEDED
- ALTERNATOR BELT**
REPLACE
- BATTERY**
TEST & CLEAN
REPLACE AS NEEDED
- BRAKE PADS**
INSPECT
REPLACE AS NEEDED
- BRAKE FLUID**
CHANGE
- ENGINE OIL & OIL FILTER**
CHANGE
- FRONT & REAR GEARCASE**
CHANGE FLUID
- GENERAL LUBRICATION**
ALL FITTINGS, PIVOTS, CABLES, ETC.
- SPARK PLUGS**
INSPECT
REPLACE AS NEEDED

36 MONTHS

600 HRS | 6,000 MI / 9,600 KM

- AIR FILTER**
INSPECT
REPLACE AS NEEDED
- BATTERY**
TEST & CLEAN
REPLACE AS NEEDED
- BRAKE PADS**
INSPECT
REPLACE AS NEEDED
- ENGINE OIL & OIL FILTER**
CHANGE
- FRONT & REAR GEARCASE**
CHANGE FLUID
- GENERAL LUBRICATION**
ALL FITTINGS, PIVOTS, CABLES, ETC.
- TRANSMISSION FLUID**
CHANGE
- SPARK PLUGS**
INSPECT
REPLACE AS NEEDED

FOR A COMPLETE MAINTENANCE SCHEDULE, CHECK YOUR OWNER'S MANUAL



*This is a sample maintenance schedule. Please reference and use your owners manual for full maintenance and vehicle care.

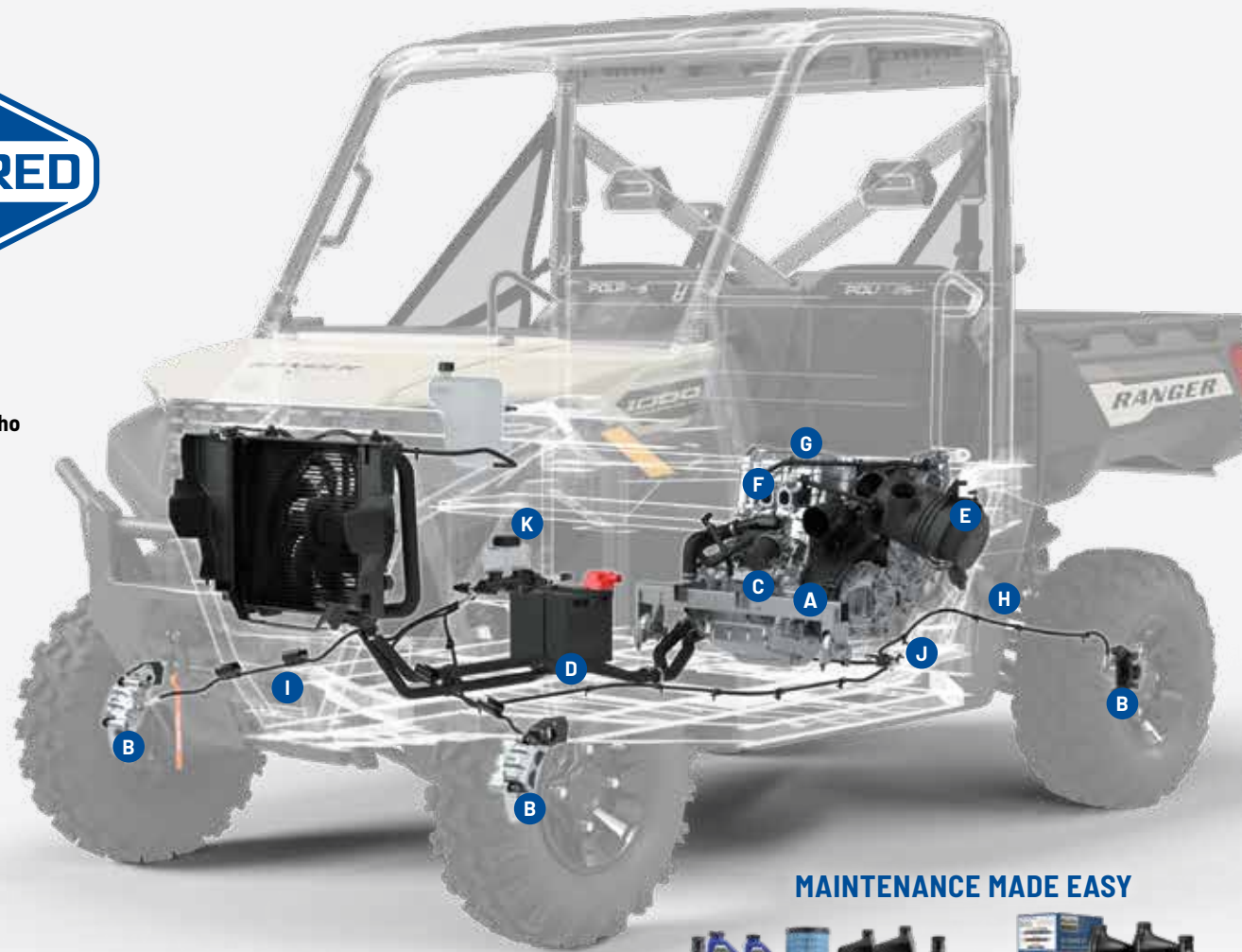
MAINTENANCE PARTS & FLUIDS



POLARIS ENGINEERED PARTS AND OIL have been validated and tested extensively, specifically for your vehicle. In order to maintain the peak performance of your Polaris vehicle only use official Polaris Engineered parts and oil.



We're taking the passion of our riders, workers, and outdoor enthusiasts to the next level with HD Parts. These Heavy Duty parts are engineered for riders who want greater durability and enhanced performance. HD Parts are designed and tested to handle greater wear and tear under all weather conditions.



- A DRIVE BELT**
- » 1000 • 3211218
 - » XP 1000 • 3211186
 - » XP 1000 • **HD** • 3212358
 - » XP KINETIC • 3212327



- B BRAKE PADS**
- » FRONT • 2209279
 - » FRONT • **HD** • 2208933
 - » REAR • 2203318
 - » REAR • **HD** • 2208936



- C OIL FILTER**
- » 2540086
 - » **HD** • 2522498
 - XP KINETIC DOES NOT HAVE AN OIL FILTER



- D BATTERY**
- » 4014132-P
 - » **HD** • 4081855



- E AIR FILTER**
- » 7082265
 - 1000/ XP 1000
 - » **HD** • 7083113
 - 1000/ XP 1000



- F SPARK PLUGS**
- » 1000 • 3023571
 - » XP 1000 • 3022662

LOOKING FOR MORE SERVICE PARTS?
See P. 113 to learn how to find parts for your model.

MAINTENANCE MADE EASY



- ORV MAINTENANCE KIT**
- Includes Oil Change Kit, Gearcase Fluids, Air Filter, & Spark Plug
- » 2830556
 - XP 1000 '18-25



- OIL CHANGE KITS**
- 2.5 QT Engine Oil (oil varies by kit), 1 Oil Filter (2540086) & 1 Drain Plug Washer
- » PS-4 • 2879323
 - » PS-4 EXTREME • 2890057
 - NOT COMPATIBLE WITH XP KINETIC



- G ENGINE OIL** P. 108
- » PS-4 • 1QT • 2876244
 - » PS-4 • 1 GAL. • 2876245
 - » PS-4 EXTREME • 1QT • 2889395
 - » PS-4 EXTREME • 1 GAL. • 2889396
 - NOT COMPATIBLE WITH XP KINETIC



- H ANGLE DRIVE FLUID**
- For rear gearcase
- » 1QT • 2889280
 - ONLY COMPATIBLE WITH XP KINETIC



- I DEMAND DRIVE FLUID**
- For front gearcase
- » 1QT • 2877922
 - » 2.5 GAL. • 2877923



- J AGL**
- For transmission
- » 1QT • 2878068
 - » 1 GAL. • 2878069
 - » EXTREME • 1QT • 2891028



- K DOT 4 BRAKE FLUID**
- » 12 OZ • 2872189



- ALL-SEASON GREASE TUBE**
- » 3 OZ • 2871322
 - » 14 OZ • 2871423

MAINTENANCE SCHEDULE*

RANGER 1000 / XP 1000

RANGER XP KINETIC

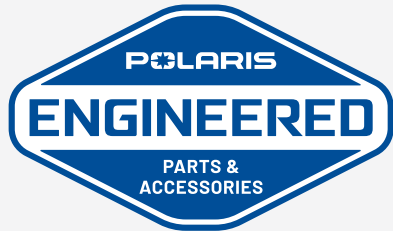
BREAK-IN MAINTENANCE	12 MONTHS	24 MONTHS	36 MONTHS	EVERY 1,000 MILES	EVERY 2,000 MILES
<p>FIRST 25 HRS 500 MI / 800 KM</p> <ul style="list-style-type: none"> ENGINE OIL & OIL FILTER CHANGE FRONT GEARCASE INSPECT FLUID BRAKE PADS INSPECT <small>REPLACE AS NEEDED</small> BRAKE FLUID INSPECT <small>ADD FLUID AS NEEDED</small> TRANSMISSION FLUID INSPECT <small>ADD FLUID AS NEEDED</small> 	<p>200 HRS 2,000 MI / 3,200 KM</p> <ul style="list-style-type: none"> AIR FILTER REPLACE BATTERY TEST & CLEAN <small>REPLACE AS NEEDED</small> BRAKE PADS INSPECT <small>REPLACE AS NEEDED</small> DRIVE BELT INSPECT <small>REPLACE AS NEEDED</small> ENGINE OIL & OIL FILTER CHANGE FRONT GEARCASE CHANGE FLUID GENERAL LUBRICATION ALL FITTINGS, PIVOTS, CABLES, ETC. SPARK PLUGS INSPECT <small>REPLACE AS NEEDED</small> TRANSMISSION FLUID CHANGE FLUID 	<p>400 HRS 4,000 MI / 6,400 KM</p> <ul style="list-style-type: none"> AIR FILTER REPLACE BATTERY TEST & CLEAN <small>REPLACE AS NEEDED</small> BRAKE PADS INSPECT <small>REPLACE AS NEEDED</small> BRAKE FLUID CHANGE DRIVE BELT INSPECT <small>REPLACE AS NEEDED</small> ENGINE OIL & OIL FILTER CHANGE FRONT GEARCASE CHANGE FLUID GENERAL LUBRICATION ALL FITTINGS, PIVOTS, CABLES, ETC. SPARK PLUGS INSPECT <small>REPLACE AS NEEDED</small> TRANSMISSION FLUID CHANGE FLUID 	<p>600 HRS 6,000 MI / 9,700 KM</p> <ul style="list-style-type: none"> AIR FILTER REPLACE BATTERY TEST & CLEAN <small>REPLACE AS NEEDED</small> BRAKE PADS INSPECT <small>REPLACE AS NEEDED</small> DRIVE BELT INSPECT <small>REPLACE AS NEEDED</small> ENGINE OIL & OIL FILTER CHANGE FRONT GEARCASE CHANGE FLUID GENERAL LUBRICATION ALL FITTINGS, PIVOTS, CABLES, ETC. SPARK PLUGS INSPECT <small>REPLACE AS NEEDED</small> TRANSMISSION FLUID CHANGE FLUID 	<p>1,600 KM</p> <ul style="list-style-type: none"> BRAKE PADS INSPECT <small>REPLACE AS NEEDED</small> BATTERY TEST & CLEAN <small>REPLACE AS NEEDED</small> FRONT GEARCASE CHANGE FLUID GENERAL LUBRICATION ALL FITTINGS, PIVOTS, CABLES, ETC. TRANSMISSION FLUID CHANGE FLUID 	<p>3,200 KM</p> <ul style="list-style-type: none"> BRAKE FLUID CHANGE BRAKE PADS INSPECT <small>REPLACE AS NEEDED</small> BATTERY TEST & CLEAN <small>REPLACE AS NEEDED</small> FRONT GEARCASE CHANGE FLUID GENERAL LUBRICATION ALL FITTINGS, PIVOTS, CABLES, ETC. TRANSMISSION FLUID CHANGE



FOR A COMPLETE MAINTENANCE SCHEDULE, CHECK YOUR OWNER'S MANUAL

Claims made based off testing and performance of Polaris HD Parts against standard OEM parts made by Polaris and competitor brands under normal use. For more information regarding Polaris HD parts including vehicle compatibility, installation and maintenance, please contact your authorized Polaris ORV dealer.

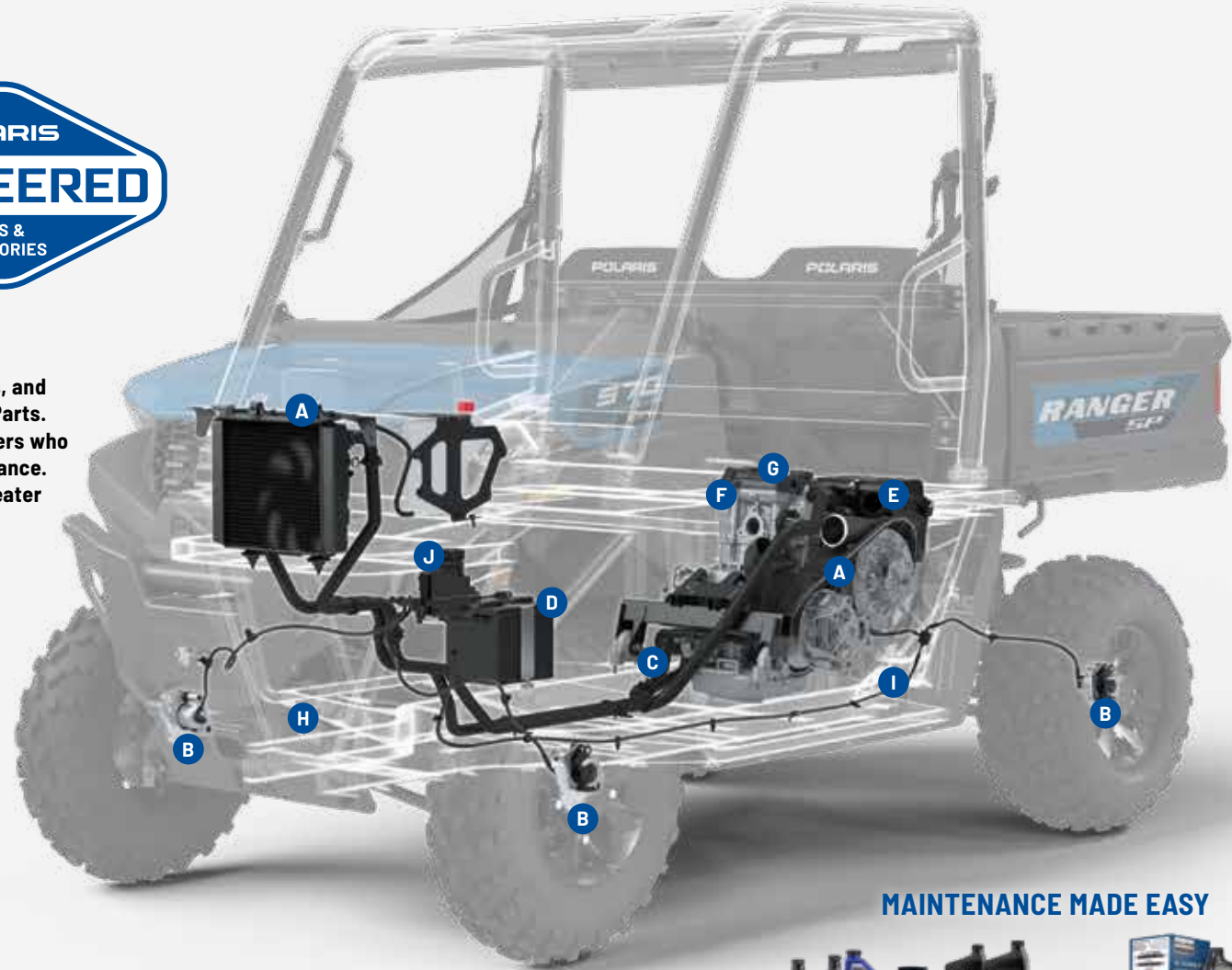
MAINTENANCE PARTS & FLUIDS



POLARIS ENGINEERED PARTS AND OIL have been validated and tested extensively, specifically for your vehicle. In order to maintain the peak performance of your Polaris vehicle only use official Polaris Engineered parts and oil.



We're taking the passion of our riders, workers, and outdoor enthusiasts to the next level with HD Parts. These Heavy Duty parts are engineered for riders who want greater durability and enhanced performance. HD Parts are designed and tested to handle greater wear and tear under all weather conditions.



- A DRIVE BELT**
» 3211218
- B BRAKE PADS**
» 2203318
» **HD** • 2208936
- C OIL FILTER**
» 2540086
» **HD** • 2252498
- D BATTERY**
» 4014132-P
» **HD** • 4081855
- E AIR FILTER**
» 7082037
- F SPARK PLUG**
» 3022662

LOOKING FOR MORE SERVICE PARTS?
See P. 113 to learn how to find parts for your model.

MAINTENANCE MADE EASY



ORV MAINTENANCE KIT
Includes Oil Change Kit, Gearcase Fluids, Air Filter, & Spark Plug
» 2891115
SP 570 '22-25, CREW SP 570 '22-25



OIL CHANGE KITS
2.5 QT Engine Oil (oil varies by kit), 1 Oil Filter (2540086) & 1 Drain Plug Washer
» PS-4 • 2202166
» PS-4 EXTREME • 2890056



G ENGINE OIL P. 108
» PS-4 • 1QT • 2876244
» PS-4 • 1GAL. • 2876245
» PS-4 EXTREME • 1QT • 2889395
» PS-4 EXTREME • 1GAL. • 2889396



H DEMAND DRIVE FLUID
For front gearcase
» 1QT • 2877922
» 2.5 GAL. • 2877923



I AGL
For transmission
» 1QT • 2878068
» 1GAL. • 2878069
» EXTREME • 1QT • 2891028



J DOT 4 BRAKE FLUID
» 12 OZ • 2872189



ALL-SEASON GREASE TUBE
» 3 OZ • 2871322
» 14 OZ • 2871423

MAINTENANCE SCHEDULE*

Claims made based off testing and performance of Polaris HD Parts against standard OEM parts made by Polaris and competitor brands under normal use. For more information regarding Polaris HD parts including vehicle compatibility, installation and maintenance, please contact your authorized Polaris ORV dealer.

BREAK-IN MAINTENANCE

FIRST 25 HRS | 500 MI / 800 KM

- ENGINE OIL & OIL FILTER CHANGE
- BATTERY TEST & CLEAN
REPLACE AS NEEDED
- FRONT GEARCASE CHANGE FLUID
- TRANSMISSION FLUID INSPECT
ADD LUBRICANTS AS NEEDED

12 MONTHS

200 HRS | 2,000 MI / 3,200 KM

- BRAKE FLUID INSPECT
ADD AS NEEDED
- BRAKE PADS INSPECT
REPLACE AS NEEDED
- ENGINE OIL & OIL FILTER CHANGE
- FRONT GEARCASE CHANGE FLUID
- GENERAL LUBRICATION ALL FITTINGS, PIVOTS, CABLES, ETC.

- SPARK PLUGS INSPECT
REPLACE AS NEEDED
- AIR FILTER REPLACE
- BATTERY TEST & CLEAN
REPLACE AS NEEDED
- DRIVE BELT INSPECT
REPLACE AS NEEDED
- HD MODELS ONLY
TRANSMISSION CHANGE FLUID

24 MONTHS

400 HRS | 4,000 MI / 6,400 KM

- BRAKE FLUID CHANGE
- BRAKE PADS INSPECT
REPLACE AS NEEDED
- ENGINE OIL & OIL FILTER CHANGE
- FRONT GEARCASE CHANGE FLUID
- GENERAL LUBRICATION ALL FITTINGS, PIVOTS, CABLES, ETC.
- SPARK PLUGS INSPECT
REPLACE AS NEEDED

- AIR FILTER REPLACE
- BATTERY TEST & CLEAN
REPLACE AS NEEDED
- DRIVE BELT INSPECT
REPLACE AS NEEDED
- HD MODELS ONLY
TRANSMISSION CHANGE FLUID

36 MONTHS

600 HRS | 6,000 MI / 9,700 KM

- BRAKE FLUID INSPECT
ADD AS NEEDED
- BRAKE PADS INSPECT
REPLACE AS NEEDED
- ENGINE OIL & OIL FILTER CHANGE
- FRONT GEARCASE CHANGE FLUID
- GENERAL LUBRICATION ALL FITTINGS, PIVOTS, CABLES, ETC.

- SPARK PLUGS INSPECT
REPLACE AS NEEDED
- AIR FILTER REPLACE
- BATTERY TEST & CLEAN
REPLACE AS NEEDED
- DRIVE BELT INSPECT
REPLACE AS NEEDED
- HD MODELS ONLY
TRANSMISSION CHANGE FLUID

FOR A COMPLETE MAINTENANCE SCHEDULE, CHECK YOUR OWNER'S MANUAL



*This is a sample maintenance schedule. Please reference and use your owners manual for full maintenance and vehicle care.

RANGER SP 570
ROOFS & DOORS
WINDSHIELDS & REAR PANELS
CAB COMFORT & CONVENIENCE
AUDIO
STORAGE & PROTECTION
MAINTENANCE PARTS & FLUIDS

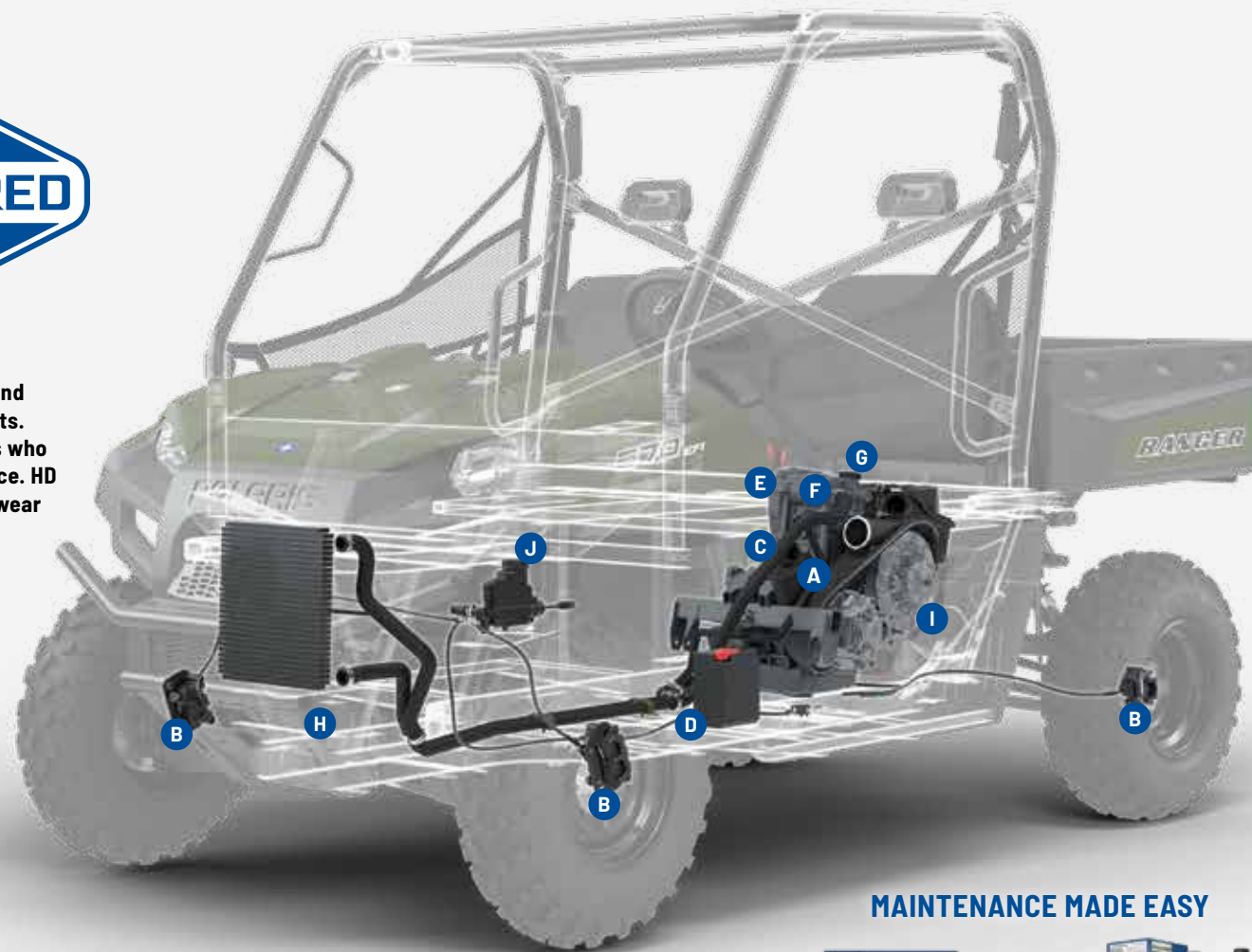
MAINTENANCE PARTS & FLUIDS



POLARIS ENGINEERED PARTS AND OIL have been validated and tested extensively, specifically for your vehicle. In order to maintain the peak performance of your Polaris vehicle only use official Polaris Engineered parts and oil.



We're taking the passion of our riders, workers, and outdoor enthusiasts to the next level with HD Parts. These Heavy Duty parts are engineered for riders who want greater durability and enhanced performance. HD Parts are designed and tested to handle greater wear and tear under all weather conditions.



A DRIVE BELT
» 3211169
» **HD** • 3212326



B BRAKE PADS
» FRONT • 2205949
» FRONT • **HD** • 2208933
» REAR • 2202413
» REAR • **HD** • 2208934



C OIL FILTER
» 2540086
» **HD** • 2522498



D BATTERY
» 4012622



E AIR FILTER
» 7082037



F SPARK PLUG
» 3022662

LOOKING FOR MORE SERVICE PARTS?
See P. 113 to learn how to find parts for your model.



G ENGINE OIL P. 108
» PS-4 • 1 QT • 2876244
» PS-4 • 1 GAL. • 2876245
» PS-4 EXTREME • 1 QT • 2889395
» PS-4 EXTREME • 1 GAL. • 2889396



H DEMAND DRIVE FLUID
For front gearcase
» 1 QT • 2877922
» 2.5 GAL. • 2877923



I AGL
For transmission
» 1 QT • 2878068
» 1 GAL. • 2878069
» EXTREME • 1 QT • 2891028



J DOT 4 BRAKE FLUID
» 12 OZ • 2872189



ALL-SEASON GREASE TUBE
» 3 OZ • 2871322
» 14 OZ • 2871423

MAINTENANCE MADE EASY



ORV MAINTENANCE KIT
Includes Oil Change Kit, Gearcase Fluids, Air Filter, & Spark Plug
» 2891115
570 FULL SIZE / CREW 15-25



OIL CHANGE KITS
2.5 QT Engine Oil (oil varies by kit), 1 Oil Filter (2540086) & 1 Drain Plug Washer
» PS-4 • 2202166
» PS-4 EXTREME • 2890056

MAINTENANCE SCHEDULE*

Claims made based off testing and performance of Polaris HD Parts against standard OEM parts made by Polaris and competitor brands under normal use. For more information regarding Polaris HD parts including vehicle compatibility, installation and maintenance, please contact your authorized Polaris ORV dealer.

BREAK-IN MAINTENANCE	6 MONTHS	12 MONTHS	18 MONTHS	24 MONTHS	30 MONTHS	36 MONTHS
FIRST 25 HRS 250 MI / 400 KM	50 HRS 500 MI / 800 KM	100 HRS 1,000 MI / 1,600 KM	150 HRS 1,500 MI / 2,500 KM	200 HRS 2,000 MI / 3,200 KM	250 HRS 2,500 MI / 4,000 KM	300 HRS 3,000 MI / 4,800 KM
ENGINE OIL & OIL FILTER CHANGE FRONT GEARCASE INSPECT FLUID <small>ADD AS NEEDED</small> TRANSMISSION INSPECT FLUID <small>ADD AS NEEDED</small>	ENGINE OIL & OIL FILTER CHANGE GENERAL LUBRICATION ALL FITTINGS, PIVOTS, CABLES, ETC. DRIVE BELT INSPECT <small>REPLACE AS NEEDED</small> TRANSMISSION CHANGE FLUID BATTERY TEST & CLEAN <small>REPLACE AS NEEDED</small> BRAKE PADS INSPECT <small>REPLACE AS NEEDED</small>	ENGINE OIL & OIL FILTER CHANGE GENERAL LUBRICATION ALL FITTINGS, PIVOTS, CABLES, ETC. DRIVE BELT INSPECT <small>REPLACE AS NEEDED</small> FRONT GEARCASE CHANGE FLUID TRANSMISSION CHANGE FLUID SPARK PLUGS INSPECT <small>REPLACE AS NEEDED</small>	BATTERY TEST & CLEAN <small>REPLACE AS NEEDED</small> BRAKE FLUID INSPECT <small>ADD AS NEEDED</small> BRAKE PADS INSPECT <small>REPLACE AS NEEDED</small> AIR FILTER CHANGE	REPEAT 12 MONTH MAINTENANCE BRAKE FLUID CHANGE	ENGINE OIL & OIL FILTER CHANGE GENERAL LUBRICATION ALL FITTINGS, PIVOTS, CABLES, ETC. DRIVE BELT INSPECT <small>REPLACE AS NEEDED</small> TRANSMISSION CHANGE FLUID BATTERY TEST & CLEAN <small>REPLACE AS NEEDED</small> BRAKE PADS INSPECT <small>REPLACE AS NEEDED</small>	REPEAT 12 MONTH MAINTENANCE

FOR A COMPLETE MAINTENANCE SCHEDULE, CHECK YOUR OWNER'S MANUAL



RANGER 150 EFI



YOUTH CRAWLER TIRE

- Premium durability to ride longer
- Increased ground clearance and performance
- » 22" x 8" R12 • 5416945
- » 22" x 10" R12 • 5416944



YOUTH BUCKLE WHEEL

- » FRONT • 12" x 7" • 1524114
- » REAR • 12" x 8" • 1524115



PRO ARMOR WHEEL & TIRE KIT: YOUTH CRAWLER & BUCKLE

- » 2885154



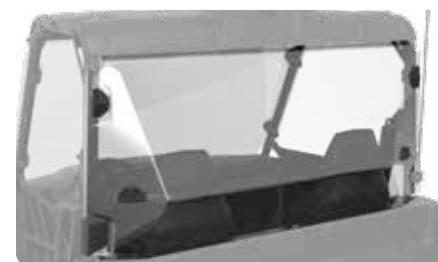
FULL WINDSHIELD - POLY

- .25" clear poly carbonate
- Mounts with Lock & Ride
- » 2889854



HALF WINDSHIELD - POLY

- 13" tall to provide protection and allow airflow
- .25" clear poly carbonate
- Mounts with Lock & Ride
- » 2889855



REAR PANEL - POLY

- .25" clear poly carbonate
- Mounts with Lock & Ride
- » 2889856



FRONT & REAR BRUSHGUARD SET

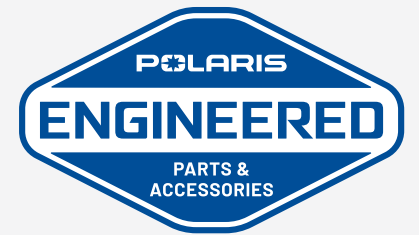
- Durable, e-coated steel construction
- Front and rear brushguard included
- » 2883287



SPORT ROOF - POLY

- Stay protected from rain, snow and sun
- Easily installs
- » 2883289

MAINTENANCE PARTS & FLUIDS



POLARIS ENGINEERED PARTS AND OIL

have been validated and tested extensively, specifically for your vehicle. In order to maintain the peak performance of your Polaris vehicle only use official Polaris Engineered parts and oil.



DRIVE BELT

- » 3050270



BRAKE PADS

- » FRONT • 1912970
- » REAR • 1912971



OIL FILTER

- » 3023344



BATTERY

- » 4010678



AIR FILTER

- » 7082249



SPARK PLUGS

- » 3050051



ENGINE OIL

SEE P. 108 FOR DETAILS



ANGLE DRIVE FLUID

- » 1 QT • 2889280



DEMAND DRIVE FLUID

- » 1 QT • 2877922
- » 2.5 GAL. • 2877923



AGL

- » 1 QT • 2878068
- » 1 GAL. • 2878069
- » EXTREME • 1 QT • 2891028



DOT 4 BRAKE FLUID

- » 12 OZ • 2872189



ALL-SEASON GREASE TUBE

- » 3 OZ • 2871322
- » 14 OZ • 2871423

MAINTENANCE SCHEDULE*

BREAK-IN MAINTENANCE

- FIRST 5 HRS | 50 MI / 80 KM
- ENGINE OIL & OIL FILTER CHANGE
- DRIVE CHAIN ADJUST & LUBRICATE
- BRAKE PAD INSPECT

6 MONTHS

- 25 HRS | 500 MI / 800 KM
- ENGINE OIL & OIL FILTER CHANGE
- BATTERY TEST & CLEAN
- GENERAL LUBRICATION ALL FITTINGS, PIVOTS, CABLES, ETC.

12 MONTHS

- 50 HRS | 1000 MI / 1600 KM
- ENGINE OIL & OIL FILTER CHANGE
- BATTERY TEST & CLEAN

18 MONTHS

- 75 HRS | 1,500 MI / 2,500 KM
- ENGINE OIL & OIL FILTER CHANGE
- BATTERY TEST & CLEAN

24 MONTHS

- 100 HRS | 2,000 MI / 3,200 KM
- ENGINE OIL & OIL FILTER CHANGE
- TRANSMISSION CHANGE FLUID
- SPARK PLUG INSPECT
- DRIVE BELT INSPECT
- BATTERY TEST & CLEAN

FOR A COMPLETE MAINTENANCE SCHEDULE, CHECK YOUR OWNER'S MANUAL



*This is a sample maintenance schedule. Please reference and use your owners manual for full maintenance and vehicle care.