

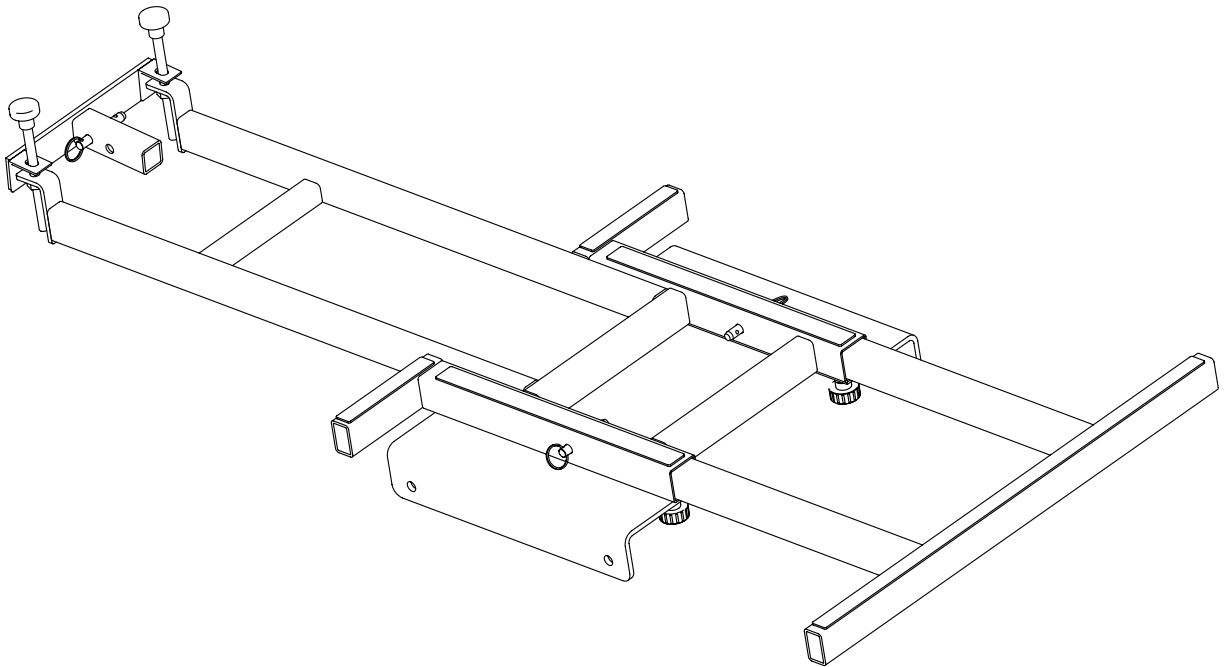


ACE/ATV Attachment

Operating Instructions & Parts Manual

**Model
2830427**

**Capacity
1250 lbs**



This is the safety alert symbol. It is used to alert you to potential personal injury hazards. Obey all safety messages that follow this symbol to avoid possible injury or death.

SFA Companies
10939 N. Pomona Avenue
Kansas City, MO 64153
Phone: 888-332-6419
© Aug. 2015

Printed in China
2830427-M0_082015

SAFETY AND GENERAL INFORMATION

Save these instructions. For your safety, read, understand, and follow the information provided with and on this attachment. The owner and operator of this equipment shall have an understanding of this product and its safe operating procedures before attempting to use. The owner and operator shall be aware that use and repair of this product may require special skills and knowledge. Instructions and safety information shall be conveyed in the operator's native language before use of this lift is authorized. If any doubt exists as to the safe and proper use of this lift, remove from service immediately. Inspect before each use. Do not use if broken, bent, cracked or damaged parts are noted. Any lift that appears damaged in any way, or operates abnormally shall be removed from service immediately. If the product has been or is suspected to have been subjected to a shock load (a load dropped suddenly, unexpectedly upon it), immediately discontinue use until it has been examined by a Polaris authorized service center. It is recommended that an annual inspection be done by qualified personnel. Labels and Operator's Manuals are available from the manufacturer (see Replacement Parts, pg. 6).

PRODUCT DESCRIPTION

The Polaris ACE/ATV Attachment is specifically designed to lift, and support, up to rated capacity loads consisting of a single ATV whose frame is compatible with the lifting platform. Incompatibility is evident when the loaded vehicle wobbles, feels unstable, and/or does not sit securely on the lift platform. This product is NOT suitable for lifting, leveling and/or positioning automobiles, trucks, SUV's or conveyances other than those specifically listed and approved above. This product is NOT suitable for lifting, leveling and/or positioning houses, construction trailers and dwellings in general. This product does not contain independent lifting devices, but is designed to be permanently assembled. The Hydraulic Unit is not to be used independently of the lift.

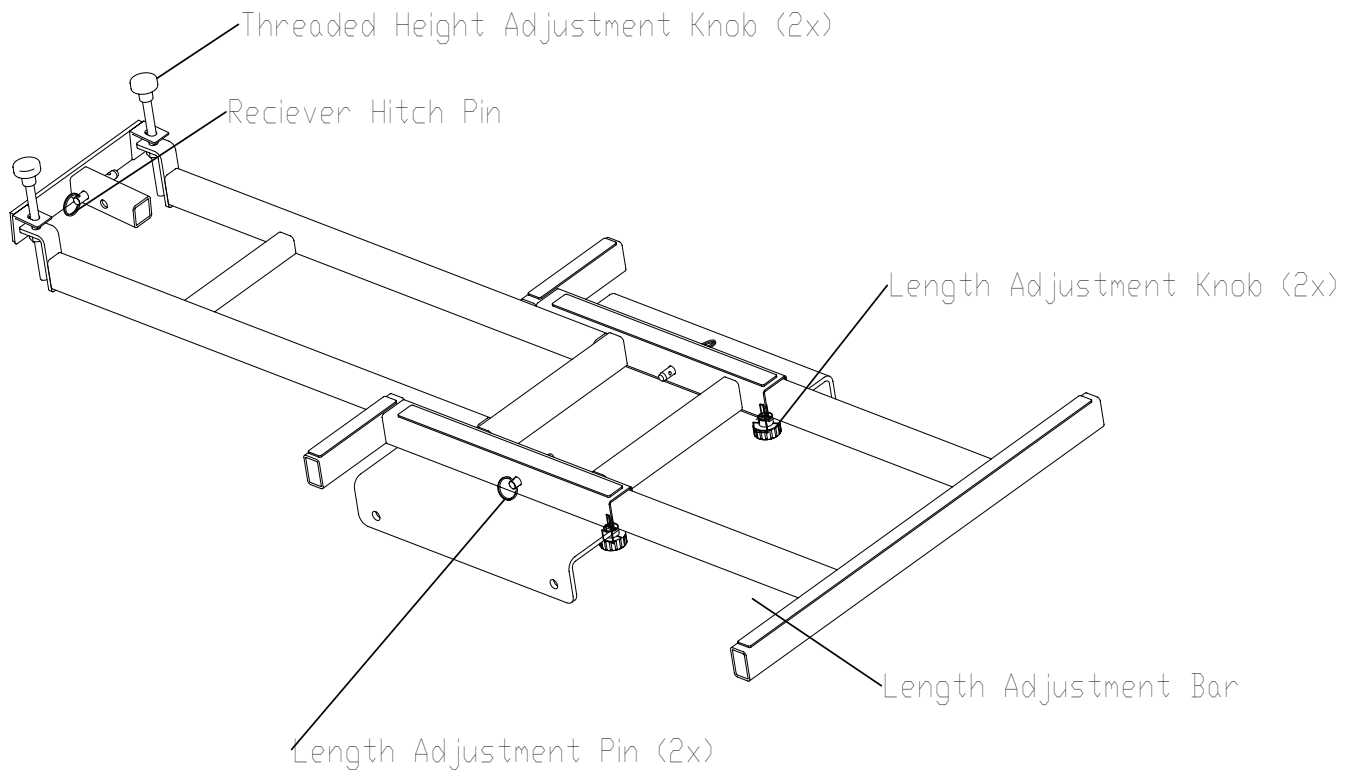


Figure 1 - Model 2830427 Nomenclature

PREPARATION (ref. Fig. 1)

1. Before using this product, read the operator's manual completely and familiarize yourself thoroughly with the product, its components and recognize the hazards associated with its use.
2. Verify that the product and application are compatible, if in doubt call Customer Service (888) 332-6419.



WARNING

- Study, understand and follow all instructions before operating this device.
- Use of this product is limited to lifting, lowering and holding loads consisting of a single vehicle whose lifting points are compatible with the lifting platform. Incompatibility is evident when the loaded vehicle wobbles, appears unstable, and/or does not securely engage the lift platform.
- Do not exceed rated capacity.
- Use only on hard, level surfaces.
- Center load on lift platform.
- Immediately after lifting load, ensure Height Locking Lever is engaged.
- Engage locking caster mechanism before working on or around loaded lift. Do not move or dolly load supported by this device.
- Restraining an incompatible load will not make the load secure and may cause unexpected loss of load.
- Never work on, around or under a load that is not secured and stable.
- Keep operator's and bystander's head, hands and feet away from lift arms when raising and lowering.
- No alterations shall be made to this product.
- Failure to heed this warning may result in personal injury and/or property damage.

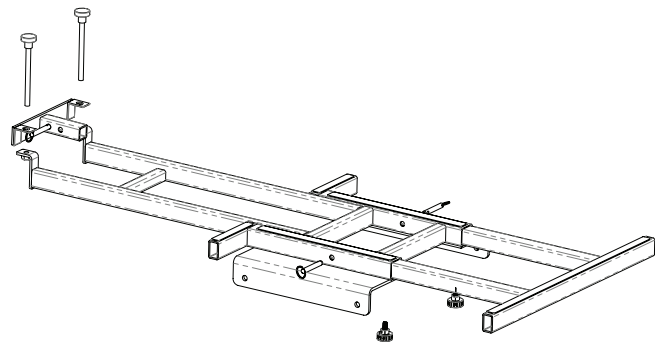


Figure 2 - ATV Adapter Assembly

ASSEMBLY

1. Fasten the ATV attachment to the T-1250 lift saddle with the provided bolts.
2. Once secure install front support member.
3. Review adapter and lift assembly to confirm proper fitment.

OPERATION

1. Line up vehicle undercarriage with saddle.
2. Lift saddle to just before contact to ensure the contact area will be in a proper location.

WARNING: Use only on hard, level surfaces capable of sustaining rated capacity loads.

3. Line up vehicle hitch adapter with products hitch assembly.
4. Close Hydraulic Release Valve and carefully pump jack until vehicle reaches desired height. Final height must correspond with the locking teeth on the Height Locking Lever.
5. Carefully turn the Release Knob counterclockwise until the Lift Platform engages the Height Locking Lever, then close the Release Knob by turning it fully clockwise. **Do not work around or under load unless Height Locking Lever is properly engaged.**

CAUTION: Clear all tools and personnel before lowering load. Only attachments and/or adapters supplied by the manufacturer shall be used with this device.

6. To lower the Lift Platform pump the Lift Pedal several times to disengage the Height Locking Lever, then depress the Height Unlocking Lever pedal. Carefully turn the Release Knob counterclockwise to lower the load slowly.

MAINTENANCE

Keep lift clean and well lubricated. Apply a couple of drops of light machine oil to all pivoting joints as needed. Thoroughly wipe up excess oil.

Lubrication

A periodic coating of light lubricating oil to pivot points, axles and hinges will help to prevent rust and assure that wheels, casters and pump assemblies move freely.

Cleaning

Check the pump piston and Ram occasionally for signs of rust or corrosion. Clean as needed and wipe with an oily cloth.

Storage

When lift is not in use, Lift Platform should be stored in the fully retracted position.

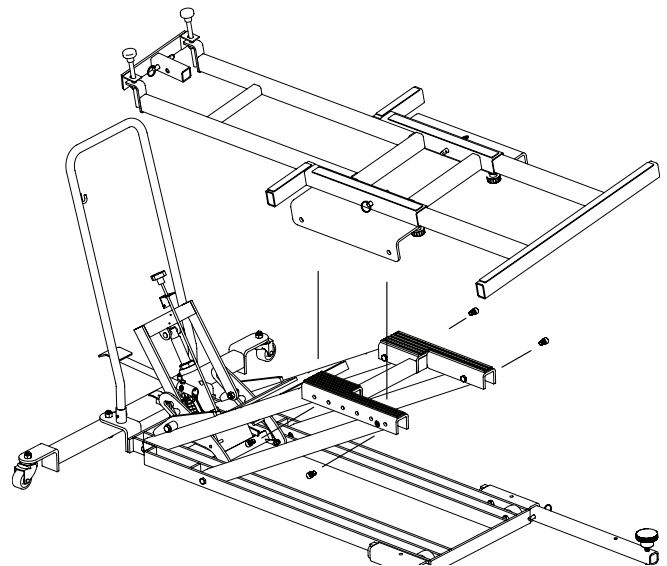


Figure 3 - ATV Attachment Assembly

TROUBLESHOOTING

Symptom	Possible Causes	Corrective Action
Hydraulic Unit will not lift	<ul style="list-style-type: none"> • Release Valve not tightly closed • Overload condition 	<ul style="list-style-type: none"> • Ensure Release Valve tightly closed • Reduce overload condition
Hydraulic Unit bleeds off after lift	<ul style="list-style-type: none"> • Release Valve not tightly closed • Overload condition 	<ul style="list-style-type: none"> • Ensure Release Valve tightly closed • Reduce overload condition • Contact Customer Service
Lifting Platform will not lower after unloading	<ul style="list-style-type: none"> • Reservoir overfilled • Linkages binding 	<ul style="list-style-type: none"> • Drain fluid to proper level • Clean and lubricate moving parts
Poor lift performance	<ul style="list-style-type: none"> • Fluid level low • Air trapped in system 	<ul style="list-style-type: none"> • Ensure proper fluid level • Follow Bleeding/Venting Trapped Air procedure, pg. 4
Will not lift to full extension	<ul style="list-style-type: none"> • Fluid level low 	<ul style="list-style-type: none"> • Ensure proper fluid level

REPLACEMENT PARTS

Available Parts: Please refer to the parts drawing when ordering parts. Not all components of the Lift are replacement items, but are illustrated as a convenient reference of location and position in the assembly sequence. When ordering parts, give Model number, serial number and description. Call or write for current pricing: SFA Companies, 10939 N. Pomona Ave. Kansas City, MO 64153, U.S.A. Telephone: 1-888-332-6419 Fax: 1-816-891-6599

Item	Part No.	Description	Qty
1	2830427-1	Receiver Hitch AssZembly	1
2	2830427-2	Frame	1
3	2830427-3	Front Extension	1
4	2830427-4	Hardware Kit (not shown)	-
-	2830427-L0	Labels (not shown)	-
-	2830427-M0	Owner's Manual	-

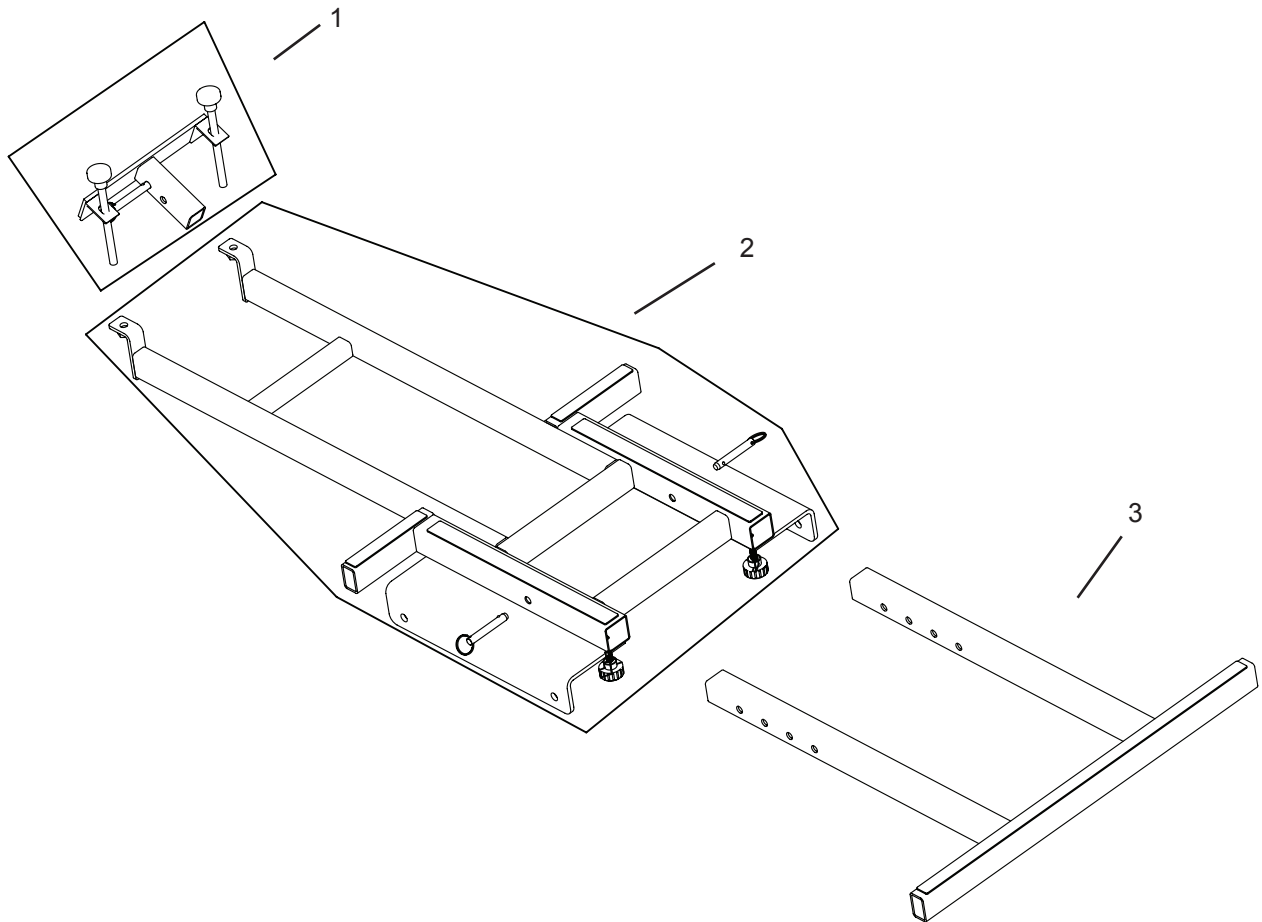


Figure 5 - Replacement Parts Illustration for Model 2830427

NOTES:

ONE YEAR LIMITED WARRANTY

For a period of one (1) year from date of purchase, **SFA Companies** will repair or replace, at its option, without charge, any of its products which fails due to a defect in material or workmanship, or which fails to conform to any implied warranty not excluded hereby.

Performance of any obligation under this warranty may be obtained by returning the warranted product, freight prepaid, to **SFA Companies** Warranty Service Department, 10939 N. Pomona Ave., Kansas City, MO 64153.

Except where such limitations and exclusions are specifically prohibited by applicable law, (1) the CONSUMER'S SOLE AND EXCLUSIVE REMEDY SHALL BE THE REPAIR OR REPLACEMENT OF DEFECTIVE PRODUCTS AS DESCRIBED ABOVE, and (2) **SFA Companies** SHALL NOT BE LIABLE FOR ANY CONSEQUENTIAL OR INCIDENTAL DAMAGE OR LOSS WHATSOEVER, and (3) THE DURATION OF ANY AND ALL EXPRESSED AND IMPLIED WARRANTIES, INCLUDING WITHOUT LIMITATION, ANY WARRANTIES OF MERCHANTABILITY AND FITNESS FOR A PARTICULAR PURPOSE, IS LIMITED TO A PERIOD OF ONE (1) YEAR FROM DATE OF PURCHASE.

Some states do not allow limitations on how long an implied warranty lasts, so the above limitation may not apply to you. Some states do not allow the exclusion or limitation of incidental or consequential damages, so the above limitation or exclusion may not apply to you. This warranty gives you specific legal rights, and you may also have other rights which vary from state to state.