

DRIVING LIGHTS MOUNT KIT



P/N 2884899-XXX

IMPORTANT

Due to the technical nature of this kit, Indian Motorcycle® insists that this installation be performed by a certified Indian Motorcycle® technician.

BEFORE YOU BEGIN

Read these instructions and check to be sure all parts and tools are accounted for. Please retain these installation instructions for future reference and parts ordering information.

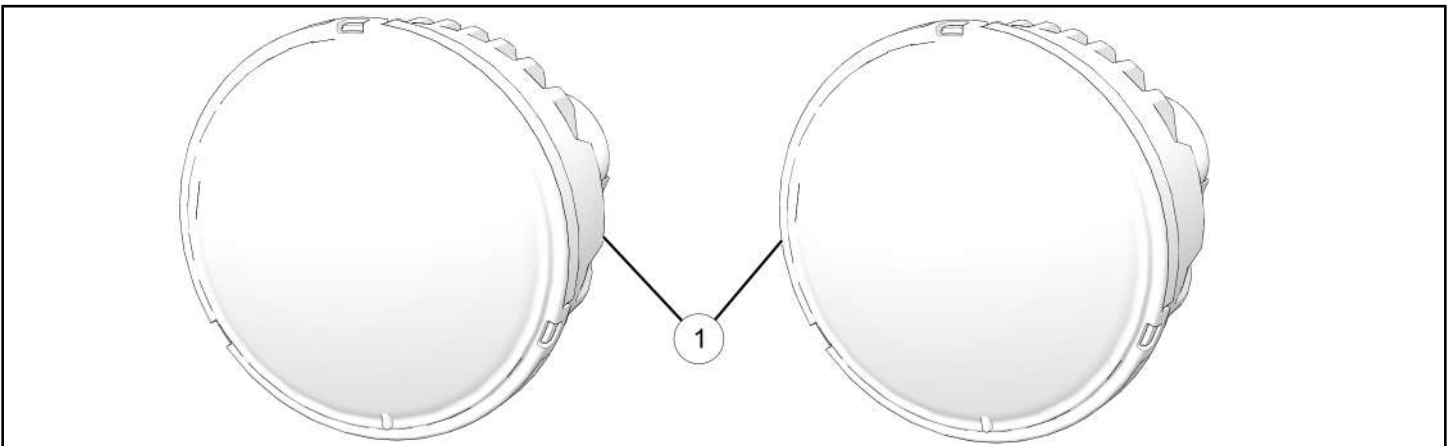
APPLICATION

Verify accessory fitment at www.indianmotorcycle.com.

REQUIRED SOLD SEPARATELY

Only parts for installation of the Indian Motorcycle® Driving Lights Mount Kit are included. For complete installation, the following additional kit is required (sold separately):

- *Driving Light Kit, P/N 2884708-XXX*

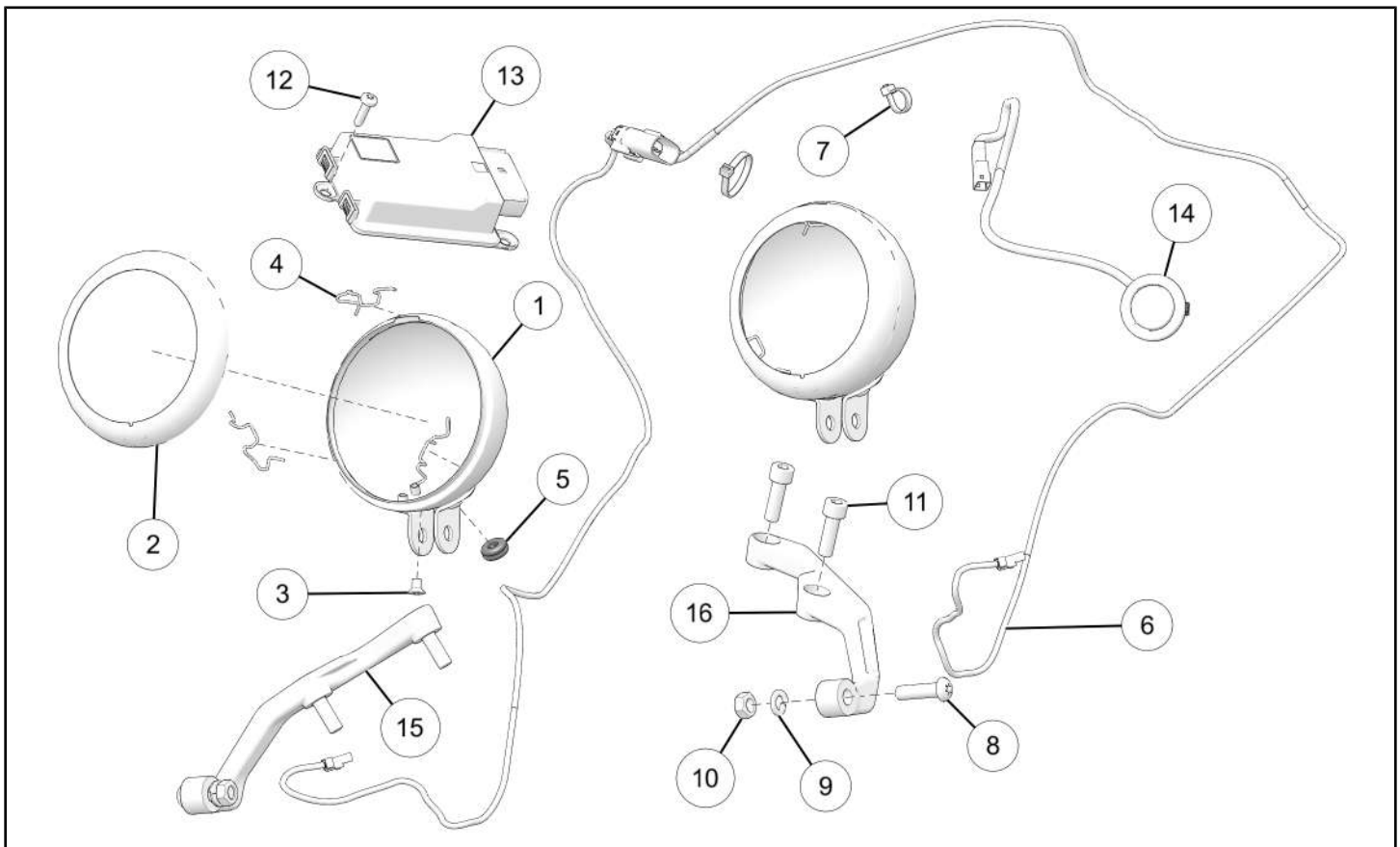


NOTICE

XXX = Indian Motorcycle® color code (For example: 266 = Black)

REF	QTY	PART DESCRIPTION	P/N AVAILABLE SEPARATELY
1	2	Assembly, Driving Light, LED	2415413-XXX

KIT CONTENTS



NOTICE

XXX = Indian Motorcycle® color code (For example: 266 = Black)

REF	QTY	PART DESCRIPTION	P/N AVAILABLE SEPARATELY
1	2	Assembly, Bucket, Driving Light	2415414
2	2	Assembly, Ring, Driving Light	2415483
3	2	Screw, Flat Head, M5 X 0.8 X 8 mm	7519876
4	6	Clip, Spring, Light	5342748
5	2	Grommet, Rubber, Light Bucket	5417413
6	1	Harness, Driving Light, LED	2415766
7	2	Cable Tie	7080138
8	2	Screw, Torx® Button Head, M8 X 1.25 X 30 mm, Chrome Screw, Torx® Button Head, M8 X 1.25 X 30 mm, Black	7521321 7521322
9	2	Washer, Split M8 X 14 X 2 mm, Chrome Washer, Split M8 X 14 X 2 mm, Black	7556528 7557222,
10	2	Nut, Hex, M8 X 1.25 mm, Chrome Nut, Hex, M8 X 1.25 mm, Black	7548036 7547076
11	4	Screw, Socket Head, M8 X 1.25 X 25 mm	7520170
12	1	Screw, Torx® Button Head, #10 X 3/4	7512026

REF	QTY	PART DESCRIPTION	P/N AVAILABLE SEPARATELY
13	1	Control Module, GEN 2, Driving Lights	4080020
14	1	Assembly, Switch, Driving Light, 38 mm, Black	4016999
15	1	Mount, Driving Light, RH	5143686
16	1	Mount, Driving Light, LH	5143685

TOOLS REQUIRED

- Safety Glasses
- Hex Key Set, Metric
- Pliers, Side Cutting
- Screwdriver Set, Torx®
- Socket Set, Hex Bit, Metric
- Socket Set, Metric
- Socket Set, Torx® Bit
- Tape Measure
- Torque Wrench
- **Special Service Tool:**
 - Non-marring Pry Tool, P/N 5456907 (or equivalent)

IMPORTANT

Your Indian Motorcycle® Driving Lights Mount Kit is exclusively designed for your vehicle. Please read the installation instructions thoroughly before beginning. Installation is easier if the vehicle is clean and free of debris. For your safety, and to ensure a satisfactory installation, perform all installation steps correctly in the sequence shown.

INSTALLATION INSTRUCTIONS

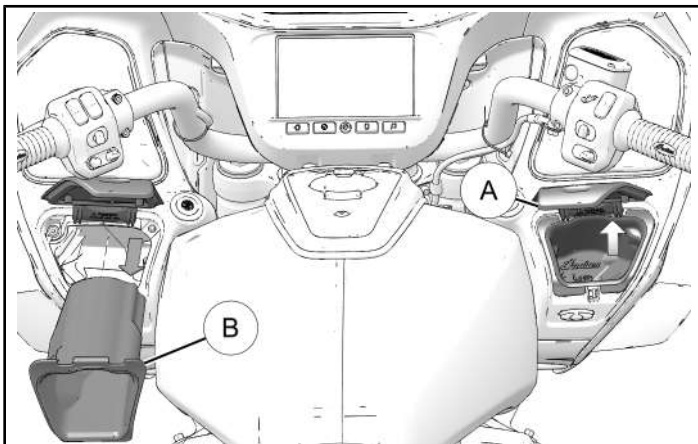
VEHICLE PREPARATION

GENERAL

1. Park motorcycle on a flat surface, fully extend kickstand, and make sure vehicle is stable.
2. Turn key or ignition switch to OFF position and remove key. If equipped with keyless fob, remove fob from proximity of vehicle.

OUTER FAIRING REMOVAL

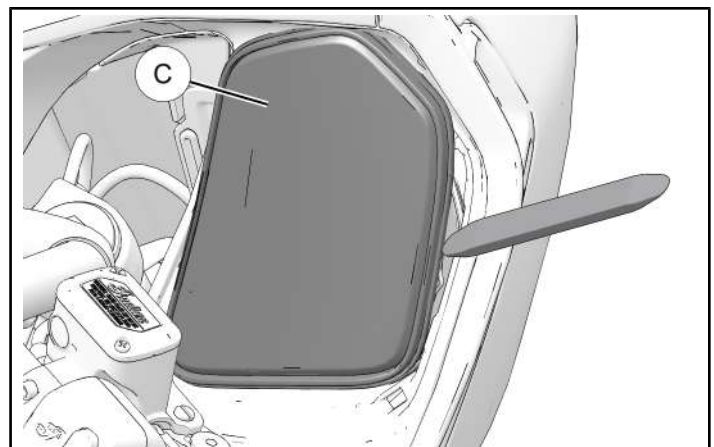
1. Open storage doors (A) and pull out storage liners (B). Set liners aside.



2. Carefully pry along edge with non-marring pry tool to disengage speaker grill assemblies (C).

TIP

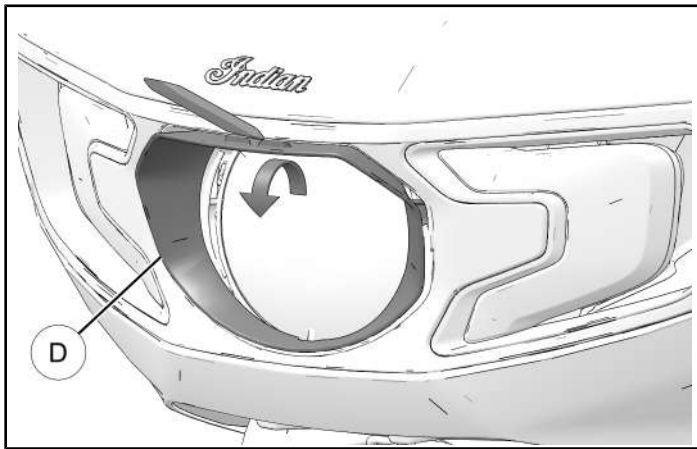
Use Special Tool:
Non-marring Pry Tool, P/N 5456907 (or equivalent)



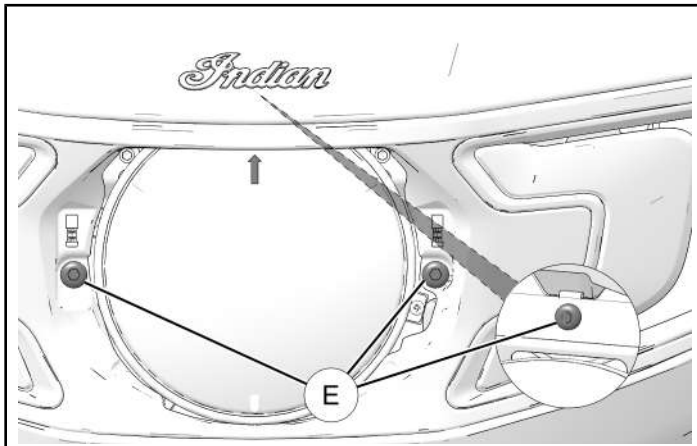
3. Gently pry along top edge of headlight bezel ① with non-marring pry tool. Pull headlight bezel ① down and out. Carefully set aside.

TIP

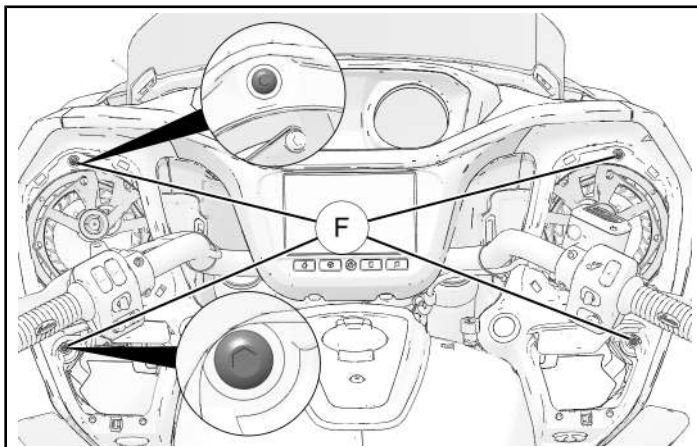
Use Special Tool:
Non-marring Pry Tool, P/N 5456907 (or equivalent)



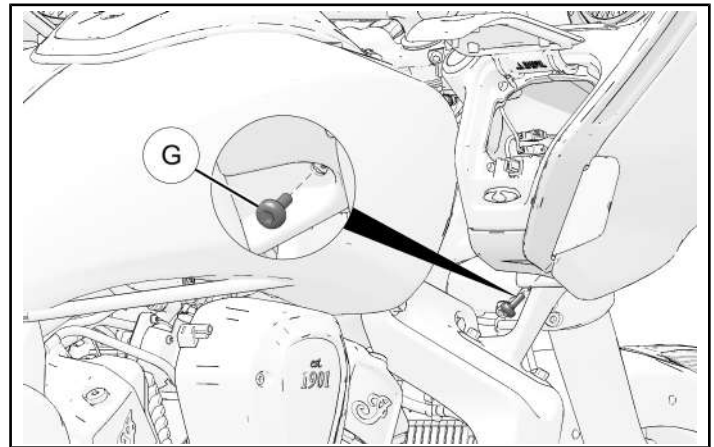
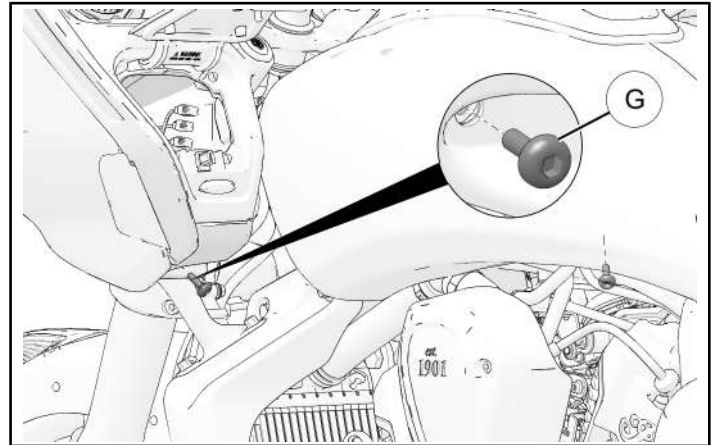
4. Remove and keep three screws ② from around headlight bezel as shown.



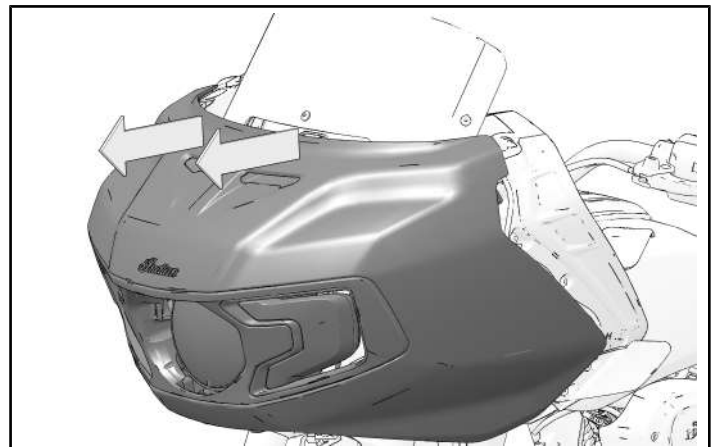
5. Remove and keep two screws ③ from top outer corner of storage openings and two screws ③ from top center of speaker openings.



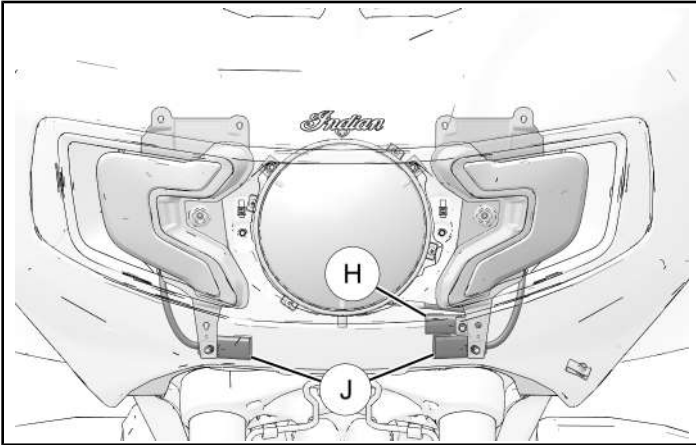
6. Remove and retain one screw ④ from under edge of each side of fairing as shown.



7. Pull fairing outward at top to disengage. Pull fairing out a short distance and disconnect headlight and turn signal wire connectors.



8. Disconnect connectors for headlight (H) and turn signals (J).

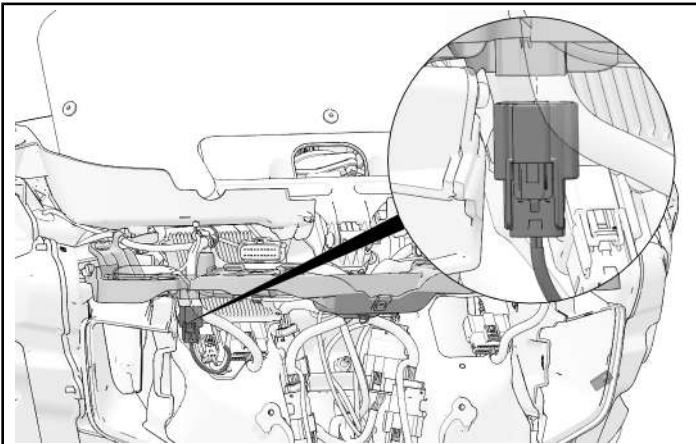


9. Carefully pull outer fairing off motorcycle and set aside.

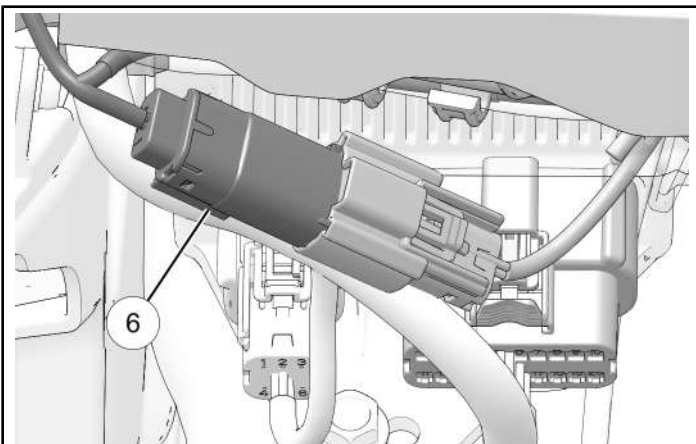
ACCESSORY INSTALLATION

INSTALL DRIVING LIGHT HARNESS

1. Find driving light harness connector in fairing and remove from blank plug.



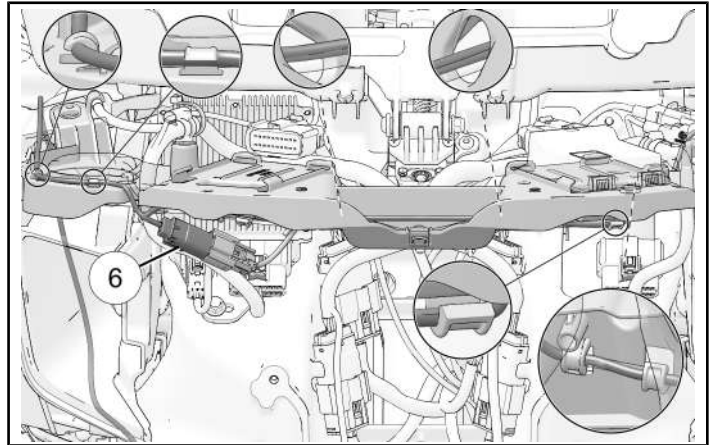
2. Install large connector on driving light harness (6) into chassis harness connector.



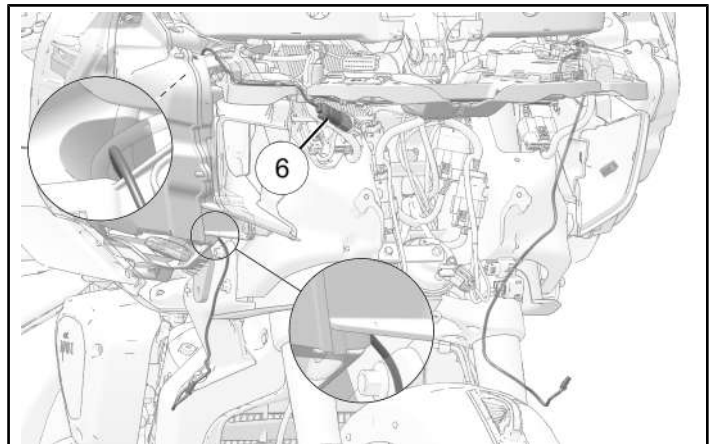
3. Install harness (6) into clips and through openings on inner fairing.

NOTICE

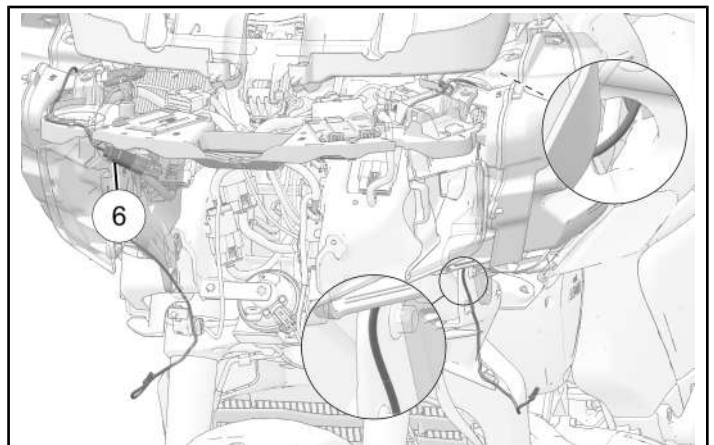
Longer harness lead installs on left side of bike (as seen from driver's seat).



4. Install right driving light harness end (shorter end) behind into opening inner fairing panel as shown and out bottom to right driving light location.

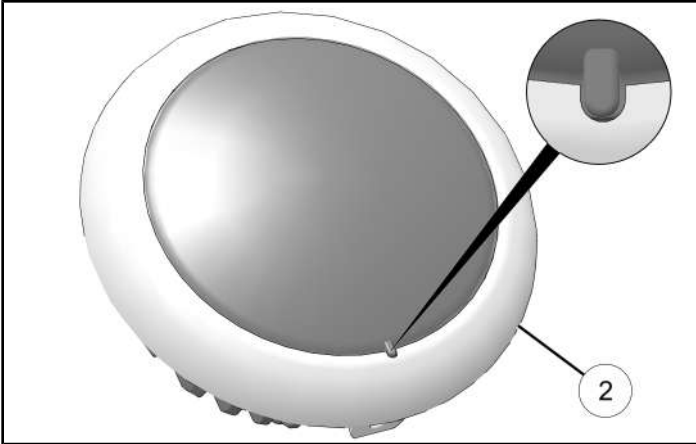


5. Install left driving light harness end (longer end) behind into opening inner fairing panel as shown and out bottom to left driving light location.

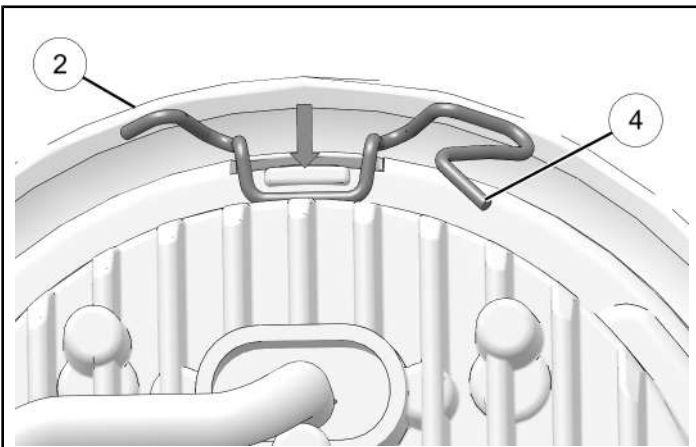


PRE-ASSEMBLE DRIVING LIGHTS

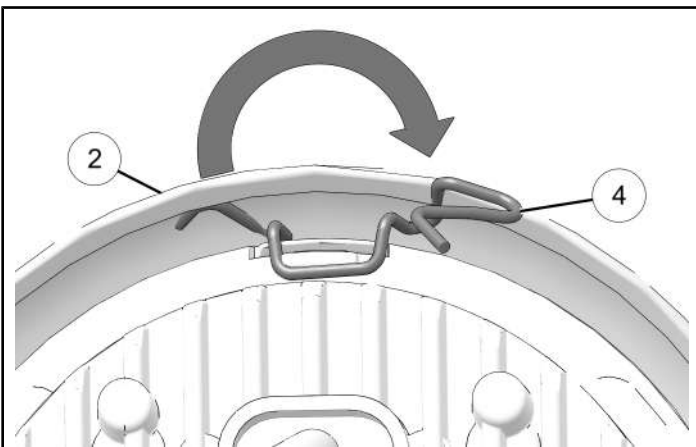
1. Install new LED driving light into trim ring ②. Align tab on light with notch in trim ring as shown in inset.



2. Install spring clips ④ one at a time.
 - a. Make sure the spring clip ④ wires install around driving light locating features on edge of LED light housing as shown.



- b. Hook left end of spring clip ④ under lip of trim ring ②, press right end of spring clip under edge of trim ring. Make sure center of spring clip stays aligned around metal tab of LED light housing.



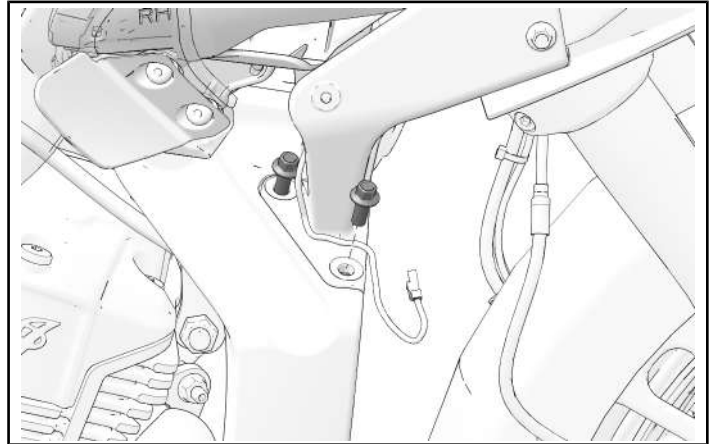
- c. Repeat for other two spring clips.

INSTALL DRIVING LIGHT MOUNTS

IMPORTANT

Mount bracket bolts attach fairing to frame. Install mount brackets one side at a time.

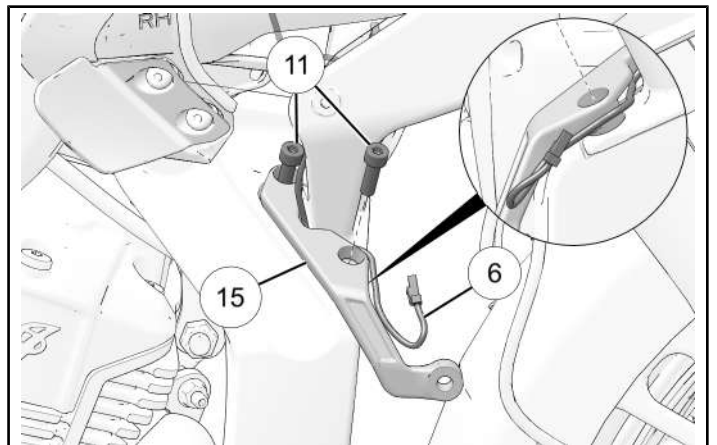
1. Remove and discard two screws from right frame mounting location.



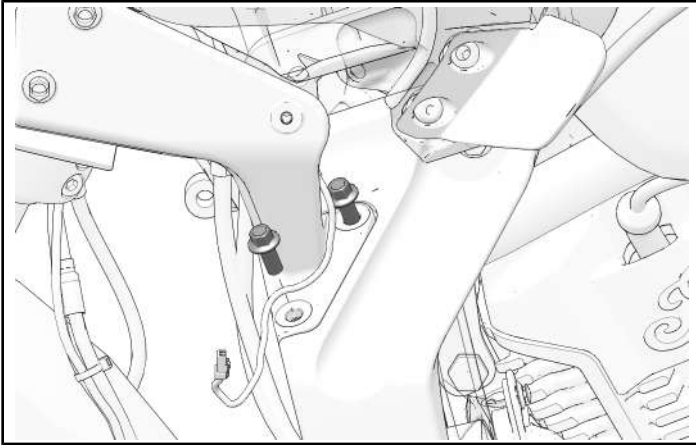
2. Install right driving light mount ⑮ to frame using two new screws ⑪. Make sure driving light harness ⑥ is installed in front of mount as shown. Torque screws ⑪ to specification.

TORQUE

Driving Light Mount Screws ⑪:
18 ft-lbs (24 N·m)



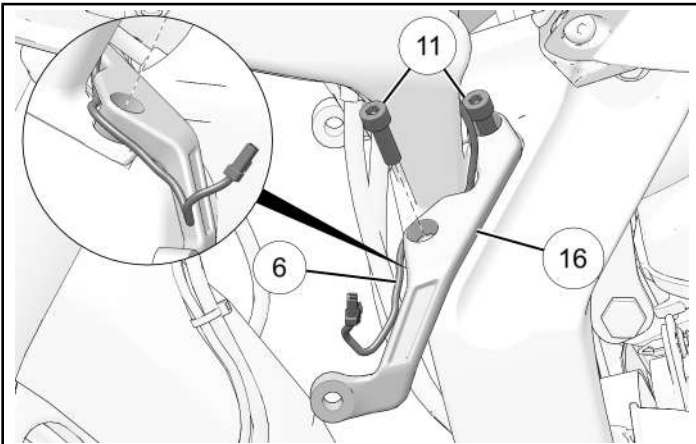
3. Remove and discard two screws from left frame mounting location.



4. Install left driving light mount (16) to frame using two new screws (11). Make sure driving light harness (6) is installed in front of mount as shown. Torque screws (11) to specification.

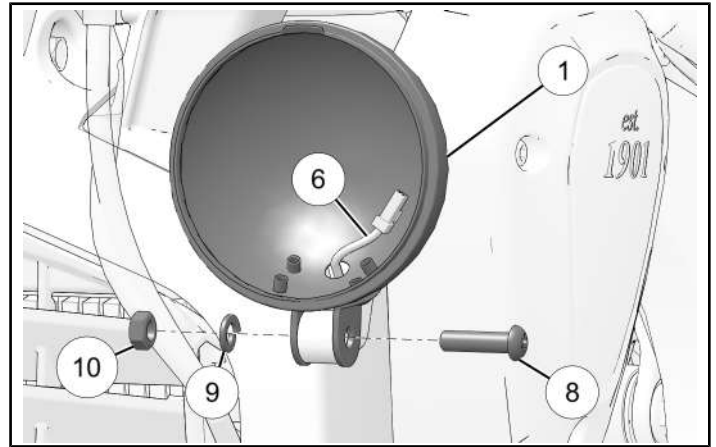
TORQUE

Driving Light Mount Screws (11):
18 ft-lbs (24 N·m)



5. Loosely install driving light bucket (1) to mount with new screw (8), lock washer (9), and nut (10). Install wire end (6) through hole in bucket.

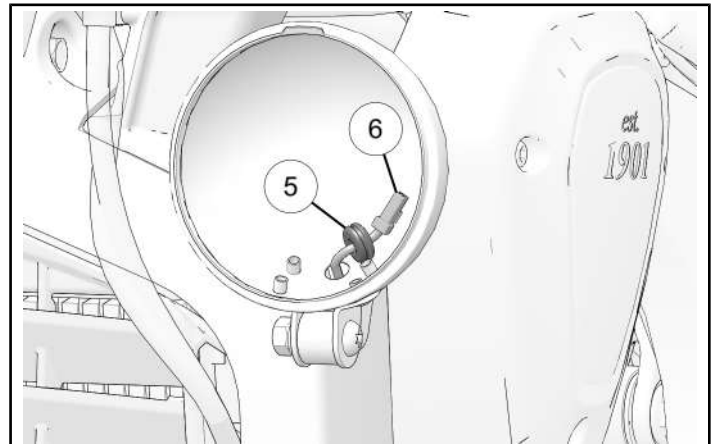
DO NOT torque fasteners at this time.



6. Install one rubber grommet (5) onto left and right driving light harness end (6).

TIP

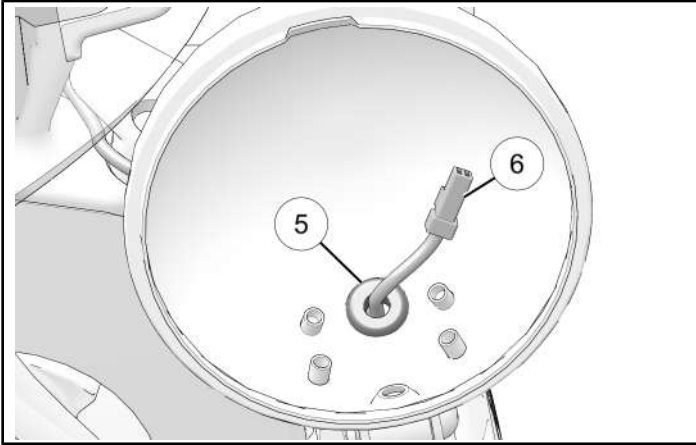
Use soapy water to ease grommet installation.



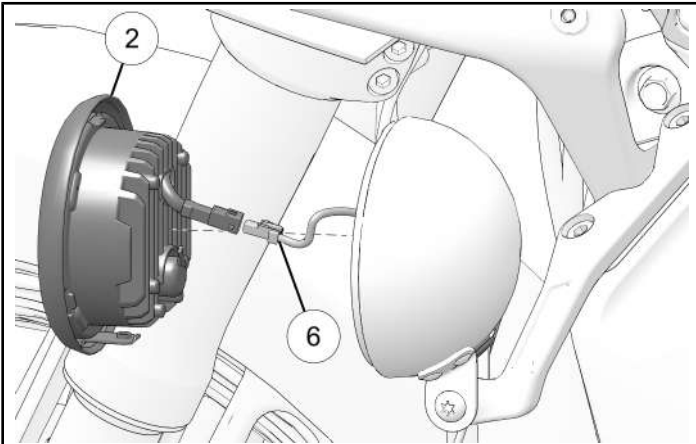
7. Install rubber grommet ⑤ into opening. Leave enough slack in wire ⑥ to connect to driving light.

TIP

Use soapy water to ease grommet installation.



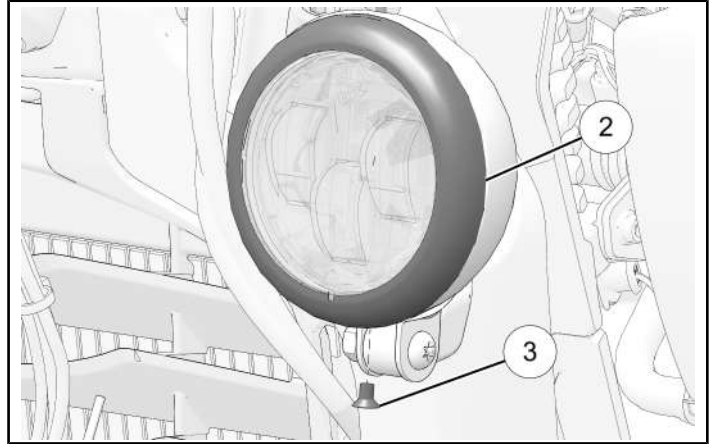
8. Connect driving light assembly ② to driving light harness ⑥.



9. Install driving light assembly ② into bucket and attach with screw ③. Torque screw to specification.

TORQUE

Driving Light Trim Ring Screw ③:
35 in-lbs (4 N·m)

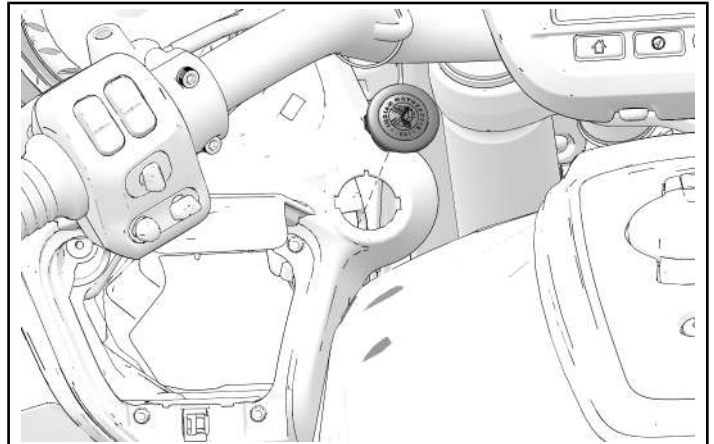


INSTALL SWITCH

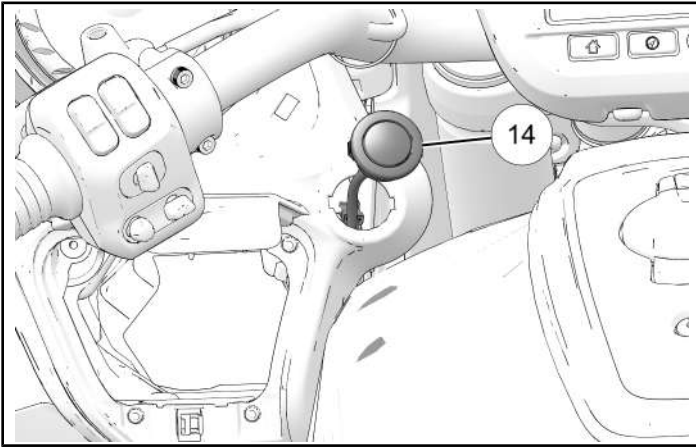
1. Remove blank plug from inner fairing and discard.

TIP

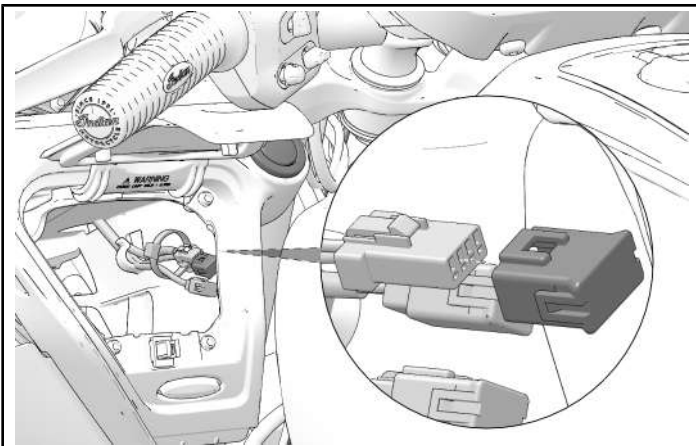
Blank plug can be pressed out from behind.



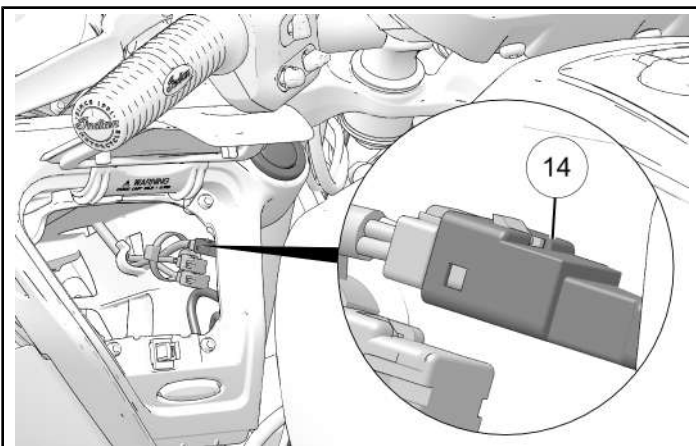
2. Install new switch ⑭ into opening. Press into place until a click is heard.



3. Find 4-pin connector inside left storage compartment. Remove and discard cap from connector.

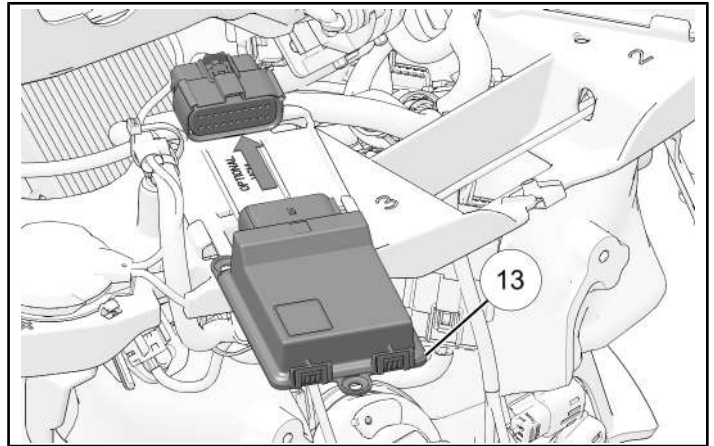


4. Connect driving light switch connector ⑭ to vehicle connector.



INSTALL CONTROL MODULE

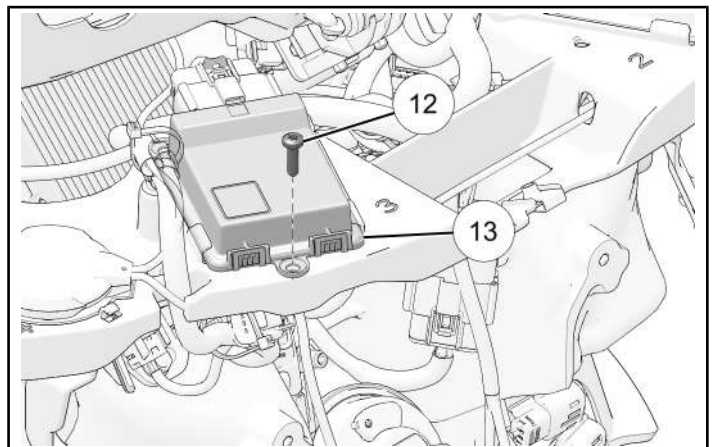
1. Install driving light control module ⑬ into bracket under fairing and connect vehicle harness to module.



2. Attach module to inner fairing mount with new screw ⑫. Torque screw to specification.

TORQUE

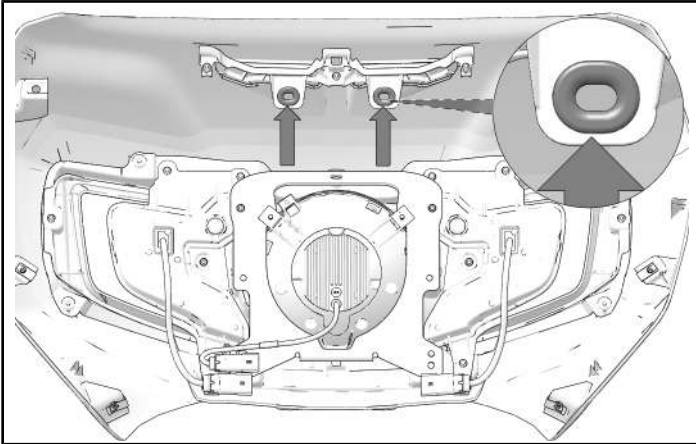
Driving Light Module Screw ⑫:
35 in-lbs (4 N·m)



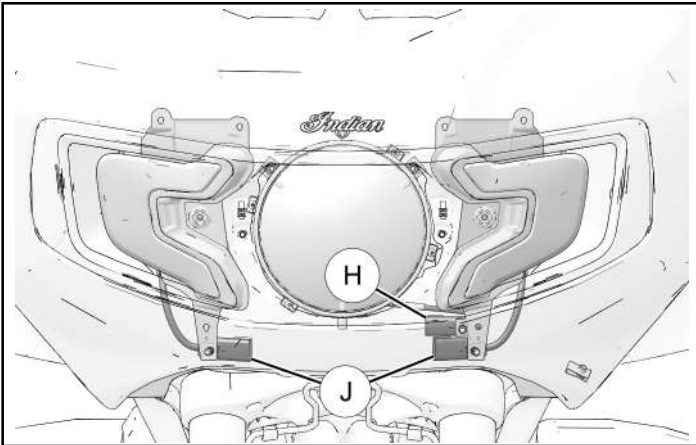
VEHICLE REASSEMBLY

OUTER FAIRING INSTALLATION

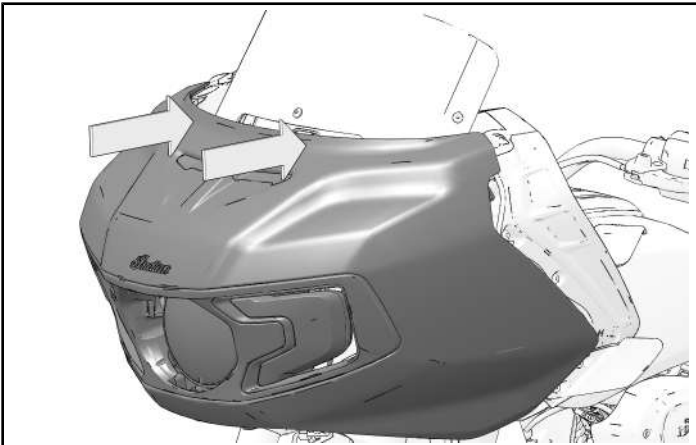
1. Lubricate two grommets on inside of fairing.



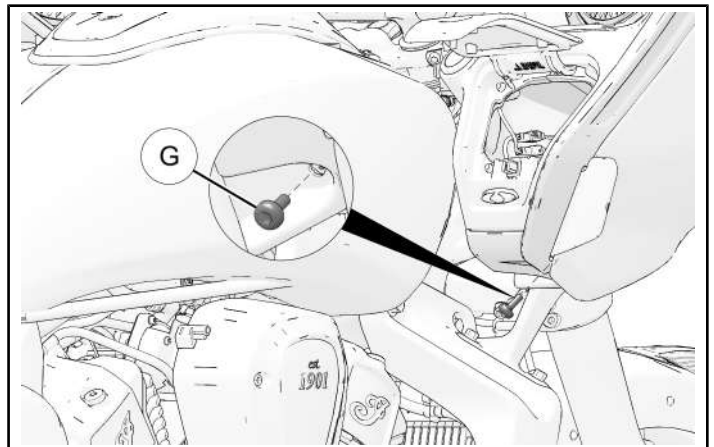
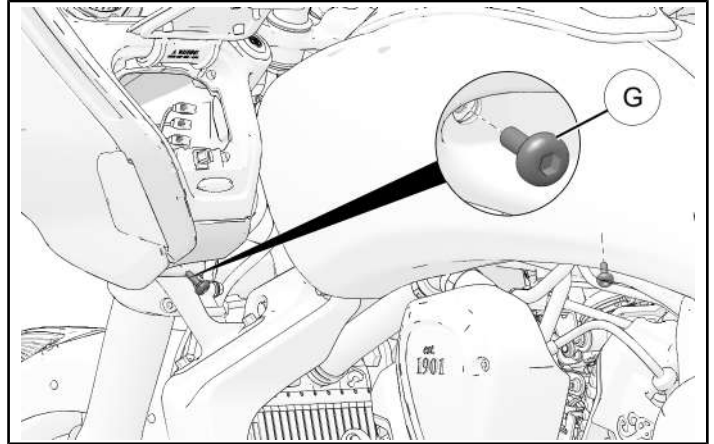
2. Set outer fairing in place and connect turn signal (J) and headlight (H) wire connectors.



3. Press fairing into place and at top edge to engage locating pins.

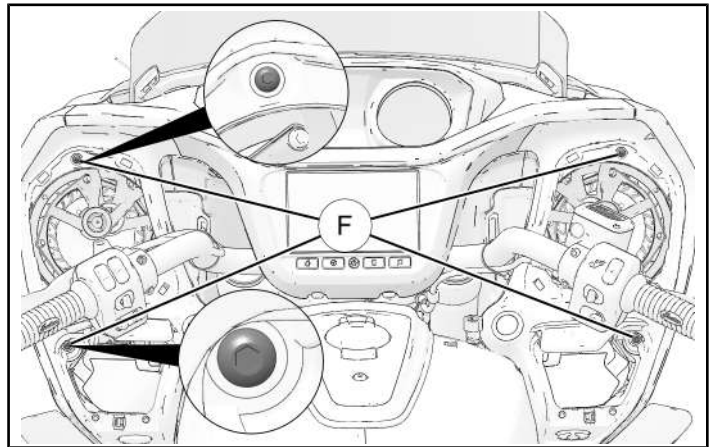


4. Loosely install one screw (G) into hole under edge of each side of fairing as shown. **DO NOT** torque fastener at this time.

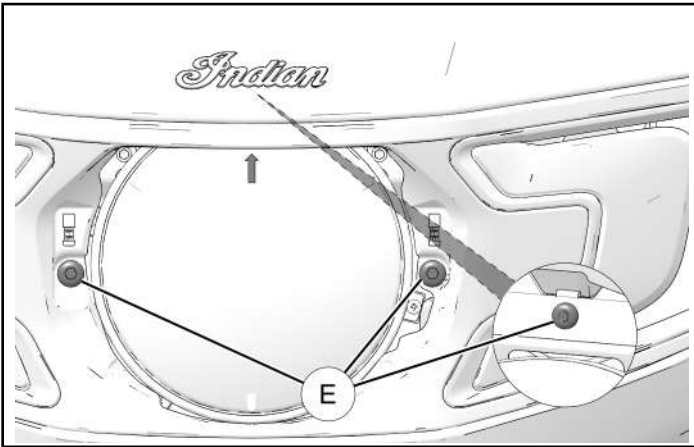


5. Loosely install two screws (F) into top outer corner of storage openings and two screws (F) into top center of speaker openings.

DO NOT torque fasteners at this time.



6. Loosely install three screws (E) around headlight bezel as shown.



7. Torque all outer fairing screws to specification.

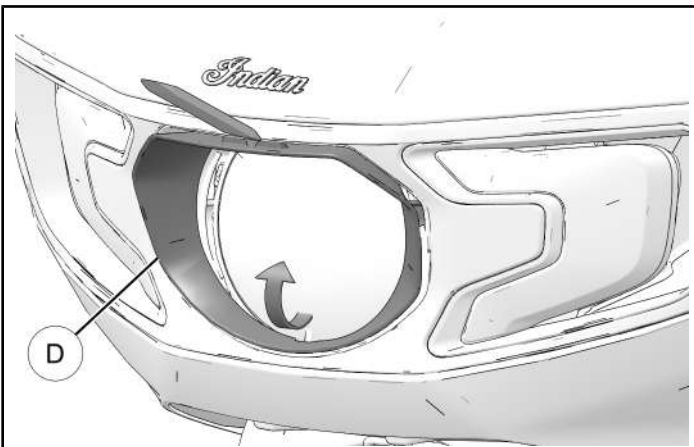
TORQUE

Outer Fairing Screws (E), (F), (G):
36 in-lbs (4 N·m)

8. Carefully reinstall headlight bezel (D) into outer fairing opening starting with bottom tab. Press down on bezel (or use non-marring tool as shown) to insert upper tabs without damaging finish.

TIP

Use Special Tool:
Non-marring Pry Tool, P/N 5456907 (or equivalent)



9. Reinstall fairing speaker grills (C).

10. Reinsert storage liners (B).

DIGITAL WRENCH

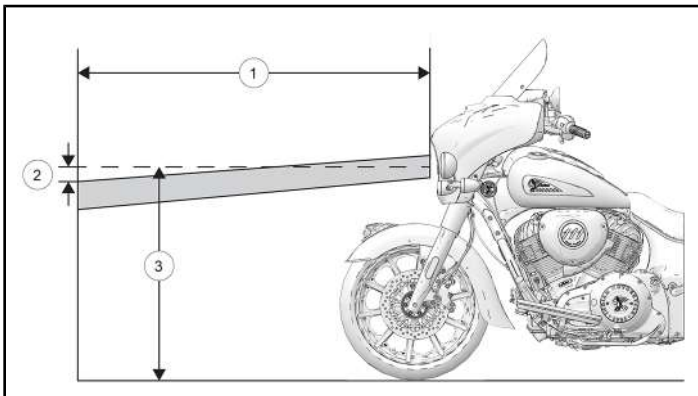
1. Perform vehicle control module update with Digital Wrench® **Auxiliary Controller Reprogramming**.

DRIVING LIGHT AIM AND INSPECTION

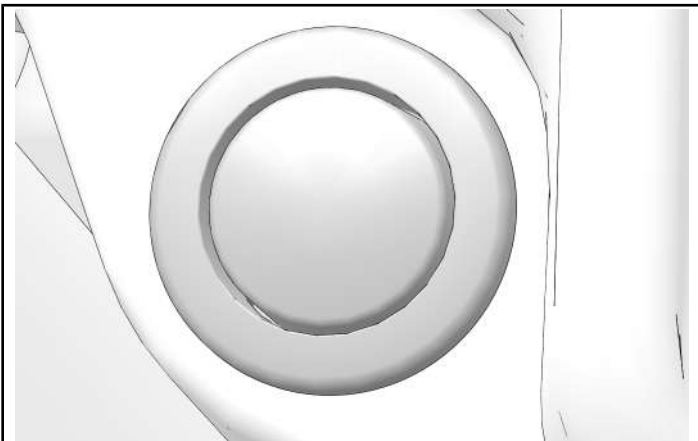
DRIVING LIGHT INSPECTION PROCEDURE

Follow all steps below to make sure you have accurate aim.

1. Check and adjust tire pressure to specification.
2. Make sure suspension ride height (preload) is set to specification.
3. Move the motorcycle to a clear area with a level floor and dim lighting. Place it so the top front edge of the headlight housing is 32 ft 10 in (10 m) from the wall.
4. With the rider and passenger (if applicable) on board, bring the motorcycle to a fully upright position. Center the handlebars in a straight ahead position.
5. Start the engine and switch the driving lights on.
6. Compare the position of the driving light beam on the wall to the following illustration and adjust if necessary.



OPERATION

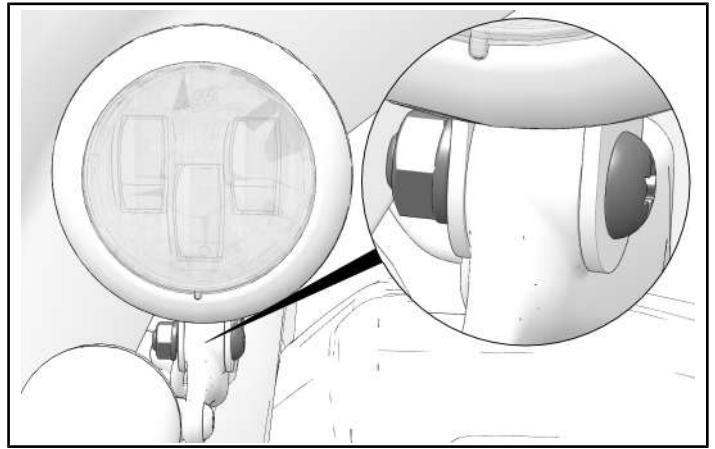


With the driving lights switched on, the top of the highest intensity should be 4 in (10 cm) below the height of the driving light bulb ③ when centered straight ahead at 32 ft 10 in (10 m)

LOCATION	MEASUREMENT
①	32 ft 10 in (10 m)
②	4 in (10 cm)
③	Driving Light Center

DRIVING LIGHT AIM ADJUSTMENT PROCEDURE

The driving light adjustment screws are located on the bracket to for the driving lights.



1. To adjust the driving light vertically, loosen screw and pivot housing upward or downward.
2. Once adjusted, torque driving light adjustment screws to specification.

TORQUE

Driving Light Adjustment Screw:
18 ft-lbs (24 N·m)

- The driving light switch has two positions: ON and OFF.
- Illumination of the driving light switch will alternate when ON or OFF.
- Press the switch one time to change the driving lights to ON or OFF.

INSTRUCTION FEEDBACK FORM

A feedback form has been created for the installer to provide any comments, questions or concerns about the installation instructions. The form is viewable on mobile devices by scanning the QR code or by clicking [HERE](#) if viewing on a PC.

