

# BED RACK KIT



P/N 2885113

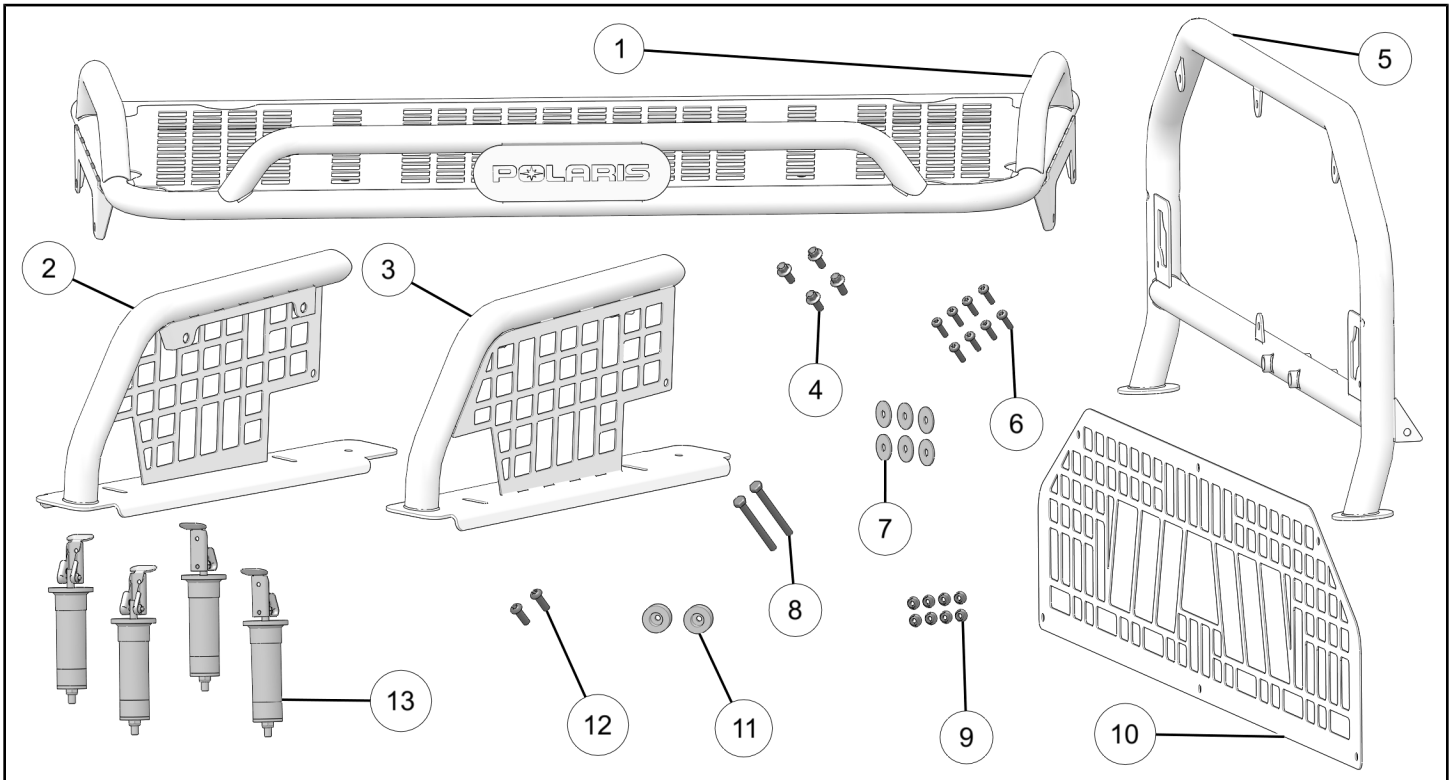
## BEFORE YOU BEGIN

Read these instructions and check to be sure all parts and tools are accounted for. Please retain these installation instructions for future reference and parts ordering information.

## APPLICATION

Verify accessory fitment at [www.polaris.com](http://www.polaris.com).

## KIT CONTENTS



REF	QTY	PART DESCRIPTION	P/N AVAILABLE SEPARATELY
1	1	Weld-Bed Rack, Basket	1026330
2	1	Weld-Bed Rack, Side Frame, LH	1026328
3	1	Weld-Bed Rack, Side Frame, RH	1026329
4	4	Screw-Hex Flange, M8 x 1.25 x 20	7517838
5	1	Weld-Bed Rack, Main Frame	1026298
6	8	Screw-Torx® Pan Head, M6 x 1.0 x 25	7518535
7	6	Washer, 8.4 x 30	7556219
8	2	Screw-Hex Head, M8 x 1.25 x 80	7521048
9	8	Nut-Hex Flange, M6 x 1.0	7547453
10	1	Panel-Side, Rear	5270618

REF	QTY	PART DESCRIPTION	P/N AVAILABLE SEPARATELY
11	2	Bumper-box	5414343
12	2	Screw-Torx® Bolt Head, M8 x 1.25 x 25	7519728
13	4	Expansion Anchor Kit, Lock & Ride®	2877877

## TOOLS REQUIRED

- Safety Glasses
- Socket Set, Metric
- Socket Set, SAE
- Socket Set, Torx® Bit
- Torque Wrench
- Wrench Set, Metric

## IMPORTANT

Your Bed Rack Kit is exclusively designed for your vehicle. Please read the installation instructions thoroughly before beginning. Installation is easier if the vehicle is clean and free of debris. For your safety, and to ensure a satisfactory installation, perform all installation steps correctly in the sequence shown.

## INSTALLATION INSTRUCTIONS

### VEHICLE PREPARATION

#### GENERAL

1. Park vehicle on flat surface.
2. Shift vehicle into **PARK**.
3. Lift vehicle bed to open position.
4. Turn ignition switch to **OFF** and remove key.

### ACCESSORY INSTALLATION

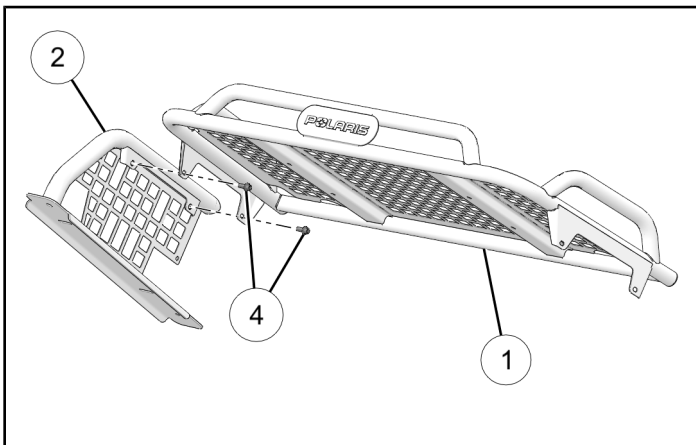
#### ASSEMBLE BED RACK

##### TIP

Assemble bed rack on work bench or other flat surface.

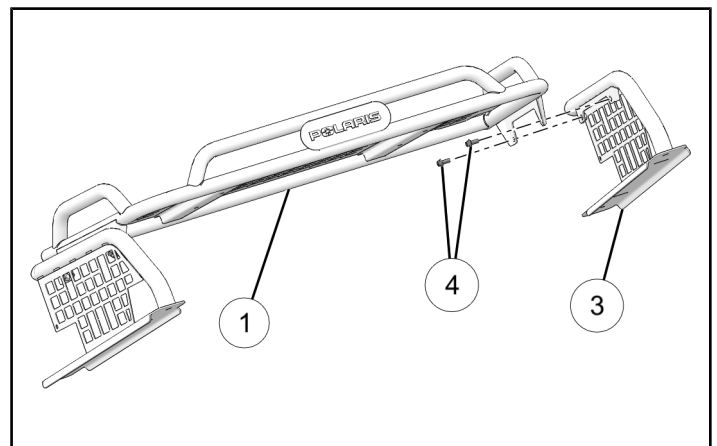
1. Loosely install LH side panel ② to main rack ① using two fasteners ④.

Do not torque fasteners at this time.

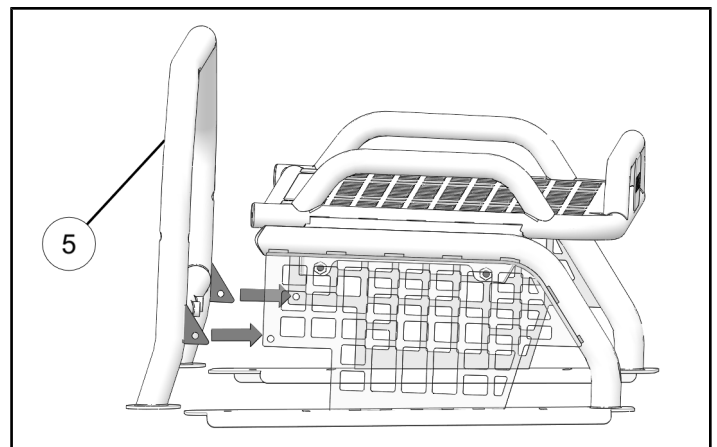


2. Loosely install RH side panel ③ to main rack ① using two fasteners ④.

Do not torque fasteners at this time.

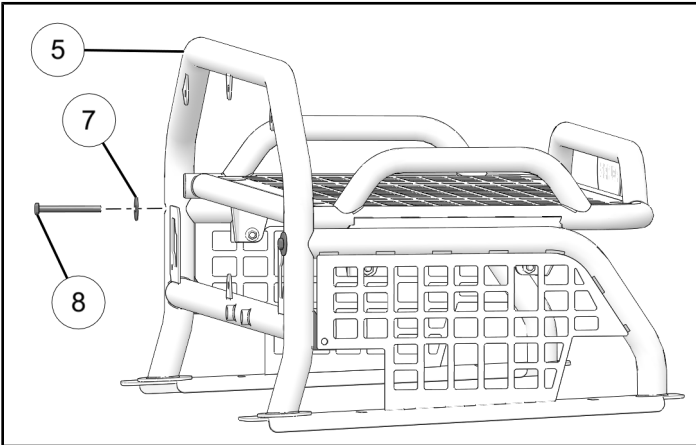


3. Align frame bar ⑤ with tabs on inside of LH and RH side panels.



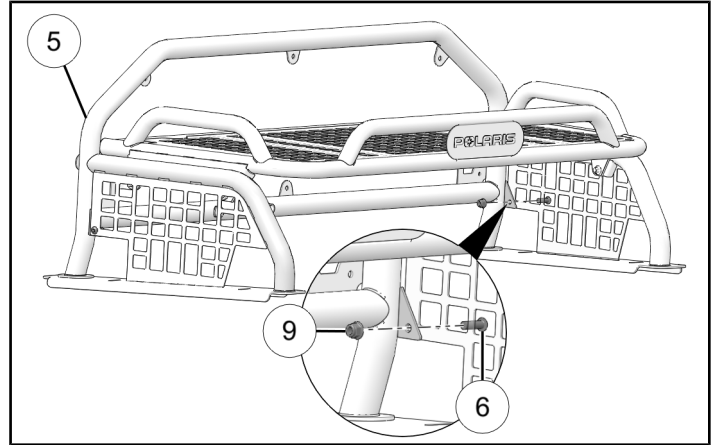
- Loosely install two washers ⑦ and two fasteners ⑧ through frame bar ⑤ into LH and RH side panels.

Do not torque fasteners at this time.



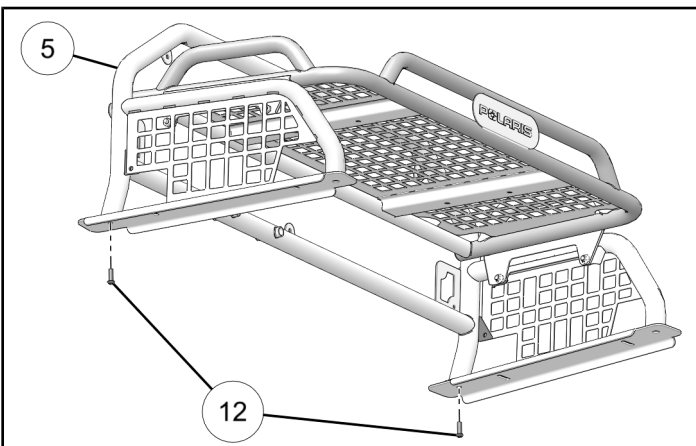
- Loosely attach LH and RH side panels to tabs on frame bar ⑤ using two fasteners ⑥ and two nuts ⑨.

Do not torque fasteners at this time.



- Loosely install bottom fasteners ⑫ up through bottom of LH and RH side panels and into bottom of frame bar ⑤.

Do not torque fasteners at this time.

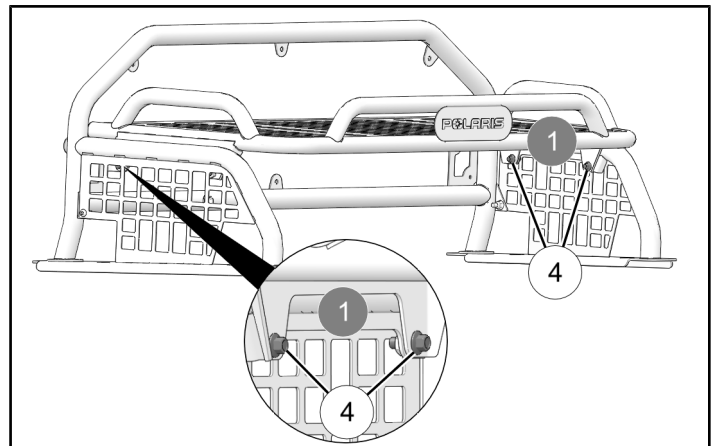


### TORQUE BED RACK FASTENERS

- Torque two LH and two RH side panel fasteners ④ to specification.

#### TORQUE

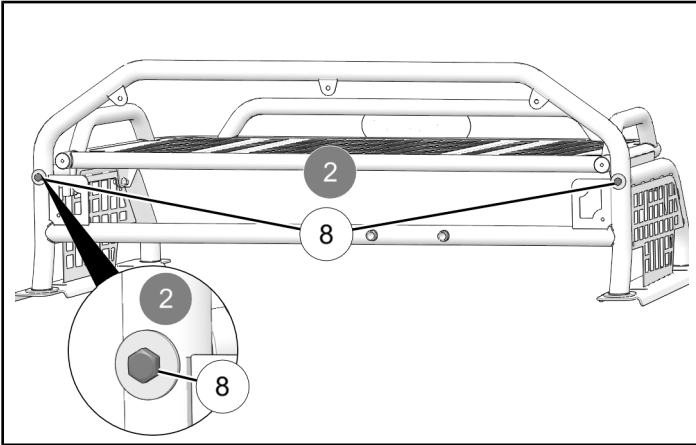
Side Panel Fasteners ④:  
16 ft-lbs (22 N·m)



2. Torque two frame bar fasteners ⑧ to specification.

### TORQUE

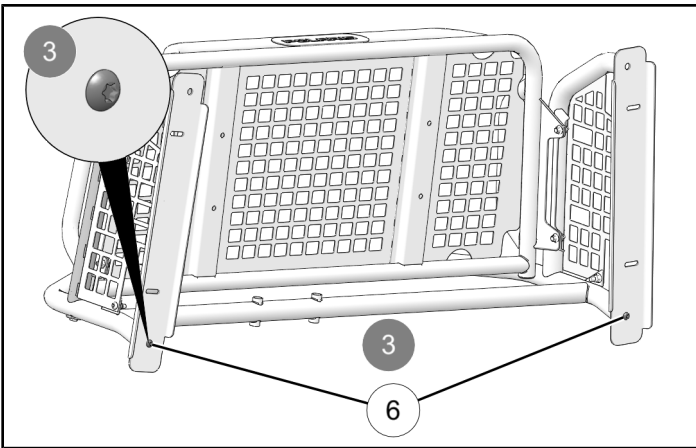
Frame Bar Fasteners ⑧:  
**16 ft-lbs (22 N·m)**



3. Torque two bottom fasteners ⑫ to specification.

### TORQUE

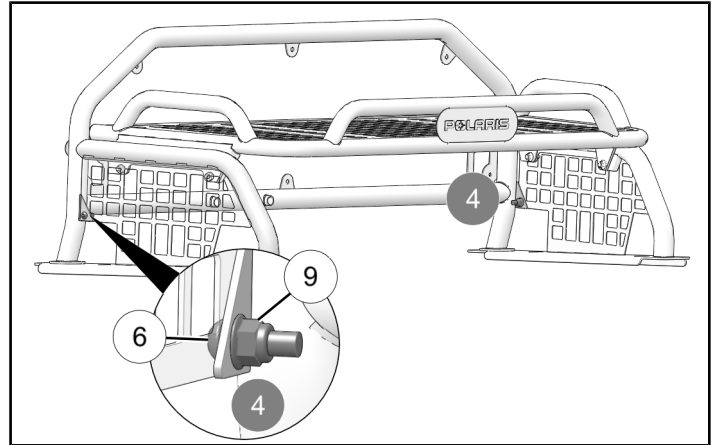
Bottom Fasteners ⑫:  
**16 ft-lbs (22 N·m)**



4. Counter hold two nuts ⑨ and torque two fasteners ⑥ to specification.

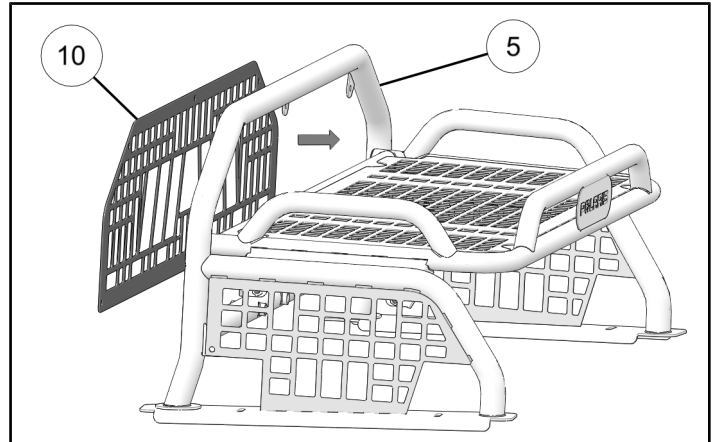
### TORQUE

Frame Bar Tab Fasteners ⑥:  
**84 in-lbs (9 N·m)**



### INSTALL REAR PANEL

1. Align rear panel ⑩ with frame bar ⑤.

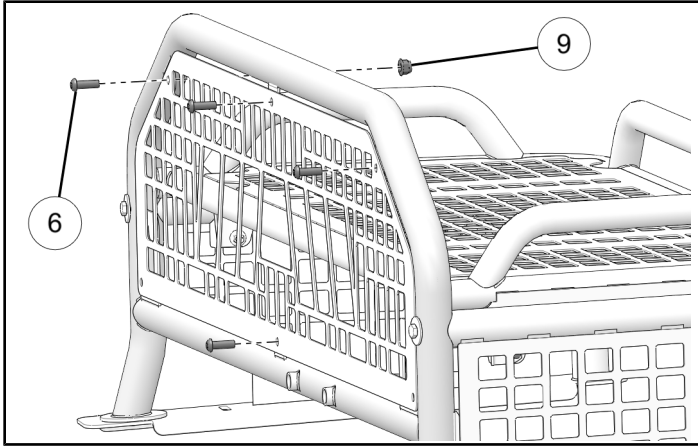


- Loosely install four fasteners ⑥ and four nuts ⑨.

**IMPORTANT**

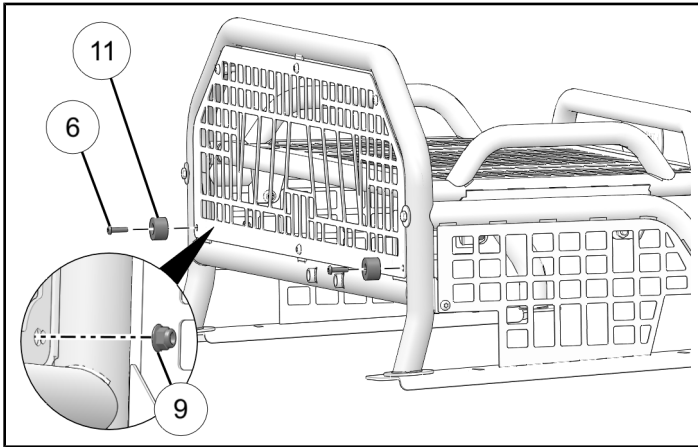
Make sure nuts are installed on rearward side of vehicle bed rack.

Do not torque fasteners at this time.



- Loosely install bumper ⑪ to rear panel and frame bar using two fasteners ⑥ and two nuts ⑨.

Do not torque fasteners at this time.

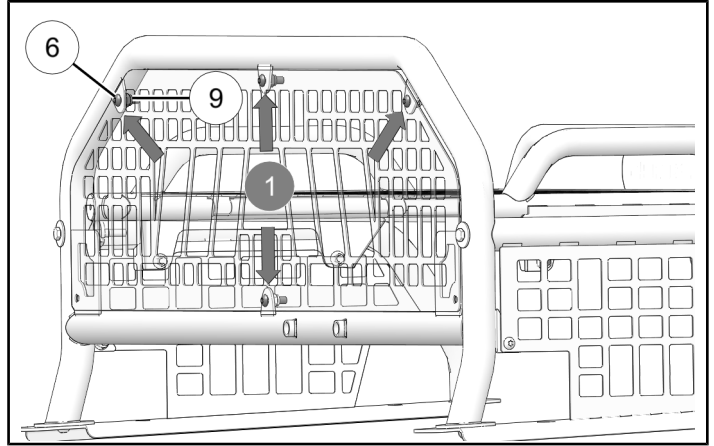


**TORQUE REAR PANEL FASTENERS**

- Counter hold four nuts ⑨ and torque four fasteners ⑥ to specification.

**TORQUE**

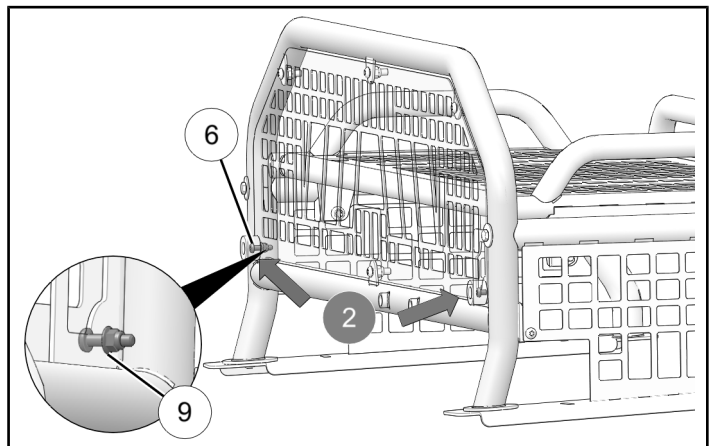
Rear Panel Fasteners ⑥:  
84 in-lbs (9 N·m)



- Counter-hold two nuts ⑨ and torque two fasteners ⑥ to specification.

**TORQUE**

Rear Bumper Fasteners ⑥:  
84 in-lbs (9 N·m)

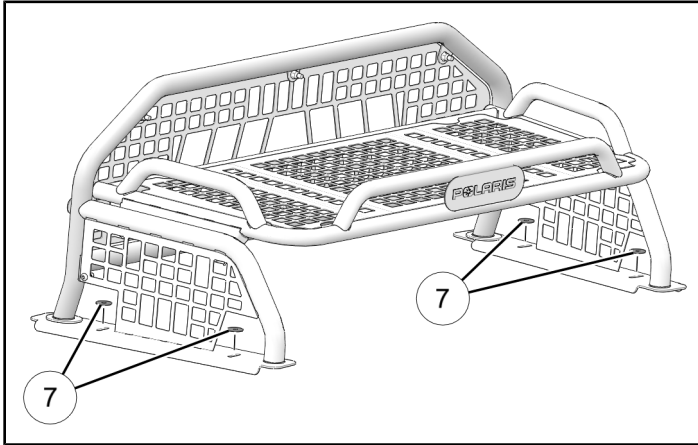


## INSTALL LOCK & RIDE® EXPANSION ANCHORS

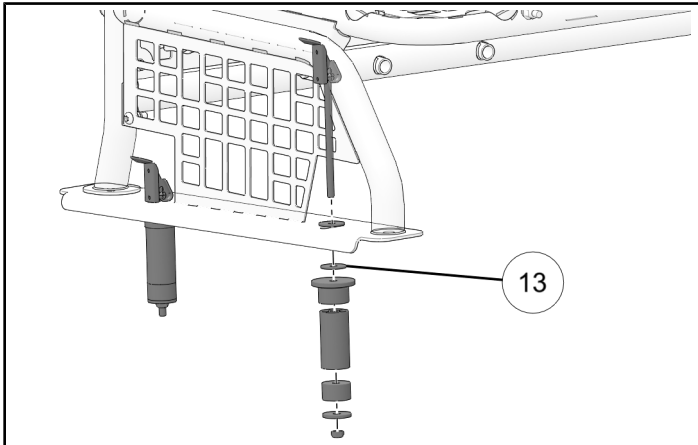
### IMPORTANT

Lock & Ride® expansion anchor installation will be different from instructions included with Lock & Ride® kit.

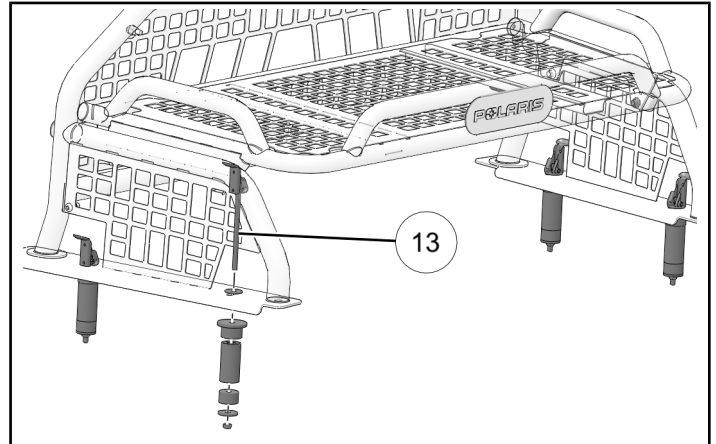
1. Install four steel washers ⑦ onto predrilled holes located on LH and RH side panels.



2. Install four Lock & Ride® nylon washers ⑬ to underside of LH and RH side panels.



3. Install four Lock & Ride® expansion anchors ⑬ to LH and RH side panels through four steel washers and four nylon washers.



## INSTALL BED RACK

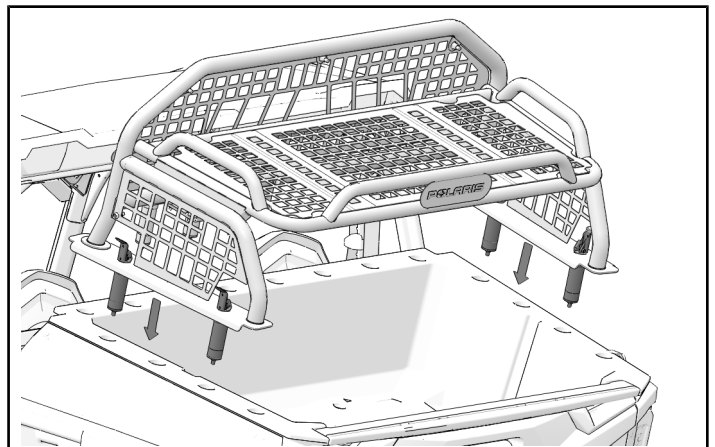
### CAUTION

It is recommended that two people install Bed Rack onto vehicle bed. Bed rack is large and may be difficult for one person to easily handle. Failure to have two people install bed rack onto vehicle could result in damage to vehicle and/or bed rack and possible personal injury.

1. Make sure all four Lock & Ride® expansion anchors ⑬ are unlocked.
2. Lift bed rack onto sides of cargo box.
3. Align Lock & Ride® expansion anchors on bed rack with holes on cargo box.

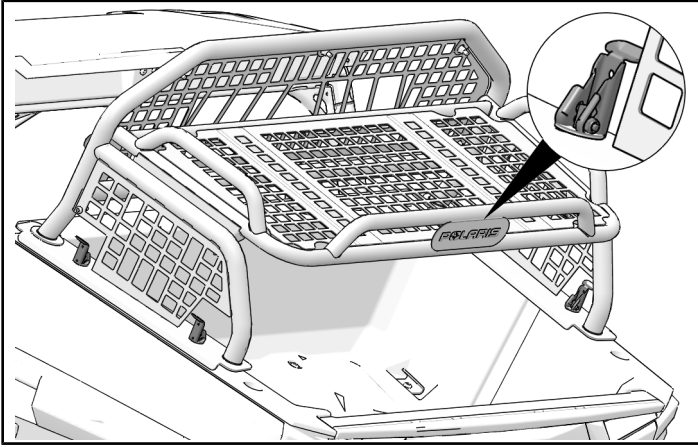
### NOTICE

Bed rack can be installed in other bed Lock & Ride® holes as needed.





4. Install bed rack onto cargo box until anchors are fully seated.



5. Lock each anchor to hold bed rack onto vehicle. Refer to instructions included with Lock & Ride® expansion anchors.

**CAUTION**

Weight limit of Bed Rack is 50 lbs/23 kg. To prevent damage to Bed Rack never exceed the standard weight limit of 50 lbs/23 kg.

6. Lower vehicle bed.

## INSTRUCTION FEEDBACK FORM

A feedback form has been created for the installer to provide any comments, questions or concerns about the installation instructions. The form is viewable on mobile devices by scanning the QR code or by clicking [HERE](#) if viewing on a PC.

