

FIXED GLASS WINDSHIELD KIT



P/N 2889064

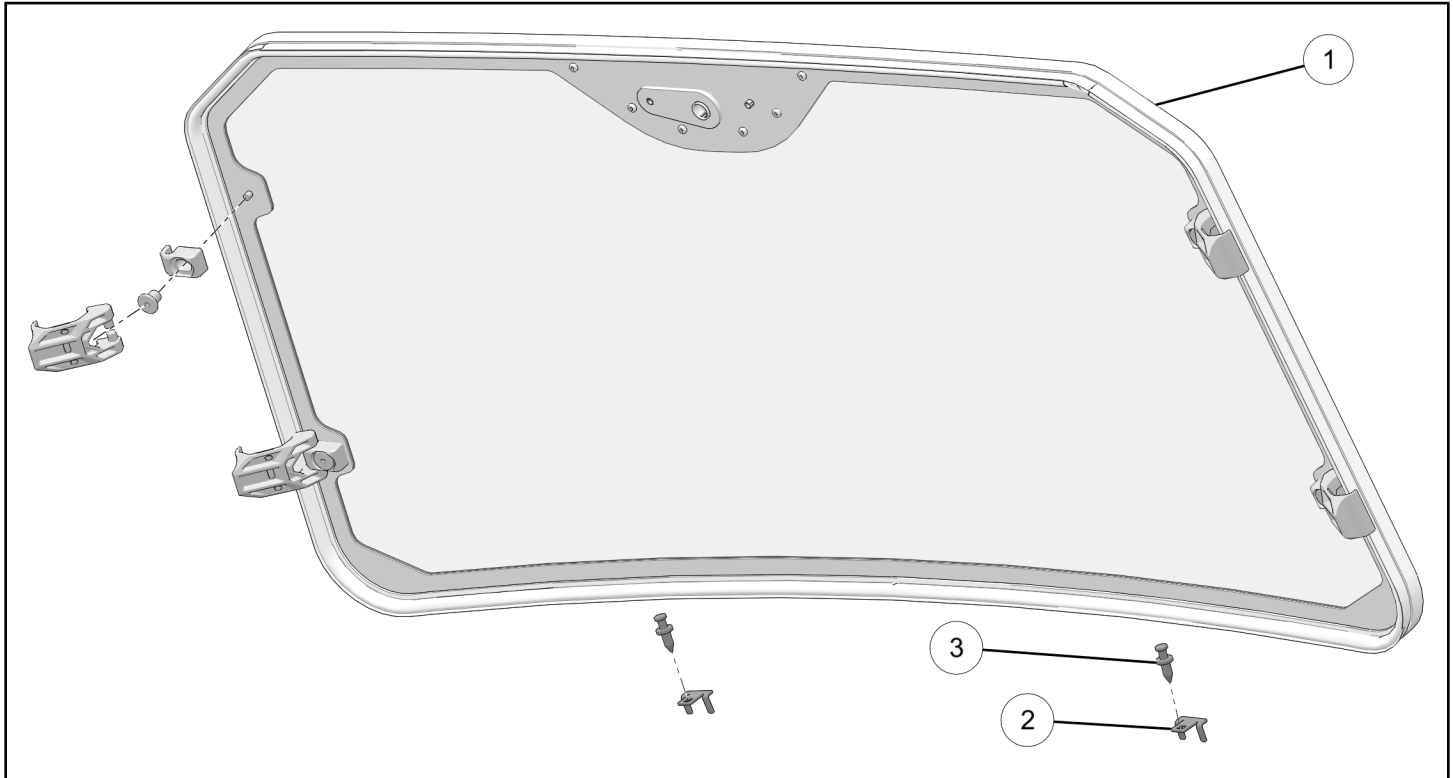
BEFORE YOU BEGIN

Read these instructions and check to be sure all parts and tools are accounted for. Please retain these installation instructions for future reference and parts ordering information.

APPLICATION

Verify accessory fitment at www.polaris.com.

KIT CONTENTS



FIXED GLASS WINDSHIELD P/N 2889064

REF	QTY	PART DESCRIPTION	P/N AVAILABLE SEPARATELY	AVAILABLE SERVICE KIT
1	1	Glass Windshield Assembly	2638276	n/a
1.1	4	-Lock & Ride® Base, Glass	n/a	2208838
1.2	4	-Lock & Ride® Clamp, Glass	n/a	2208838
1.3	1	-Panel, Trim Ring	n/a	2208839
2	2	Mount, Glass Support	2638276	n/a
3	2	Push Pin Rivet	2638276	n/a

TOOLS REQUIRED

- Safety Glasses
- Drill
- Drill Bit:
 - 5/16 (8mm)

IMPORTANT

Your Fixed Glass Windshield Kit is exclusively designed for your vehicle. Please read the installation instructions thoroughly before beginning. Installation is easier if the vehicle is clean and free of debris. For your safety, and to ensure a satisfactory installation, perform all installation steps correctly in the sequence shown.

INSTALLATION INSTRUCTIONS

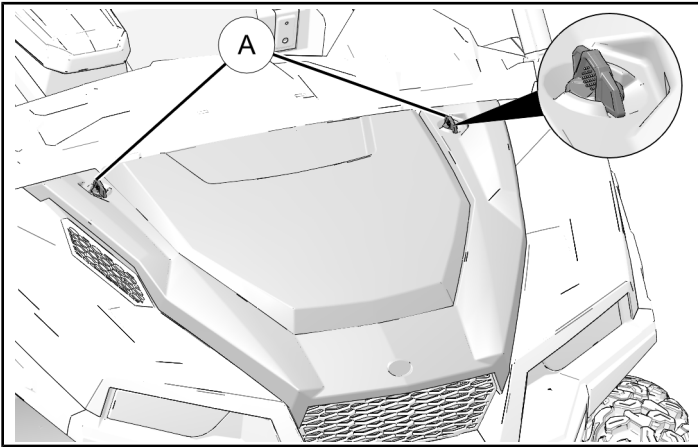
VEHICLE PREPARATION

GENERAL

1. Shift vehicle into **PARK**.
2. Turn ignition switch to **OFF** position and remove key.

HOOD REMOVAL

1. Rotate latches **(A)** 90° to release hood from vehicle.



2. Pull hood forward and up to remove from vehicle.
3. Set hood aside.

ACCESSORY INSTALLATION

NOTICE

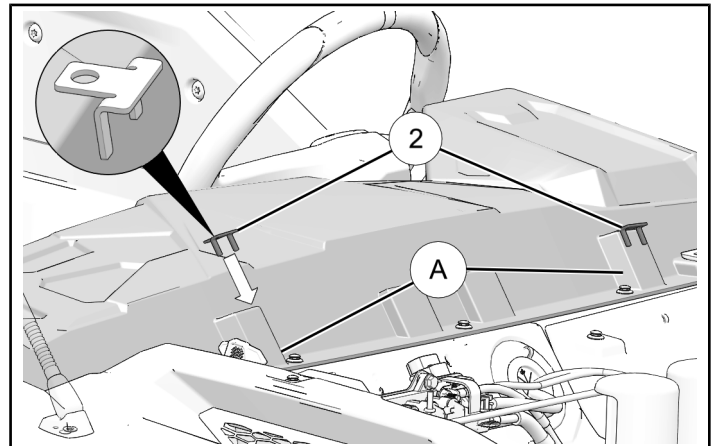
If necessary, remove existing windshield.

WINDSHIELD SUPPORT MOUNT INSTALLATION

1. Center windshield support mount **(2)** on upper dash tabs **(A)**.

NOTE

For proper support, align support mount with outer edges of upper dash tabs.

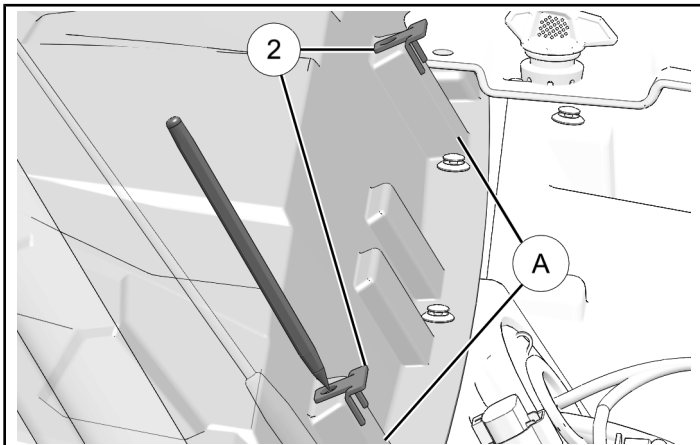


2. Use mount **(2)** as a template to mark holes on each upper dash tab **(A)**.

3. Mark holes with marking tool.

TIP

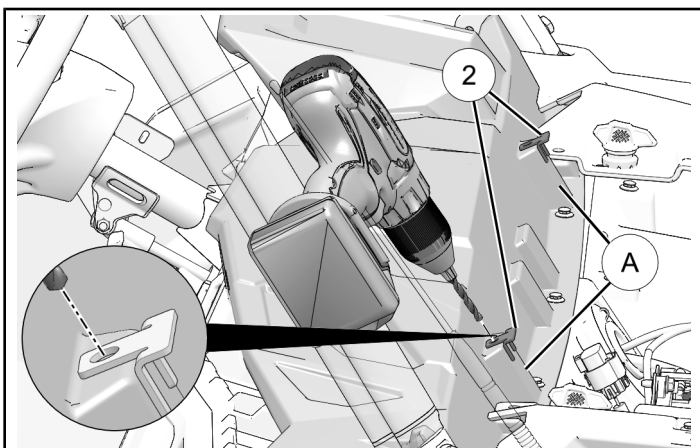
Mark hole with center punch to create a reference point for where to drill holes.



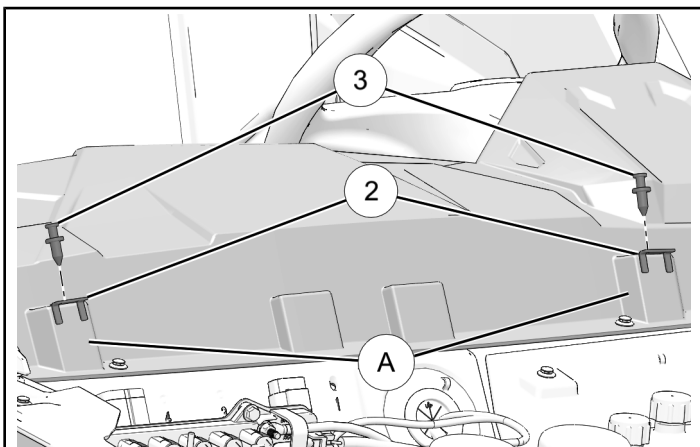
4. Drill hole through topside of each upper dash tab.

MEASUREMENT

Drill Bit Size:
5/16 in (8 mm)



5. Install two windshield support mounts (2) to upper dash tabs (A) using two push pin rivets (3).

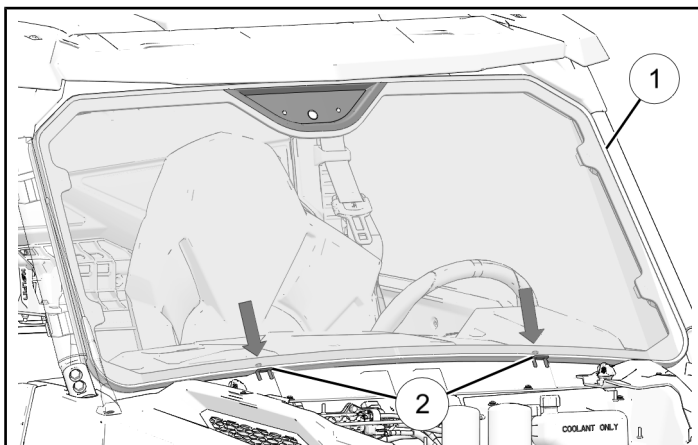
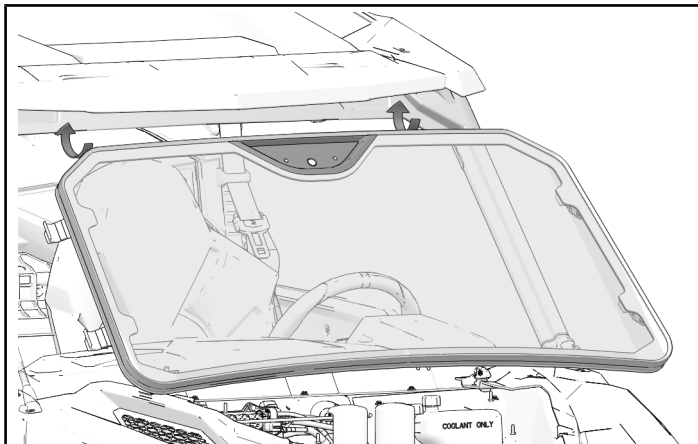


WINDSHIELD INSTALLATION

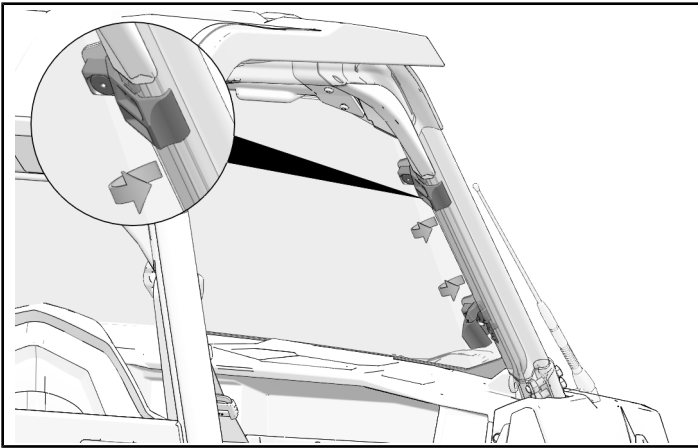
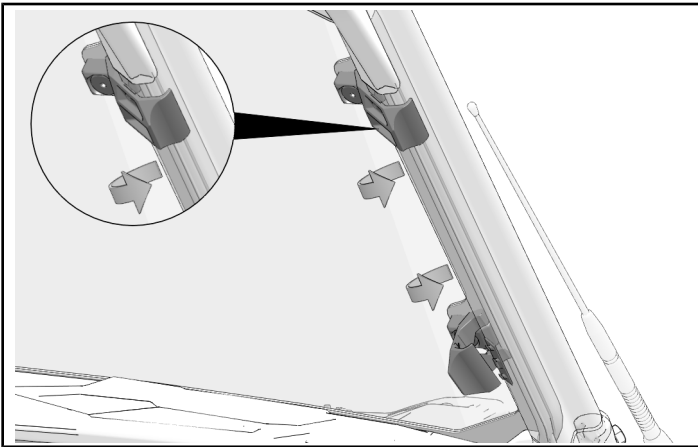
1. Make sure windshield clamps are open.
2. Carefully set windshield (1) on support mounts (2) and upper roll over protection system (ROPS) tabs.

IMPORTANT

Make sure windshield seal is not folded or pinched.



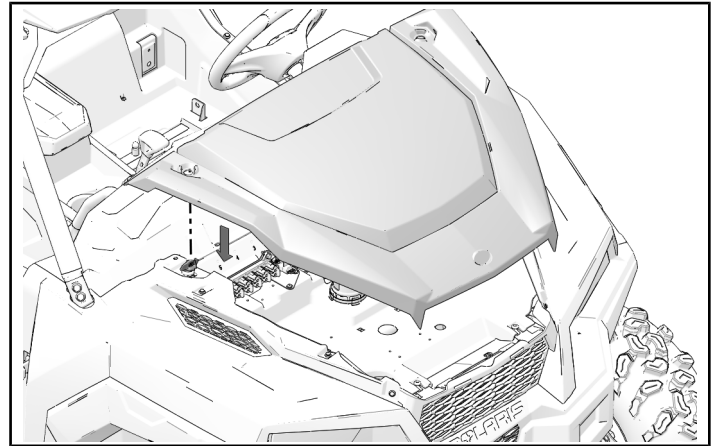
3. Push four windshield clamps to locked position on ROPS.



VEHICLE REASSEMBLY

HOOD INSTALLATION

1. Install hood on vehicle and align latches.



2. Rotate latches 90° to lock hood into place.

INSTRUCTION FEEDBACK FORM

A feedback form has been created for the installer to provide any comments, questions or concerns about the installation instructions. The form is viewable on mobile devices by scanning the QR code or by clicking [HERE](#) if viewing on a PC.

