

ACE AUDIO KIT

P/N 2879703



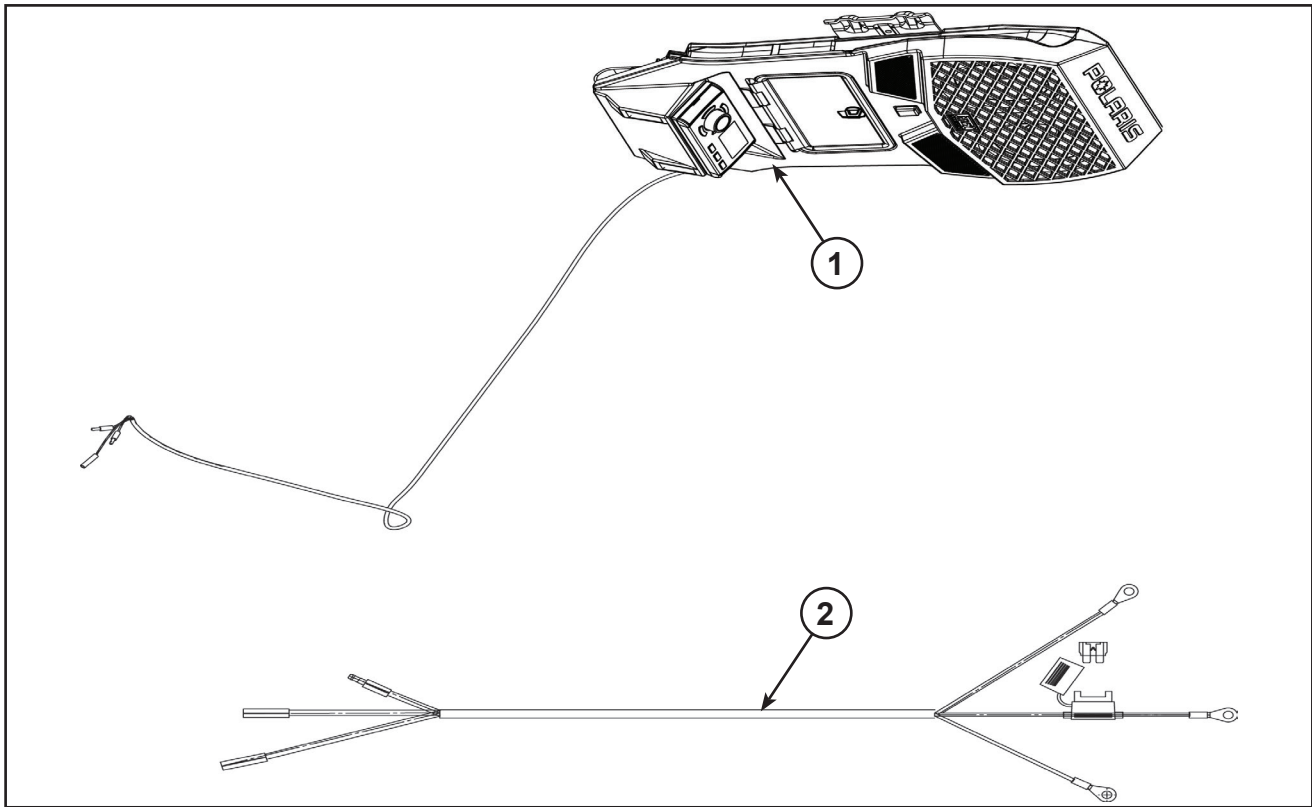
Application

SPORTSMAN ACE MODELS

Before you begin, read these instructions twice and check to be sure all parts and tools are accounted for. Please retain these installation instructions for future reference and parts ordering information.

IMPORTANT:

- Mirror kit (PN 2879712) will not work with the audio system.
- Roof, windshield, rear panels will work with audio system
- Refer to manual included with the audio kit for system operation.
- Two people are required to install this kit. Do not attempt to install this kit by yourself.
- Main system is controlled by keyed power, so when the vehicle is off the stereo is also. However, the LED lights are powered constantly, so remember to turn those off after using them.



Kit Contents:

<u>Ref</u>	<u>Qty</u>	<u>Part Description</u>	<u>Part Number</u>
1	1	ACE Audio Base System	2879703
2	1	Harness-Audio	2412730
	1	Instructions	9924924
		Service Hardware Kit	2205570

Tools Required:

T30 Torx Driver

10 mm Deep-Well Socket or Nut Driver

Side Cutter

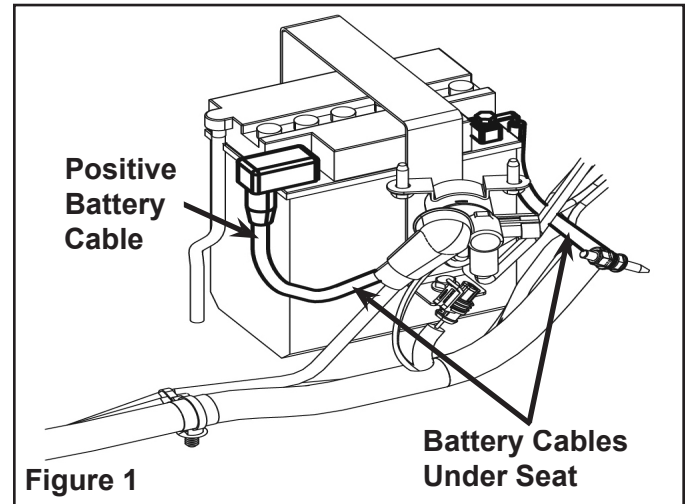
Phillips Screwdriver

APPROXIMATE ASSEMBLY TIME: 30 minutes

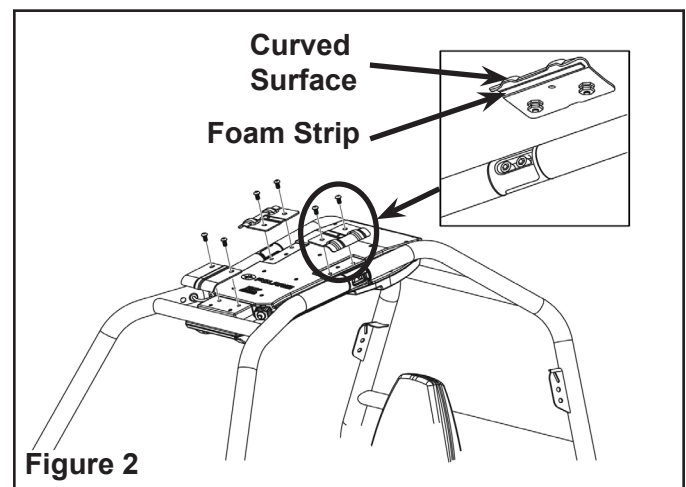
IMPORTANT: Your Polaris ACE AUDIO KIT is exclusively designed for your vehicle. Please read the installation instructions thoroughly before beginning. Installation is easier if the vehicle is clean and free of debris. For your safety, and to ensure a satisfactory installation, perform all installation steps correctly in the sequence shown. Before you begin, thoroughly review the instructions. Ensure that you have all the required tools and the skills necessary to complete this installation.

GENERAL INSTALLATION:

1. Place the vehicle in "PARK" and turn the key to "OFF" position. Remove the key from the vehicle.
2. Slide the seat forward and remove.
3. Disconnect positive battery cable from battery with Phillips screwdriver. Figure 1.
4. Remove front rack and center cover underneath it.
5. Remove roof, rear panel, and mirror if installed. Roof and rear panel can be reinstalled later, but the mirror will not fit with the audio system installed.

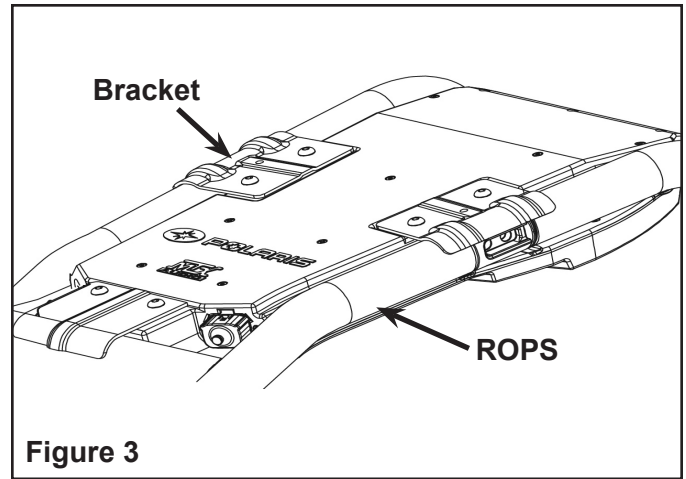


6. Place one foam strip on the inside curved surface of each of the stamped mounting brackets. Figure 2.

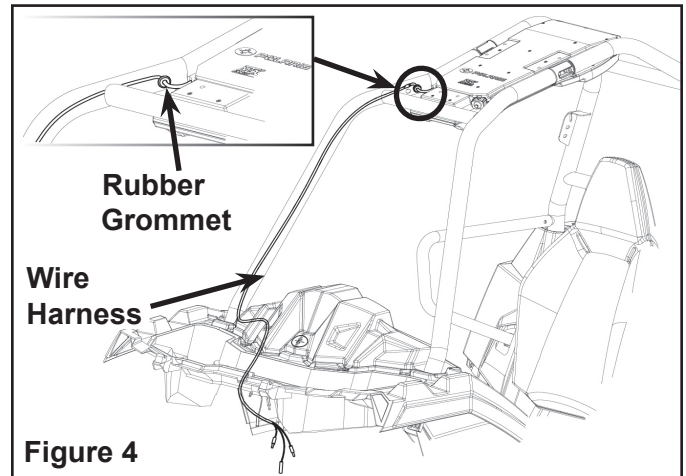


7. Have a second person hold the audio system in place while the brackets are installed from the top using the six screws removed previously. Figure 3.

NOTE: Torque the screws to 6 ft. lbs. (8.1 Nm).

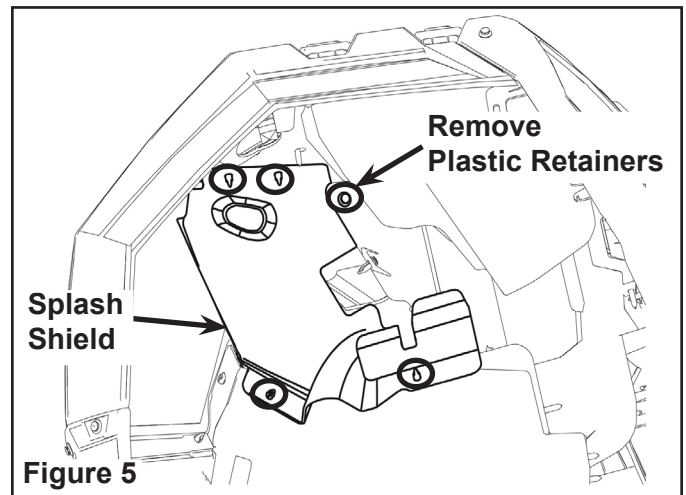


8. Route the wire harness into the hole and down inside the right side ROPS tube then out the hole at the bottom of the tube. Figure 4.

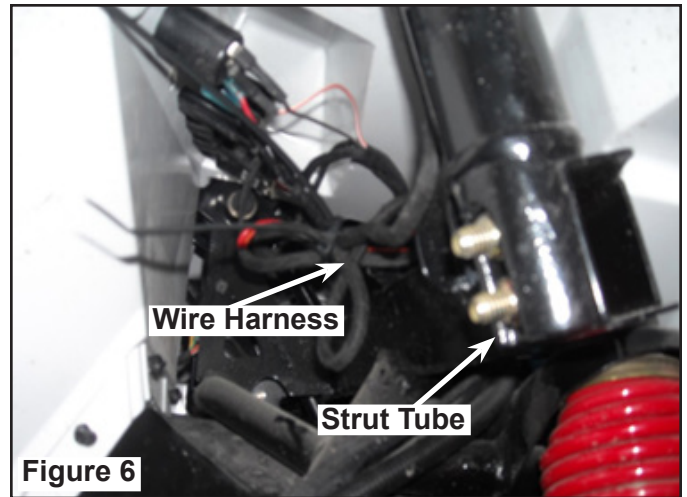


ELECTRICAL CONNECTIONS:

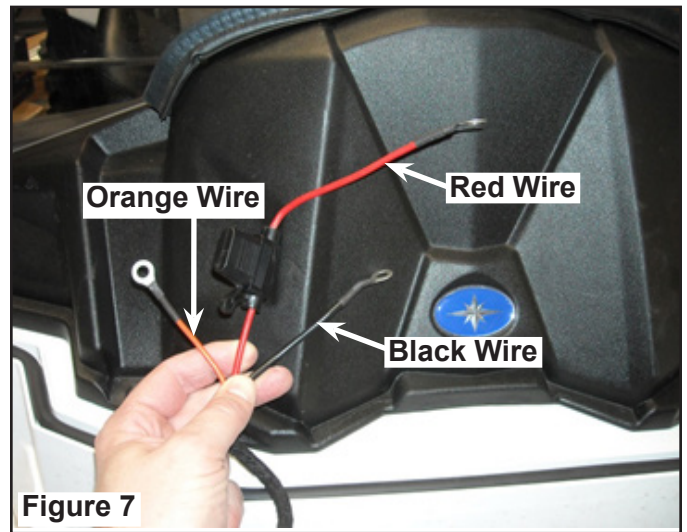
9. Remove five plastic retainers and splash shield from inside upper right front fender. Figure 5.



10. Connect wire harness from audio system to harness extension. Route harness over main strut tube and into bus bar area. Figure 6.



11. Connect red (main power) wire to battery power terminal on bus bar. Connect black (ground) and orange (keyed power) wires to corresponding posts on bus bar. Figure 7.
12. Bundle up any extra wire and secure wire harness under main body panel (shown on previous page).



13. Reconnect battery and check for function.
14. Reinstall fender splash panel, center cover, front rack, roof, and rear panel in reverse order.
15. Reinstall seat, making sure it is installed correctly.

SERVICE KIT:

