

# FRONT BUMPER KIT



**P/N 2881148**

## APPLICATION

ACE Models

## BEFORE YOU BEGIN

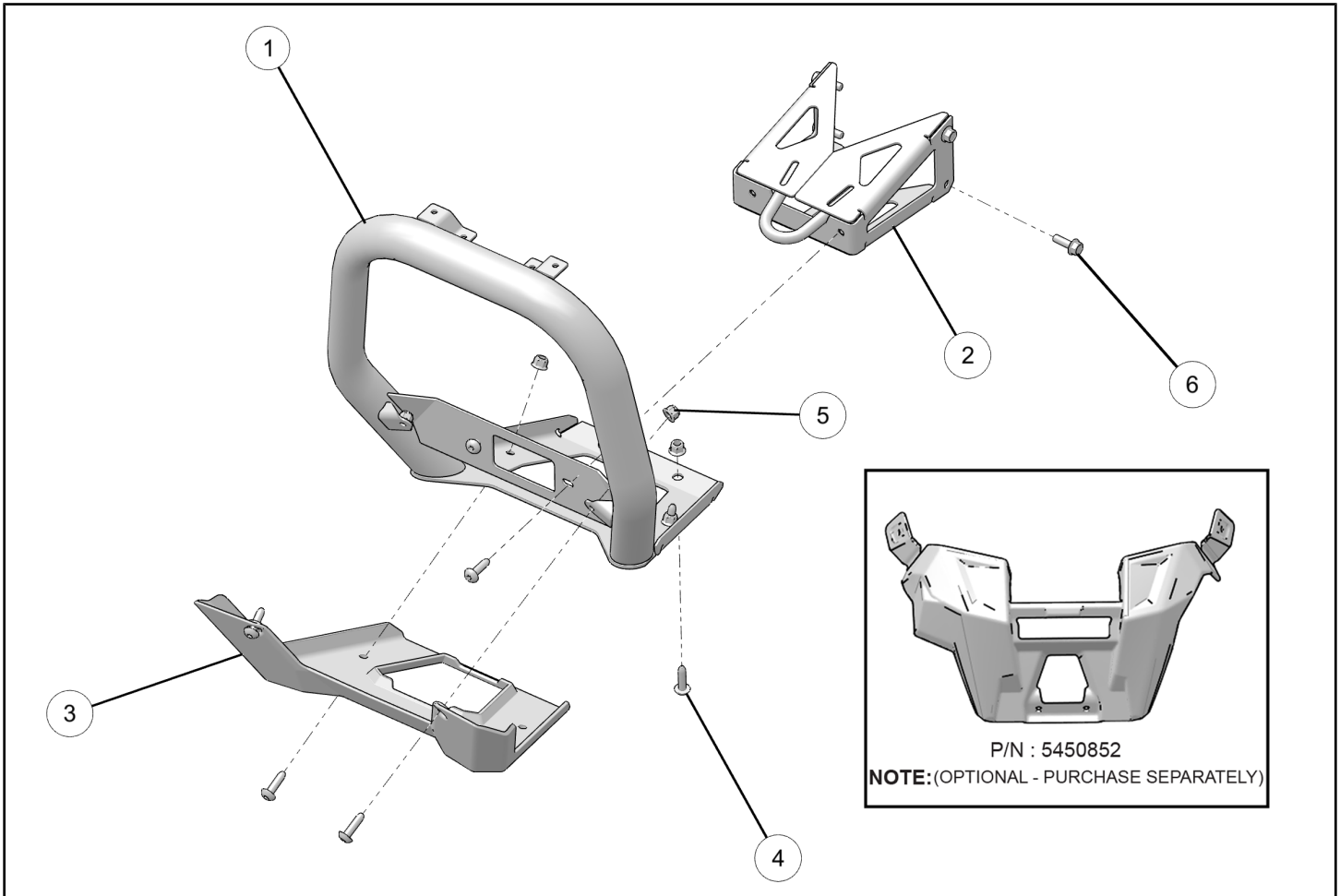
Read these instructions and check to be sure all parts and tools are accounted for. Please retain these installation instructions for future reference and parts ordering information.

### NOTE

If you have winch to install, install it before the bumper installation.  
If you are installing the plow mount, install it after the bumper installation.

## KIT CONTENTS

This kit includes:



REF	QTY	PART DESCRIPTION	PART NUMBER
1	1	Front Bumper Weldment	-
2	1	Center Bumper Weldment Bracket	-

REF	QTY	PART DESCRIPTION	PART NUMBER
3	1	Front Skid Plate, PA66+20GF	5452466
4*	8	Screw-M8 X 1.25 X 25, TFTX	7520121
5*	6	Nut-M8 X 1.25	7547332
6*	4	Screw-M8 X 1.25 X 25, HXFL	7519739
	1	Instructions	9926262

Items marked (\*) are included in Hardware Kit PN 2206039.

## TOOLS REQUIRED

- 13 mm Socket/Wrench

- T-30 Torx

## ASSEMBLY TIME

Approximately 20 minutes

## IMPORTANT

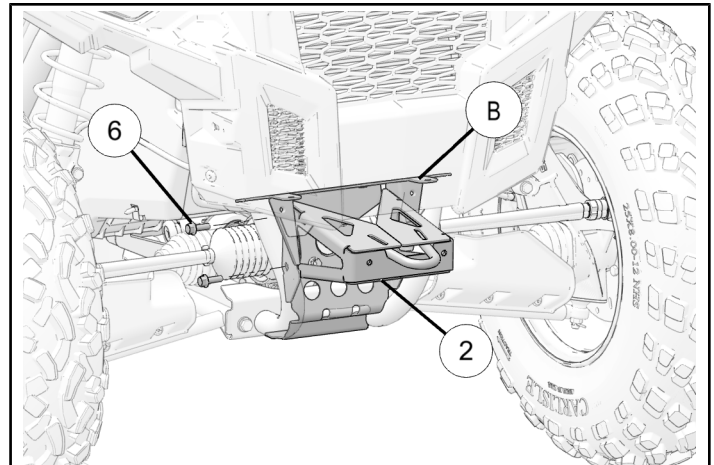
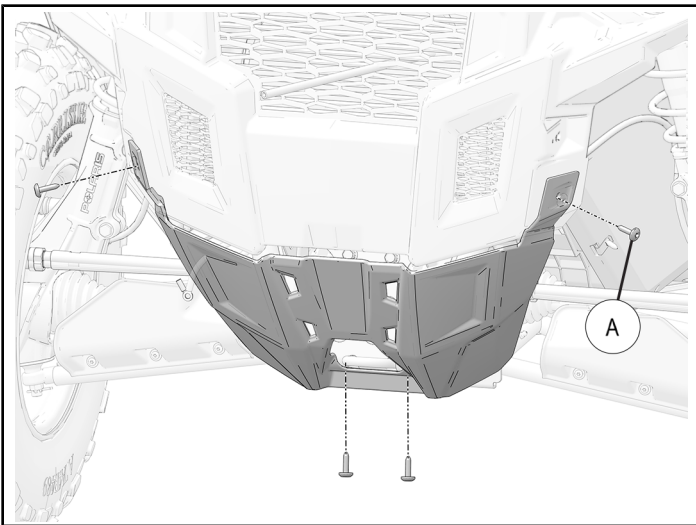
Your FRONT BUMPER KIT is exclusively designed for your vehicle. Please read the installation instructions thoroughly before beginning. Installation is easier if the vehicle is clean and free of debris. For your safety, and to ensure a satisfactory installation, perform all installation steps correctly in the sequence shown.

## INSTALLATION INSTRUCTIONS

1. Put the vehicle transmission into "PARK" and turn the key to the "OFF" position. Remove the key from the vehicle.
2. Remove the lower fascia by removing four screws (A) as shown. Save screws for reinstallation with winch cover (P/N 5450852) if you have purchased it separately.
3. If you are not installing a winch, assemble the bracket (2) onto the steering rack mount (B) using four M8 screws (6). Finger tighten the fasteners at this stage. Orient the bracket with hook at the top as shown in figure.

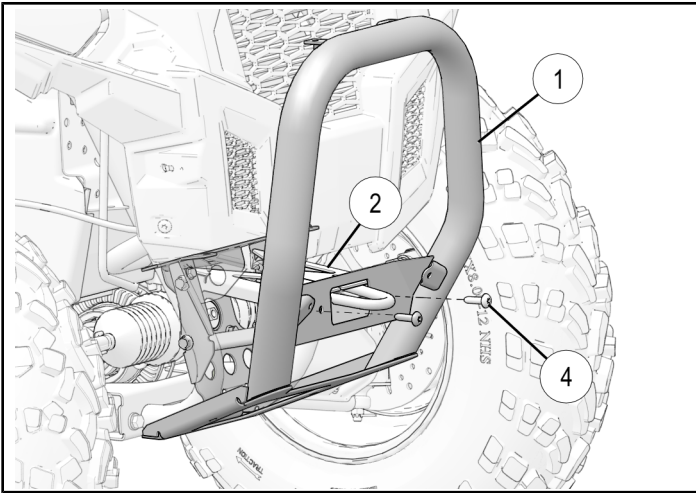
### NOTE

If you have winch to install, please install it now.

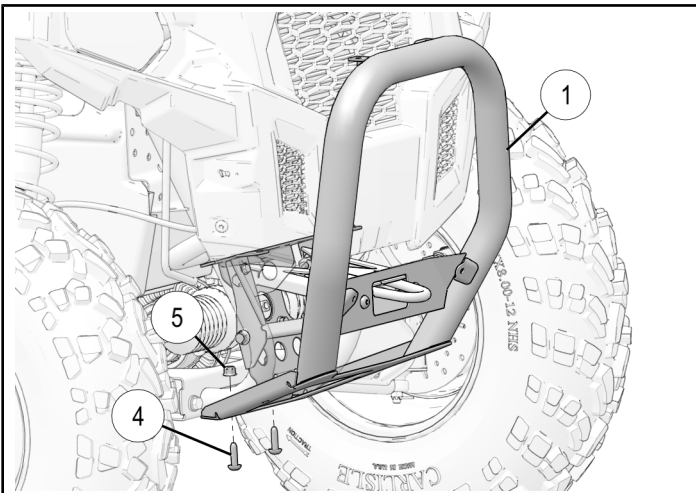


4. Have an assistant hold the bumper weldment ① while you install two M8 screws ④ as shown. Do not tighten the fasteners at this stage.

If you installed a winch, remove the nuts holding the fairlead in place and reinstall the nuts after positioning the bracket over the fairlead bolts.



5. Install two M8 screws ④ through the bottom of the front bumper weldment ① and through the steering rack mount into two M8 nuts ⑤.



6. Tighten the screws ④ holding bumper weldment ① onto the bracket ② and steering rack mount at this stage.

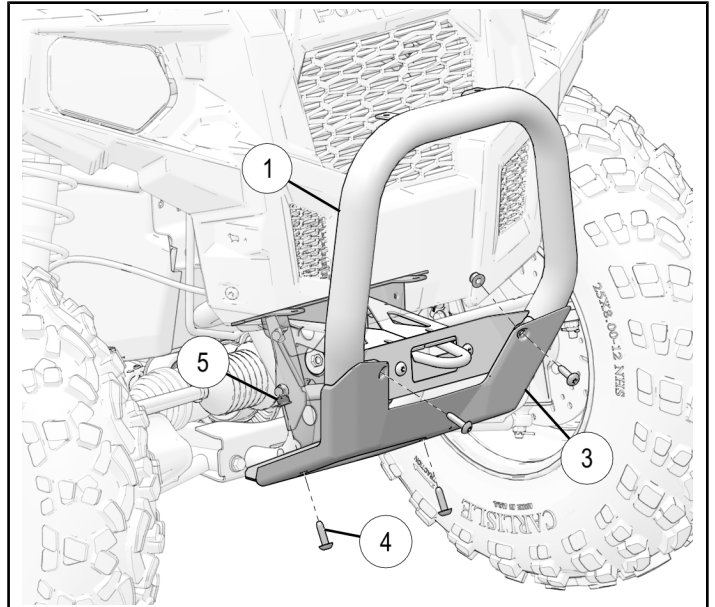
### TORQUE

12 ft. lbs. (16.23 Nm)

7. Install the front skid plate ③ onto the front bumper weldment ① using four M8 screws ④ and M8 nuts ⑤.

### TORQUE

6 ft. lbs. (8.13 Nm)



## COMPATIBILITY

This front bumper kit is compatible with the following accessories.

1. Winch Kit (PN 2879708 and PN 2879709).
2. Plow Mount Kit (PN 2879634).
3. Light Bar (3 LED) 7" (Top or Bottom) Kit (PN 2880624).
4. Light Bar (6 LED) 13" (Top only) Kit (PN 2880530).