

FRONT BUMPER KIT



P/N 2879698, 2882504

APPLICATION

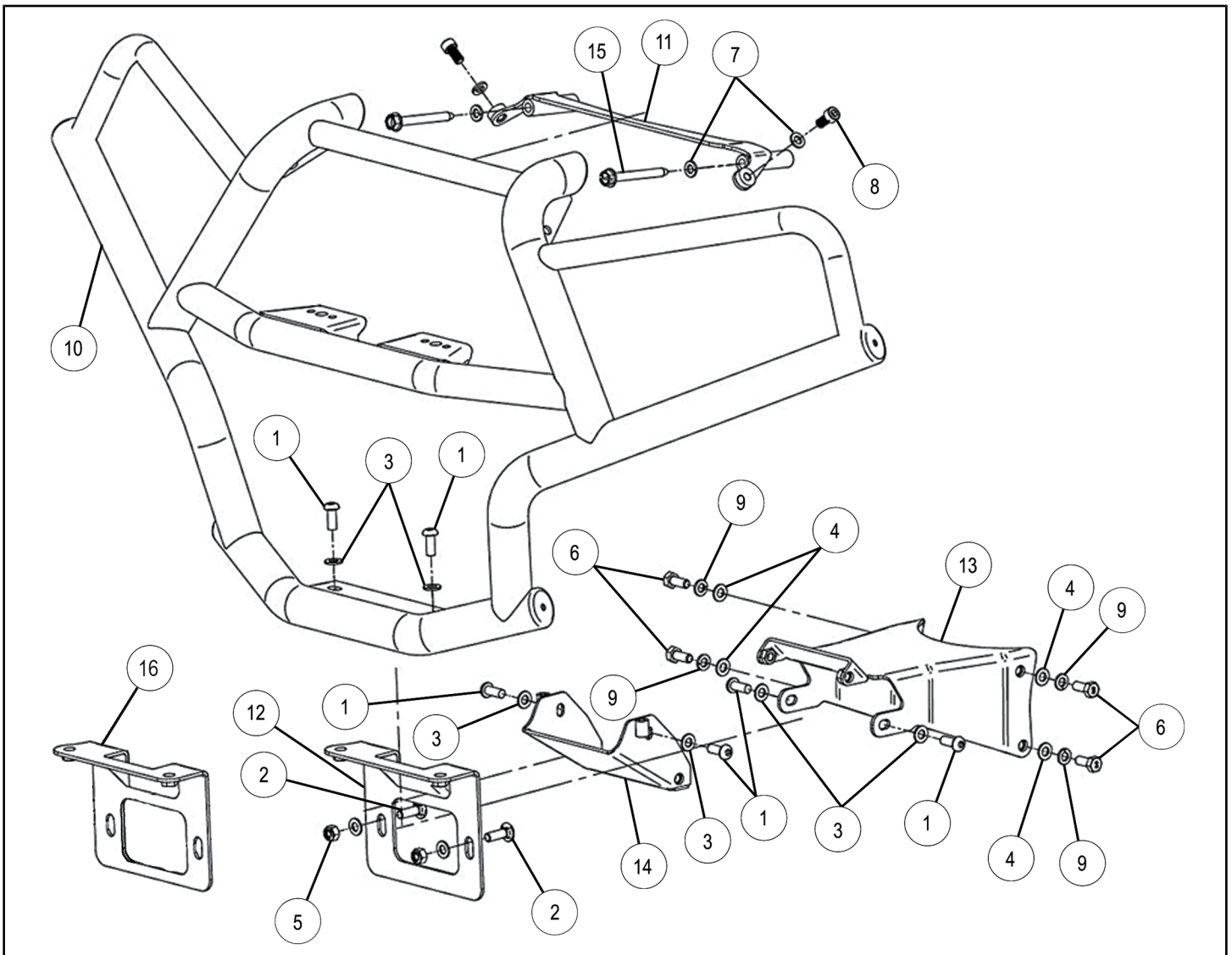
Sportsman Ace

BEFORE YOU BEGIN

Read these instructions and check to be sure all parts and tools are accounted for. Please retain these installation instructions for future reference and parts ordering information.

KIT CONTENTS

This Kit includes:



REF	QTY	PART DESCRIPTION	PART NUMBER
1*	6	Button Head Socket Cap Screw, M8-1.25 x 20 mm	-
2*	2	Carriage Bolt, M8-1.25 x 25 mm	-
3*	8	Flat Washer, M8, Black	-

REF	QTY	PART DESCRIPTION	PART NUMBER
4*	4	Flat Washer, M8	–
5*	2	Hexagonal Nylon Nut, M8-1.25	–
6*	4	Hexagonal Bolt, M8-1.25 x 20 mm	–
7*	4	Lock Washer, M8	–
8*	2	Socket Head Cap Screw, M8-1.25 x 16 mm	–
9*	4	Spring Lock Washer, M8	–
10	1	Welded Front Bumper	–
11	1	Mounting Bracket	–
12	1	Winch Adapter Bracket	–
13	1	Frame Bracket	–
14	1	Winch Bumper Bracket	–
15*	2	Self-Tapping Bolt	–
16	1	Winch Adapter Bracket	–
	1	Instructions	9924920

Items marked (*) are included in Hardware Kit PN 2205232.

TOOLS REQUIRED

- Safety Glasses
- Metric Socket or Wrench Set
- Phillips Screwdriver
- 5 mm and 6 mm Allen Sockets or Wrenches
- T40 Torx® Socket

IMPORTANT

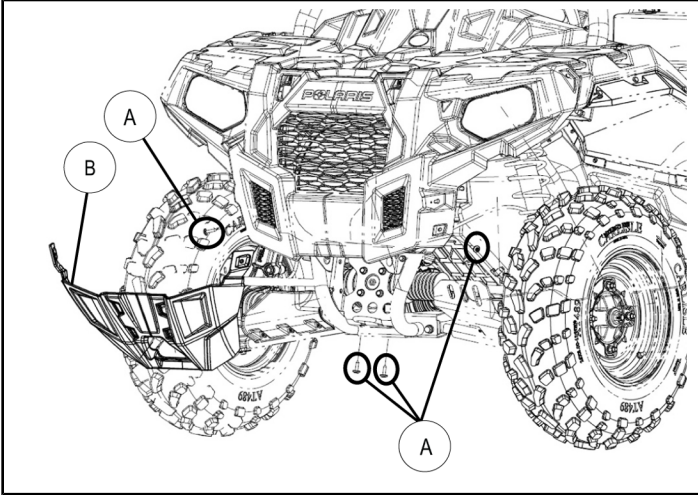
Your FRONT BUMPER KIT is exclusively designed for your vehicle. Please read the installation instructions thoroughly before beginning. Installation is easier if the vehicle is clean and free of debris. For your safety, and to ensure a satisfactory installation, perform all installation steps correctly in the sequence shown.

ASSEMBLY TIME

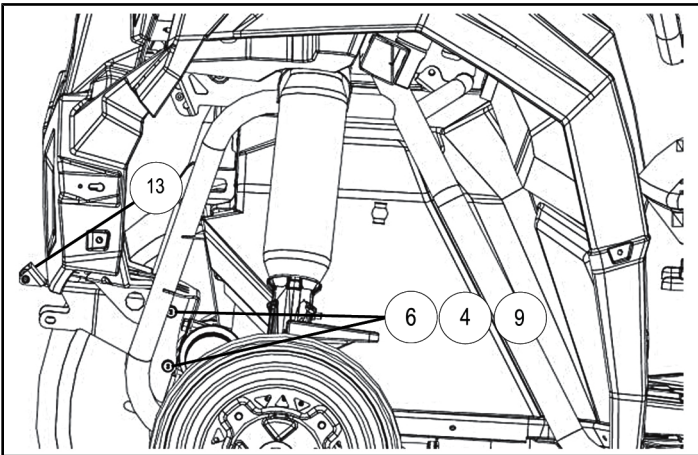
Approximately 60 minutes

INSTALLATION INSTRUCTIONS WITHOUT WINCH

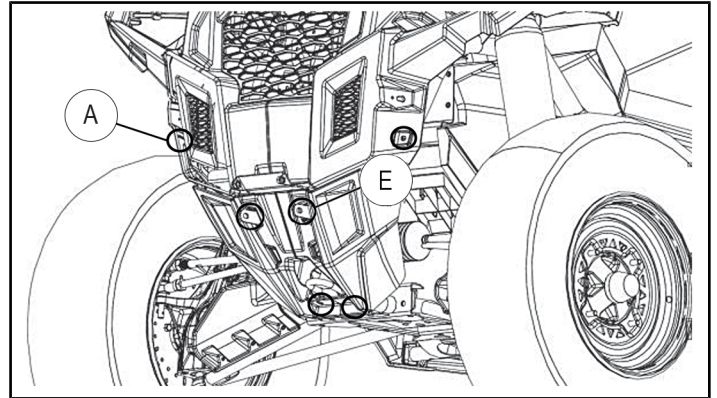
1. Place vehicle in "PARK". Turn key to "OFF" position and remove from vehicle.
2. Remove lower plastic fascia (B) by removing four screws (A) as shown. Retain screws for reuse during installation.



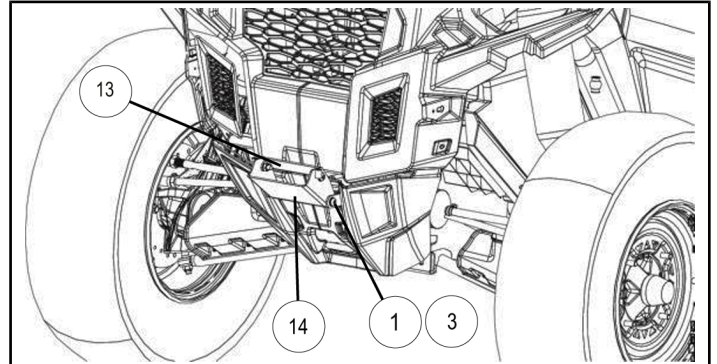
3. Install frame bracket (13) onto chassis bracket by aligning holes and fasten using four hex bolts (6), flat washers (4), and lock washers (9) as shown. Don't tighten fasteners at this time.



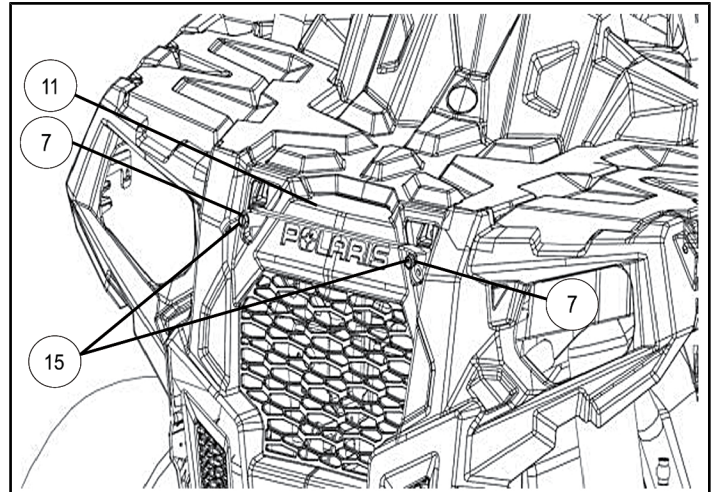
4. Reinstall lower plastic fascia on vehicle by aligning mounting holes and inserting frame bracket front tabs (E) through cutouts on lower fascia. Use four fasteners (A) removed in Step 2 for lower plastic fascia installation.



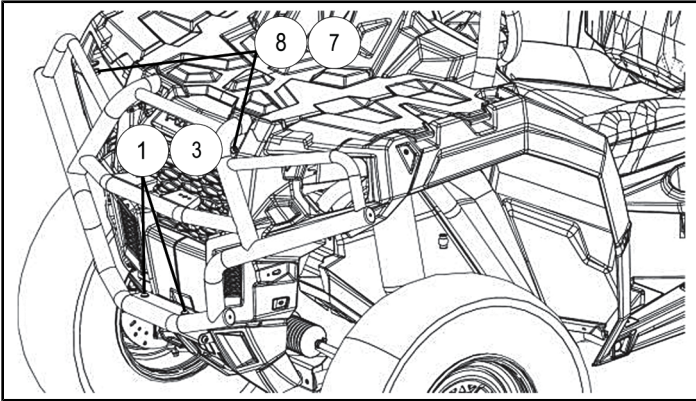
5. Install bumper bracket (14) onto frame bracket (13) using four button head socket cap screws (1) and four flat washers (3). Don't tighten fasteners at this time.



6. Install mounting bracket (11) to vehicle using two self-tapping bolts (15) and two lock washers (7) provided in the kit. Don't tighten fasteners at this time.



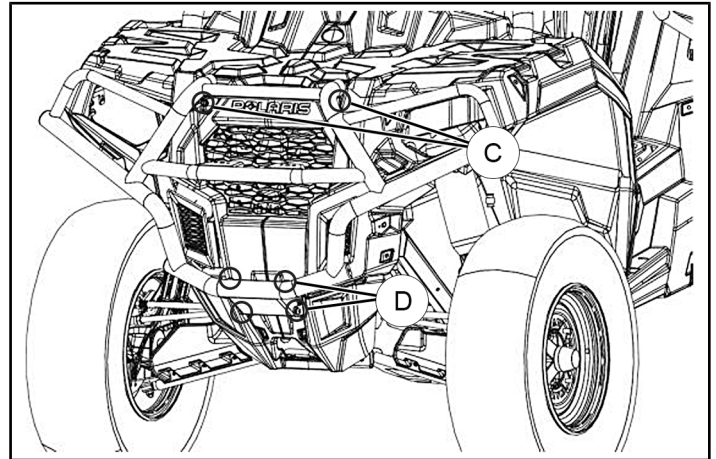
7. Align and install upper part of the bumper onto mounting bracket ⑪ using two socket head cap screws ⑧ and two lock washers ⑦. Align and install lower part of the bumper onto bumper bracket ⑭ using two button head socket cap screws ① and two flat washers ③. Don't tighten fasteners at this time.



8. Once all fasteners are partially installed, tighten all fasteners until they are snug.

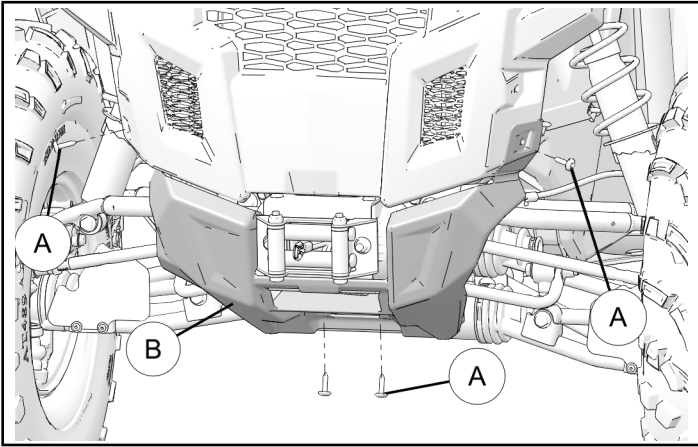
Tighten fasteners starting at the top of the bumper and moving downward.

REF	DESCRIPTION
C	Tighten fasteners first
D	Tighten fasteners last

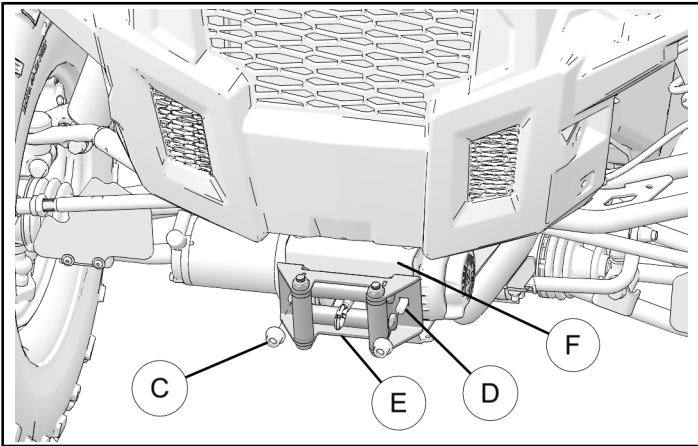


WITH WINCH

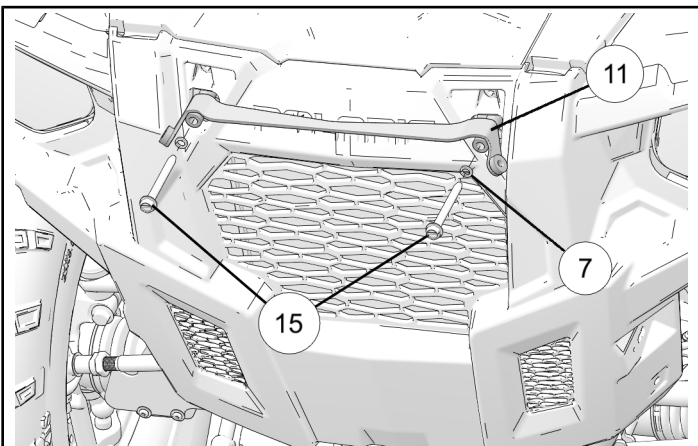
1. Remove lower plastic fascia (B) by removing four screws (A) as shown. Retain screws for reuse during installation. Remove winch hook from winch rope by removing cotter pin and clevis pin.



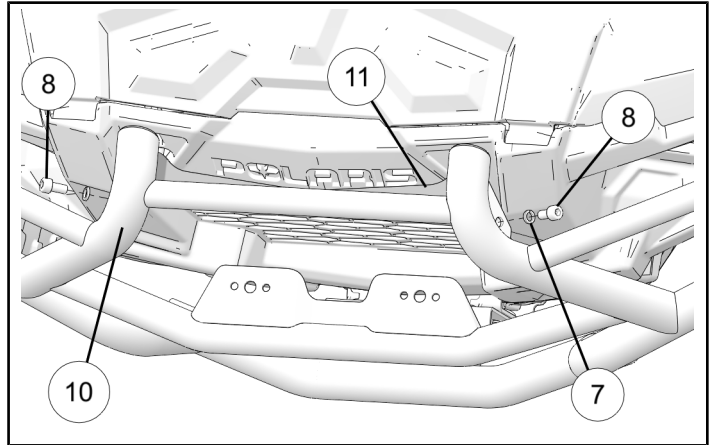
2. Remove two nuts (C) from screws (D) holding winch fairlead (E) onto winch mounting bracket (F). Remove winch fairlead from vehicle. Discard the nuts (C).



3. Install mounting bracket (11) onto vehicle using two self-tapping bolts (15) and lock washers (7) provided in the kit. Don't tighten fasteners at this time.



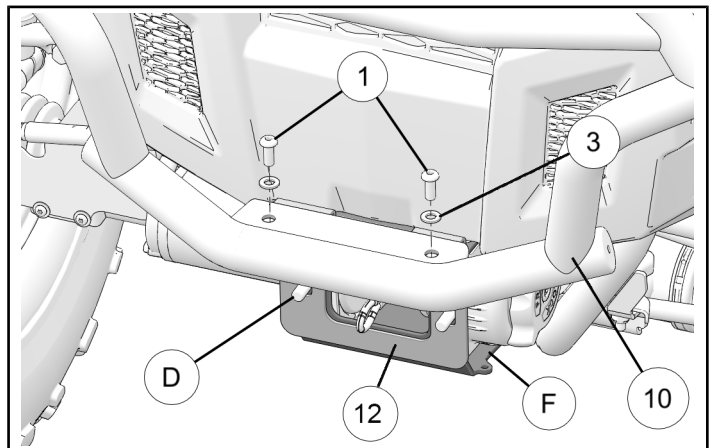
4. Align and install upper part of the bumper weldment (10) onto mounting bracket (11) using two socket head cap screws (8) and two lock washers (7). Don't tighten fasteners at this time.



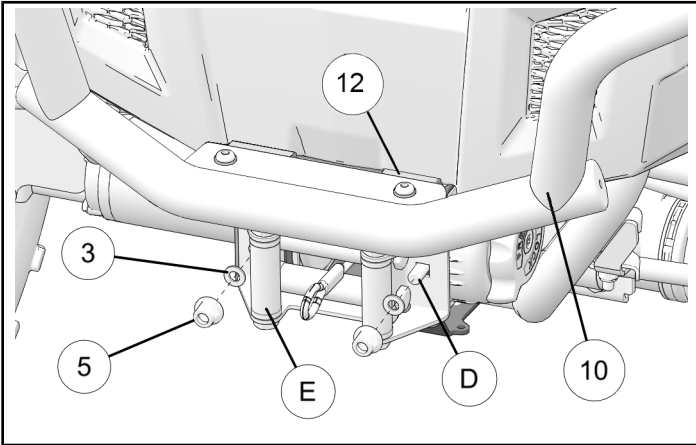
5. Align mounting holes on lower part of bumper weldment (10) with top holes on winch adapter bracket (12) and install two screws (1) and washers (3). Don't tighten fasteners at this time. Install winch adapter bracket (12) to winch mounting bracket (F) by inserting through two screws (D) as shown.

NOTE

If holes on lower part of bumper weldment are not properly aligning with top holes on winch adapter bracket (12), use other winch adapter bracket (16) provided in the kit.

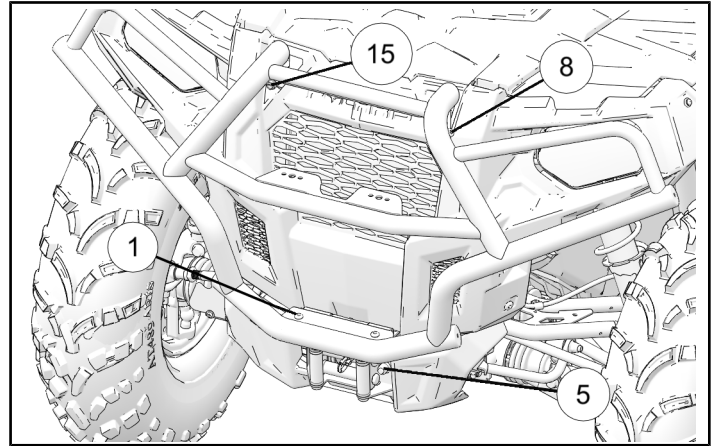


6. Run winch cable through the fairlead (E) and install fairlead onto screws (D) at the front sandwiching winch adapter bracket (12) as shown. Install washers (3) and nuts (5) to secure fairlead in place. Don't tighten fasteners at this time.



7. Reinstall lower plastic fascia (B) using four screws (A).

8. Once all bumper fasteners are partially installed, tighten all fasteners until they are snug. Tighten fasteners starting at the top of the bumper (15) (8) and moving downward (1) (5).



9. Reinstall winch hook on winch rope using cotter and clevis pin.