

REAR BRUSH GUARD KIT



P/N 2882924

APPLICATION

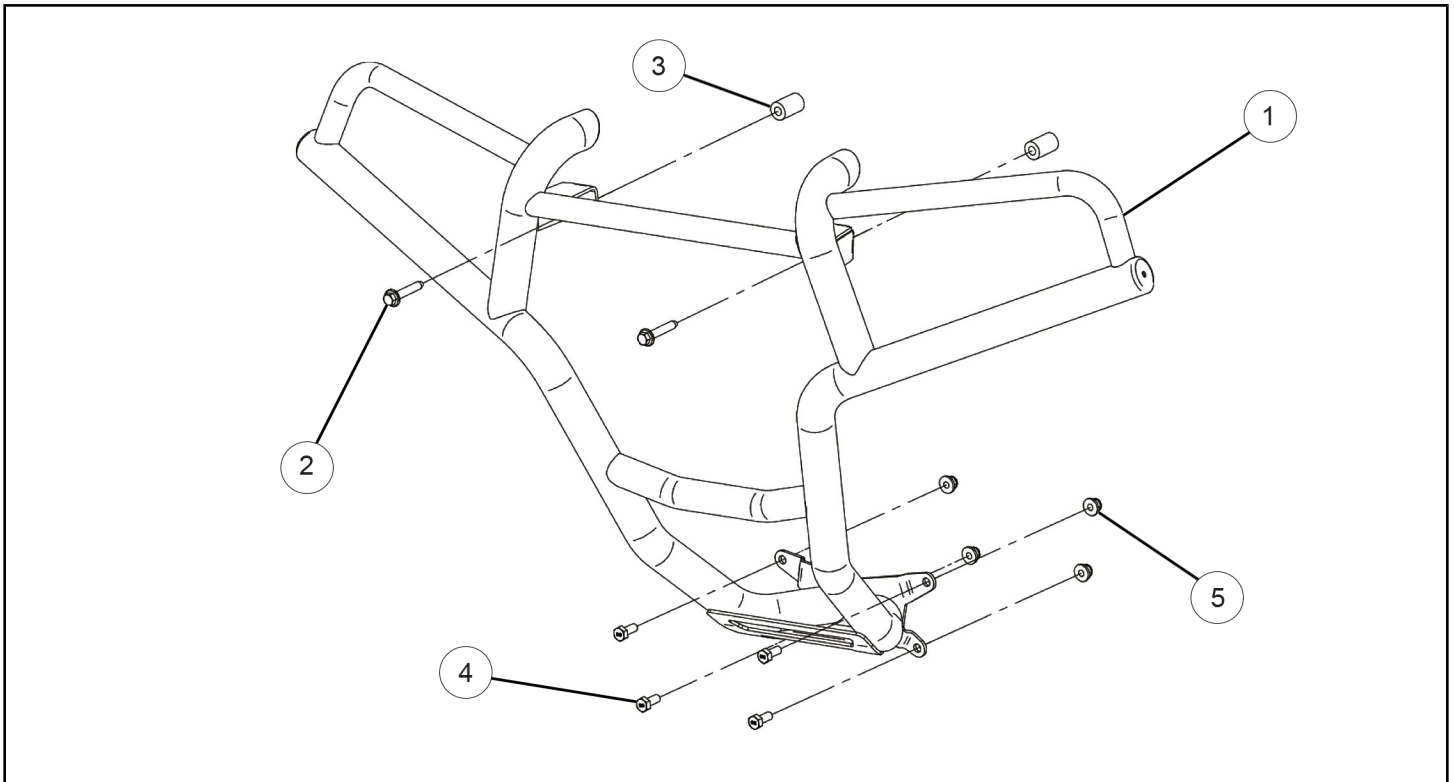
Verify accessory fitment at Polaris.com.

BEFORE YOU BEGIN

Read these instructions and check to be sure all parts and tools are accounted for. Please retain these installation instructions for future reference and parts ordering information.

KIT CONTENTS

This Kit includes:



REF	QTY	PART DESCRIPTION	PART NUMBER
1	1	Rear Brush Guard	-
2*	2	Self-Tapping Screw, M8 x 45mm	-
3*	2	Spacer	-
4*	4	Screw, M8 x 20mm	-
5*	4	Self-Locking Flange Nut, M8	-
	1	Instructions	9928208

Items marked (*) are included in Hardware Kit PN 2205233.

TOOLS REQUIRED

- Safety Glasses
- 12mm Wrench or Socket
- 13mm Wrench or Socket
- Ratchet with Extension

IMPORTANT

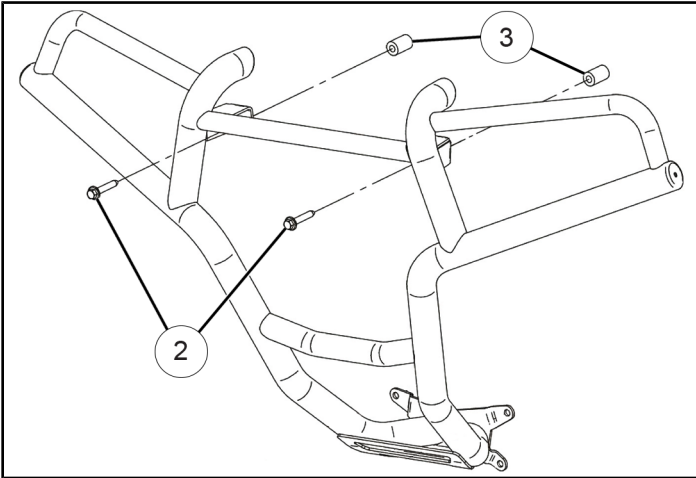
Your REAR BRUSH GUARD KIT is exclusively designed for your vehicle. Please read the installation instructions thoroughly before beginning. Installation is easier if the vehicle is clean and free of debris. For your safety, and to ensure a satisfactory installation, perform all installation steps correctly in the sequence shown.

ASSEMBLY TIME

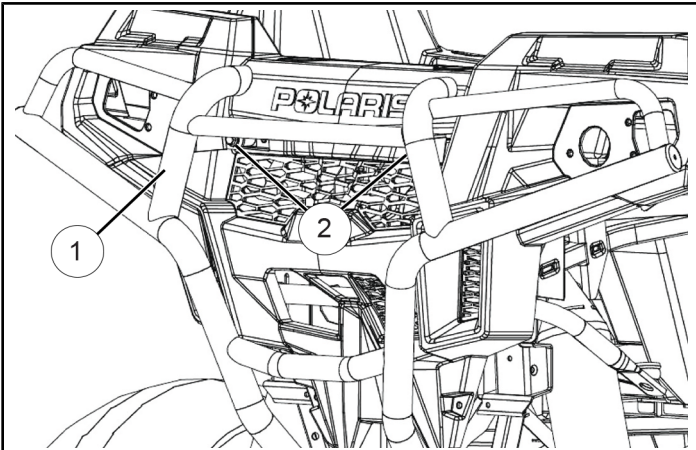
Approximately 20 minutes

INSTALLATION INSTRUCTIONS

1. Shift vehicle transmission into "PARK". Turn key to "OFF" position and remove from vehicle.
2. Insert two screws ② into the brushguard upper mounting bracket holes and slide the spacers ③ onto the screws.



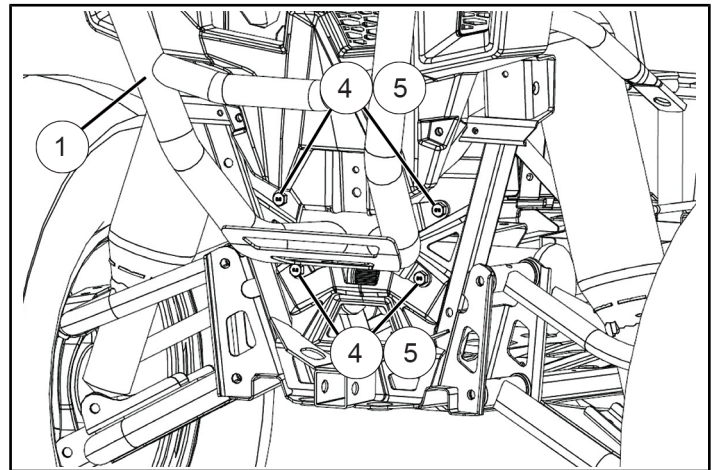
3. Align and install upper portion of rear brushguard assembly ① to the vehicle by installing screws ② as shown. Install screws well enough to hold the brushguard in place. Tighten the screws until snug.



4. Align brushguard lower mounting bracket holes with holes on welded hitch assembly and install four screws ④ and nuts ⑤. Tighten screws to specifications.

TORQUE

16 ft. lbs. (21.7 Nm)



5. Final rear brush guard installation is as shown.

IMPORTANT

Check all brushguard fasteners for tightness after initial assembly and on a regular basis to ensure brushguard remains properly attached to the vehicle.

