

# DOOR AND SOFT TOP KIT

P/N 2880646



## APPLICATION

SPORTSMAN ACE

## BEFORE YOU BEGIN

Read these instructions thoroughly and make sure all parts and tools are accounted for. Please retain these installation instructions for future reference and parts ordering information.

## KIT CONTENTS

| Ref | Description                   | Door and Soft Top Kit (2880646) | Spare Kits                     |                             |                            |                            |                                     |
|-----|-------------------------------|---------------------------------|--------------------------------|-----------------------------|----------------------------|----------------------------|-------------------------------------|
|     |                               |                                 | Service Hardware Kit (2205771) | Latch/Striker Kit (2205772) | LH Door Skin Kit (2205773) | RH Door Skin Kit (2205774) | Roof Service Hardware Kit (2205775) |
| 1   | Left Hand Side Door Skin      | 1x                              | -                              | -                           | 1x                         | -                          | -                                   |
| 2   | Right Hand Side Door Skin     | 1x                              | -                              | -                           | -                          | 1x                         | -                                   |
| 3   | Soft Top                      | 1x                              | -                              | -                           | -                          | -                          | -                                   |
| 4   | Adhesive Backed Loop Fastener | 2x                              | 2x                             | -                           | -                          | -                          | -                                   |
| 5   | Alcohol Wipes                 | 2x                              | 2x                             | -                           | -                          | -                          | -                                   |
| 6   | Loctite                       | 1x                              | -                              | 1x                          | -                          | -                          | -                                   |
| 7   | Large Hose Clamp              | 4x                              | 4x                             | -                           | -                          | -                          | -                                   |
| 8   | ROPS Attachment Bracket       | 4x                              | 4x                             | -                           | -                          | -                          | -                                   |
| 9   | Latch Plate                   | 2x                              | -                              | 2x                          | -                          | -                          | -                                   |
| 10  | Latch Left                    | 1x                              | -                              | 1x                          | -                          | -                          | -                                   |
| 11  | Latch Right                   | 1x                              | -                              | 1x                          | -                          | -                          | -                                   |
| 12  | Striker Bracket               | 2x                              | -                              | 2x                          | -                          | -                          | -                                   |
| 13  | P-Channel                     | 1x                              | -                              | -                           | -                          | -                          | 1x                                  |
| 14  | ¼-20x3/4 Bolts                | 7x                              | -                              | 4x                          | -                          | -                          | 3x                                  |
| 15  | ¼-20 Nuts                     | 7x                              | -                              | 4x                          | -                          | -                          | 3x                                  |
| 16  | 1/4 Washers                   | 7x                              | -                              | 4x                          | -                          | -                          | 3x                                  |
| 17  | M8 x 1.25 Bolt                | 2x                              | -                              | 2x                          | -                          | -                          | -                                   |
| 18  | Latch Knobs                   | 2x                              | -                              | 2x                          | -                          | -                          | -                                   |
| 19  | Screws                        | 2x                              | -                              | 2x                          | -                          | -                          | -                                   |
| 20  | Webbing Pulls                 | 2x                              | -                              | 2x                          | -                          | -                          | -                                   |
| 21  | LH Door Frame                 | 1x                              | -                              | -                           | -                          | -                          | -                                   |
| 22  | RH Door Frame                 | 1x                              | -                              | -                           | -                          | -                          | -                                   |
|     | Instructions (P/N 9925851)    | 1x                              |                                |                             |                            |                            |                                     |

## TOOLS NEEDED

Torx Drivers (M8)

Metric Nut Driver Set

Metric Open End Wrench Set

## APPROXIMATE ASSEMBLY TIME

40-60 mins

## IMPORTANT

- Your Polaris DOOR AND SOFT TOP KIT is exclusively designed for use with this vehicle. Please read the installation instructions carefully and completely and verify that all components are included in this kit.
- Installation is easier if the vehicle is clean and free of debris.
- Door preparation including cleaning and installing adhesive backed fasteners must be done indoors at room temperature. All adhesives must be given 24 hours to cure before attaching.
- You must wear safety glasses when installing this kit.
- Please use the following torque chart when installing fasteners:

| Size       | Required Torque       |
|------------|-----------------------|
| 1/4-20     | 8 ft. lbs. (10.8 Nm)  |
| M8         | 18 ft. lbs. (24.4 Nm) |
| Hose Clamp | 3 ft. lbs. (4.1 Nm)   |



## INSTALLATION INSTRUCTIONS

1. Place the vehicle in “**PARK**”. Turn the key to “**OFF**” position and remove from the vehicle.

2. Lay the two doors out on flat, clean surface with the inside of the doors (grey side of the material) facing up. Each door will have three pieces of adhesive backed hook fastener attached to a similarly sized piece of loop fastener that is sewn to the door fabric.

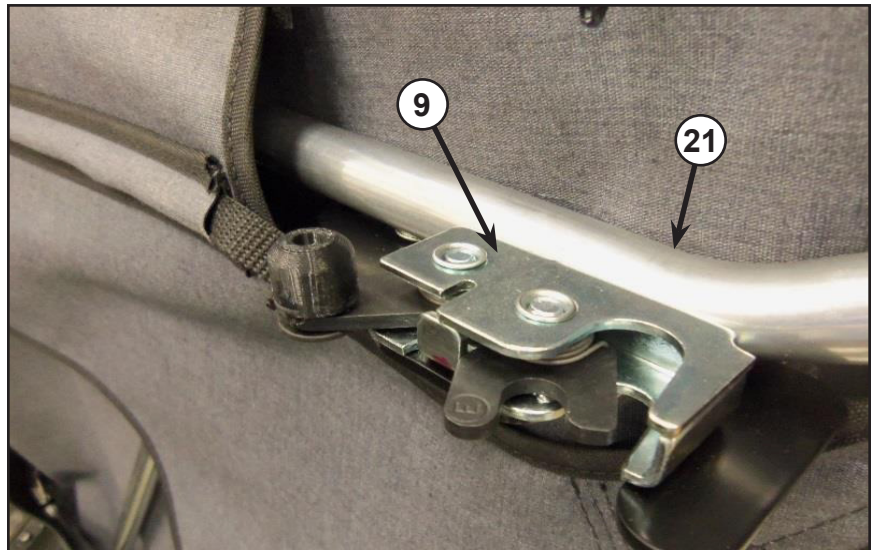
- Clean the aluminum door frames (21 and 22) using the alcohol pads in the locations under these fasteners. Remove each piece of adhesive backed hook fastener from the loop fastener, remove the protective backing, and apply the fastener to the frame with the hook side facing the interior of the doors.

- Press firmly and evenly to achieve a good bond. Allow the adhesive to dry before applying attaching the hook and loop together. The loop fastener does not need to be tightly mated to the hook fastener; this will be adjusted during a later step.

3. Install the latch assembly (B) to the LH and RH door frames (21 and 22).

Install the latch to the top of the latch plate (9) with text on the bottom as shown in figure. Use two ¼-20X3/4 bolts. Apply thread locking compound to the bolts before installing. Tighten these bolts.

Install the latch plate assembly to the door frame (21) as shown in figure. Use two ¼-20 locknuts with washers. These should be installed finger tight only. They will be tightened in a later step.



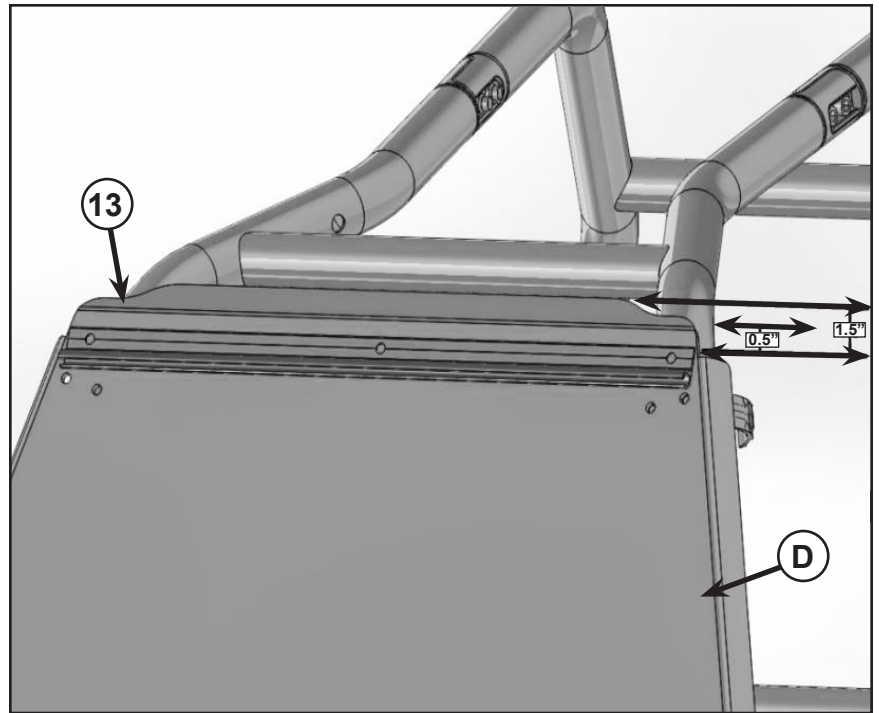


4. Install the P-channel (13) to the windshield (D). Remove the windshield (D) from the vehicle. Align the P-channel (13) with the opening facing down in the location as shown in figure. The top edge of the P-Channel should be positioned 1.5" from the top edge of the windshield (approximately 0.5" from the bend). The P-channel should be centered side to side.

Using the holes in the P-channel as a guide, drill three 11/32" holes in the windshield. Clean and de-burr the holes.

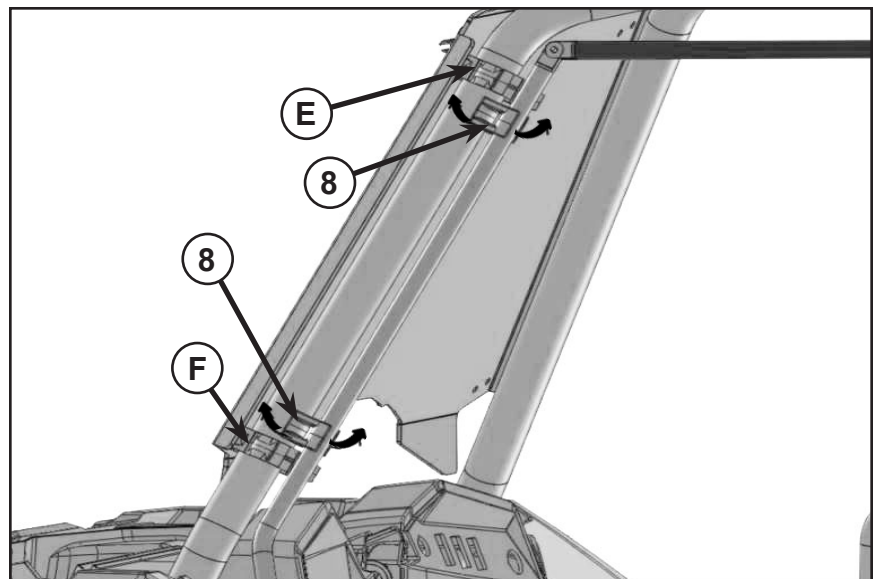
Install the P-channel using the three remaining 1/4-20 bolts, nuts and washers, with the bolts inserted from the outside and the nuts and washers on the inside of the windshield.

Reinstall the windshield to the vehicle.



5. Install the hose clamps and ROPS attachment brackets (8) to the A-pillars. The upper brackets should be installed directly below the upper windshield clamps (E). The lower brackets should be installed directly above the lower windshield clamps (F). The hinges on the brackets should lock to the inside of the vehicle.

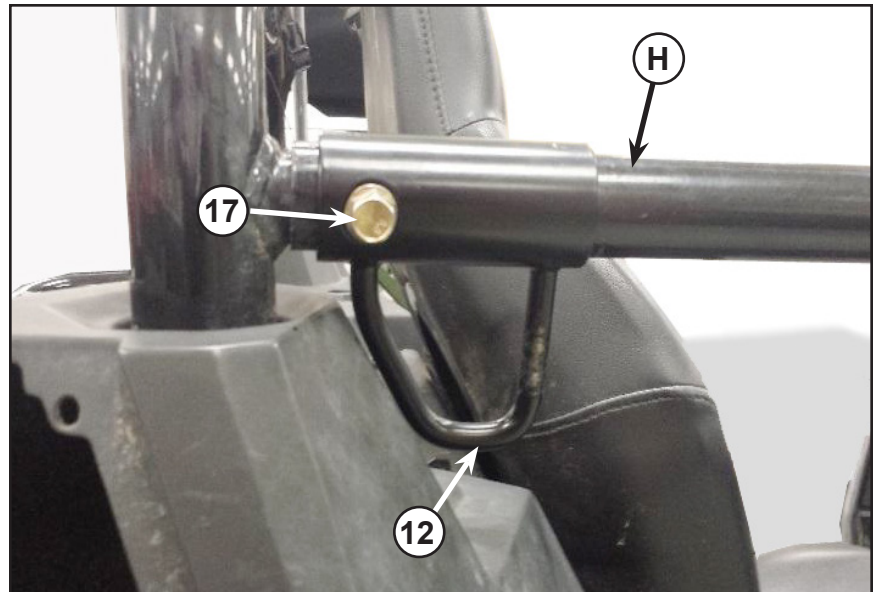
The hose clamps should be tight enough to keep the brackets from moving up or down on the A-pillar, but still loose enough to allow the brackets to rotate. They will be tightened in a later step.



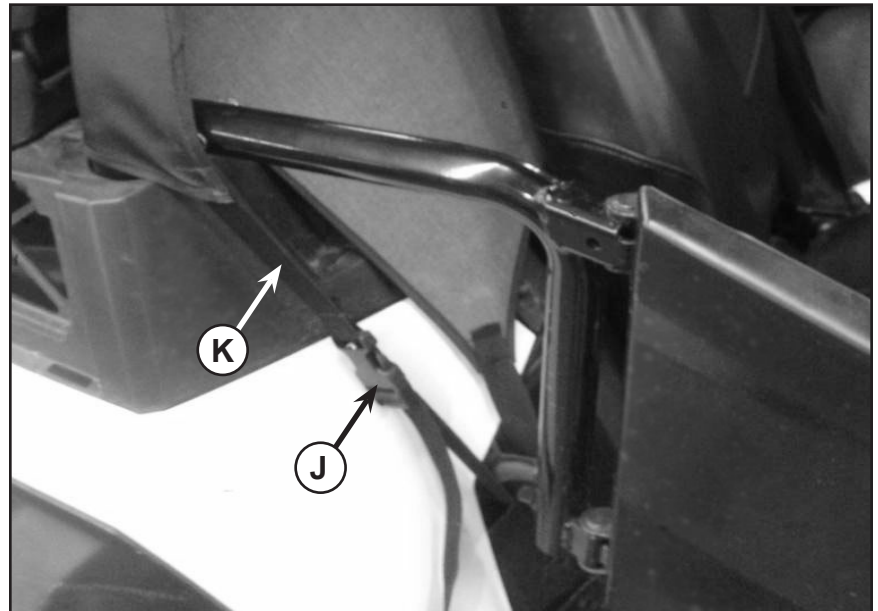
6. Cut out templates (G) for positioning front lower door hinge and locate as shown in figure. Front edge should be against plastic and large hole should clear head of bolt. Drill 0.25" holes into the plastic floor boards at the lower front of each side of the vehicle.



7. Install the striker bracket (12) to the RHS hip restraint bar (H) as shown. Remove bolster bolts and bolster tube. Retain nut for reuse but use new bolt (17) supplied with the kit. Slide striker over bolster tube and reassemble with new bolt (17) going through striker and tighten bolts. Reuse the removed nut. Repeat for other side.

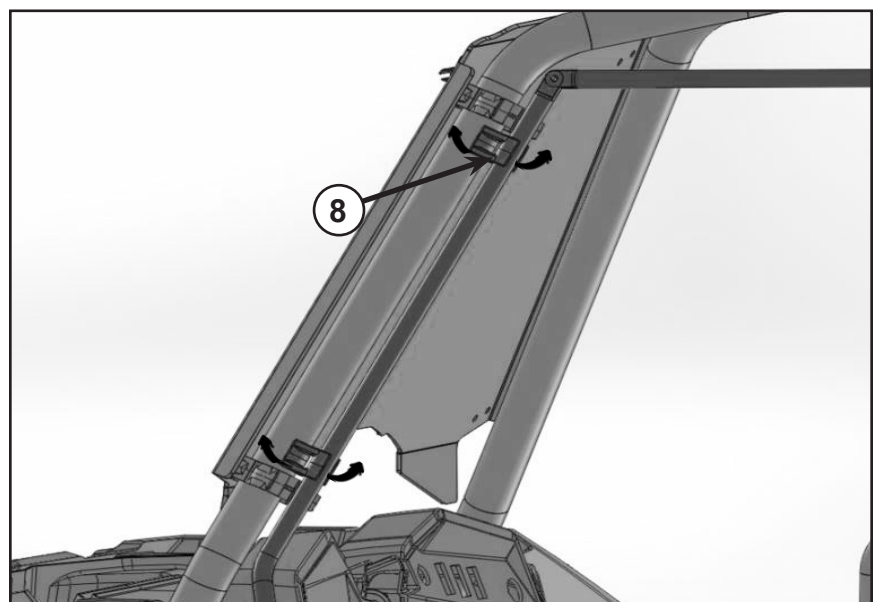


8. Install the soft top. Slide the welting on the front edge of the top through the P-channel. The top should hang upside down and off the front of the vehicle at this point. Once the welting is seated in the P-channel, the top should be flipped over so it drapes the vehicle.



9. The rear section of the soft top should slide between the seat and the rear plastic panel of the vehicle. The webbing straps (K) can be routed around the hip restraint bars, and the buckles (J) can be attached on the outside of the bars. Tighten the webbing straps (K) to pull the soft top tight.

10. Install the doors. Slide the pin on the front bottom of each door frame into the 0.25" hole drilled into the lower front of each side of the vehicle. Snap the upper section of the frame into the ROPS attachment brackets (8). Lock the brackets.



11. Rotate the ROPS attachment brackets (8) in or out to adjust the position of the door. Once the door has been fully adjusted there should be a tight seal along all the edges. Tighten the hose clamps to lock the door in this position.



12. Insert the front fabric flap of the doors between the windshield and the A-pillar. The fabric should wrap around the A-pillar and attach to the hook fastener on the frames. The rubber seal should be pulled into the space between the windshield and the A-pillar. Insert hook-loop strap on top front of door around A-pillar above windshield clamp and attach to loop on fabric flap.

13. Attach the plastic J-channel (M) at the lower front of the canvas to the outside of the windshield on the lower inner edge as shown in figure.



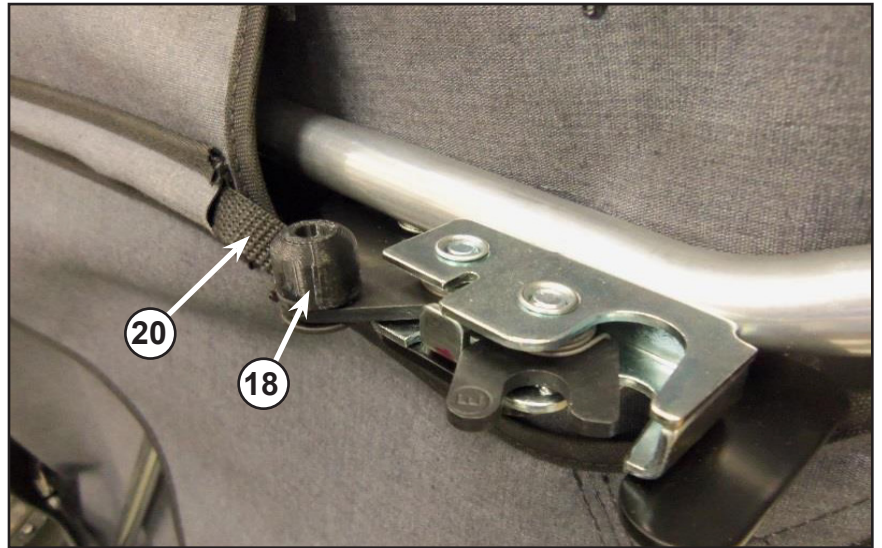
14. Attach the loop fastener at the upper and rear edges of each door fabric to the hook fastener on the frame. This will tighten the fabric on the frames. This attachment can be adjusted once the installation is completed to adjust the seal of the doors.

15. Tightly close the RHS door and adjust the latch and striker bracket so the latch fully engages when the door is closed. Use the lock nuts to adjust the RHS door latch from front to back. When all of the components are adjusted correctly, tighten the lock nuts.

16. Tightly close the LHS door and adjust the latch and striker bracket so the latch fully engages when the door is closed. Use the lock nuts to adjust the LHS door latch from front to back. When all of the components are adjusted correctly, tighten the lock nuts.



17. Tightly close the RHS door and adjust. Insert the ½" webbing strap (20) with the red webbing handle through the channel on the doors from front to back. Screw the ½" webbing strap to the latch using the supplied screw, threading it into the supplied knob (18).



18. The doors and soft top should be fully installed with a good seal at all edges. All fasteners should be tightened down. The LHS and RHS door should close securely with the latch.



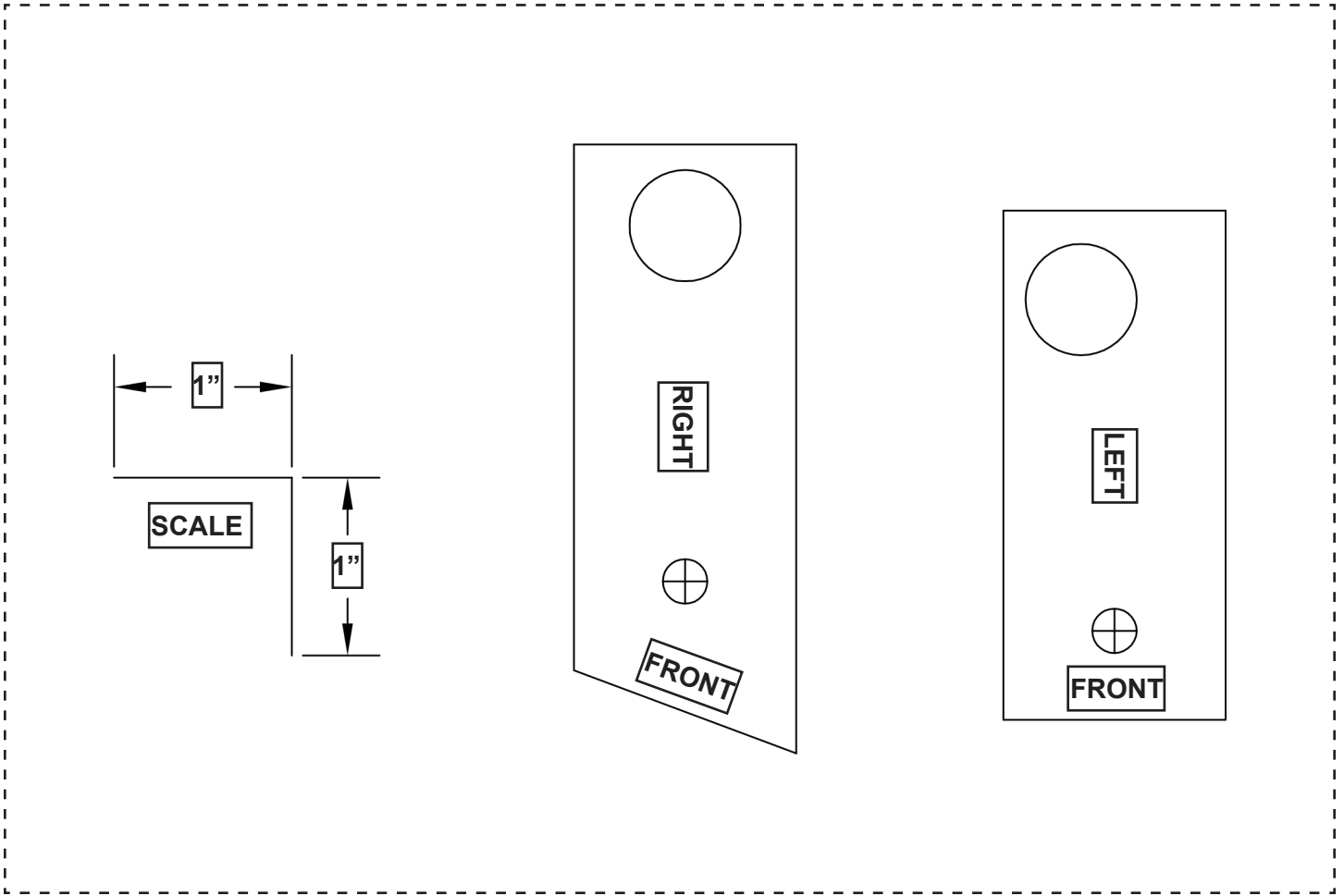
## OPERATING INSTRUCTIONS

- The windows on the front and rear doors can be unzipped, rolled down, and secured with the webbing straps and snaps. It is recommended to remove the cab from the vehicle before towing on a trailer.

**THIS PAGE IS INTENTIONALLY LEFT BLANK**



**ACE DRILL TEMPLATE**



**Measure the template after printing to be sure the template has printed correctly**