

# GUN SCABBARD MOUNT KIT



**P/N 2881143**

## APPLICATION

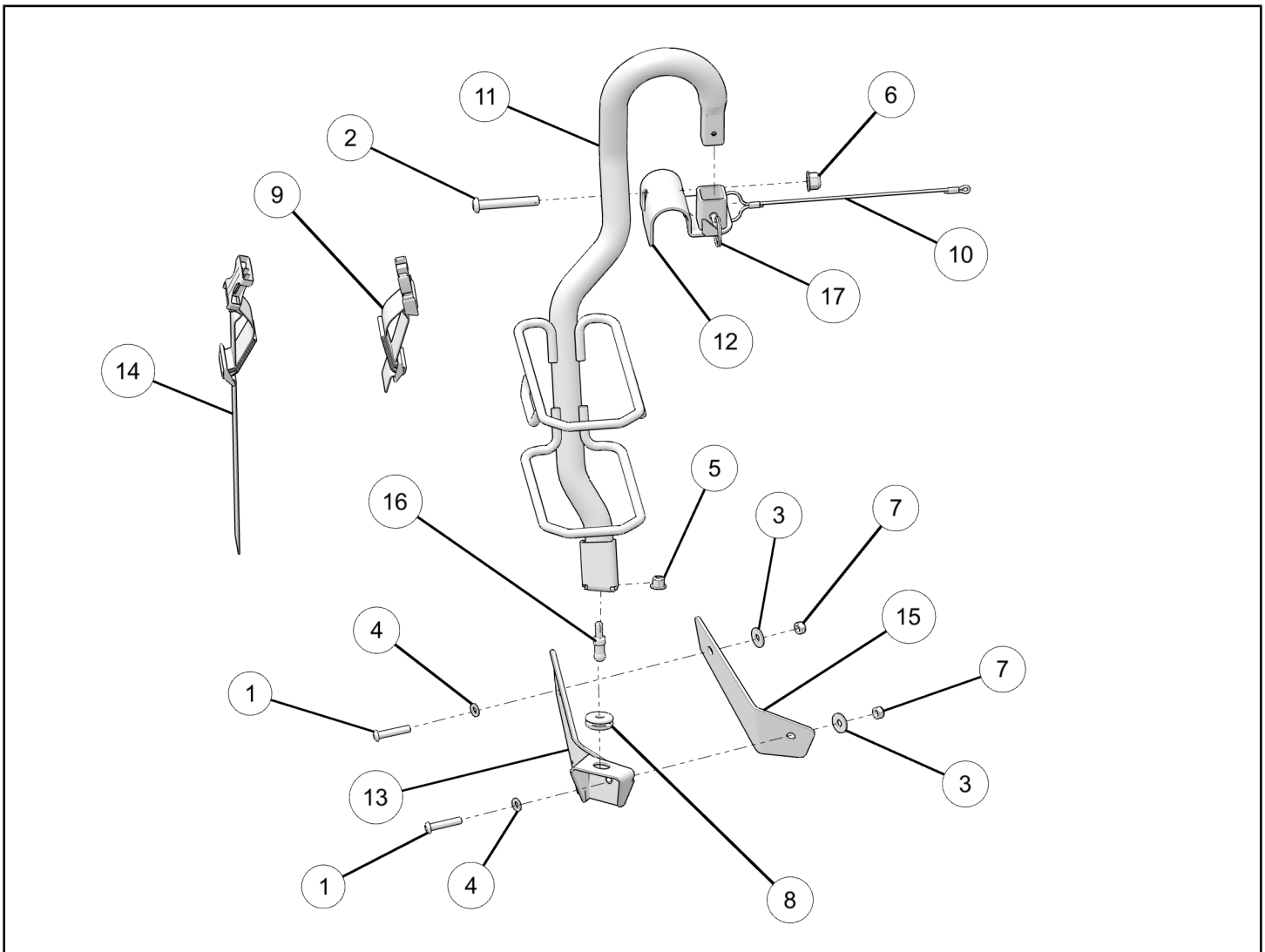
ACE Models

## BEFORE YOU BEGIN

Read these instructions and check to be sure all parts and tools are accounted for. Please retain these installation instructions for future reference and parts ordering information.

## KIT CONTENTS

This Kit includes:



REF	QTY	PART DESCRIPTION	PART NUMBER
1	2	Button Head Torx Cap Screw, M6 - 1.0 X 30	-
2	1	Button Head Torx Cap Screw, M8 - 1.25 X 55 mm	-
3	5	M6 Flat Fender Washer	-

REF	QTY	PART DESCRIPTION	PART NUMBER
4	2	Flat Washer, M6 - 6.4 mm X 12 mm X 1.6 mm	-
5	1	Hexagonal Flange Nylon Locknut, M6 X 1.0	-
6	1	Hexagonal Flange Nylon Nut, M8 - 1.25	-
7	2	Hexagonal Nylon Nut, M6 - 1.0	-
8	1	Rubber Grommet	-
9	1	Male Webbing Assembly	-
10	1	Black Vinyl-Coated Wire Rope Galv	-
11	1	Gun Scabbard Mount	-
12	1	Bolster Bar Bracket	-
13	1	Fender Bracket	-
14	1	Female Webbing Assembly	-
15	1	Foam Pad	-
16	1	Ball Pin	-
17	1	Quick Release Pin	-
	1	Instructions	9926696

## TOOLS REQUIRED

- 10 mm Socket and Wrench
- 13 mm Socket and Torx Wrench

## IMPORTANT

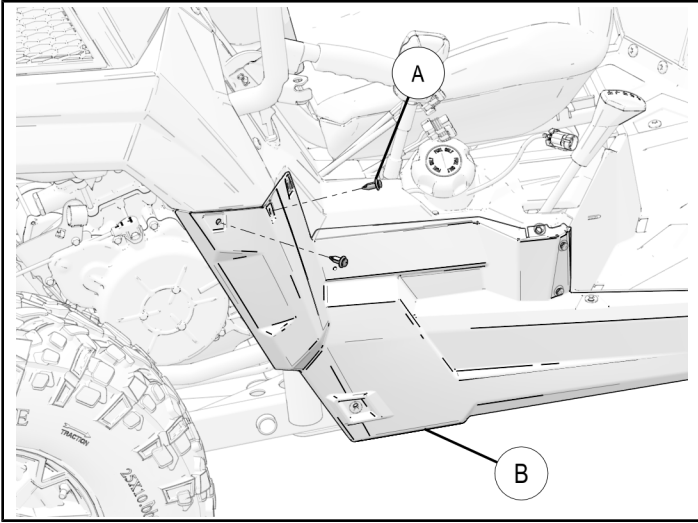
Your GUN SCABBARD MOUNT KIT is exclusively designed for your vehicle. Please read the installation instructions thoroughly before beginning. Installation is easier if the vehicle is clean and free of debris. For your safety, and to ensure a satisfactory installation, perform all installation steps correctly in the sequence shown.

## ASSEMBLY TIME

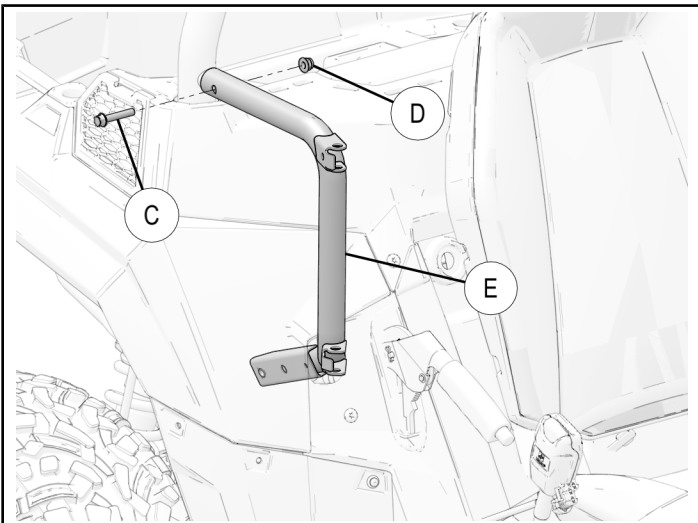
Approximately 15 minutes

## INSTALLATION INSTRUCTIONS

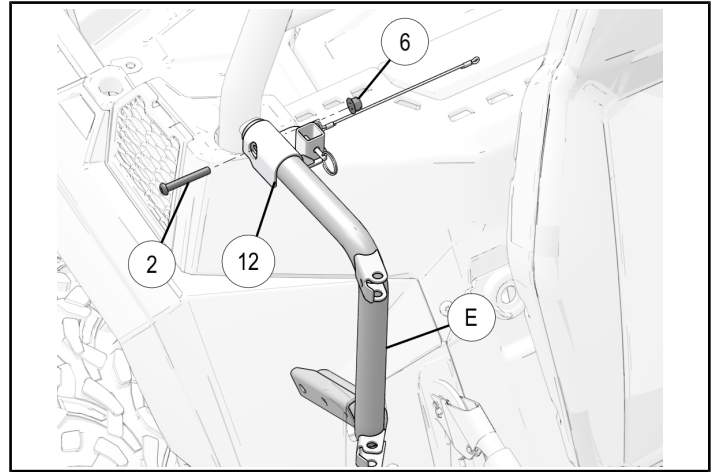
1. Place vehicle in "PARK". Turn the key to "OFF" position and remove from the vehicle.
2. Remove two rivets (A) from rocker (B) and discard.



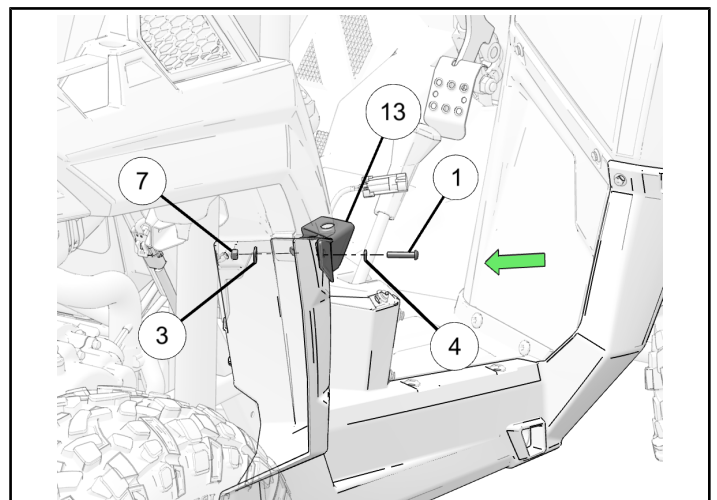
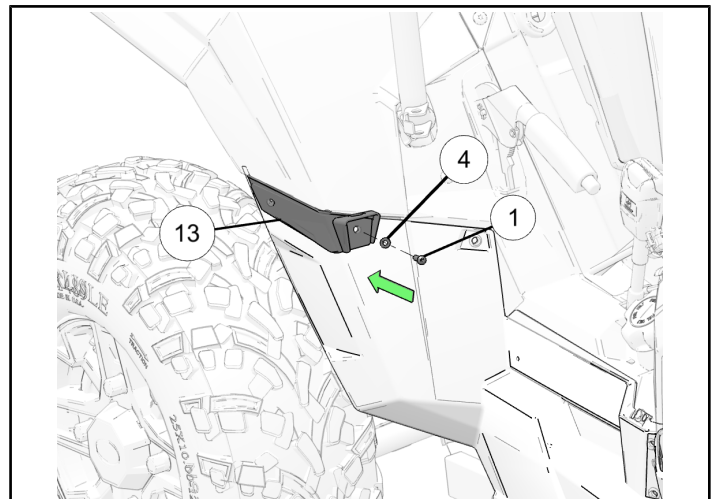
3. Remove M8 screw (C) and M8 nut (D) from bolster bar (E). Discard hardware.



4. Install the bolster bar bracket (12) on bolster bar (E) using screw (2) and hexagonal flange nut (6). Do not tighten at this time.



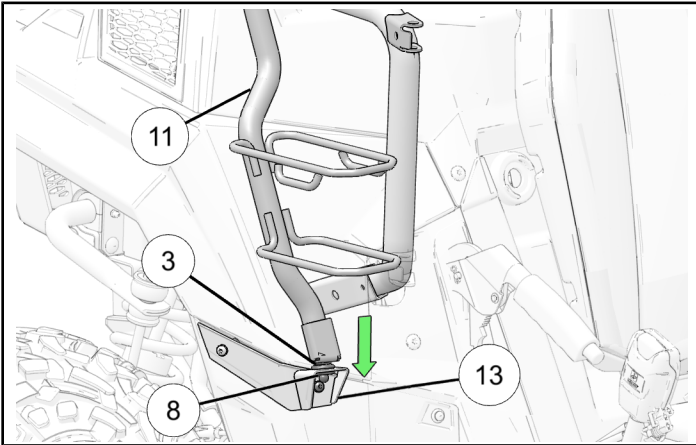
5. Install fender bracket (13) on to fender panel. Use two torx screws (1), two flat washers (4), two fender flat washers (3) and two nuts (7).



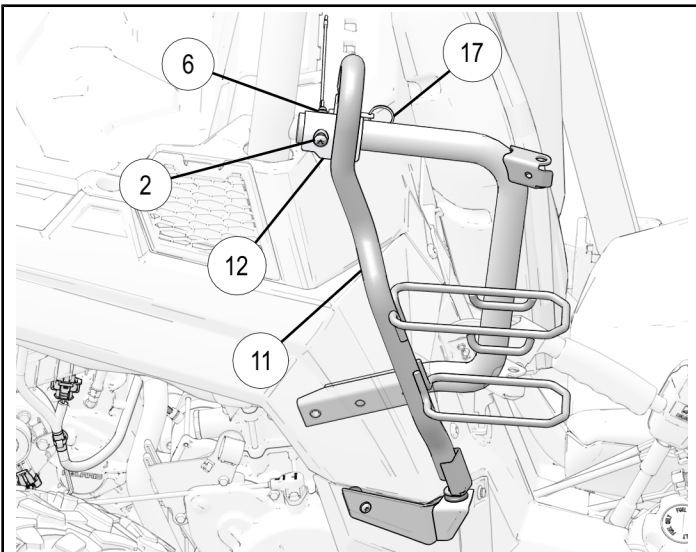
6. Install gun scabbard mount (11) onto fender bracket (13) by inserting pin (16) through rubber grommet (8).

### NOTE

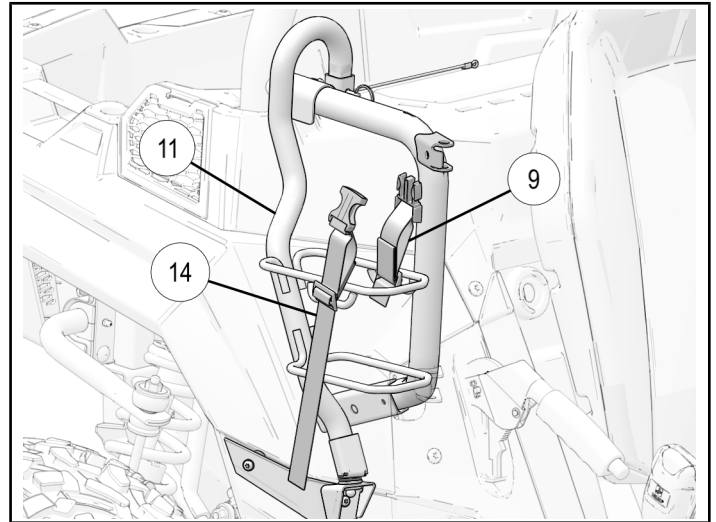
On some models the pin (16) may not fully seat into the rubber grommet (8). If this is the case after completing adjustment in Step 7, remove the pin from the bracket (13), install washers (3) on the threaded portion of the pin and reinstall. This will help position the pin for full engagement in the grommet.



7. Line up upper portion of gun scabbard mount (11) with bolster bar bracket (12) and adjust until quick release pin (17) can be installed. Tighten screws (2) and nut (6) at this time to secure bolster bar bracket (12).



8. Install female webbing assembly (14) and male webbing assembly (9) on the gun scabbard mount (11). Insert gun boot and secure with webbing and buckles.



9. Adjust webbing to hold gun boot securely in place.