

# SPORTSMAN ACE PLOW MOUNT KIT

**POLARIS**

ENGINEERED PARTS  
ACCESSORIES & APPAREL

**P/N 2879634**

## APPLICATION

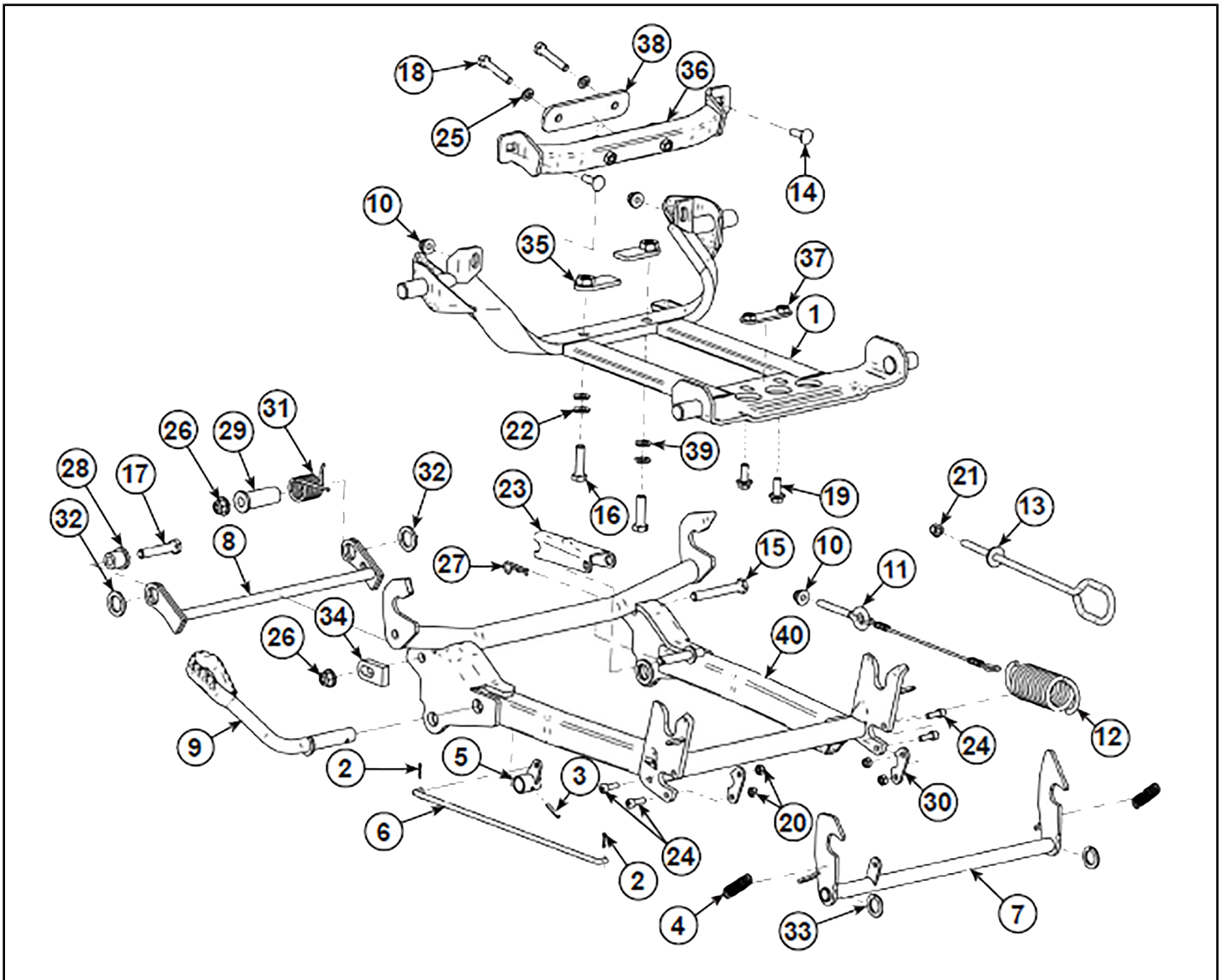
SPORTSMAN ACE MODELS

## BEFORE YOU BEGIN

Read these instructions and check to be sure all parts and tools are accounted for. Please retain these installation instructions for future reference and parts ordering information.

## KIT CONTENTS

This Kit includes:



**SPARE KITS**

REF	PART DESCRIPTION	ACE PLOW MOUNT KIT (2879634)	ACE MOUNT PLATE KIT (2205388)	PRO ACE GLACIER LATCH KIT (2205067)	ACE HARDWARE KIT (2205695)	SPRING AND CABLE KIT (2205696)	WINCH LINK KIT (2205384)
1	Mount Plate Frame Assembly	1X	1X				
2	Cotter Pin Ø2 X 10mm	2X		2X	2X		
3	Spiral Pin Ø4 X 22mm	1X		1X	1X		
4	Tension Spring	2X		2X			
5	Pedal Link	1X		1X			
6	Link Rod	1X		1X			
7	Rear Hooks	1X		1X			
8	Height Locking Lever	1X		1X			
9	Welded Pedal	1X		1X			
10	Nylon Flange Nut M8-1.25	3X			3X	1X	
11	Adjustment Wire	1X				1X	
12	Spring	1X				1X	
13	Winch Link	1X					1X
14	Carriage Bolt M8-1.25 X 25	2X			2X		
15	Hexagonal Bolt M10-1.5 X 70	1X			1X		
16	Hexagonal Bolt M10-1.25 X 35	2X			2X		
17	Hexagonal Bolt M10-1.5 X 50	1X			1X		
18	Hexagonal Bolt M8-1.25 X 45	2X			2X		
19	Hexagonal Flange Bolt M8-1.25 X 20mm	2X			2X		
20	Hexagonal Nylon Nut M6-1.0	4X			4X		
21	Hexagonal Nylon Nut M8-1.25	1X			1X		1X
22	Lock Washer M10	2X			2X		
23	Rocker	1X		1X			
24	Socket Head Cap Screw M6-1 X 18 mm	4X			4X		
25	Spring Lock Washer M8	2X			2X		
26	Hexagonal Flange Nylon Nut M10-1.5	2X			2X		
27	'R' Pin Short Zinc Plated	1X		1X	1X		
28	Short Flange Bushing	1X			1X		
29	Long Flange Bushing	1X			1X		
30	Half Lock	2X			2X		

SPARE KITS							
REF	PART DESCRIPTION	ACE PLOW MOUNT KIT (2879634)	ACE MOUNT PLATE KIT (2205388)	PRO ACE GLACIER LATCH KIT (2205067)	ACE HARDWARE KIT (2205695)	SPRING AND CABLE KIT (2205696)	WINCH LINK KIT (2205384)
31	Torsion Spring	1X			1X		
32	HDPE Washer	4X			4X		
33	Spacer	2X			2X		
34	Height Stopper	1X			1X		
35	Front Tightening Plate	2X			2X		
36	Square Tube Assembly	1X			1X		
37	Tightening Plate	1X			1X		
38	Plate 3	1X			1X		
39	Flat Washer, M10	2X			2X		
40	Fixation Frame	1X					
	Instructions (PN 9924938)	1X					

## TOOLS REQUIRED

- 13mm, 15mm and 17mm Sockets and Wrenches
- Long Nose Pliers
- T40 Torx

## IMPORTANT

Your Polaris SPORTSMAN ACE PLOW MOUNT KIT is exclusively designed for your vehicle. Please read the installation instructions thoroughly before beginning. Installation is easier if the vehicle is clean and free of debris. For your safety, and to ensure a satisfactory installation, perform all installation steps correctly in the sequence shown.

## ASSEMBLY TIME

Approximately 40 minutes

## INSTALLATION INSTRUCTIONS

### IMPORTANT

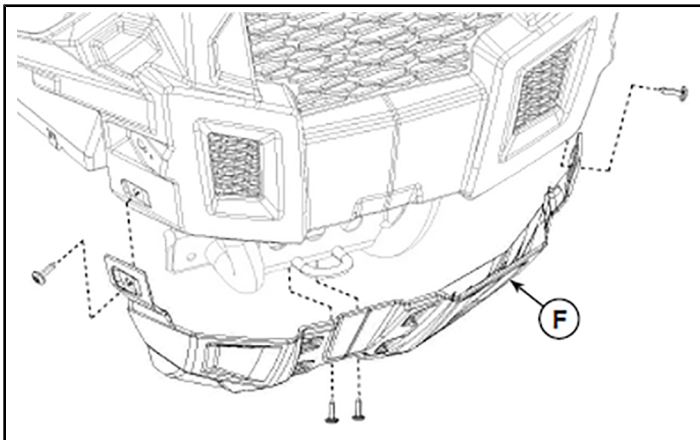
The use of a Polaris winch with a Pro HD auto-stop and synthetic winch rope are recommended for use with this plow system to prevent premature failure of the winch cable. The winch should be installed on the unit prior to installing this kit.

## WINCH LINK ASSEMBLY

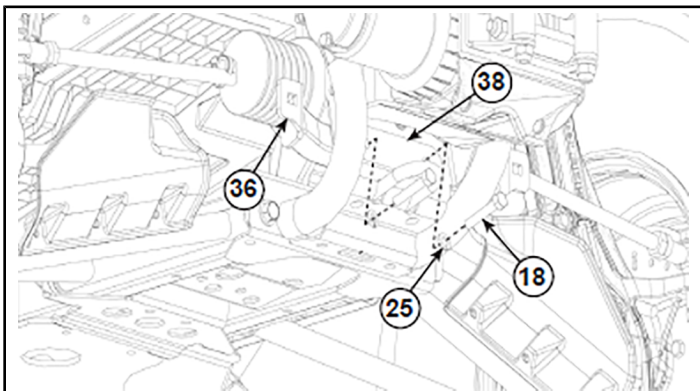
Refer to the Plow Frame (2879630) installation guide for winch link assembly and adjustment.

## MOUNT PLATE INSTALLATION

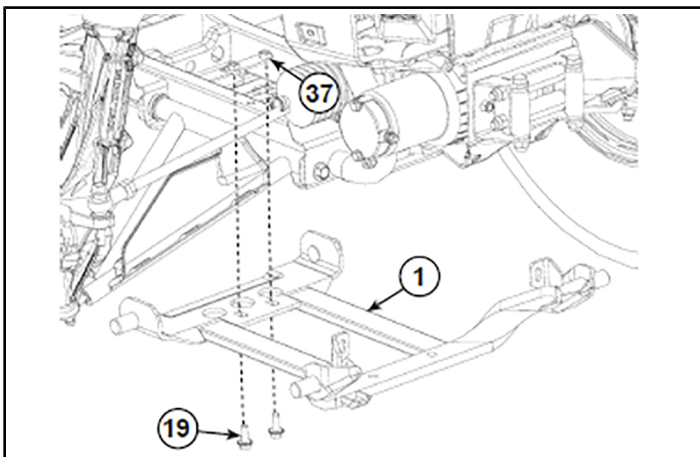
1. Remove all fasteners securing front lower fascia (F) to vehicle as shown.



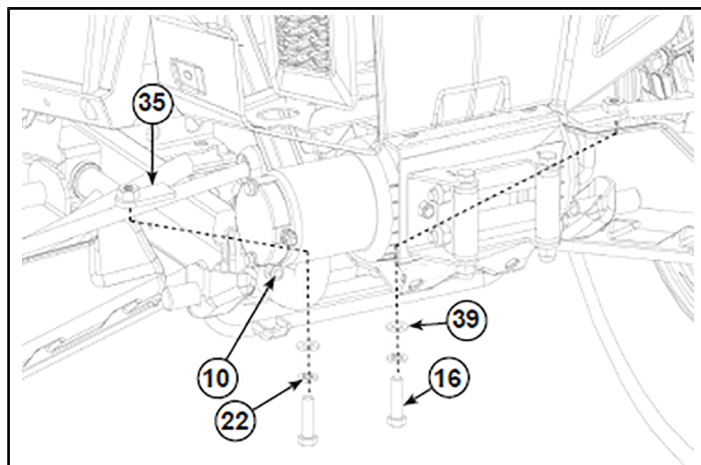
2. Position the front cross member (36) under the steering rack of the vehicle and install two bolts (18) with spring lock washers (25) through plate (38) from the front of the vehicle.



3. Position the mount plate (1) under the vehicle and the tightening plate (37) over the skid plate.
4. Fasten by hand the rear part of the mount plate (1) using hex flange bolt M8 X 20 (19).



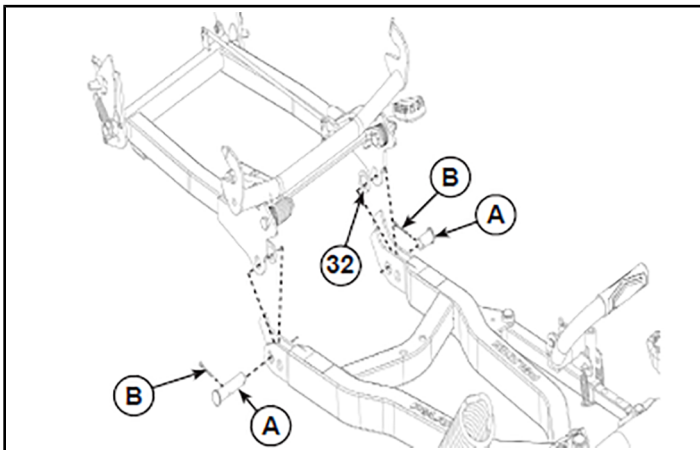
5. Fasten the front lower area of mount plate to the machine using two M10-1.25 X 35 mm hex bolts (16), two lock washers (22), two flat washers (39) and two front tightening plates (35). Assemble the mount plate to the square tube assembly that was installed in Step 2 with two M8-1.25 X 25 mm carriage bolts and two nylon flange nuts (10). All hardware should be hand tight at this time.



6. Fully tight all bolts and nuts starting by the front lower bolts, then the rear bolts, then the front top bolts.
7. Reinstall the lower fascia that was removed in Step 1.

## HOOK-UP ASSEMBLY

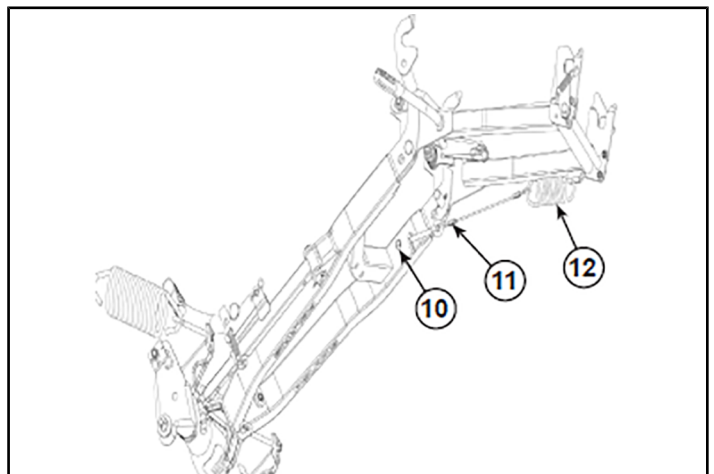
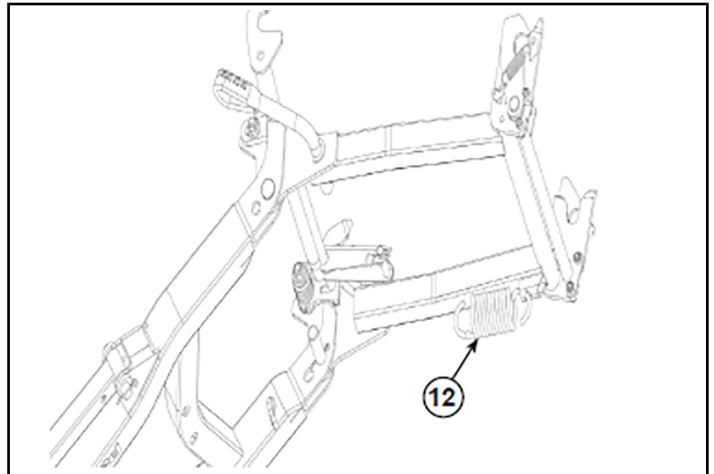
1. Assemble the hook up assembly to the pushframe (2879630) using two pins (A) and two cotter pins (B) supplied in the pushframe kit. Insert one HDPE washer (32) between the hook up and the frame on each side.



2. Place the tension spring (12) in the hook up. Insert the adjustment wire (11) in the open end of the spring then insert the eyebolt in the eyelet of the pushframe and fasten using one nylon flange nut (10).

### IMPORTANT

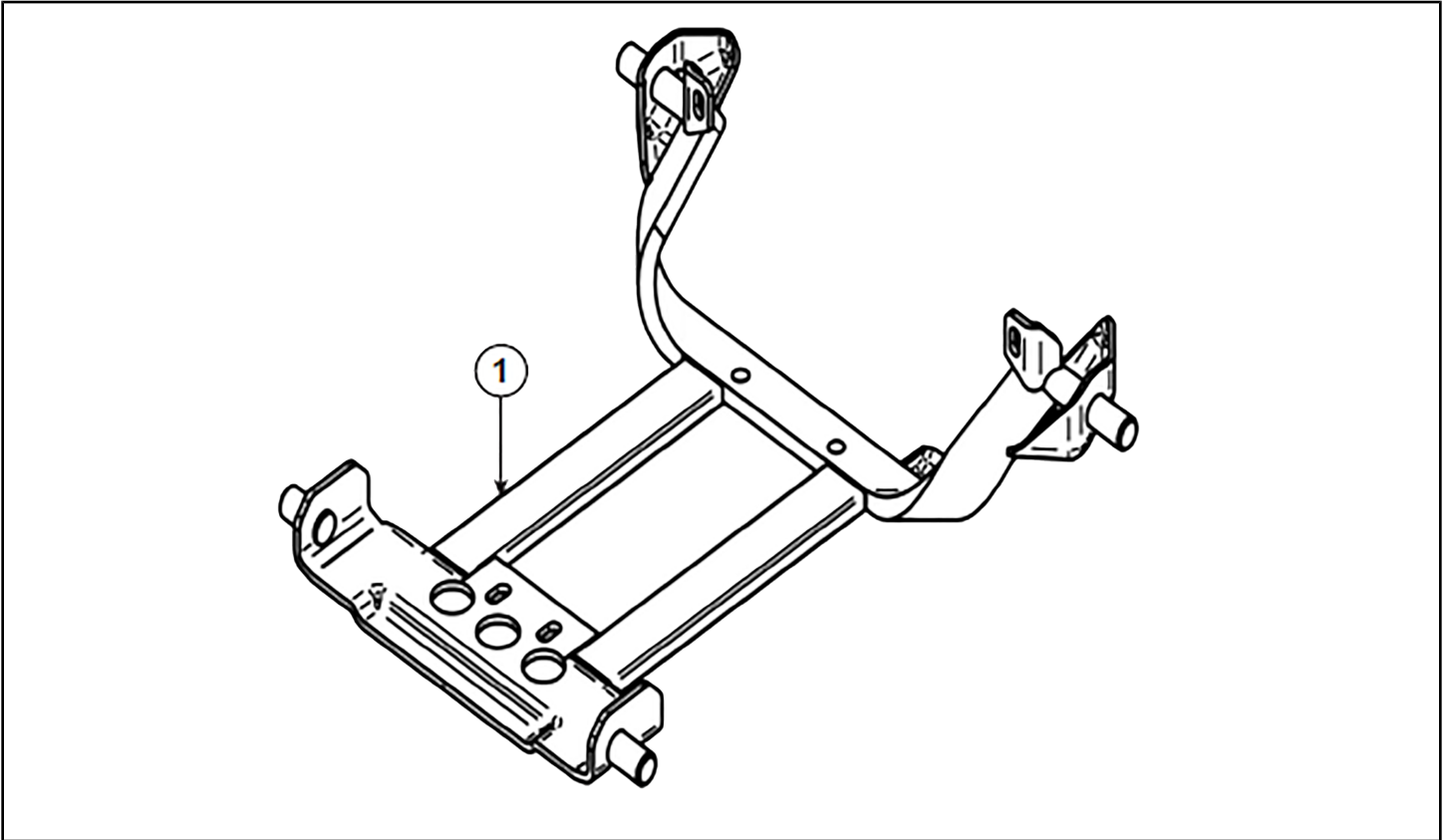
Use a screwdriver to hold the eyebolt while tightening the nut to avoid twisting the steel cable.



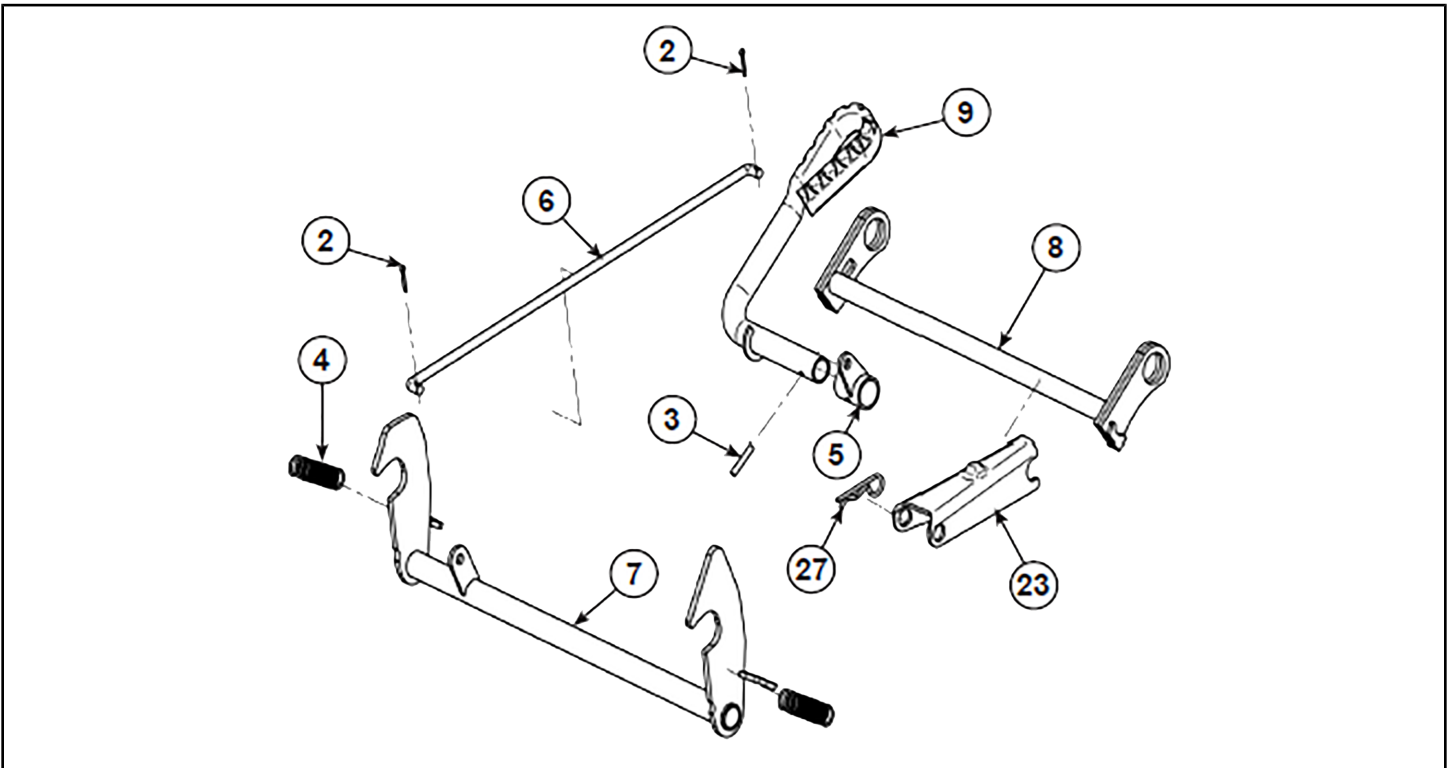
3. Refer to the Plow Frame (2879630) installation guide for the proper height adjustment procedure.

See table on Pages 2 and 3 for a complete part description.

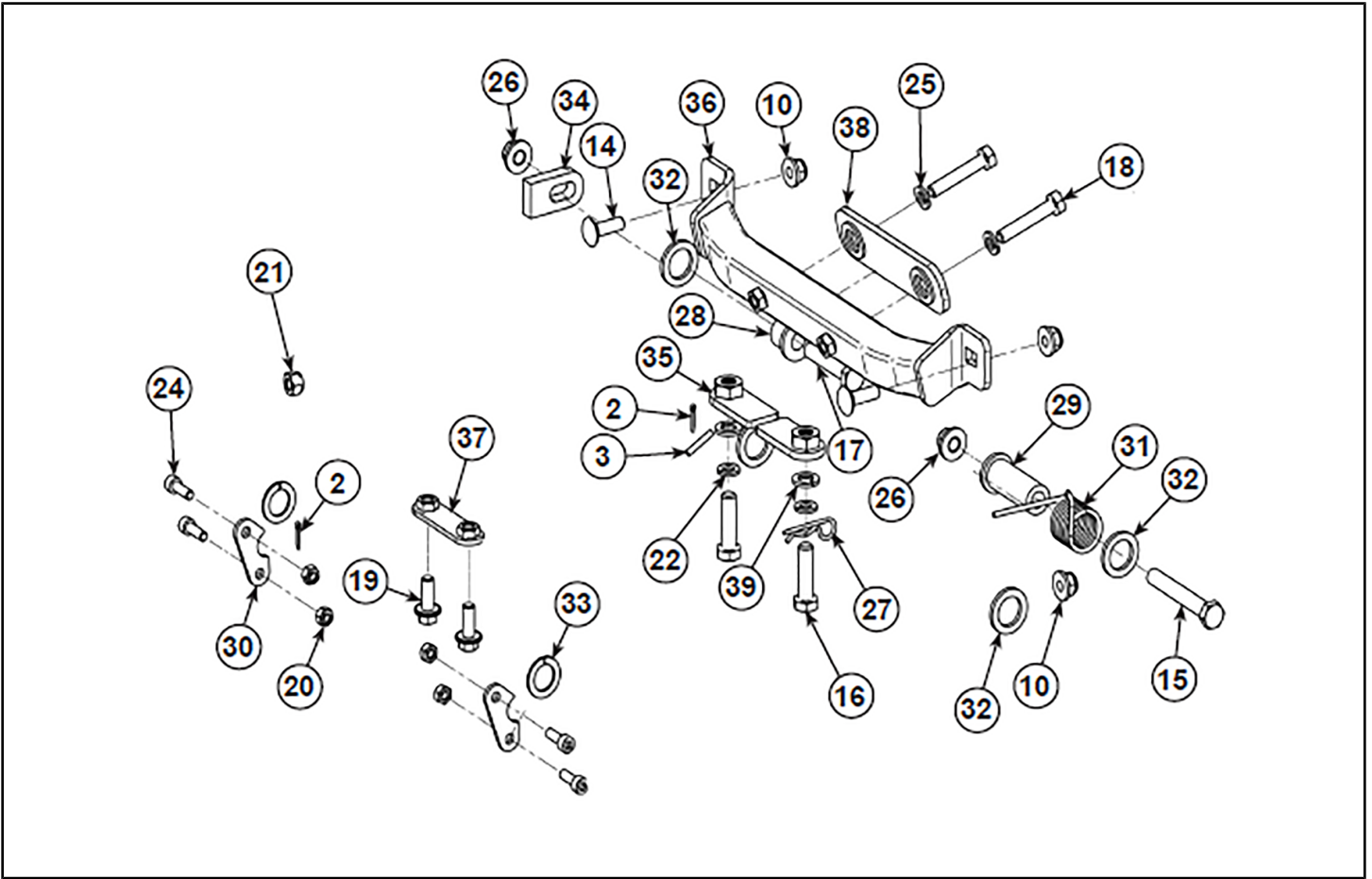
**ACE Mount Plate Kit (2205388)**



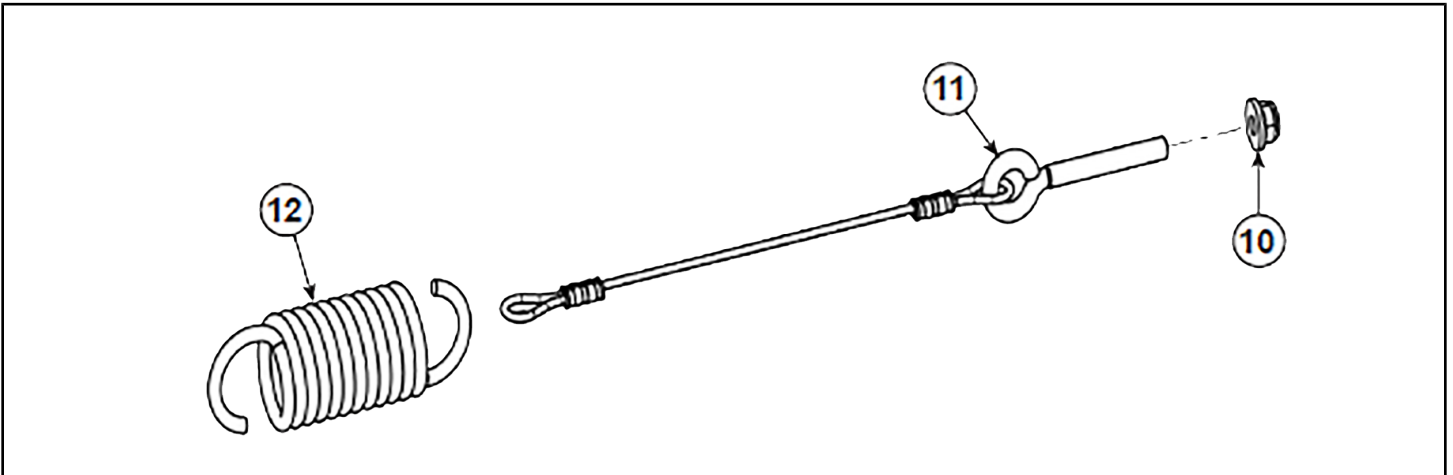
**Pro ACE Glacier Latch Kit (2205067)**



ACE Hardware Kit (2205695)



Spring and Cable Kit (2205696)



Winch Link Kit (2205384)

