

ROOF KIT



P/N 2881147

APPLICATION

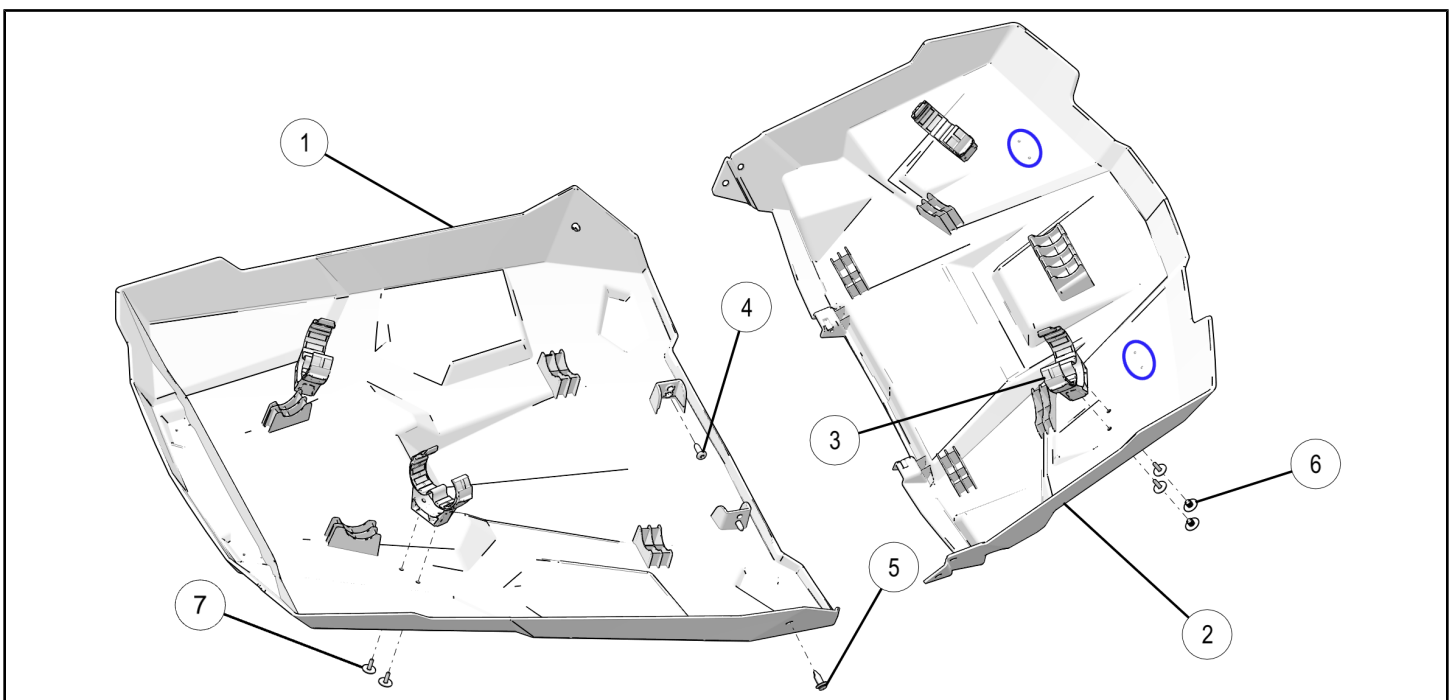
ACE

BEFORE YOU BEGIN

Read these instructions and check to be sure all parts and tools are accounted for. Please retain these installation instructions for future reference and parts ordering information.

KIT CONTENTS

If you have a cab frame extension kit installed, you will need to drill holes in the areas circled in the picture below. See Step 3b for details.



REF	QTY	PART DESCRIPTION	PART NUMBER
1	1	Ace Roof, Front	5452746
2	1	Ace Roof, Rear	5452747
3*	4	Snap Plastic Clamp	5439132
4	2	Truss Screw-Tx- #14 X 3/4, HI/LO B	7519045
5	2	Tuflok® Rivet, 0.315 – 0.325 X 0.787	7661855
6	4	Clip Dart (Nylon)	7670067
7*	8	Screw-SEMS-10-24 X 0.625, GR5, RIE,NY	7519359
	1	Instructions	9926319

Items marked (*) are included in Hardware Kit PN 2878747.

TOOLS REQUIRED

- T40 Torx Driver
- Electric Drill

- 3/16" Drill Bit (If installing on a vehicle with a cab frame extension)

ASSEMBLY TIME

10 minutes

IMPORTANT

Your ROOF KIT is exclusively designed for your vehicle. Please read the installation instructions thoroughly before beginning. Installation is easier if the vehicle is clean and free of debris. For your safety, and to ensure a satisfactory installation, perform all installation steps correctly in the sequence shown.

INSTALLATION INSTRUCTIONS

IMPORTANT

Prior to installing roof, be sure to install rear close off, full windshield, map bag, and or audio if you have purchased these kits.

1. Place vehicle in "PARK". Turn key to "OFF" position and remove from vehicle.
2. Prior to installation of roof, identify if your vehicle has cab frame extension or a regular model.

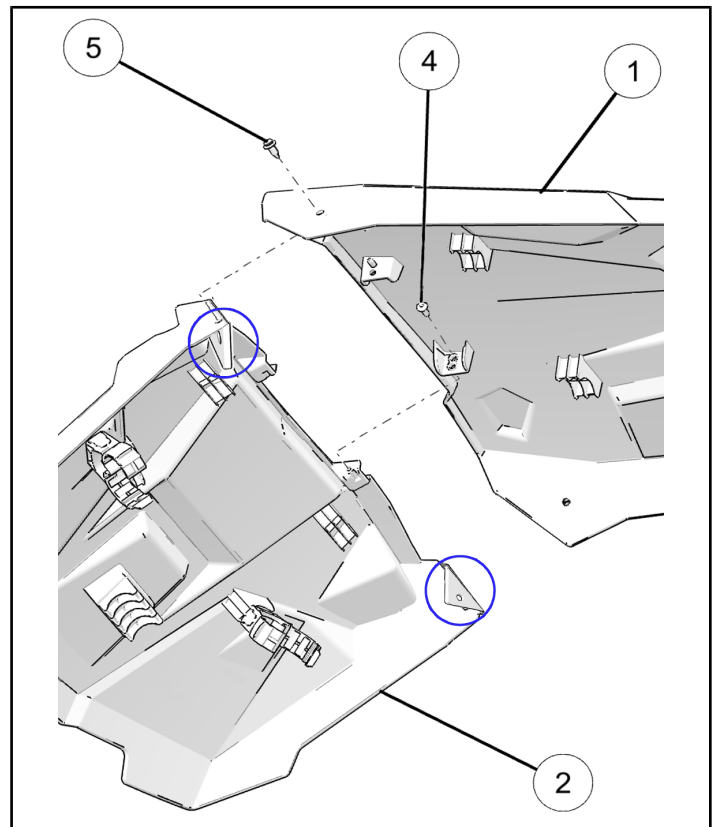
3. Assemble roof prior to installation on your vehicle.

Roof Assembly

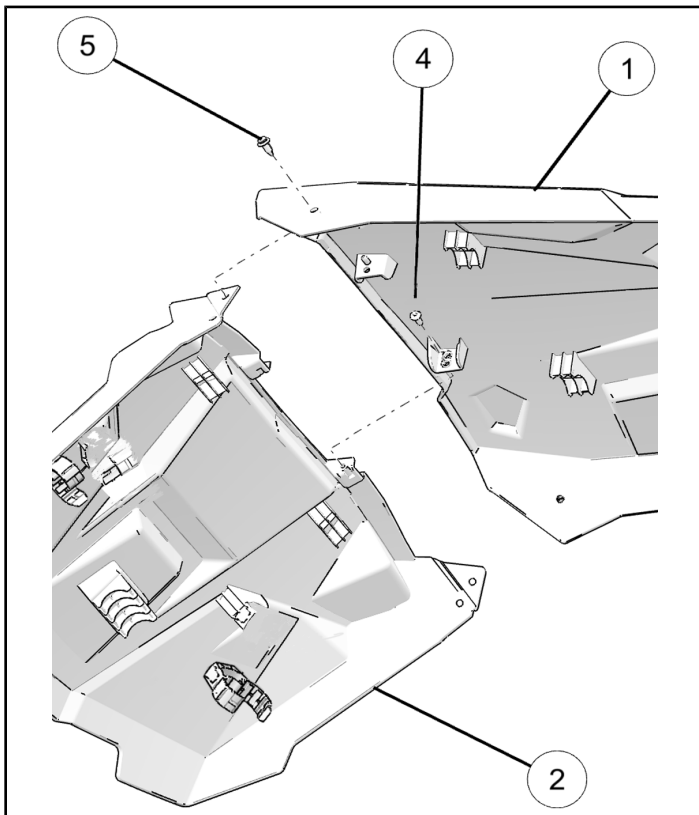
- a. For regular models, align rear holes (as shown) on rear roof (2) with front roof holes and install screws (4) and Tuflock® rivets (5).

NOTE

You will need to bend triangle shaped tabs (circled in blue) out of the way to be able to install the Tuflock® rivets if your vehicle does not have a cab frame extension.

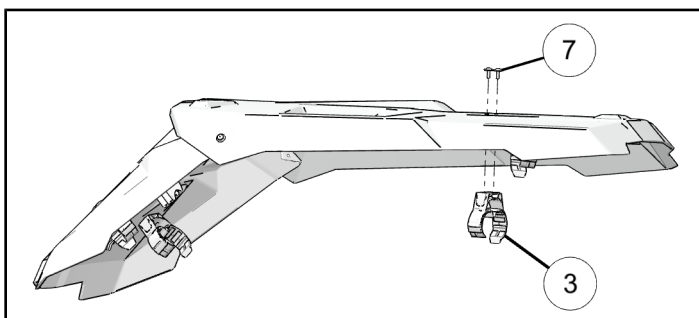


- b. For cab frame extension models, align front holes (as shown) on rear roof ② with front roof holes and install screws ④ and Tuflock® rivets ⑤.

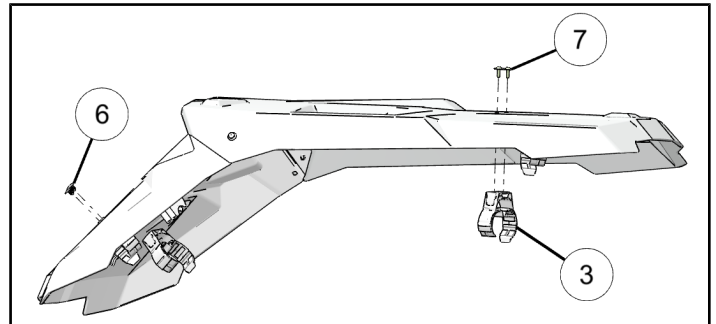


Clamps Installation

- a. For regular models, install four clamps ③ on roof by inserting screws ⑦. Do not tighten at this time.

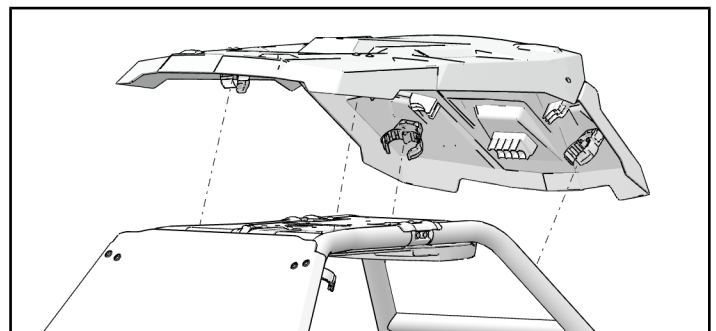


- b. For cab frame extension models, drill two holes on rear roof and install clamps ③ by inserting screws ⑦. Do not tighten at this time. Refer kit drawing on first page for hole locations. Install two plastic darts ⑥ in the molded holes to seal them.

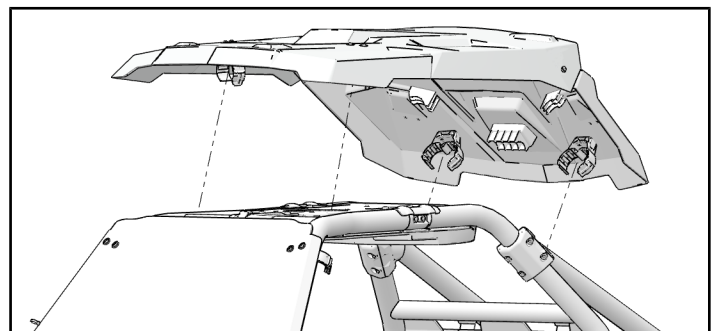


4. Mount roof assembly on top of vehicle and secure with clamps.

- a. Regular models

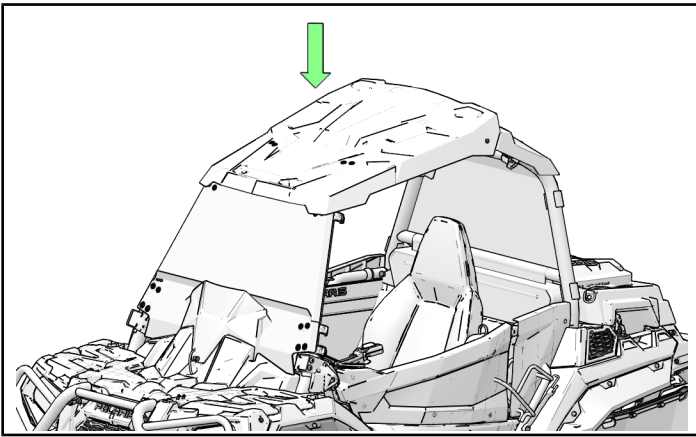


- b. For cab frame extension models

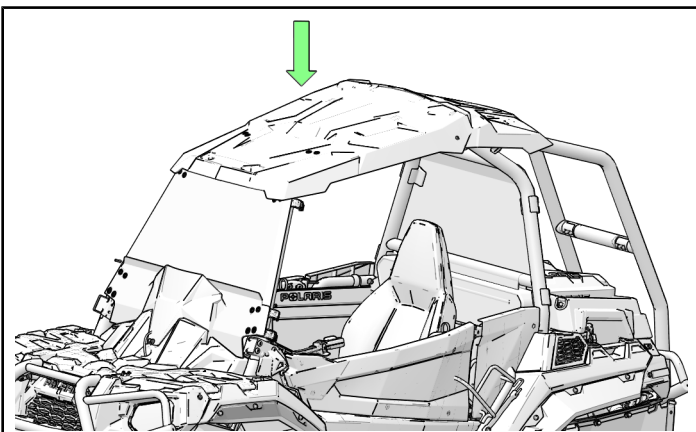


5. In order to lock clamps in place it is necessary to apply downward pressure directly over clamps while squeezing the clamps.

a. **For regular models:** Put pressure directly over clamps as shown. See direction arrow for reference.



b. **For cab frame extension models:** Put pressure directly over clamps as shown. See direction arrow for reference.



IMPORTANT

Ensure that clamps are fully seated.

6. Tighten screws at this time using Torx driver.

TORQUE

8 ft. lbs. (10.8 Nm)

COMPATIBILITY

This roof kit is compatible with below accessories:

1. Windshields
2. Rear Panels
3. Audio Kit (PN 2879703)
4. Cab Frame Extension (PN 2881154)