

# SPARE TIRE MOUNT KIT



**P/N 2881150**

## APPLICATION

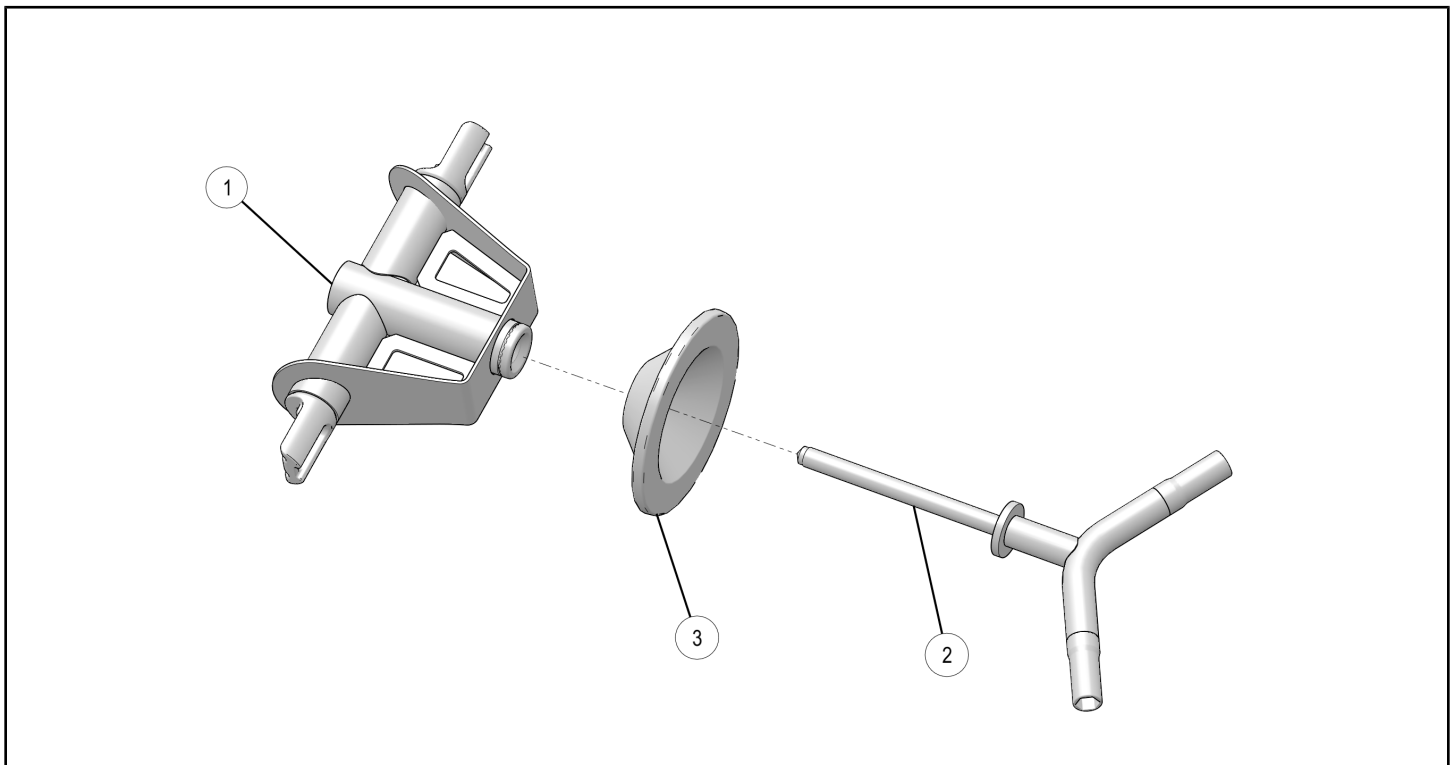
ACE Models

## BEFORE YOU BEGIN

Read these instructions and check to be sure all parts and tools are accounted for. Please retain these installation instructions for future reference and parts ordering information.

## KIT CONTENTS

This Kit includes:



REF	QTY	PART DESCRIPTION	PART NUMBER
1	1	Weld Mount Center, Spare Tire	1021974
2	1	Weld Handle, Spare Tire	1021975
3	1	Retainer Wheel, Spare Tire	5439094
	1	Instructions	9926320

## TOOLS REQUIRED

- Metric Allen Wrench Set

## IMPORTANT

Your SPARE TIRE MOUNT KIT is exclusively designed for your vehicle. Please read the installation instructions thoroughly before beginning. Installation is easier if the vehicle is clean and free of debris. For your safety, and to ensure a satisfactory installation, perform all installation steps correctly in the sequence shown.

## ASSEMBLY TIME

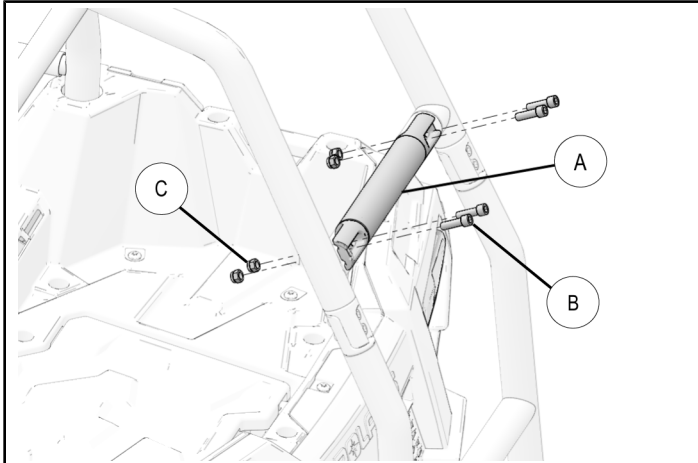
Approximately 10 minutes

### INSTALLATION INSTRUCTIONS

1. Remove center link tube (A) by removing four screws (B) and nuts (C). Discard center link tube and retain hardware for reuse.

#### NOTE

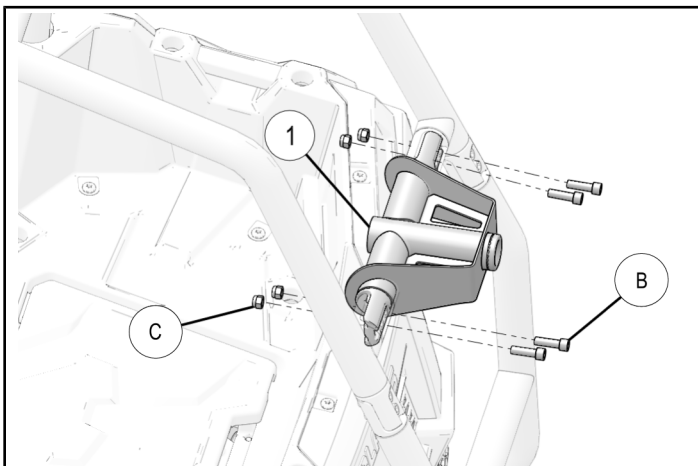
Center link tube (A), screws (B), and nuts (C) are part of Cab Frame Extension Kit (PN 2881154). You need to have Cab Frame Extension Kit pre installed on your vehicle for installing Spare Tire Mount Kit (PN 2881150).



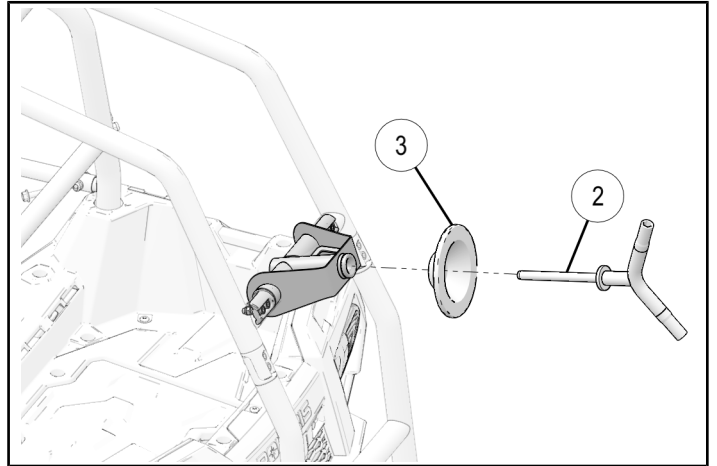
2. Install spare rear tire weld mount (1) in location where center link tube was removed using screws (B) and nuts (C). Ensure that center tire support tube faces out away from vehicle (toward the rear). Torque fasteners to below specifications.

#### TORQUE

28 ft. lbs. (38 Nm)



3. Install wheel/tire assembly on spare tire mount (remove wheel center cap if installed). Center the wheel on tire mount. Place retainer wheel (3) into center of the wheel hub and insert spare tire handle assembly (2) through the retainer wheel. Rotate tire handle assembly to tighten it on the retainer wheel. Tighten tire handle assembly until tire is properly secured.



4. Check spare tire weld mount at every stop or every 50 miles to ensure tire handle assembly is still secure. Check tightness of all fasteners on cab frame extension and tire weld mount before and after each ride.