

# OUTLAW® 70 FRONT BUMPER KIT



P/N 2884567

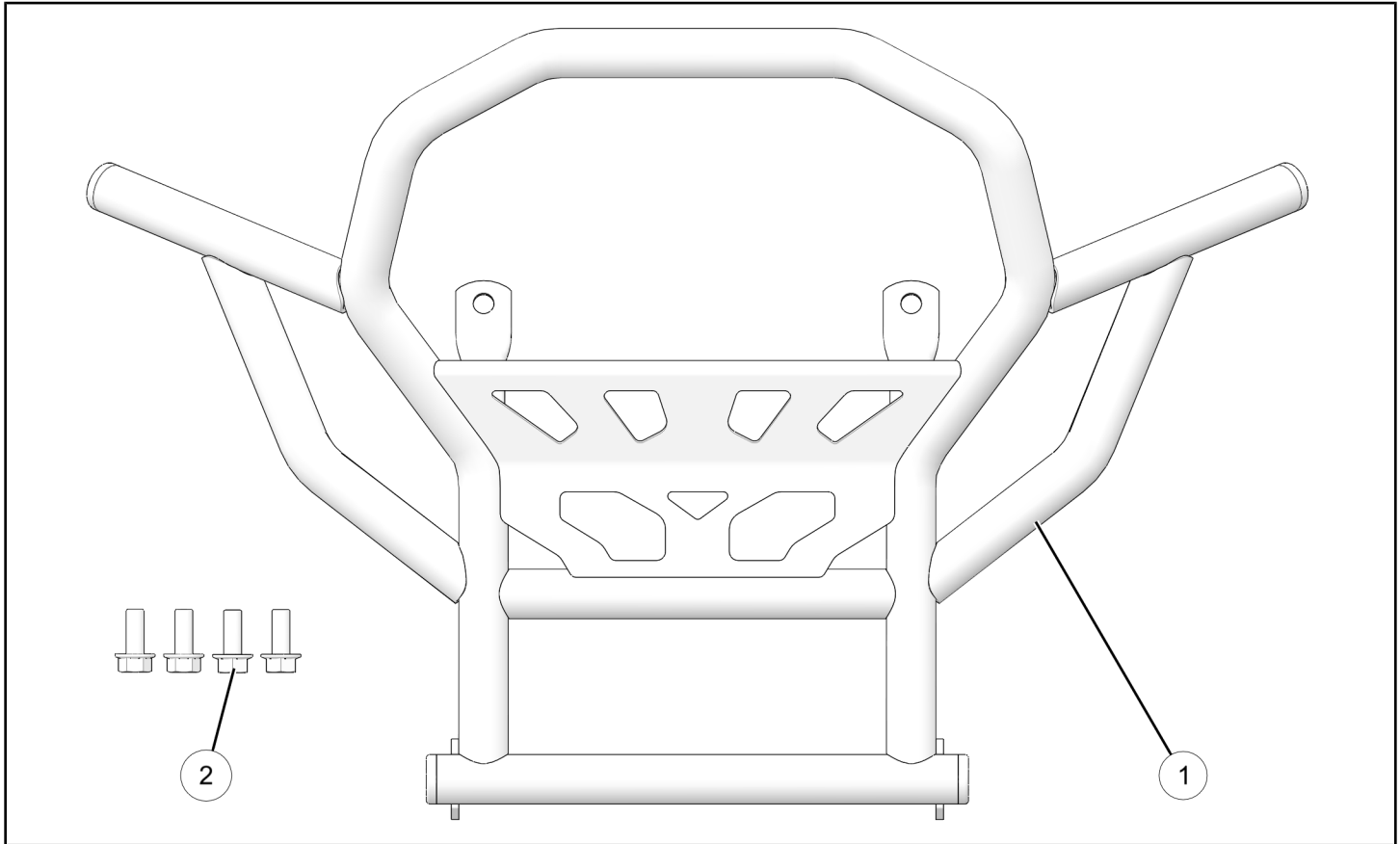
## APPLICATION

Verify accessory fitment at [www.polaris.com](http://www.polaris.com).

## BEFORE YOU BEGIN

Read these instructions and check to be sure all parts and tools are accounted for. Please retain these installation instructions for future reference and parts ordering information.

## KIT CONTENTS



REF	QTY	PART DESCRIPTION	P/N AVAILABLE SEPARATELY	AVAILABLE SERVICE KIT
1	1	Front Bumper	-	-
2	4	Screw	-	2208357

## TOOLS REQUIRED

- Safety Glasses
- Pliers, Push Pin Rivet
- Socket Set, Metric
- Torque Wrench

## CONSUMABLES REQUIRED

None

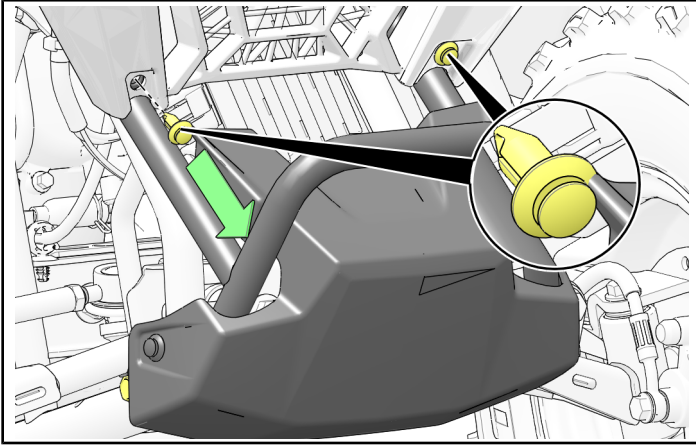
## IMPORTANT

Your Outlaw® 70 Front Bumper Kit is exclusively designed for your vehicle. Please read the installation instructions thoroughly before beginning. Installation is easier if the vehicle is clean and free of debris. For your safety, and to ensure a satisfactory installation, perform all installation steps correctly in the sequence shown.

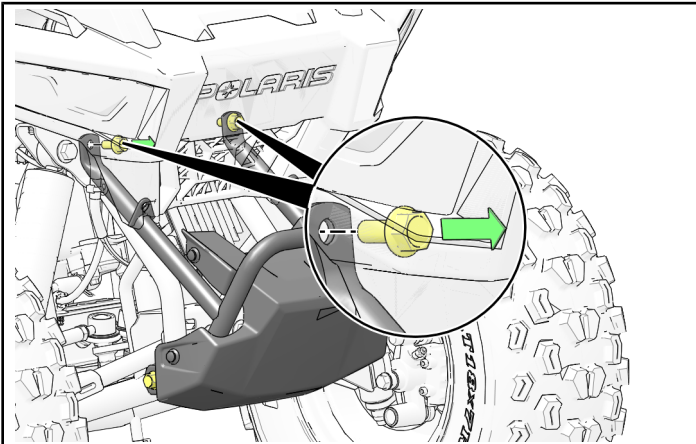
## INSTALLATION INSTRUCTIONS

### VEHICLE PREPARATION

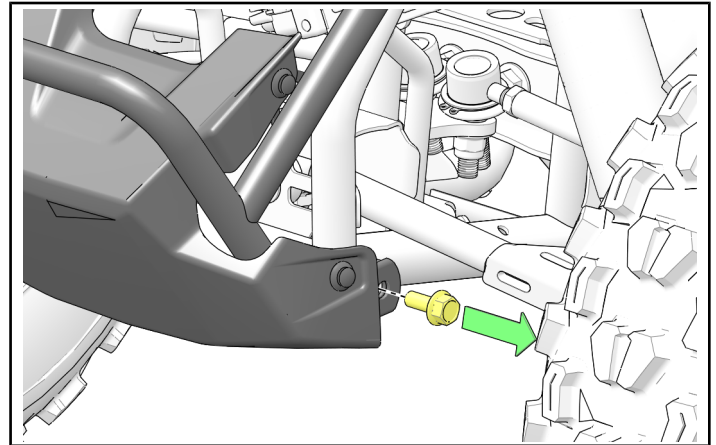
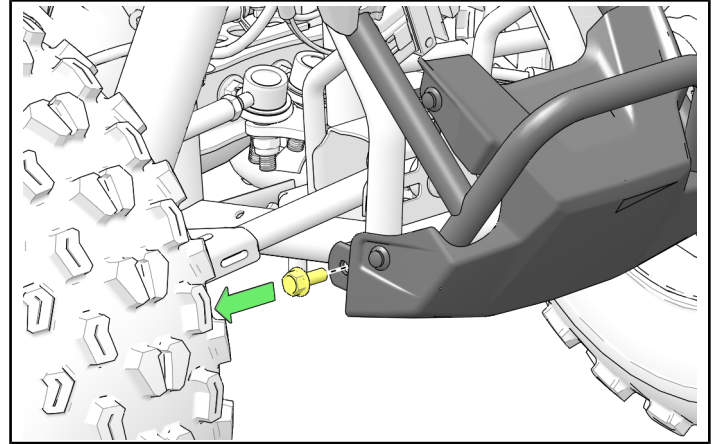
1. Remove two push pin rivets connecting front fascia to bumper.



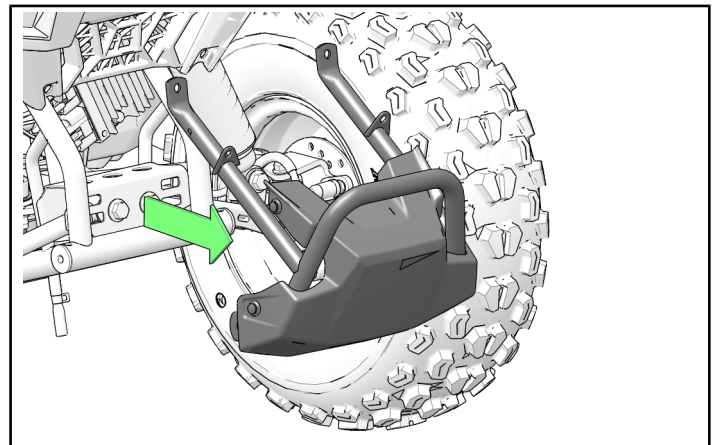
2. Remove two upper mounting bolts.



3. Remove two lower mounting bolts.

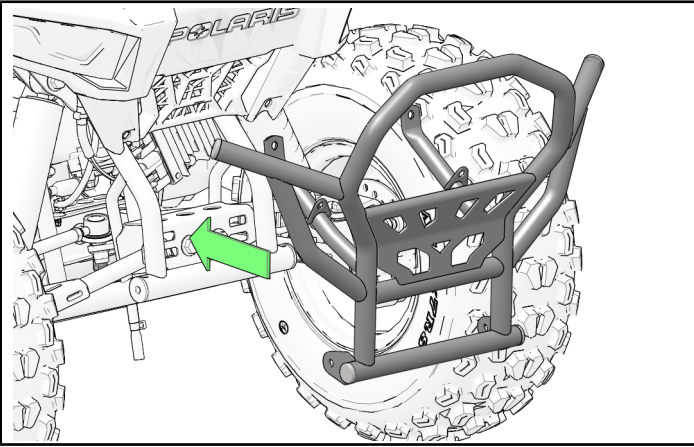


4. Remove front bumper assembly.

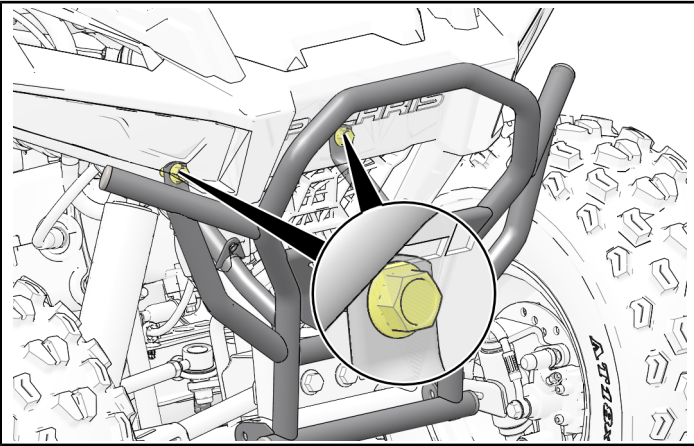


## ACCESSORY INSTALLATION

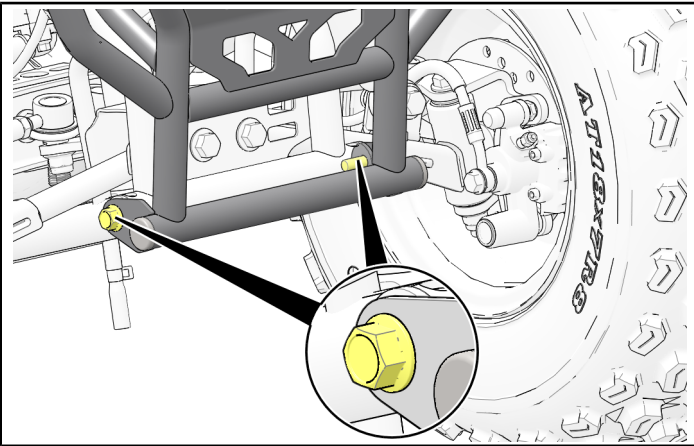
1. Place new bumper assembly ① into position.



2. Loosely install the provided two upper mounting bolts ②. DO NOT TIGHTEN at this time.



3. Install provided two lower mounting bolts ②.

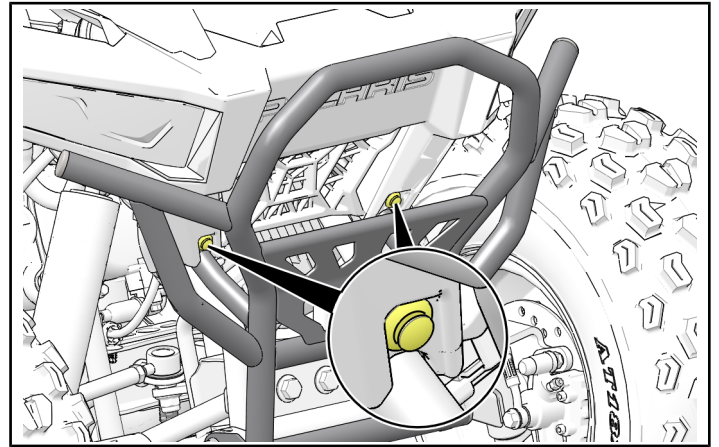


4. Torque all four mounting bolts to specification provided.

### NOTE

18 ft-lbs (23 N·m)

5. Reinstall two previously removed push pin rivets.



6. Verify all tools are accounted for and all steps have been completed.

## FEEDBACK FORM

A feedback form has been created for the installer to provide any comments, questions or concerns about the installation instructions. The form is viewable on mobile devices by scanning the QR code or by clicking [HERE](#) if viewing on a PC.

